

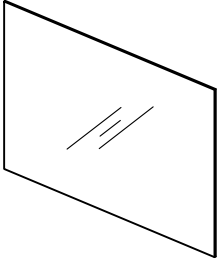
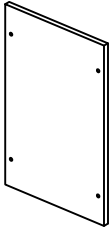
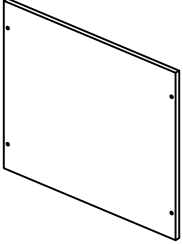
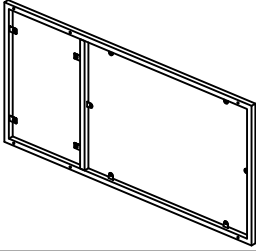
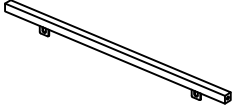
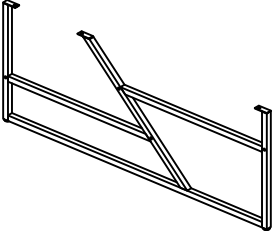
ASSEMBLY INSTRUCTION

Coffe Table





1.Extra Screws of B/C/D are provided in case of any screws missing in the boxes.

2.Please take the time to identify and count all parts as well as the hardware to this product.

PART LIST

		
① x1PC	② x1PC	③ x2PCS
		
④ x1PC	⑤ x4PCS	⑥ x2PCS

HARDWARE

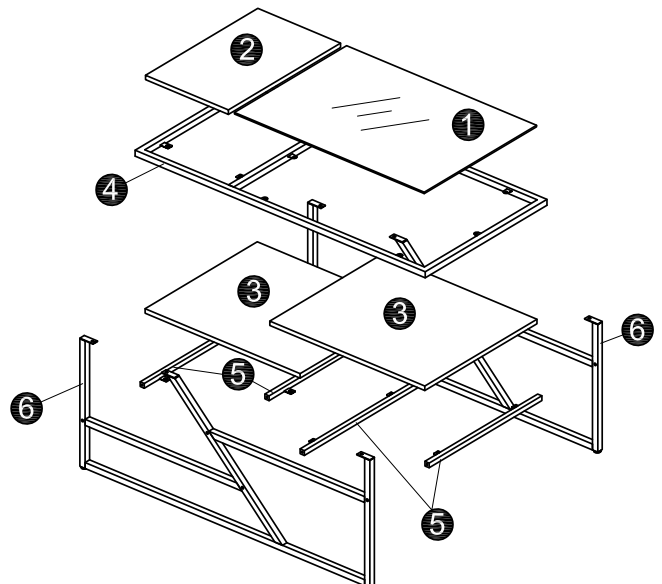
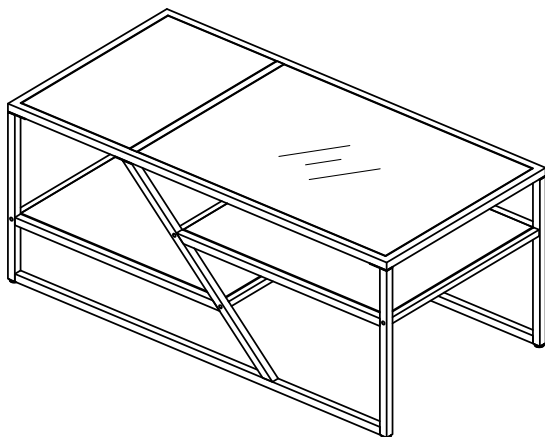
	 M6*12mm	 M6*40mm	
A x1PC	B x18PCS	C x8PCS	D x6PCS

Noted:

1.It is recommended that this item should be assembled by two adults.

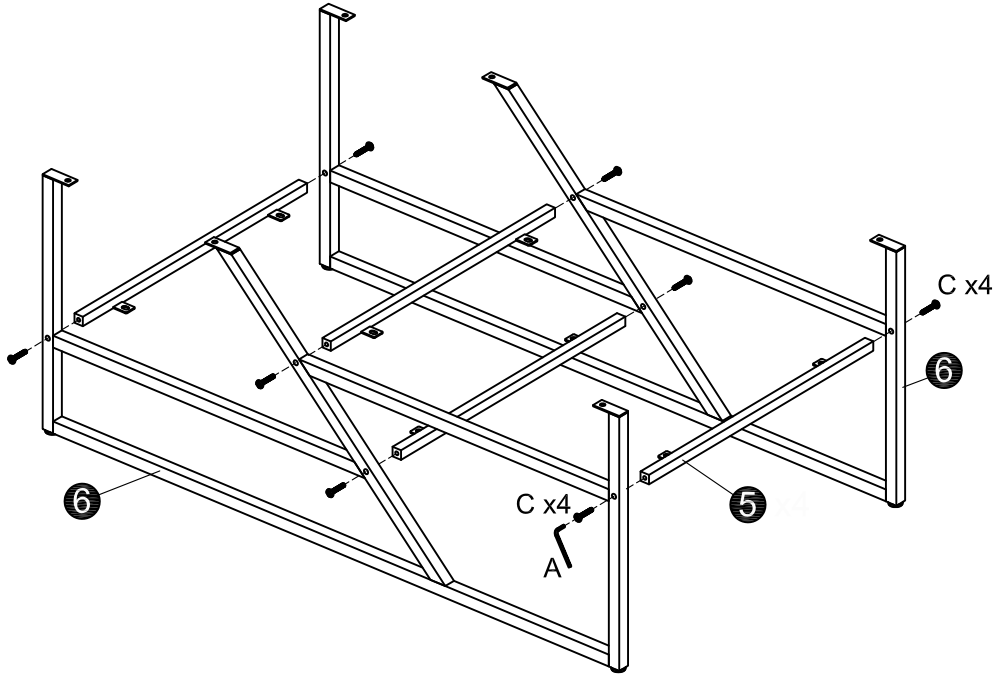
2.Assemble this item on a soft surface. such as cardboard or carpet. to protect finish.

Thank You for Purchasing Our Furniture.
It's an Honor to Be in Your Home!



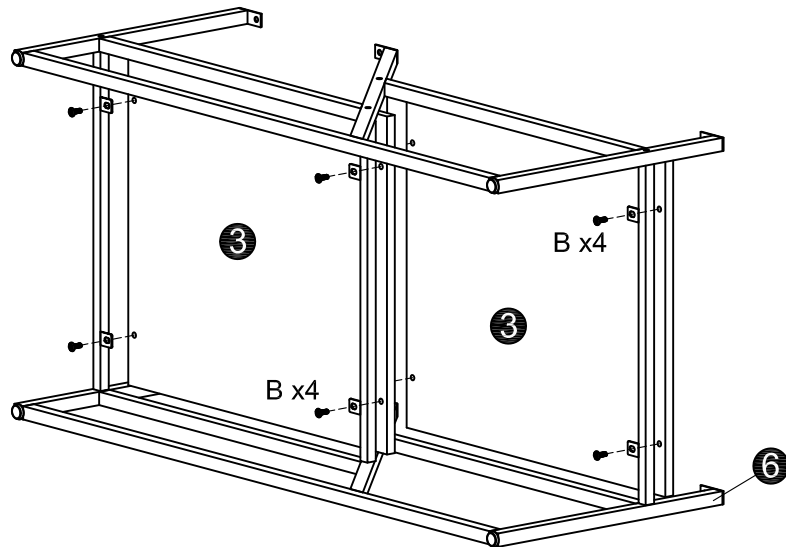
NOTED:Pls do not tighten all bolts until the products is assembled completely.

Step 1



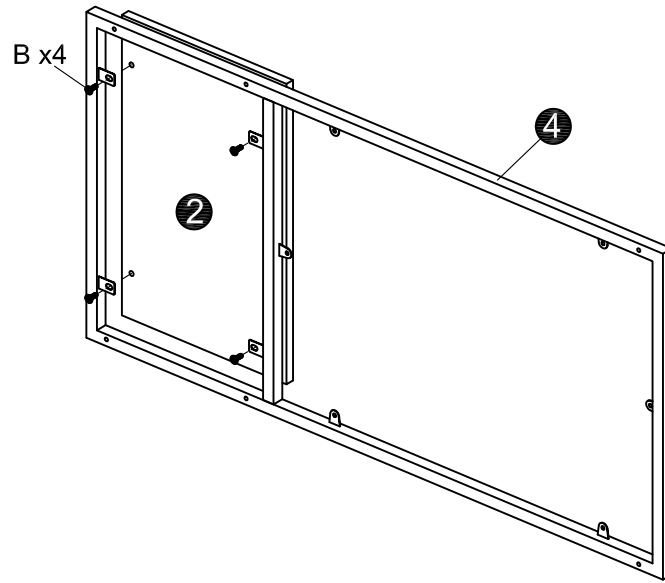
A	└	1PC
C	⚫	8PCS


Step 2



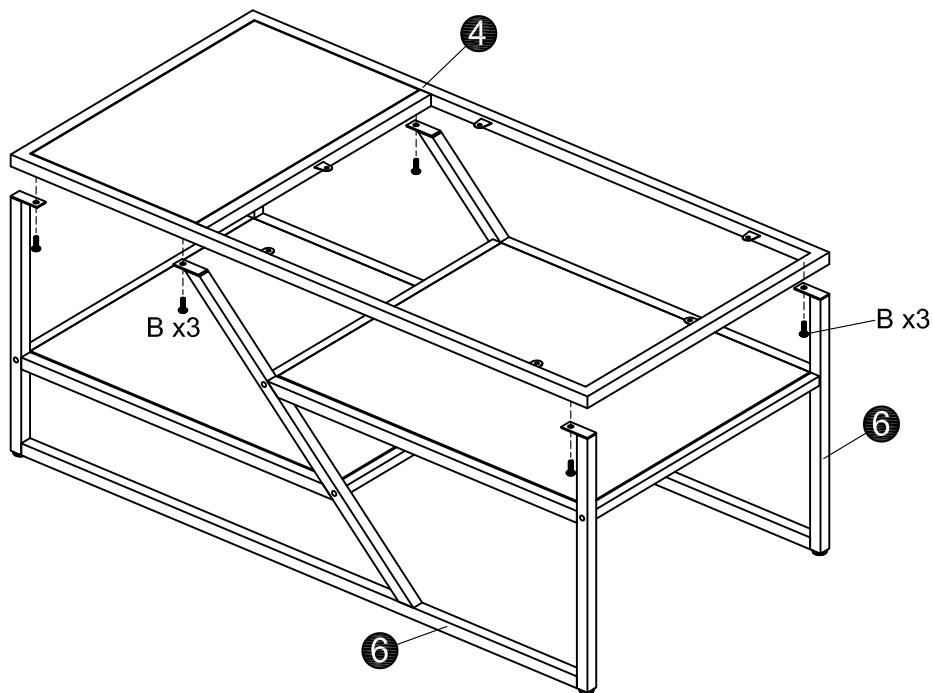
B	⚫	8PCS
---	---	------


Step 3



B  4PCS

Step 4



B  6PCS

Step 5

