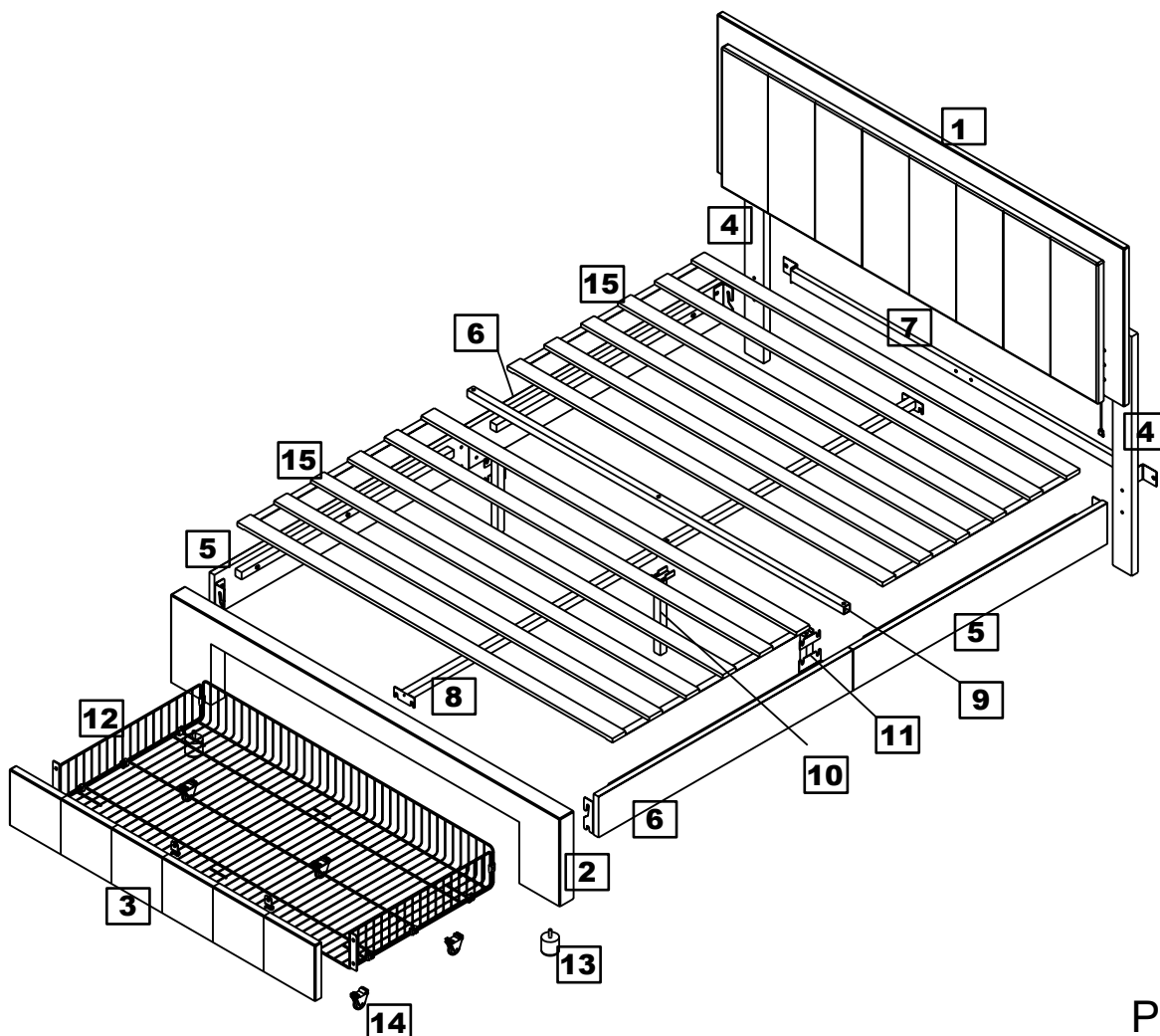
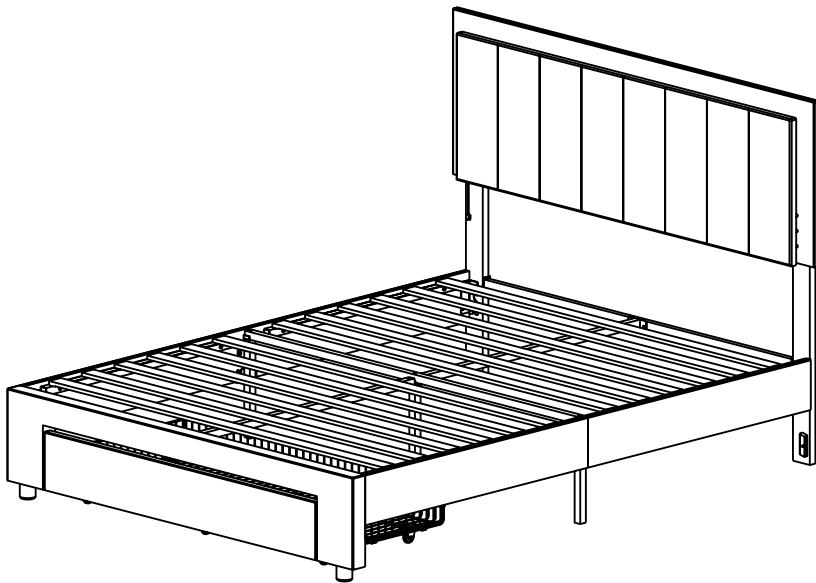


ASSEMBLY INSTRUCTION

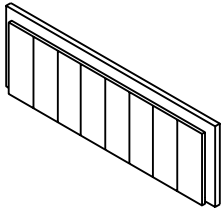
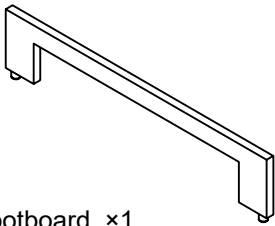
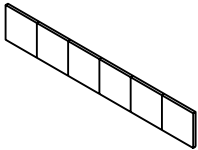

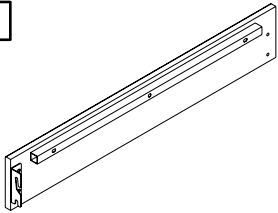
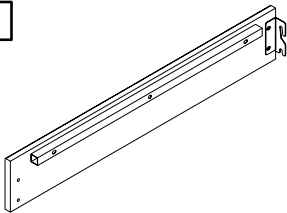
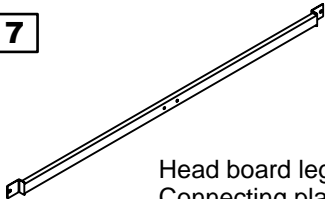
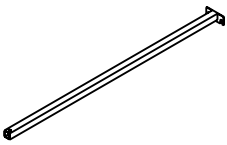
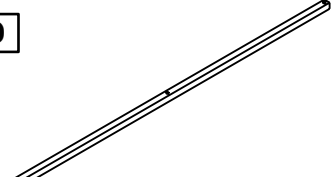
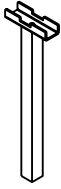

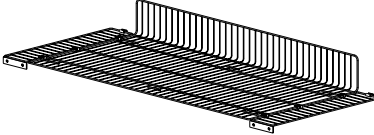

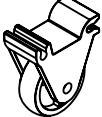
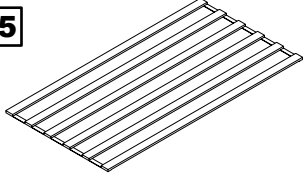
WF309409AAK/AAB

TIPS

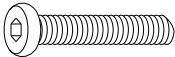
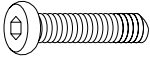
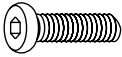
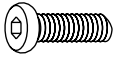
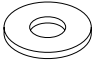


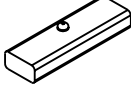
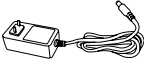

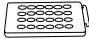

1. Please read the instructions fully before assembly. These instructions include important information which could ensure correct assembly. We have been working on providing high quality products for you. However, in the rare instance that your product is defective, missing parts or there are some issues, please don't hesitate to contact our customer service to submit parts requirements, assembly suggestion, or warranty claims, and we will give the best solution as soon as possible. If necessary, we need you to provide some more clear pictures of the issue.
2. Insert the screws in holes and tighten the screws, but not too tight, 70%~80% is ok, finally tighten all the screws. If some issues happened that some screws can not target to the hole or some parts are difficult to install, please adjust the tightness of the screws.
3. 2 people are recommended to finish



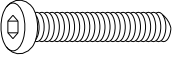
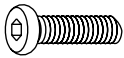

WF309409AAK/AAB

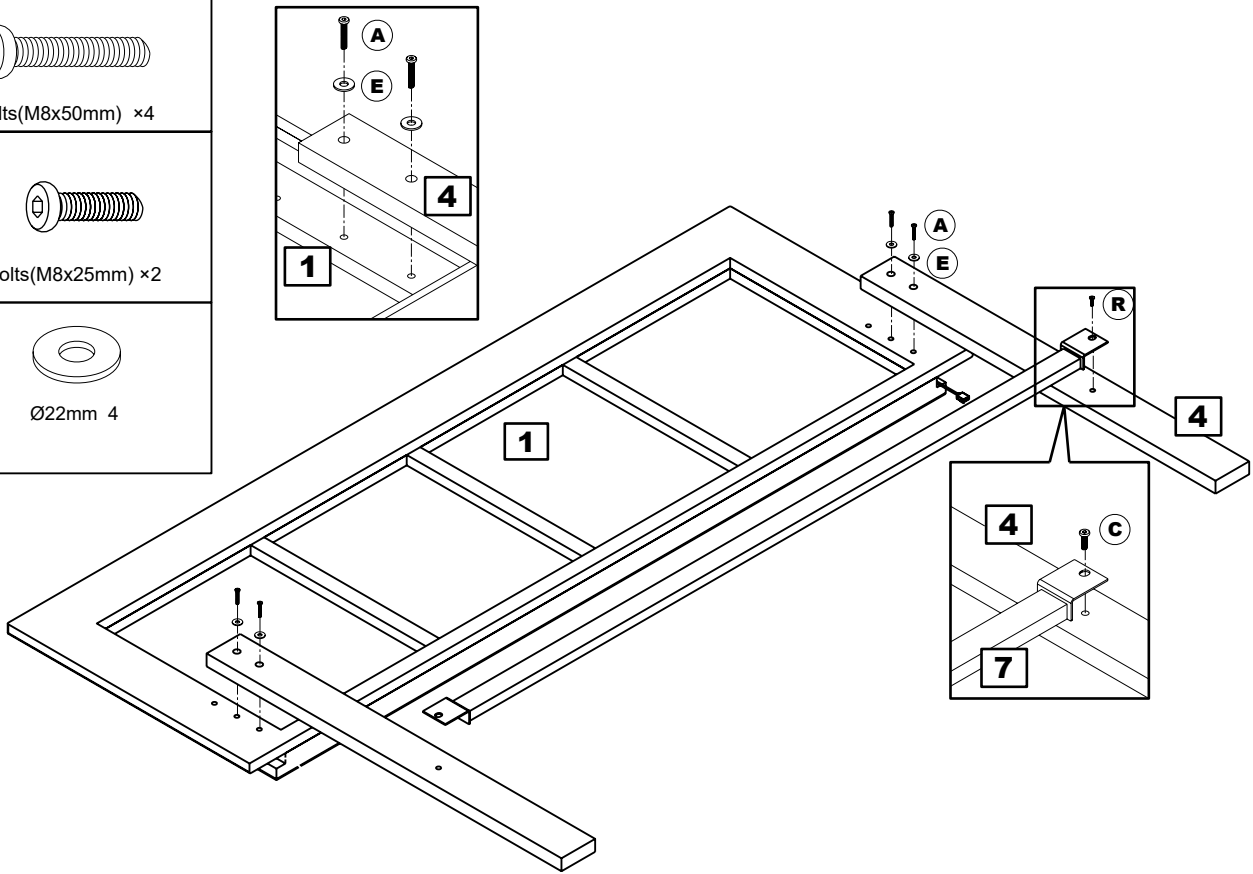
<p>1</p>  <p>Headboard ×1</p>	<p>2</p>  <p>Footboard ×1</p>	<p>3</p>  <p>Drawer panel ×1</p>
<p>4</p>  <p>Head board leg ×2</p>	<p>5</p>  <p>Side Rails ×2</p>	<p>6</p>  <p>Side Rails ×2</p>
<p>7</p>  <p>Head board leg Connecting plate ×1</p>	<p>8</p>  <p>support tube ×2</p>	<p>9</p>  <p>Central tube ×1</p>
<p>10</p>  <p>Middle support leg ×1</p>	<p>11</p>  <p>Connected support leg ×2</p>	<p>12</p>  <p>Drawer ×1</p>
<p>13</p>  <p>Leg ×2</p>	<p>14</p>  <p>Wheel ×6</p>	<p>15</p>  <p>Slats ×12</p>

WF309409AAK/AAB

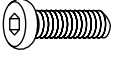
A  Bolts(M8x50mm) ×5	B  Bolts(M8x40mm) ×4	C  Bolts(M8x25mm) ×10	D  Bolts(M8x18mm) ×18
E  Ø22mm 4	F  M5 x 10mm 2X	G  Allen Key ×1	H  Induction lamp ×2
J  LED Power Transformer ×1	K  Controller ×1	L  Remote Control ×1	M  Connector ×2

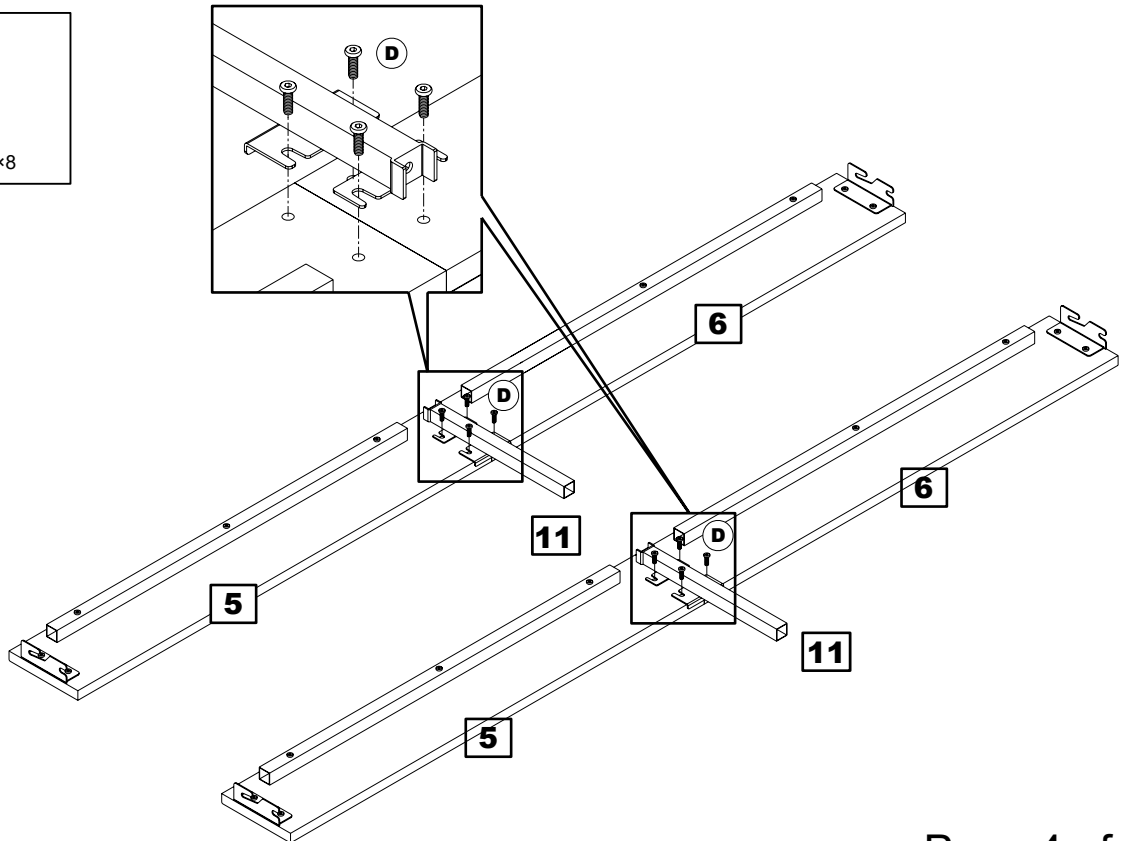
Step 1

- A**

Bolts(M8x50mm) ×4
- C**

Bolts(M8x25mm) ×2
- E**

Ø22mm 4

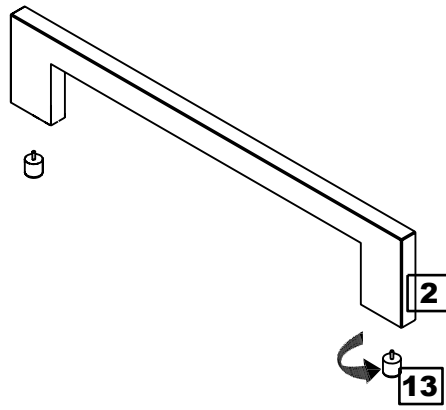


Step 2

- D**

Bolts(M8x18mm) ×8

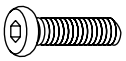


Step 4

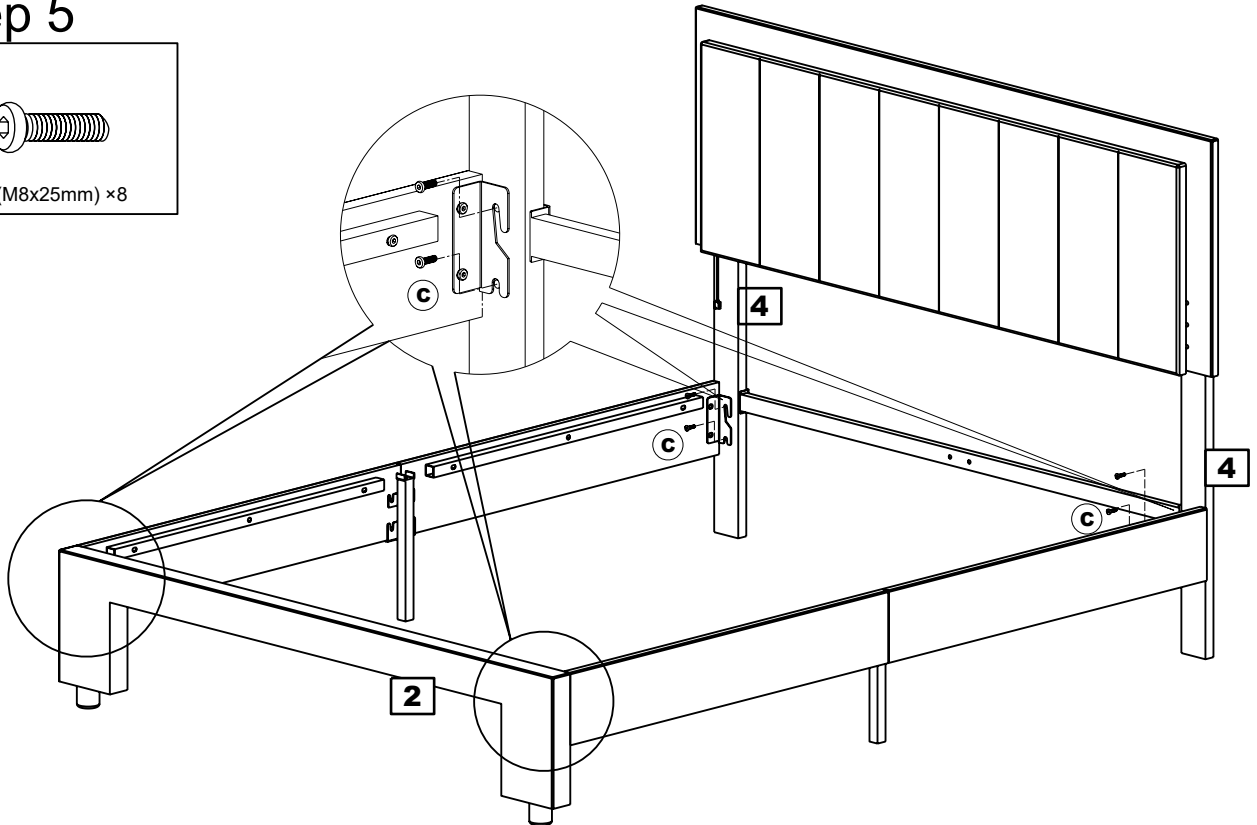


Step 5

C

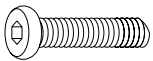


Bolts(M8x25mm) ×8

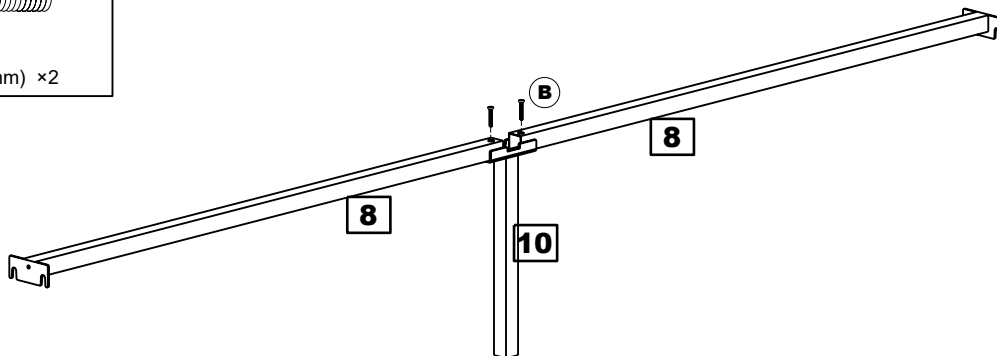


Step 6

B

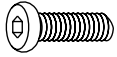


Bolts(M8x40mm) ×2

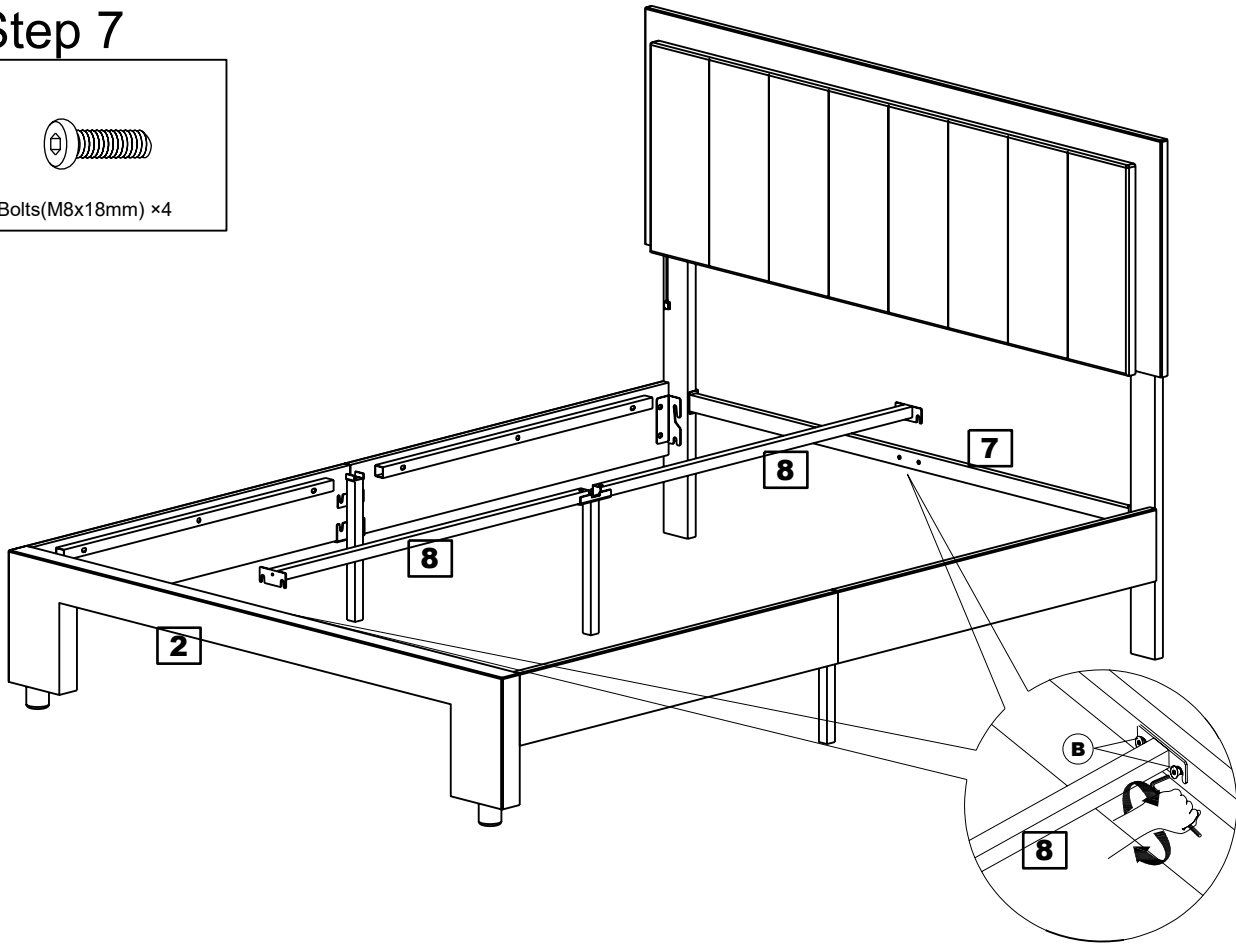


Step 7

D



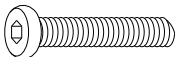
Bolts(M8x18mm) ×4



Fix the center support rod (6) to the head board cross bar (5) and the footboard with bolts (C) using an Allen wrench (G).

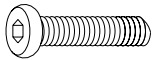
Step 8

A

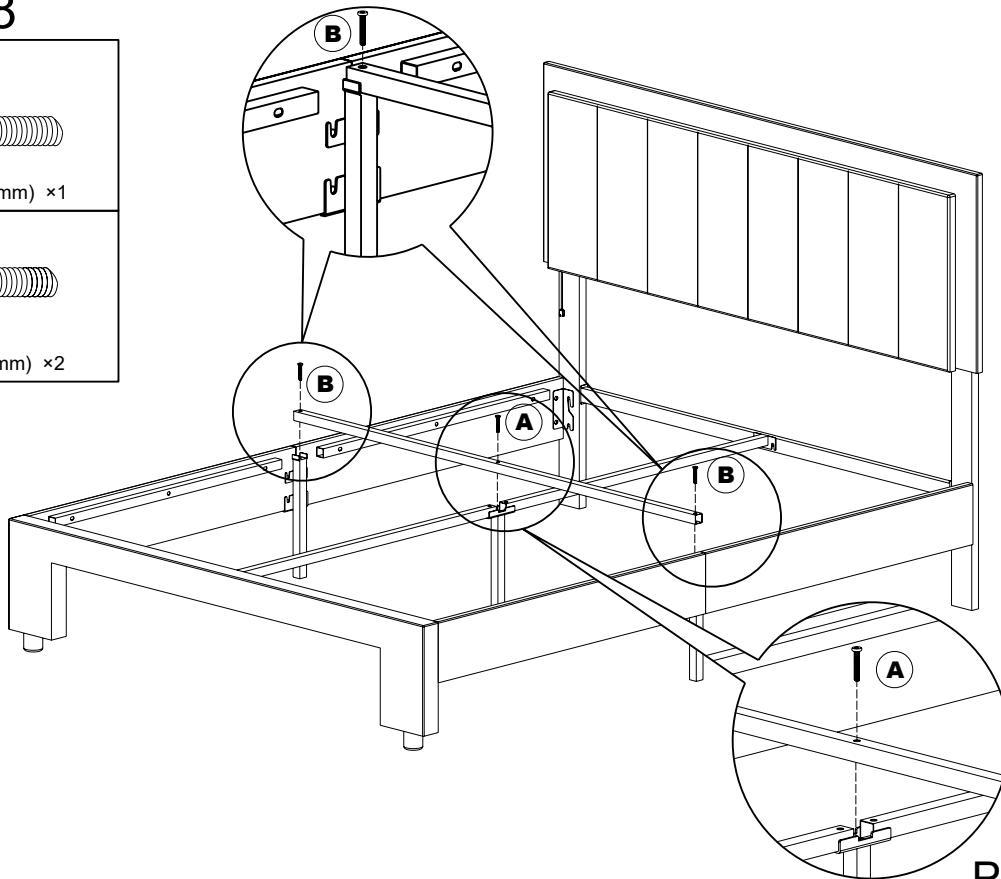


Bolts(M8x50mm) ×1

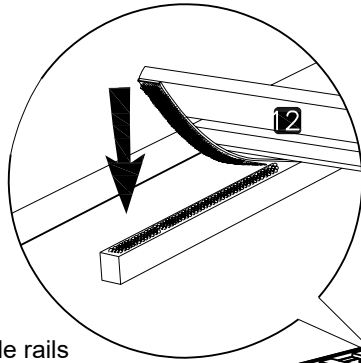
B



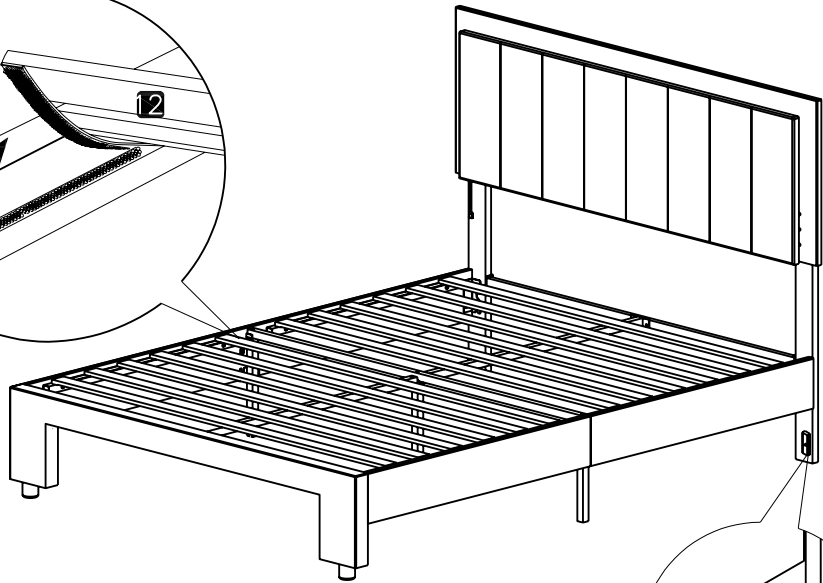
Bolts(M8x40mm) ×2



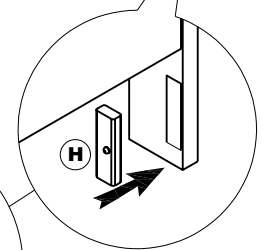
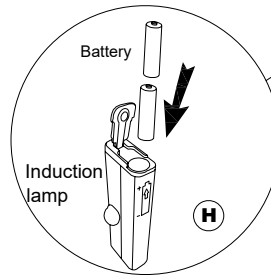
Step 9



Paste slats (15) onto side rails



Purchase two No. 7 batteries, open the sensor lamp battery cover and install it into the battery back cover, tear off the double-sided adhesive tape and stick it to the lower end of the head board leg (4). (It will light up only when the light is dark, and it will not light up when the light is normal).

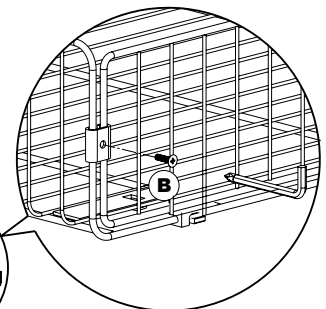
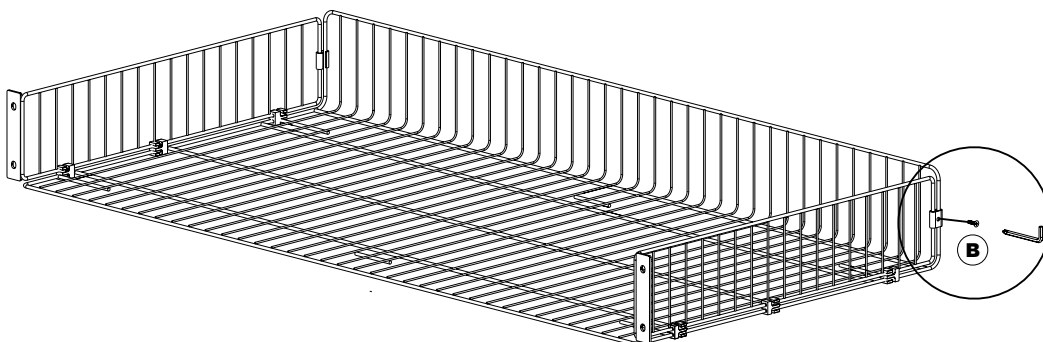
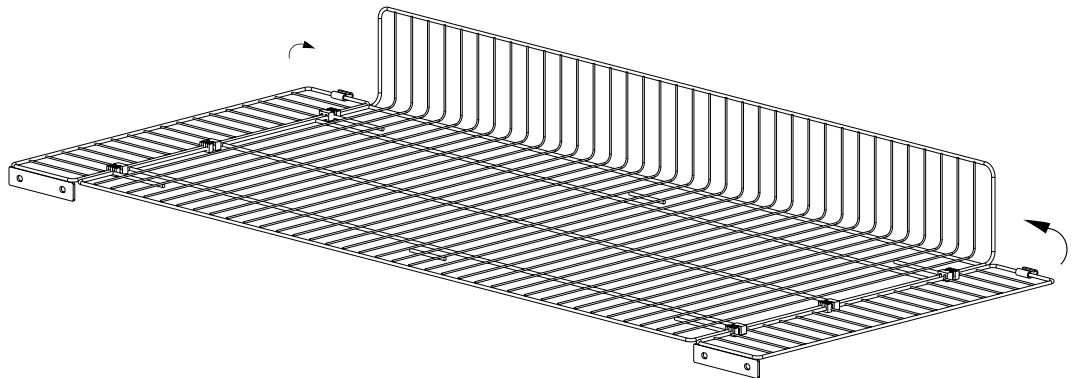


Step 8

F

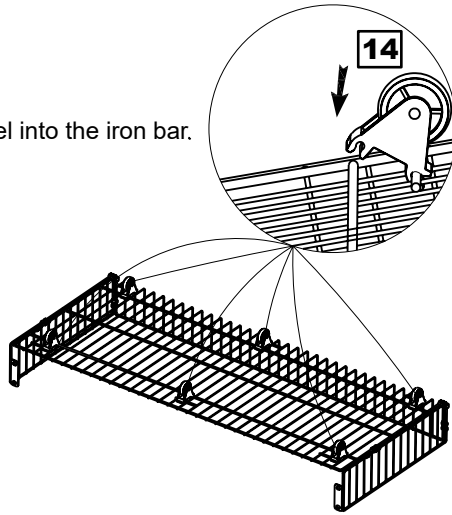


M5 x 10mm 2X

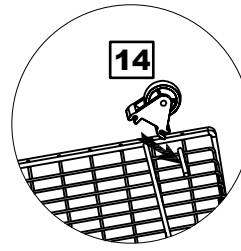


Step 9

ii) Clip the wheel into the iron bar.

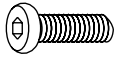


i) Clip the wheel into the iron bar.

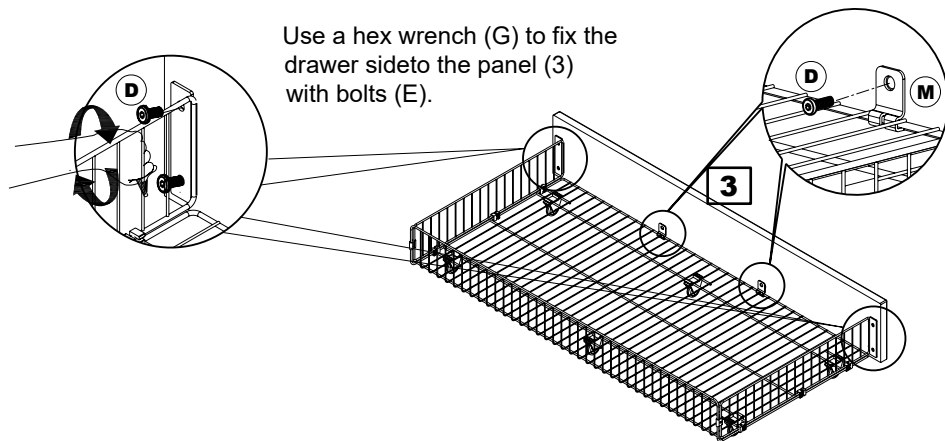


Step 10

D



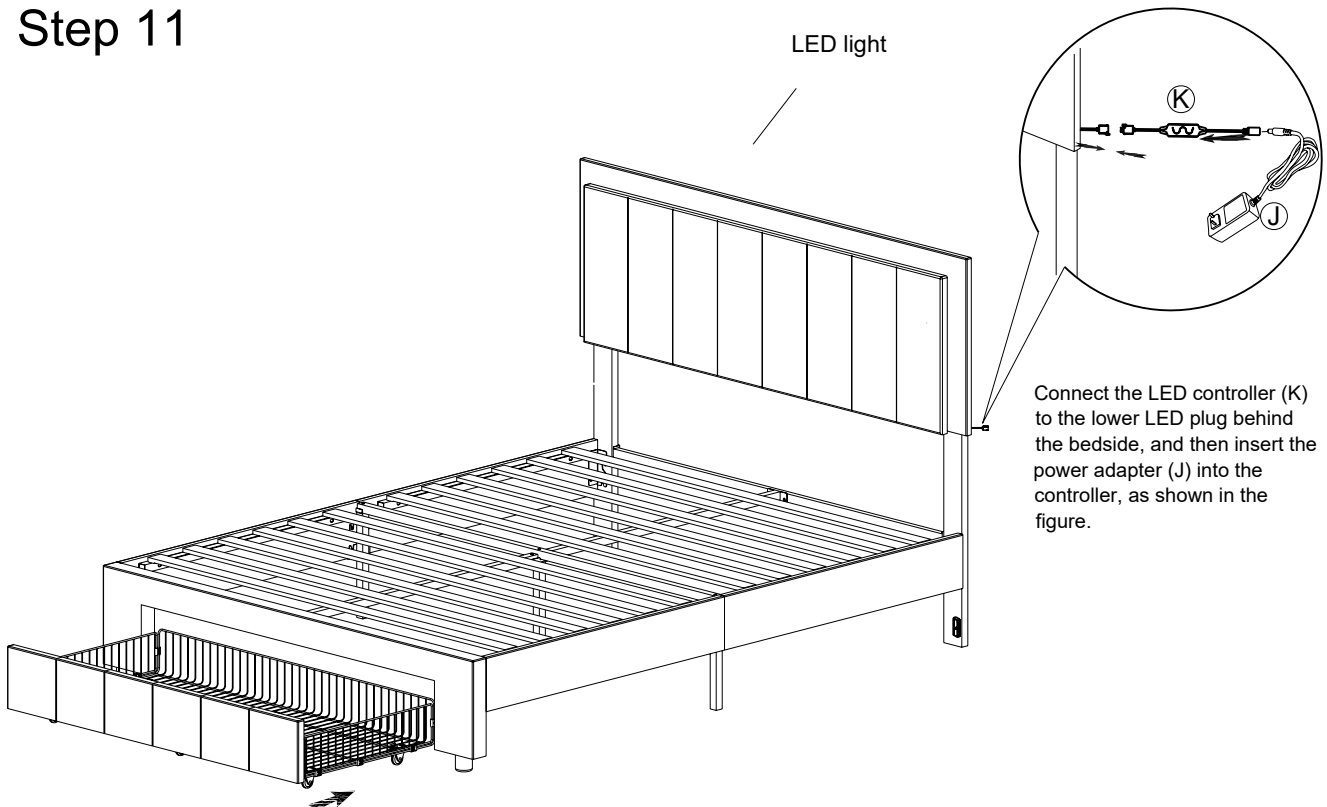
Bolts(M8x18mm) ×6



Use a hex wrench (G) to fix the drawer side to the panel (3) with bolts (E).

Step 11

LED light

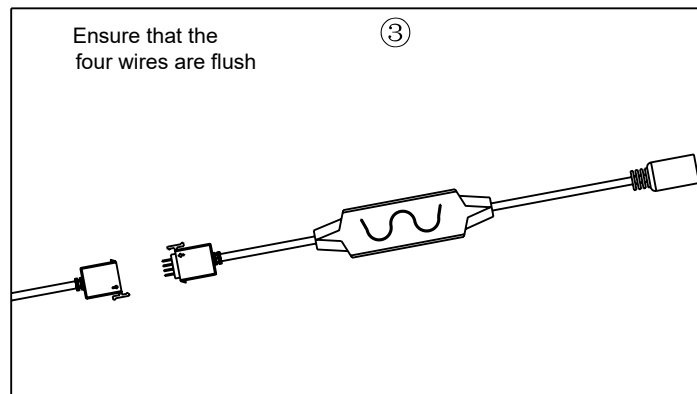
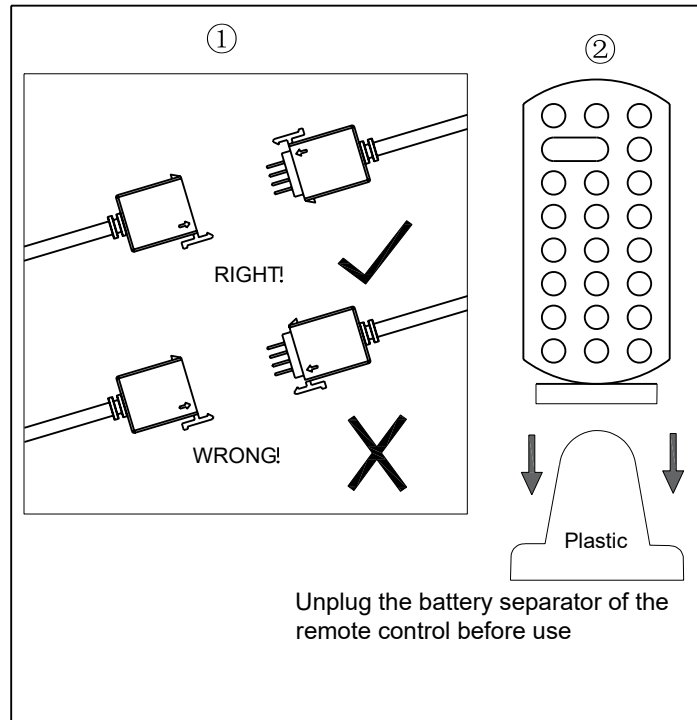


Connect the LED controller (K) to the lower LED plug behind the bedside, and then insert the power adapter (J) into the controller, as shown in the figure.

LED light

If you can't let the lights work successfully, please check the following:

1. Please check the direction of the connect, try it in the opposite direction, according to the following picture.
2. Please check the remote control, it need you to tear down the plastic septum before use it.
3. If one of the colors is not bright, please check whether the four wires in the plug are skewed, and move the main line to make the four wires flush.



1. Please check the direction of the arrow
2. Please pull the plastic block out of the remote control
3. Please check whether the four wires of the plug are neat

! WARNING

THIS PRODUCT CONTAINS A BUTTON BATTERY

If swallowed, a lithium button battery can cause severe or fatal injuries within 2 hours.

Keep batteries out of reach of children.

If you think batteries may have been swallowed or placed inside any part of the body, seek immediate medical attention.