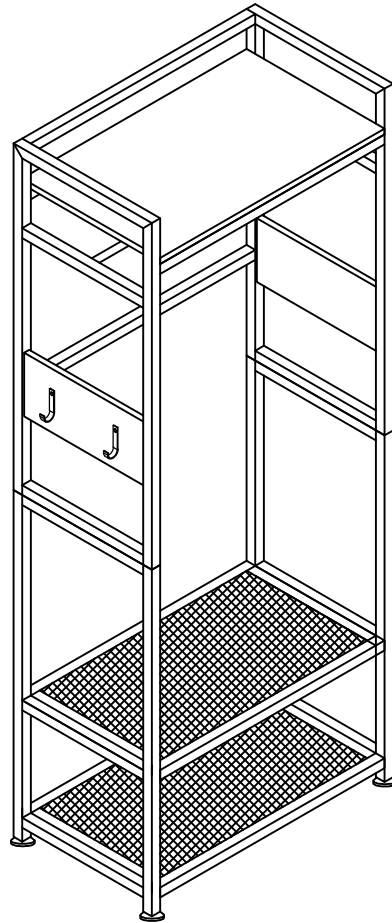
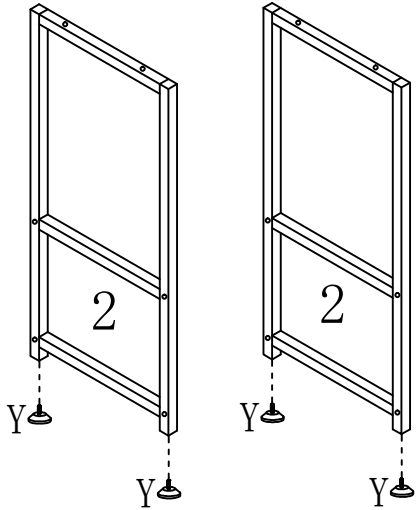



Tribesigns Coat rack

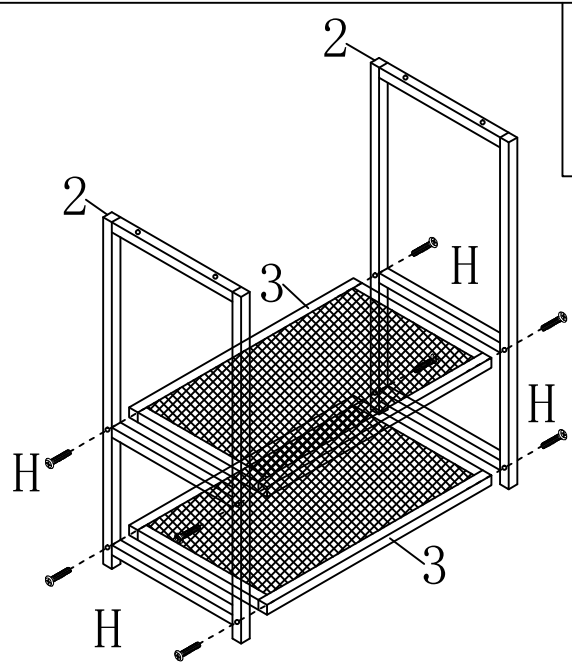



Notes: Don't tighten screws completely at first, just in case parts were assembled wrong and need disassemble. Tighten screws at last when all parts are put together

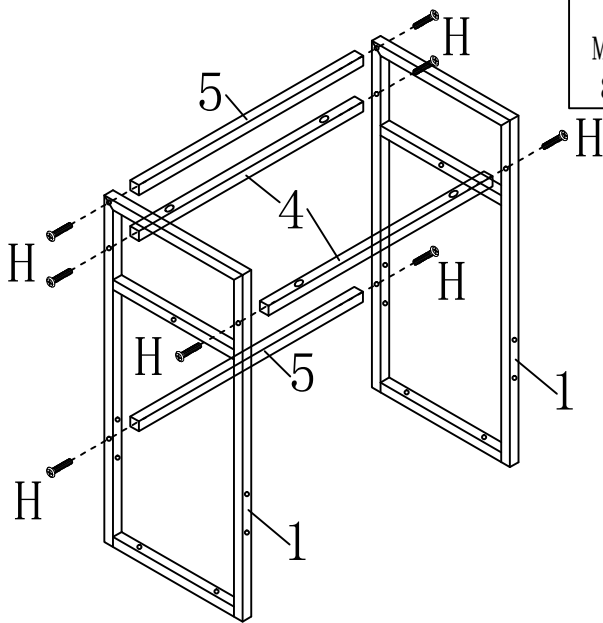
<p>1</p> <p>2PCS</p>	<p>2</p> <p>2PCS</p>	<p>3</p> <p>2PCS</p>	<p>4</p> <p>2PCS</p>	<p>5</p> <p>2PCS</p>					
		<p>6</p>	<p>7</p>	<p>8</p> <p>2PCS</p>					
<p>C</p> <p>M5X60 8PCS</p>	<p>G</p> <p>M6X35 4PCS</p>	<p>H</p> <p>M6X40 18PCS</p>	<p>K</p> <p>M6X60 4PCS</p>	<p>V</p> <p>M6 4PCS</p>	<p>Y</p> <p>M8 4PCS</p>	<p>W</p> <p>4PCS</p>	<p>Q</p> <p>M5X16 4PCS</p>	<p>Z</p> <p>2PCS</p>	



Y

 M8
 4PCS

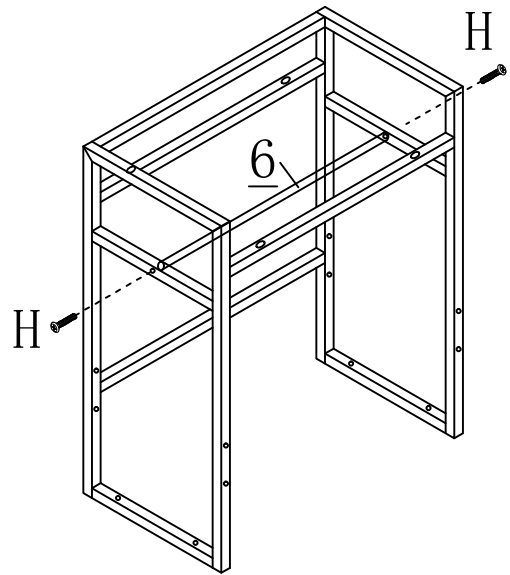



H

 M6X40
 8PCS

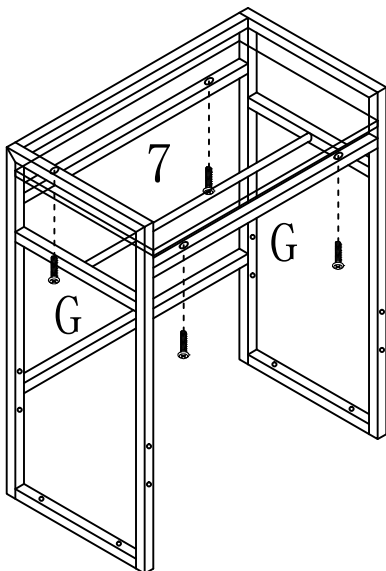


H

 M6X40
 8PCS

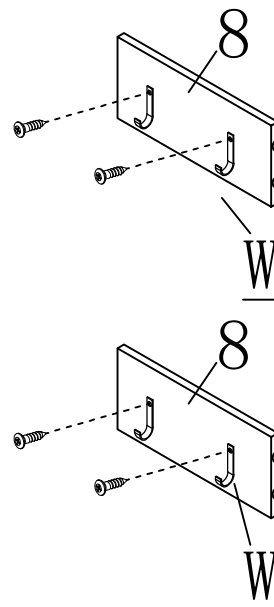



H

 M6X40
 2PCS



G

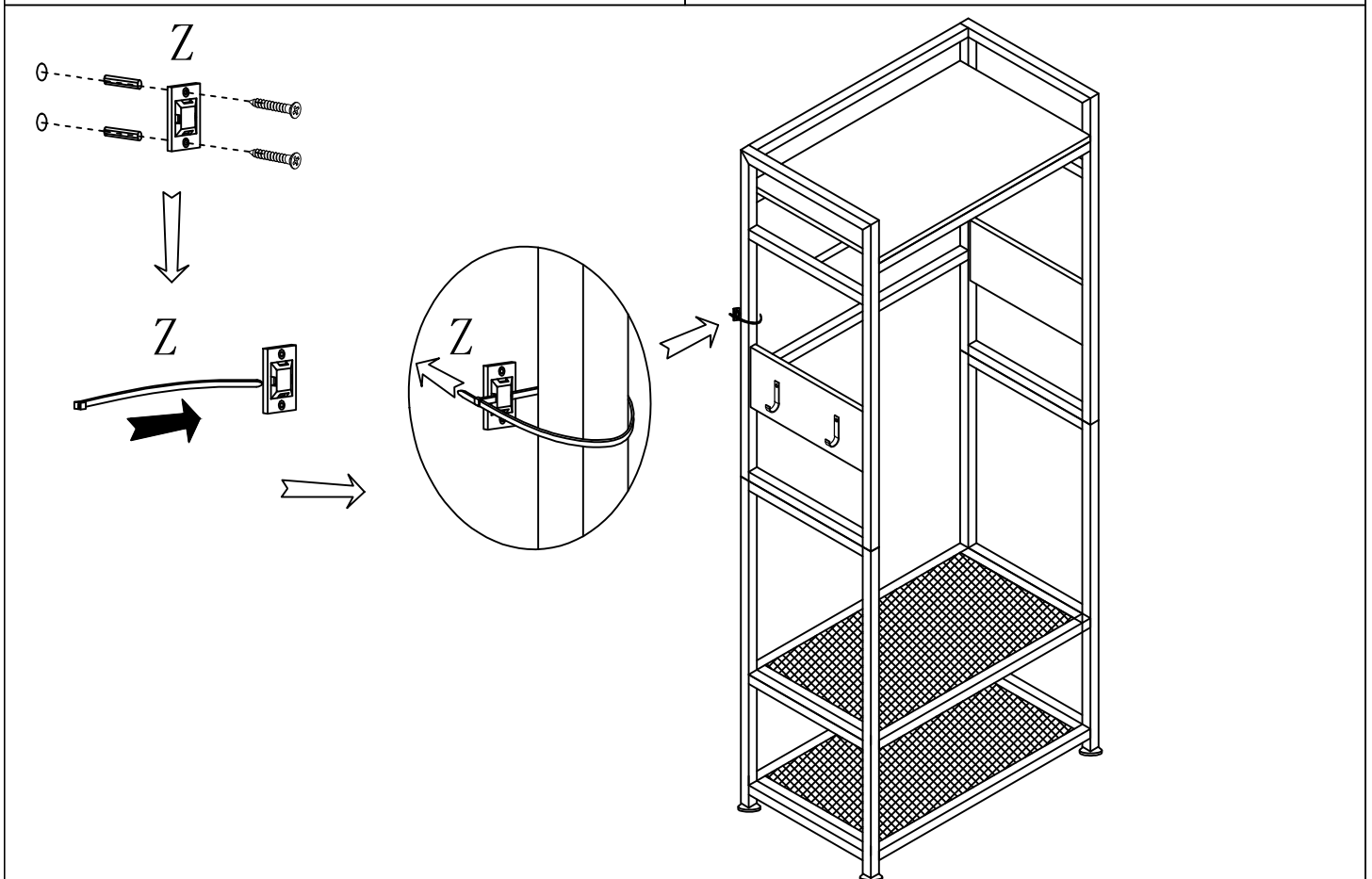
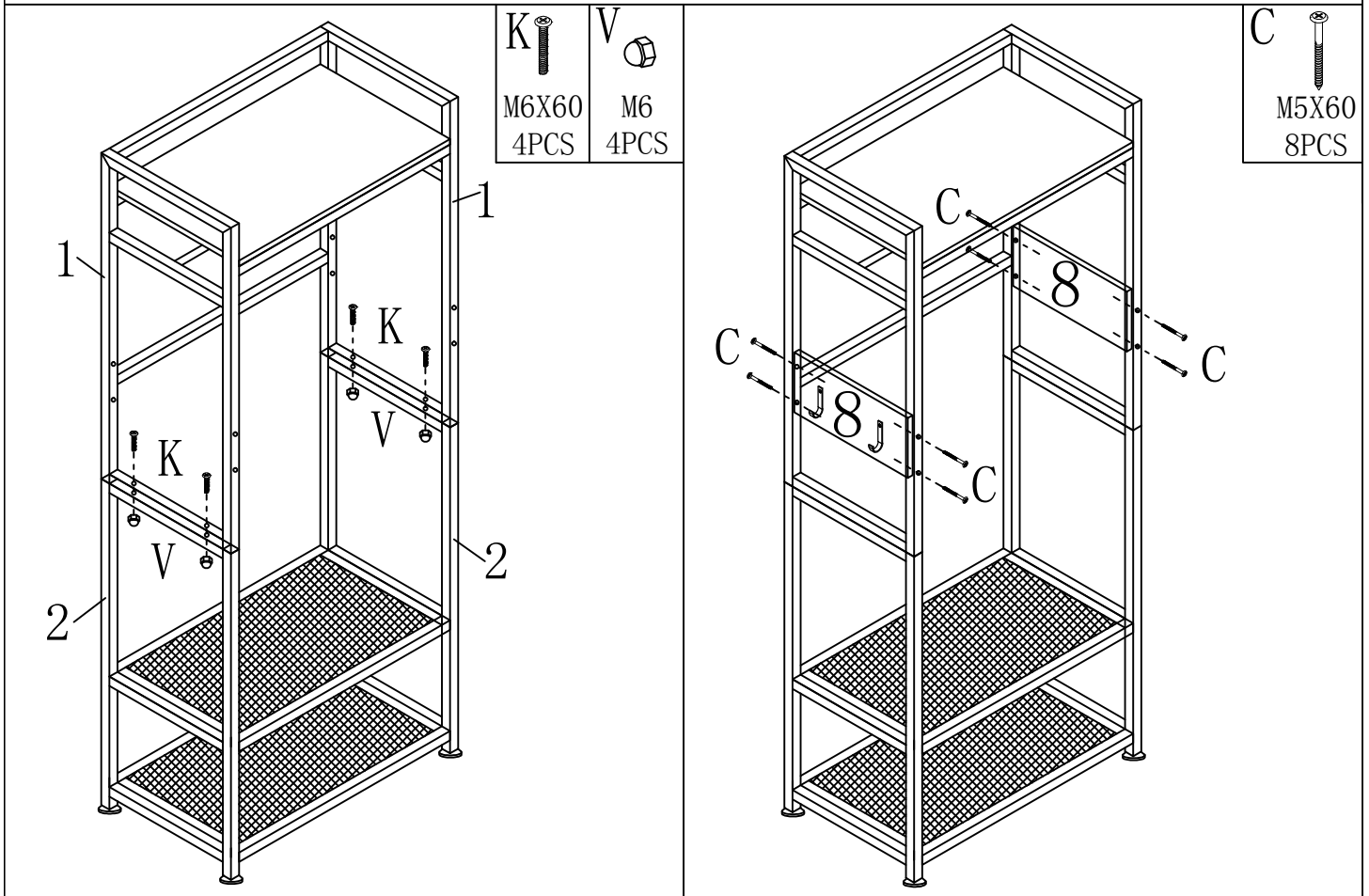
 M6X35
 4PCS



W

 4PCS

Q

 M5X16
 4PCS



Thanks for choosing Tribesigns File cabinets , your satisfaction is our priority.
If you have any installation problems or any damages caused by shipping, feel free to contact us at " support@tribesigns.com ", our friendly customer service will solve problem for you
www.tribesigns.com