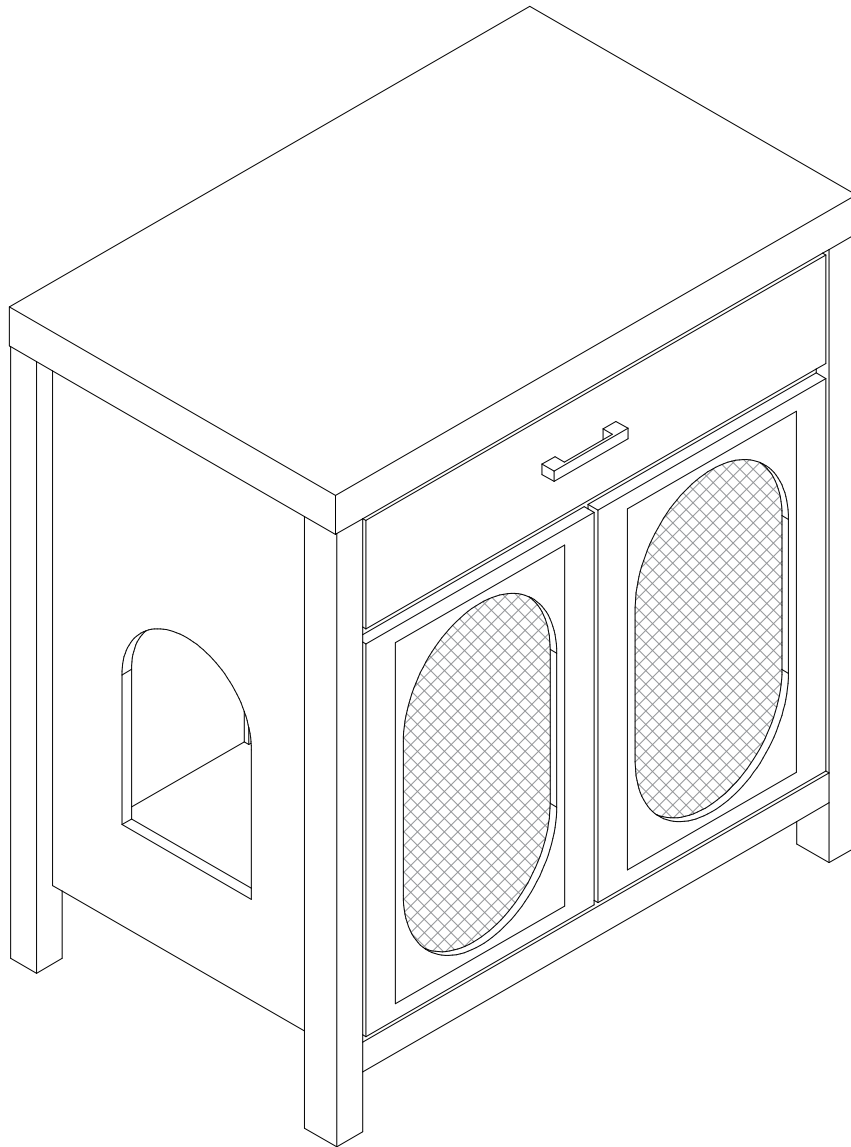
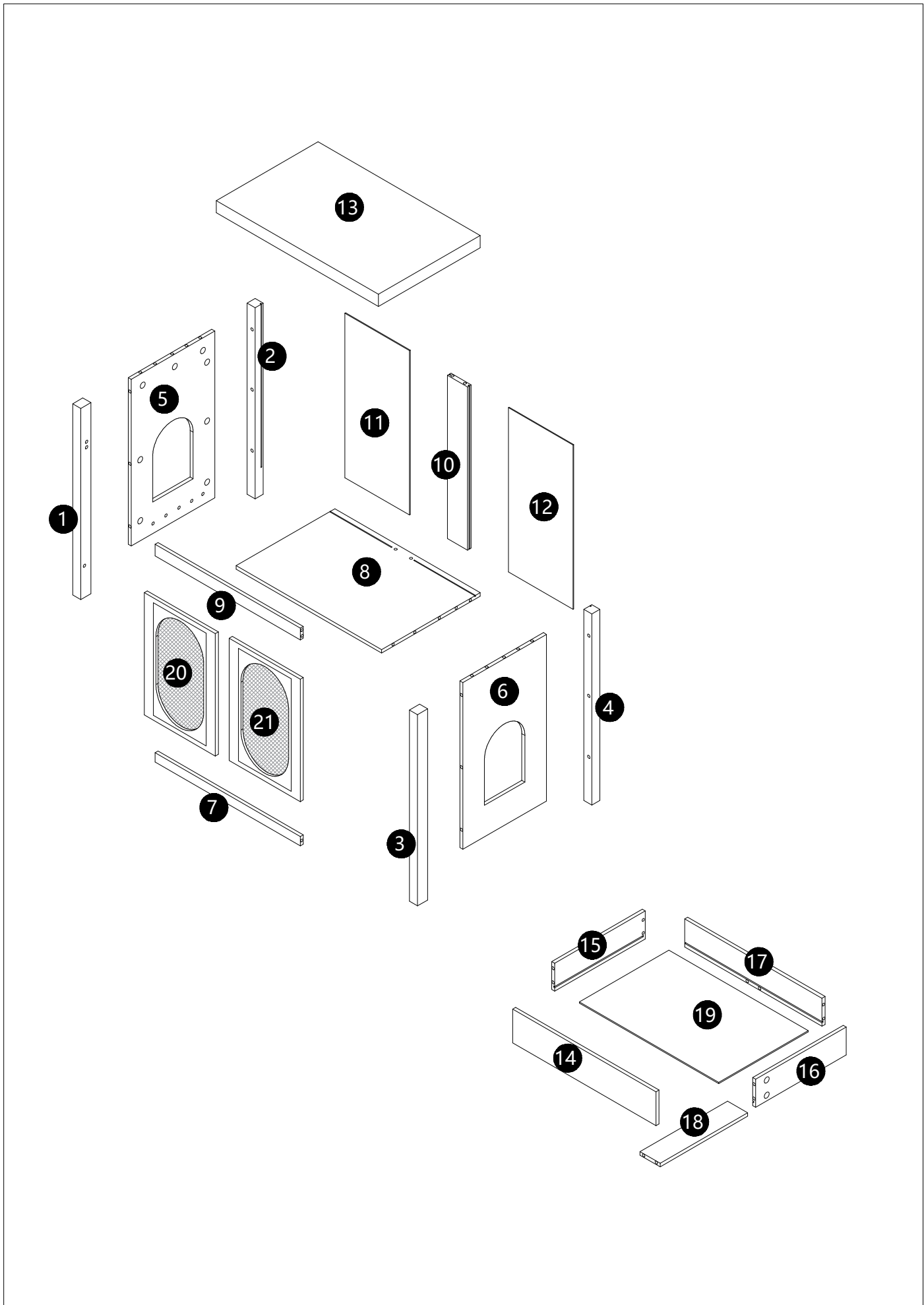

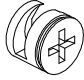
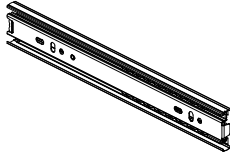
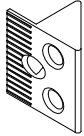
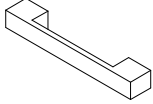
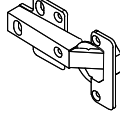
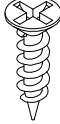
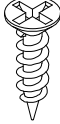
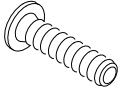

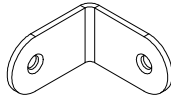
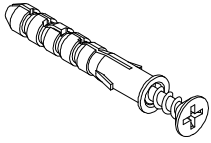


N704P379111N&N704P379111P

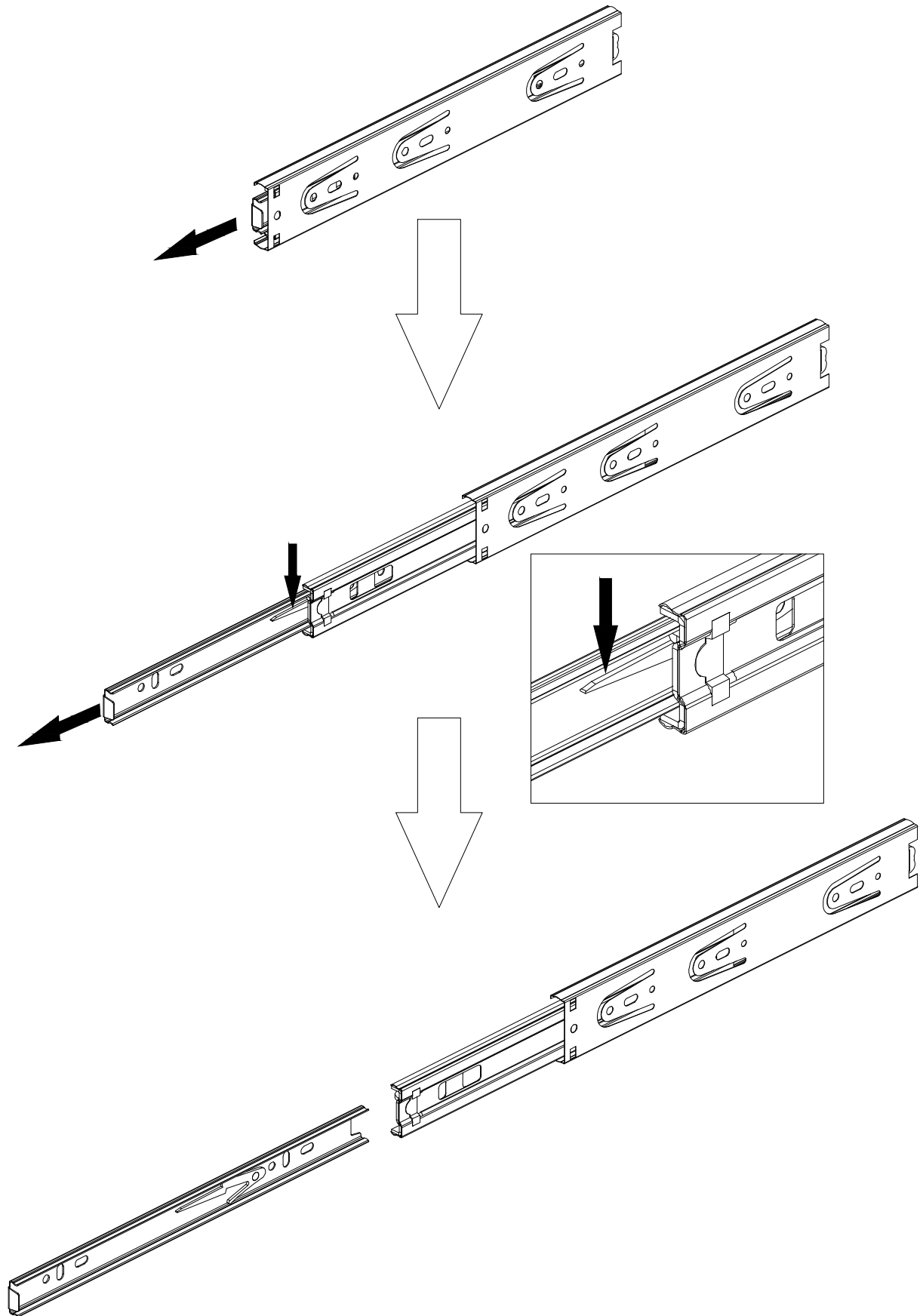
Assembly Instruction



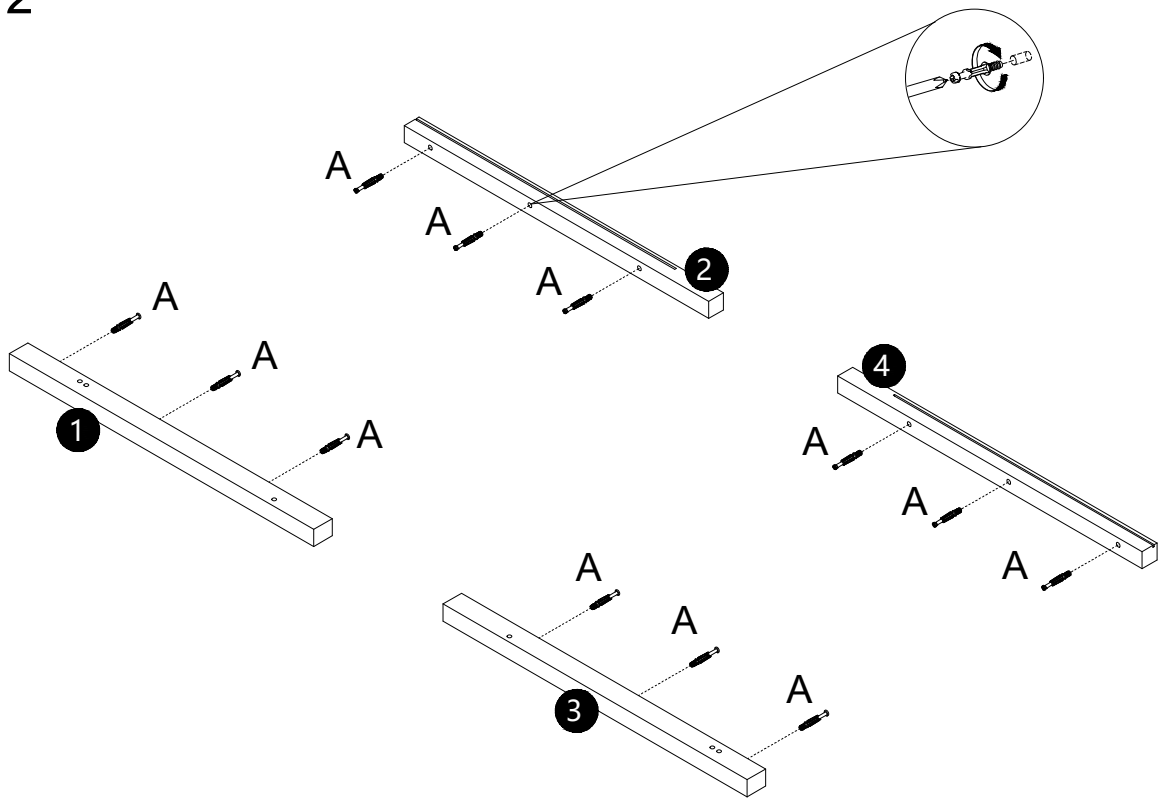


<p>A</p>  <p>49PCS</p>	<p>B</p>  <p>49PCS</p>	<p>C</p>  <p>2PCS</p>	<p>D</p>  <p>6PCS</p>
<p>E</p>  <p>1PCS</p>	<p>F</p>  <p>4PCS</p>	<p>G</p>  <p>∅3.5x15mm 48PC</p>	<p>H</p>  <p>∅3.5x20mm 6PCS</p>
<p>J</p>  <p>∅4x18mm 2PCS</p>	<p>K</p>  <p>8PCS</p>	<p>L</p>  <p>2PCS</p>	<p>M</p>  <p>2PCS</p>

Step 1

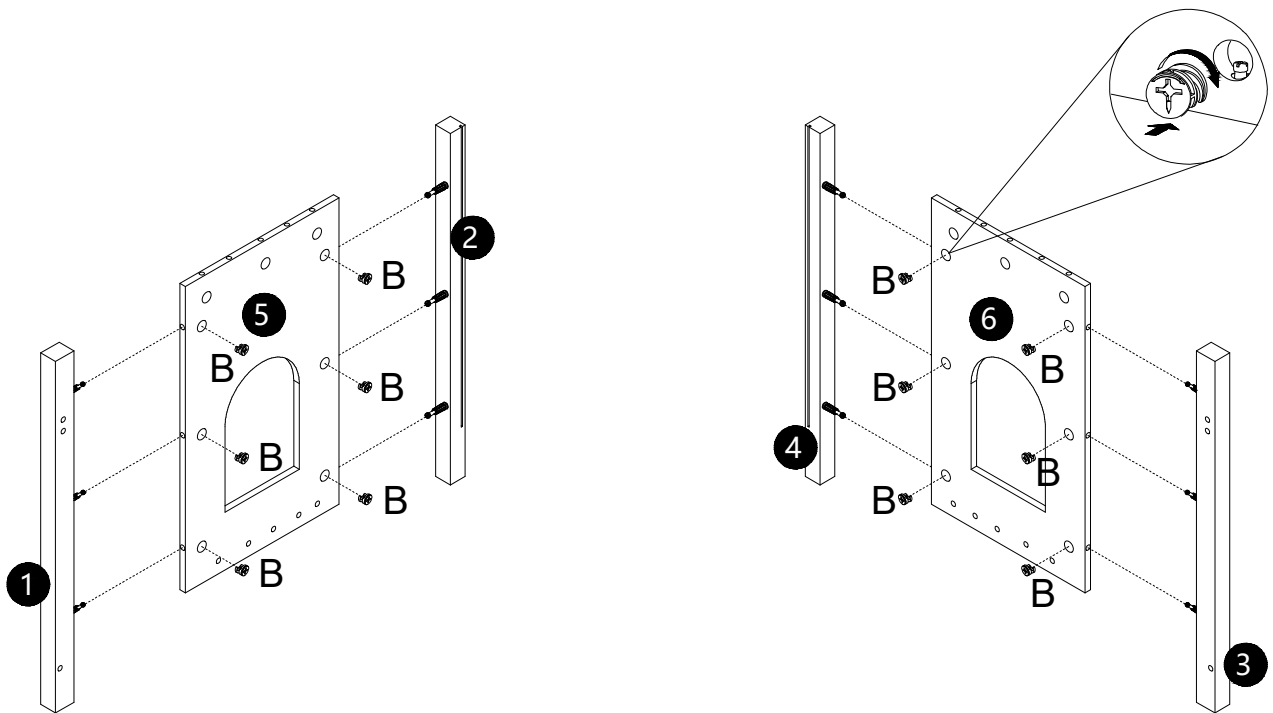


Step 2



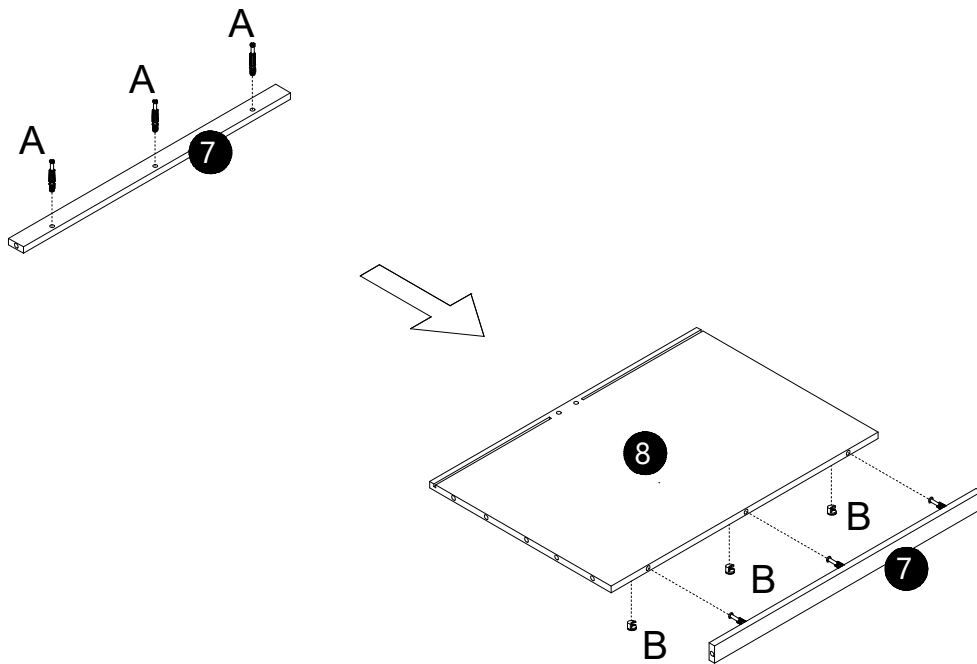
Ax 12PCS


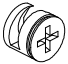
Step 3



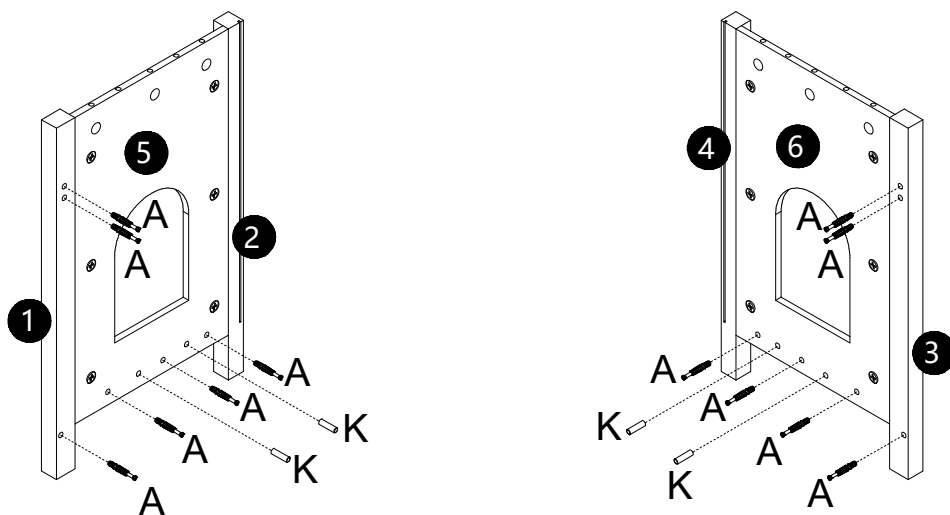
Bx 12PCS

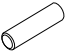

Step 4



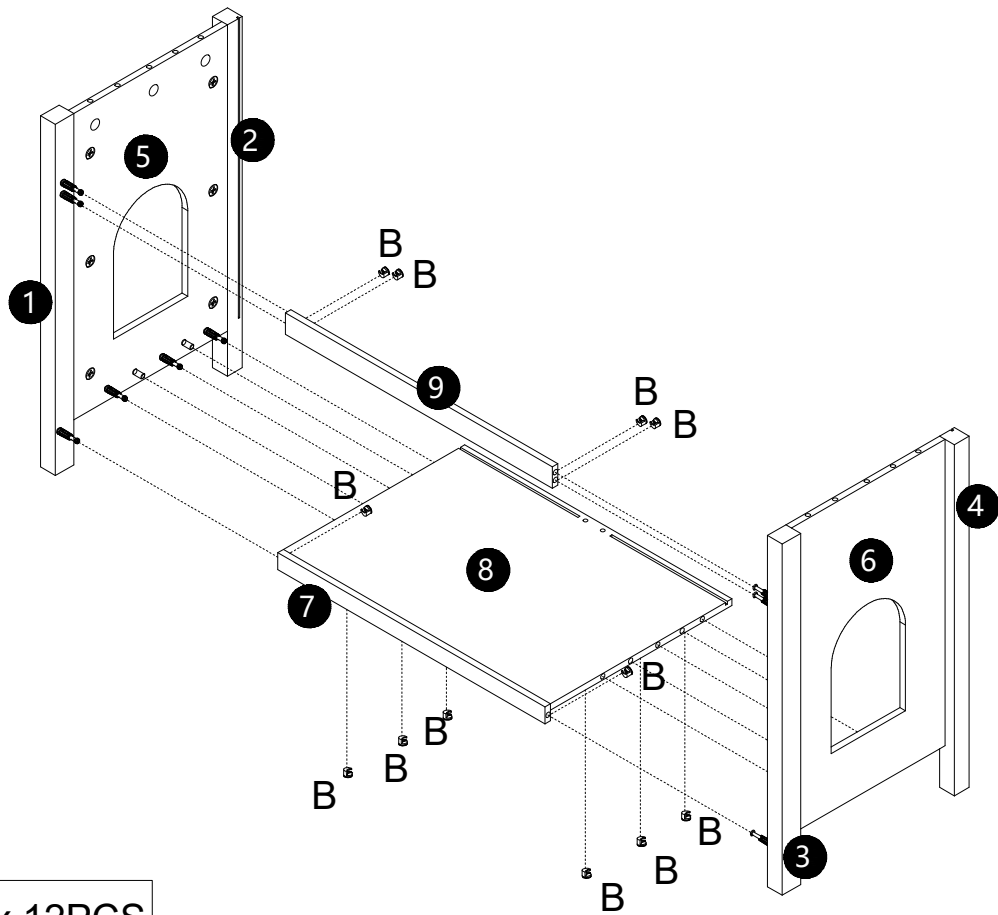
	Ax 3PCS
	Bx 3PCS

Step 5



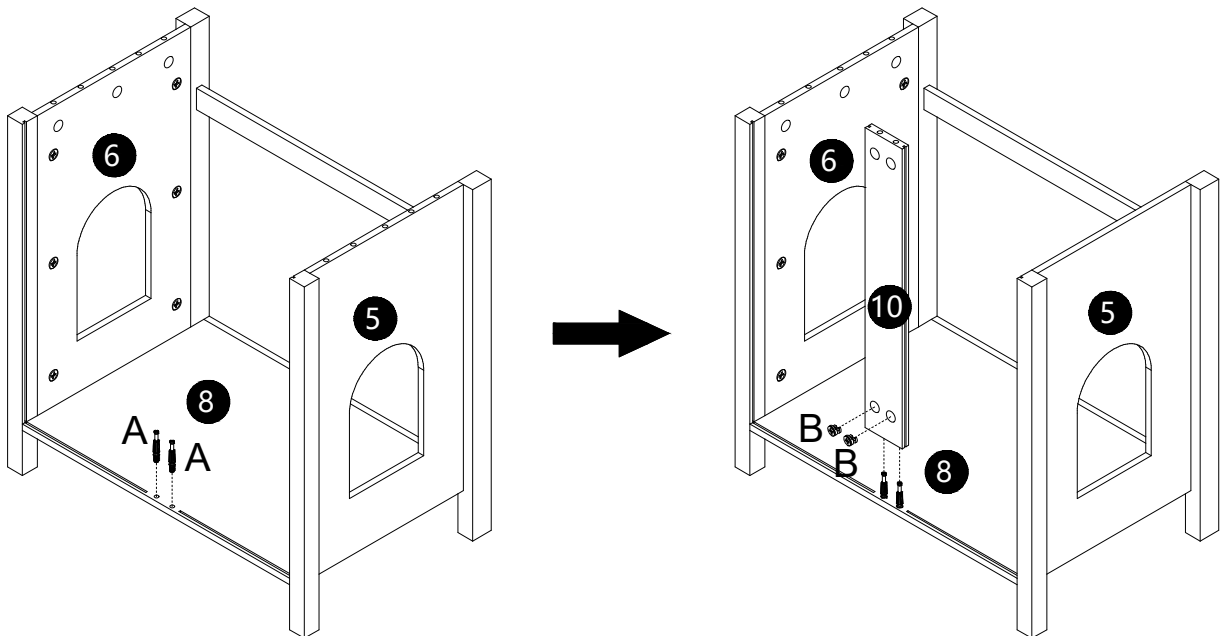
	Kx 4PCS
	Ax 12PCS

Step 6



Bx 12PCS

Step 7

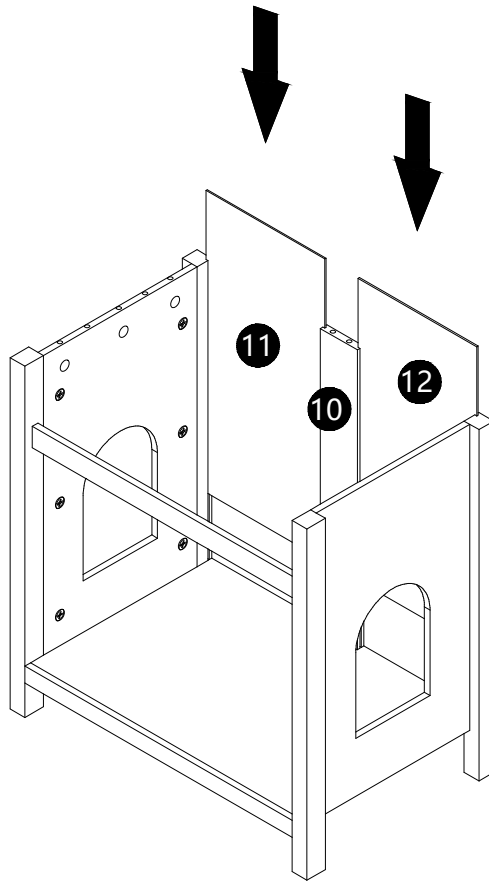


Ax 2PCS

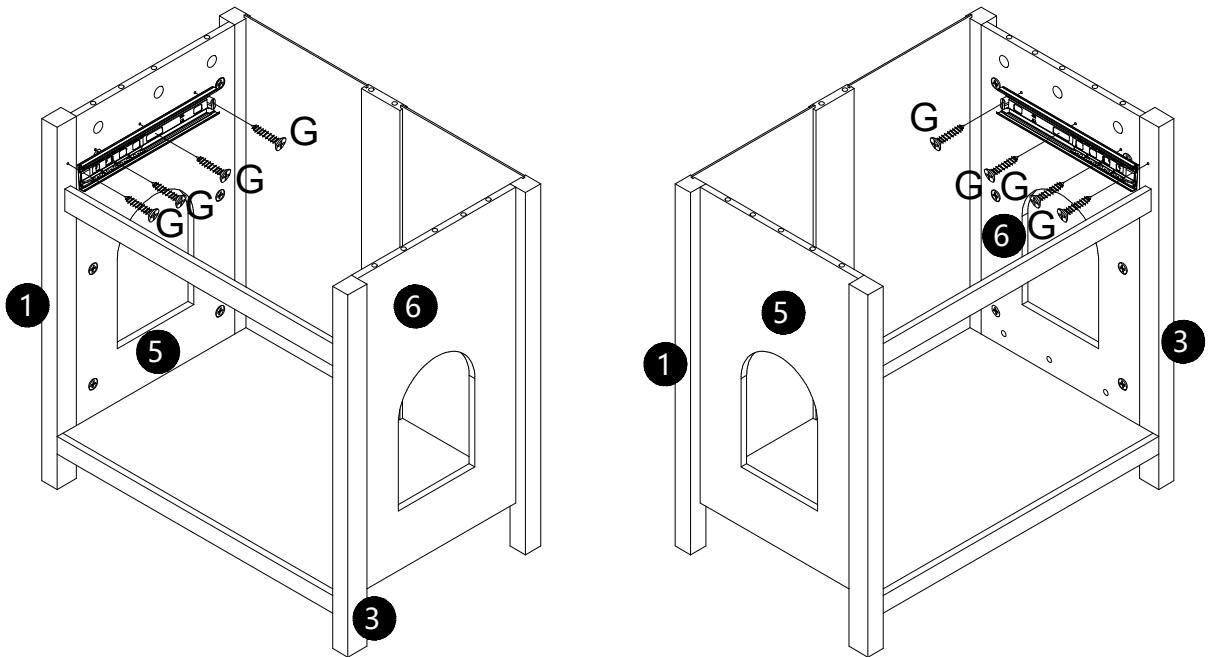


Bx 2PCS

Step 8



Step 9

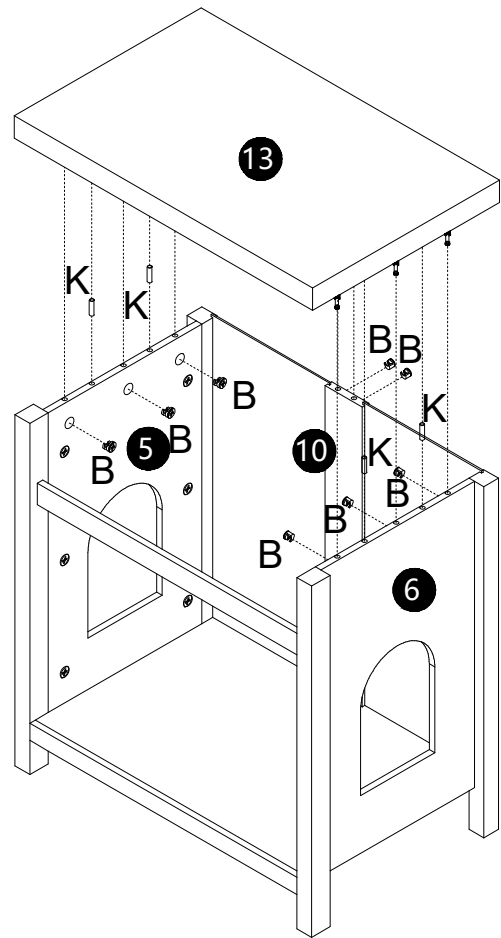
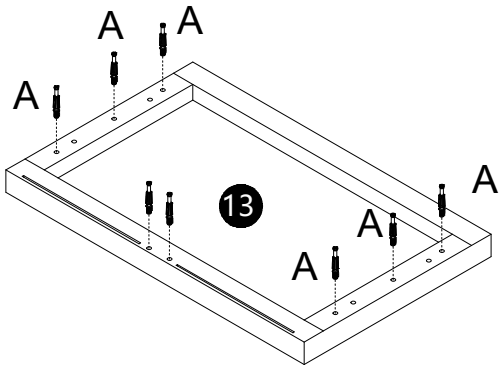





Gx 8PCS



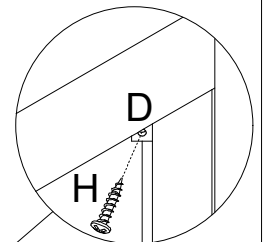
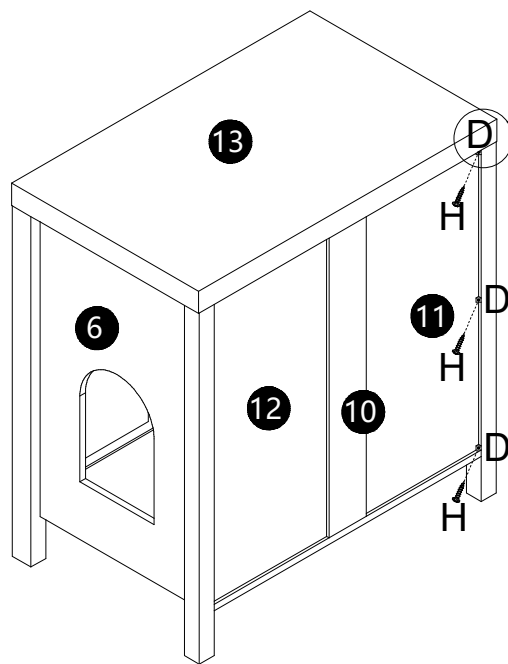
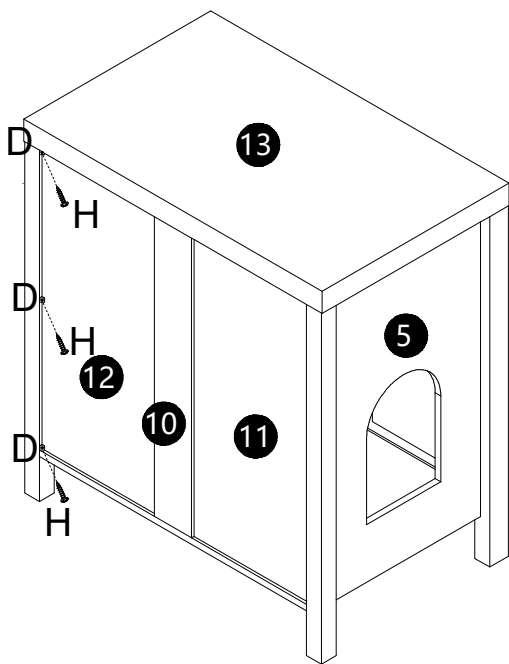
Cx 2PCS


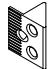
Step 10



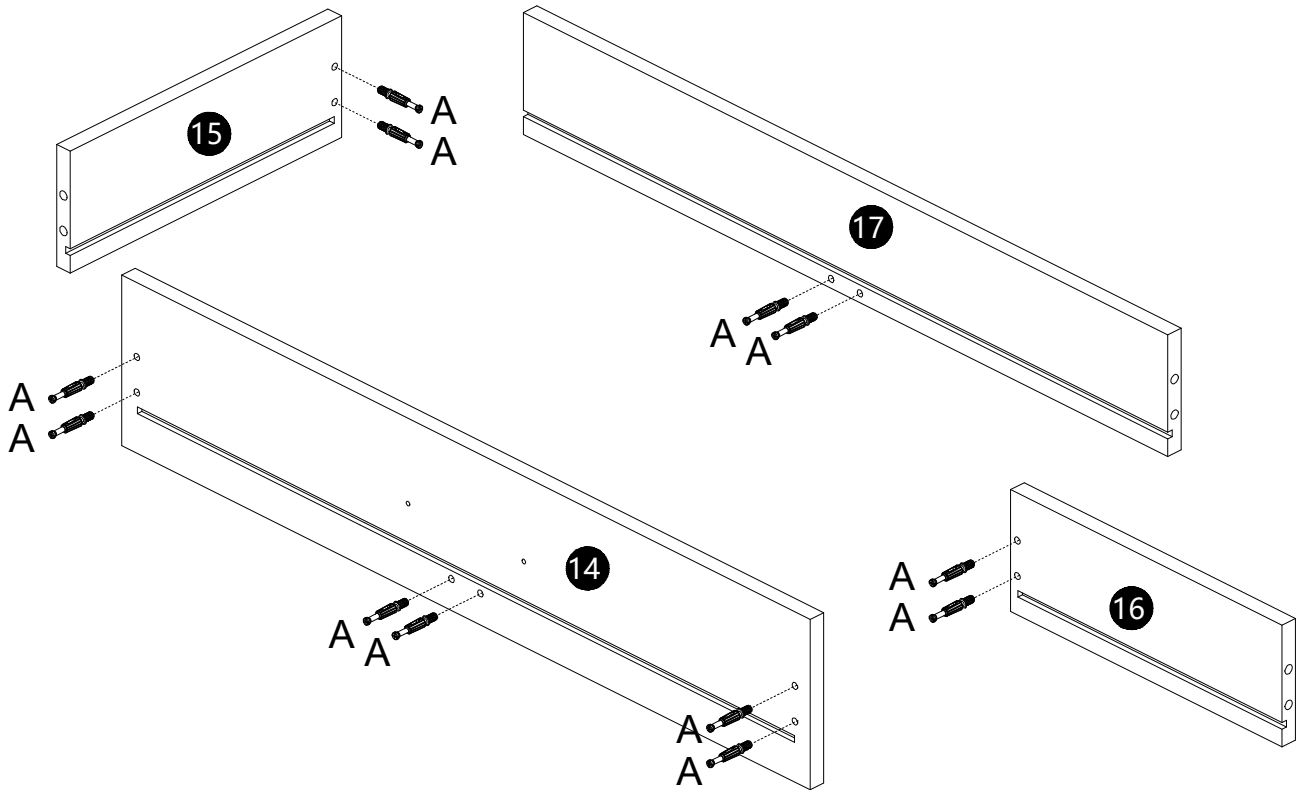
	Ax 8PCS
	Kx 4PCS
	Bx 8PCS

Step 11



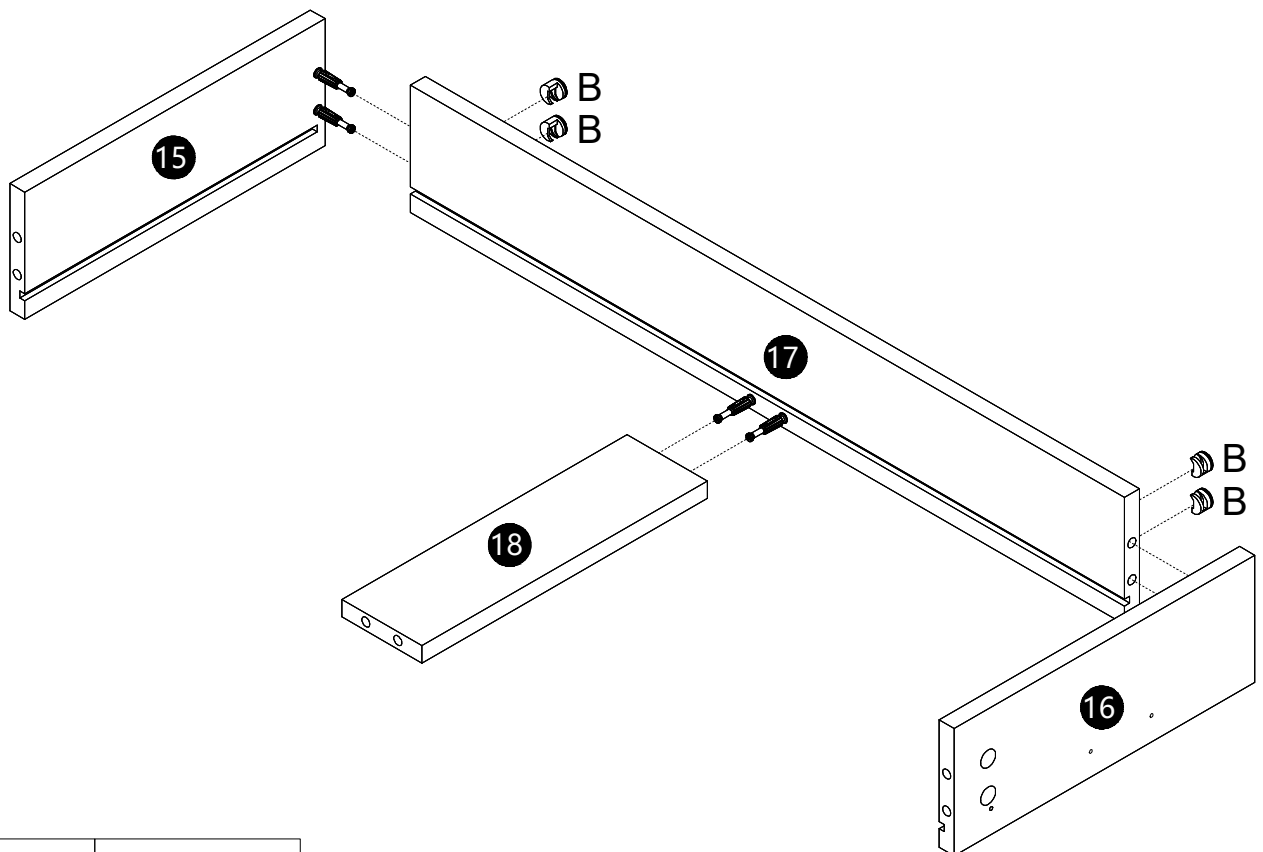
	Hx 6PCS
	Dx 6PCS

Step 12



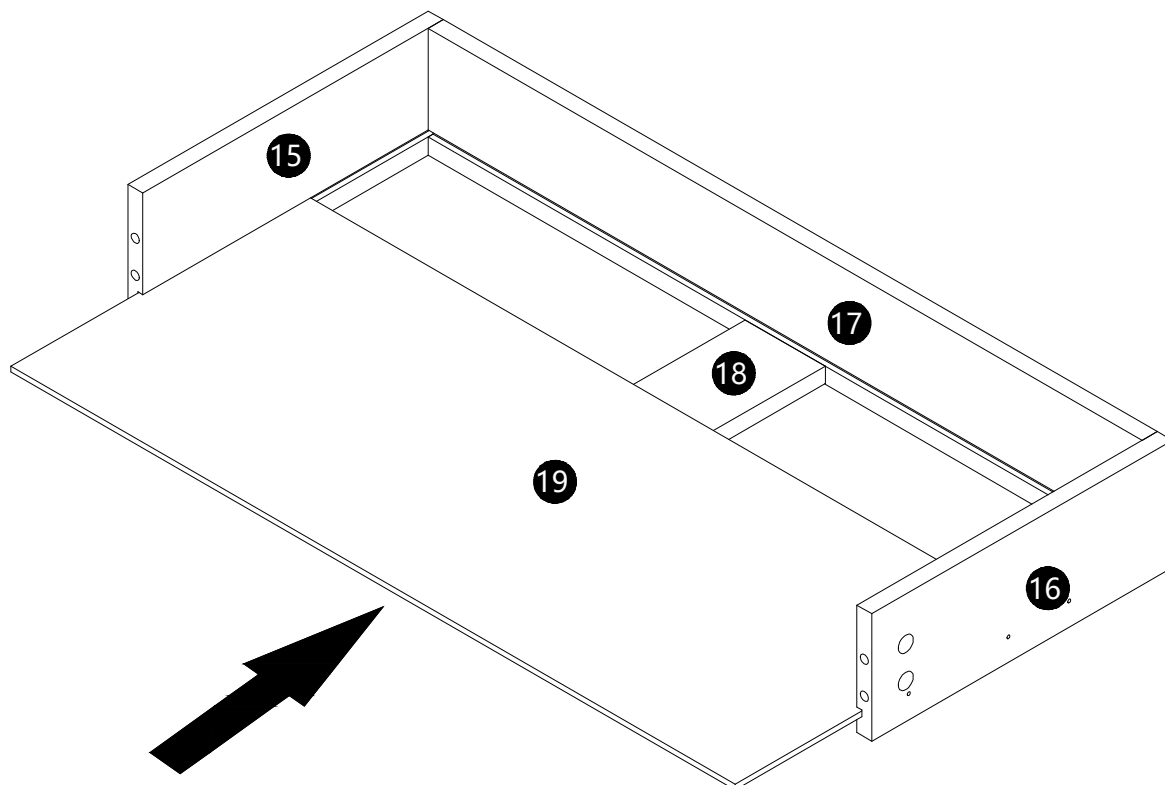
Ax 12PCS

Step 13

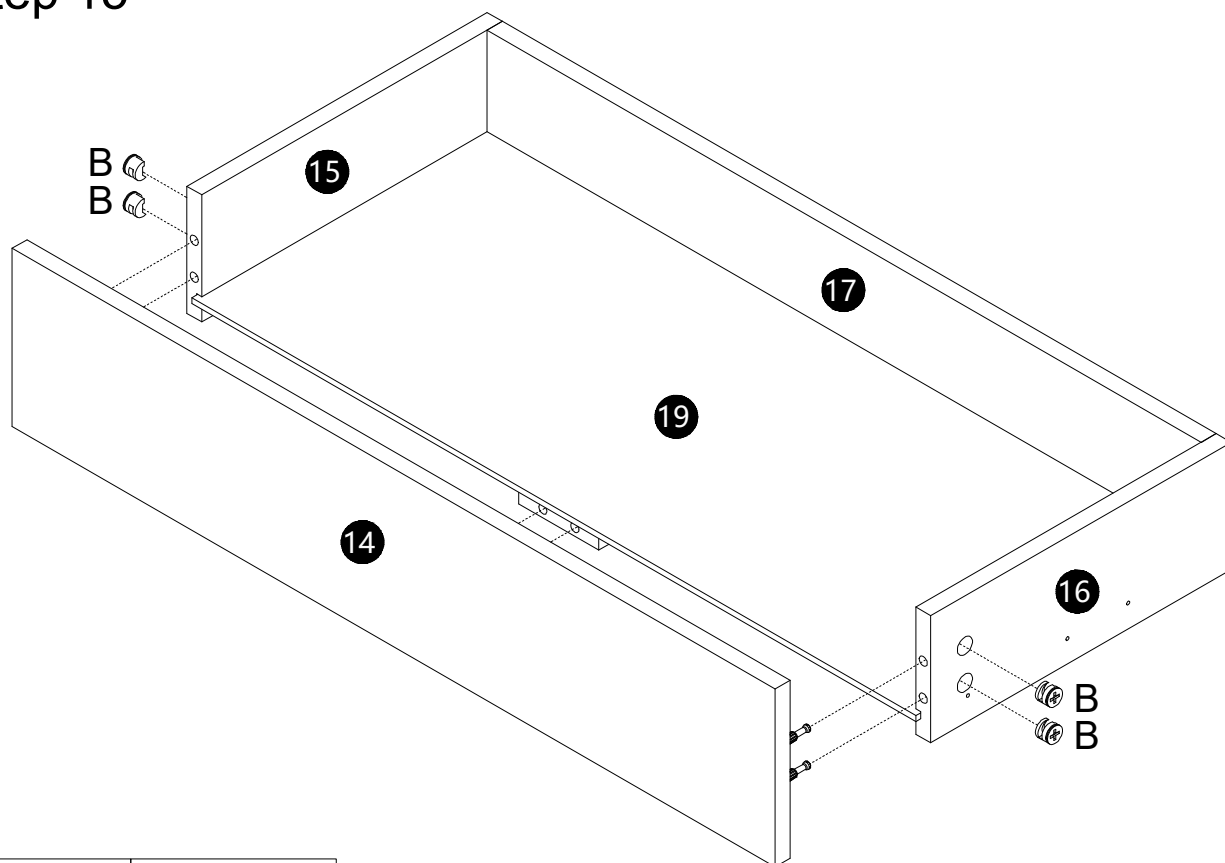


Bx 4PCS

Step 14

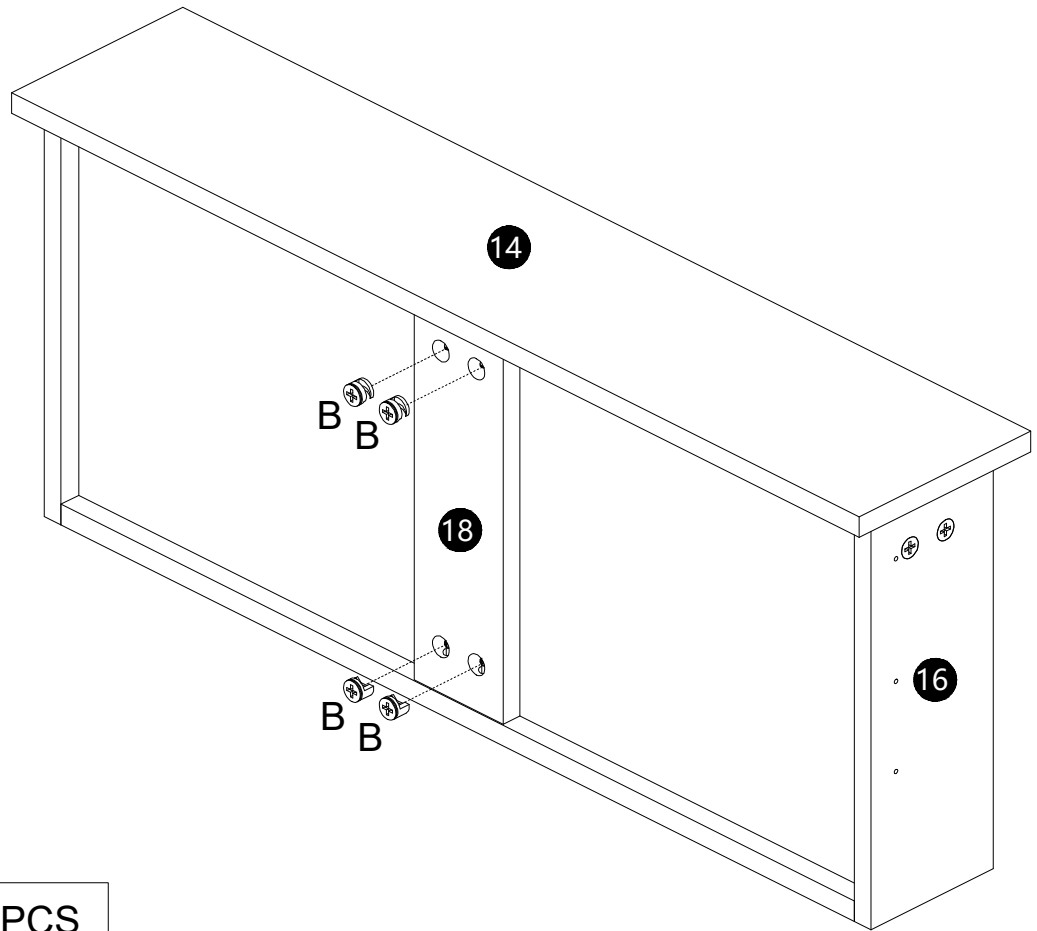


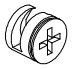
Step 15



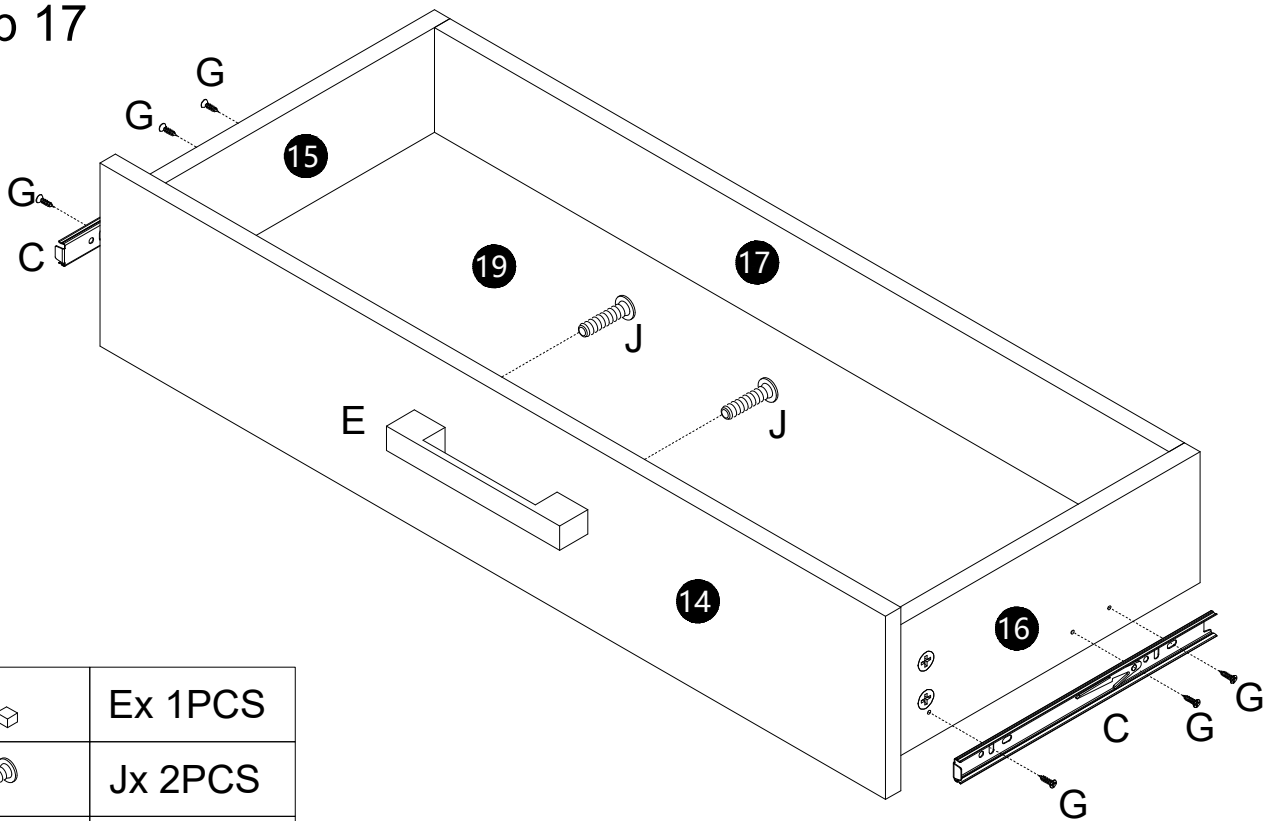
Bx 4PCS

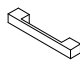

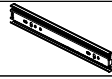

Step 16



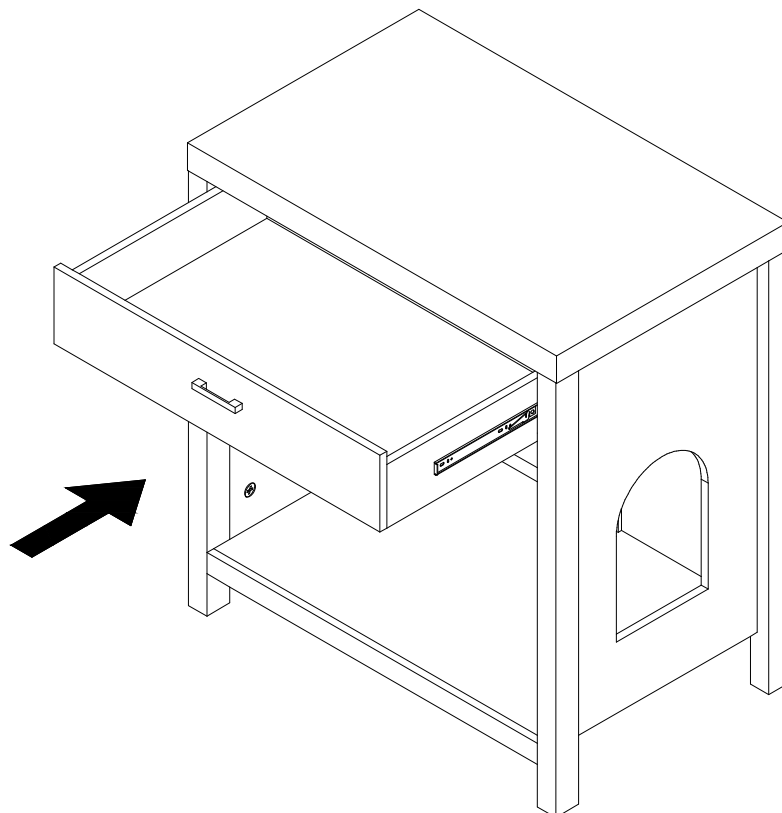
	Bx 4PCS
---	---------

Step 17

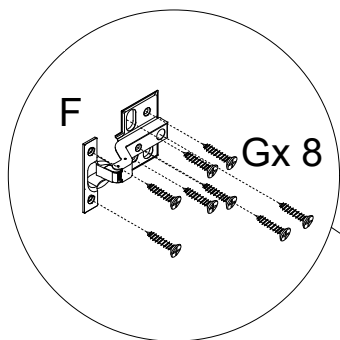


	Ex 1PCS
	Jx 2PCS
	Cx 2PCS
	Gx 6PCS

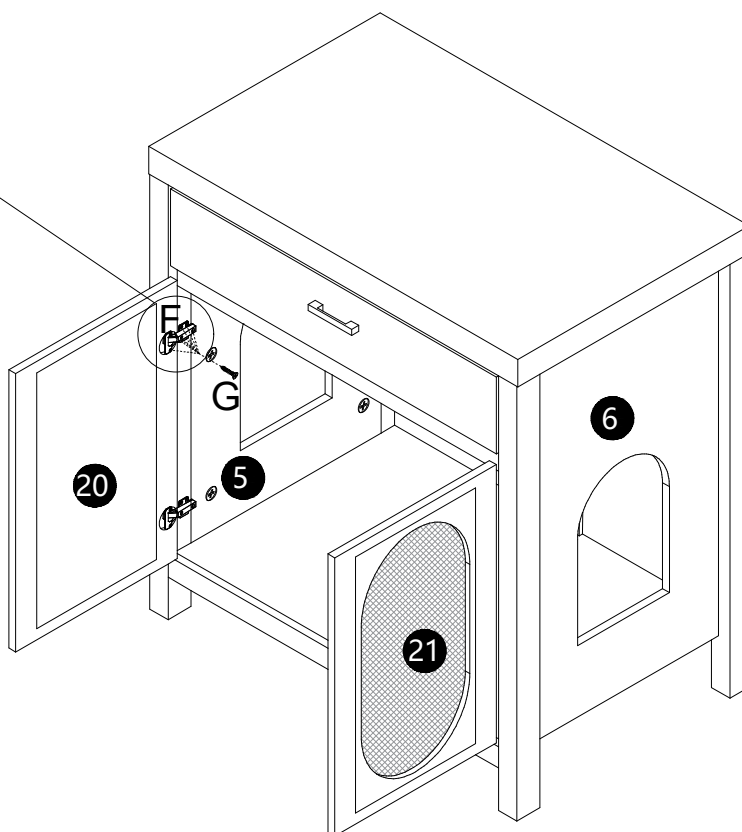
Step 18



Step 19



x 4

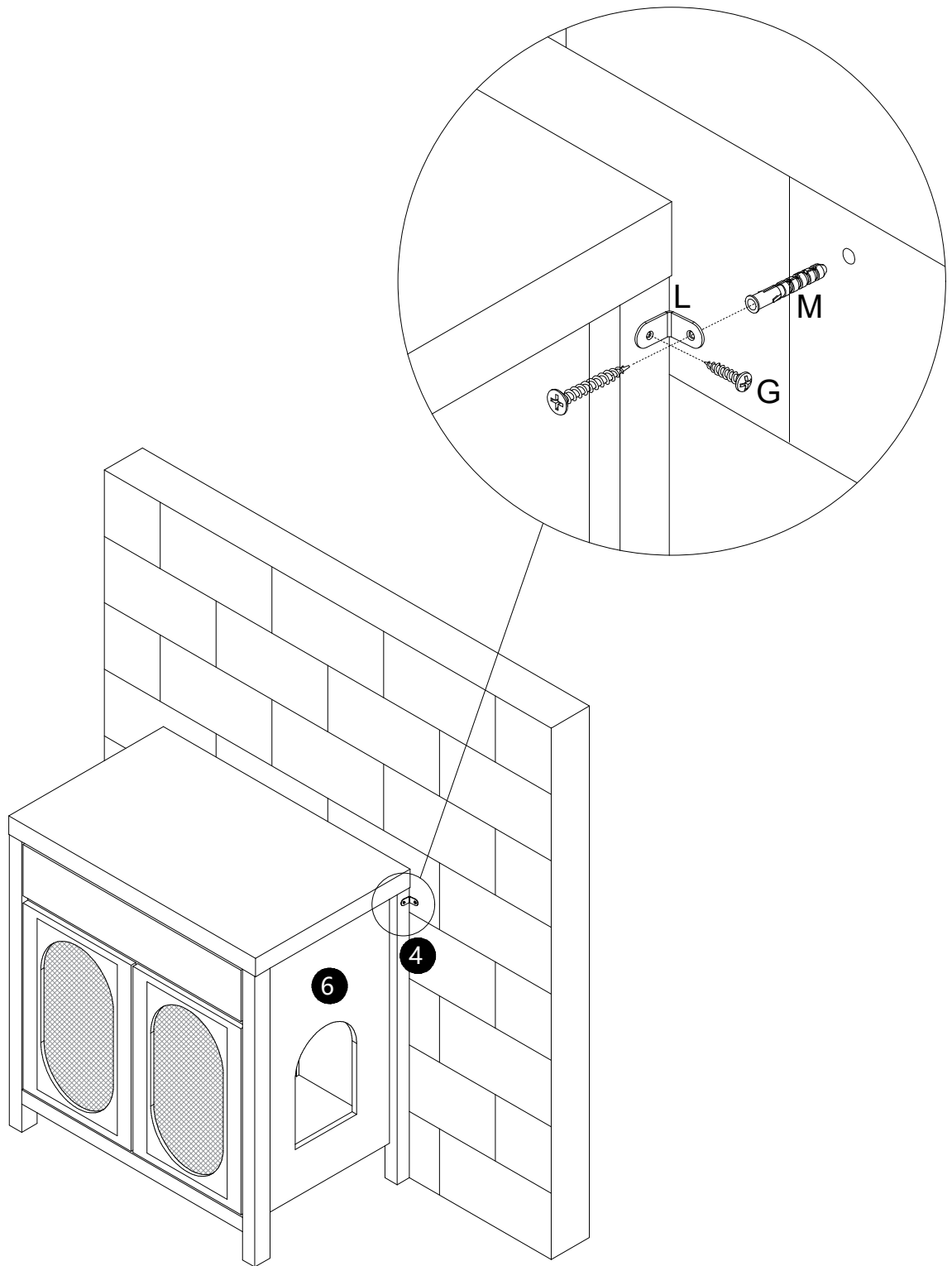



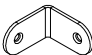

Fx 4PCS

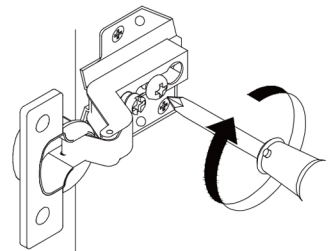
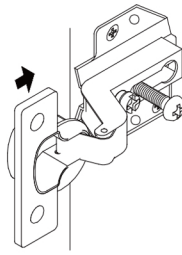
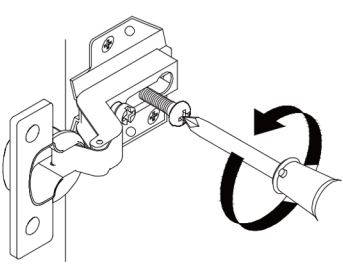
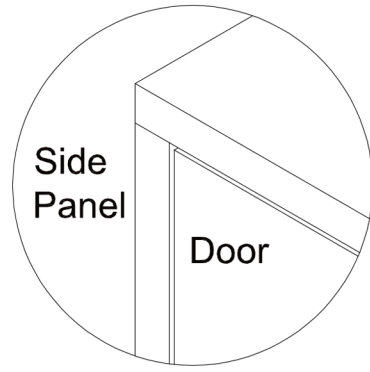
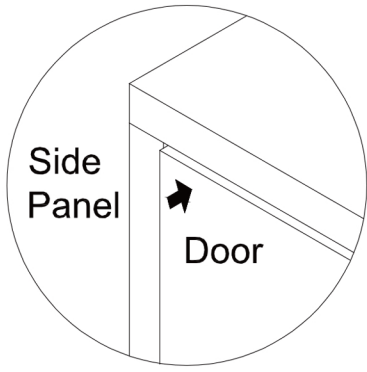


Gx 32PCS

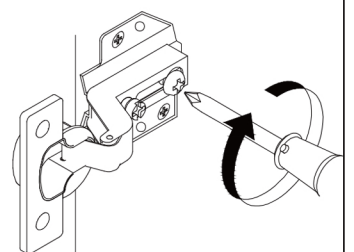
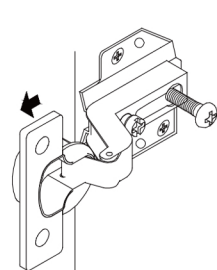
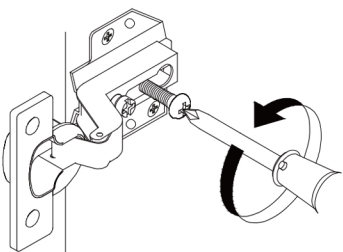
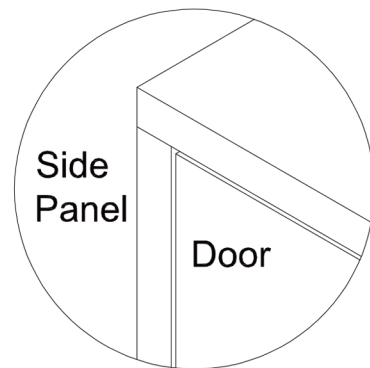
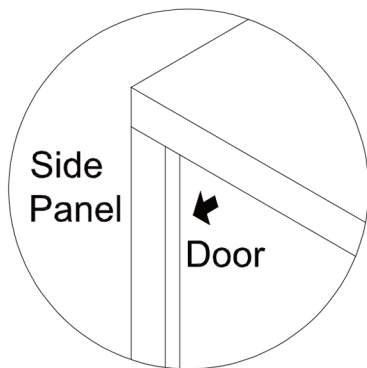
Step 20



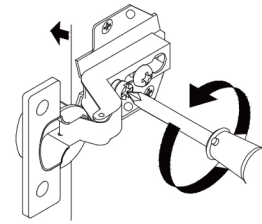
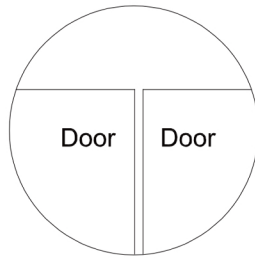
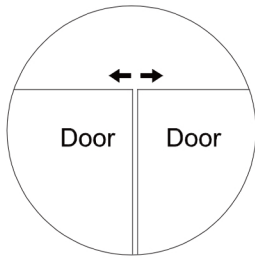
	Gx 2PCS
	Lx 2PCS
	Mx 2PCS



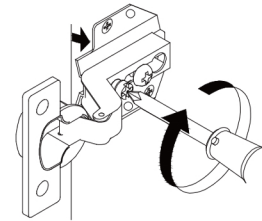
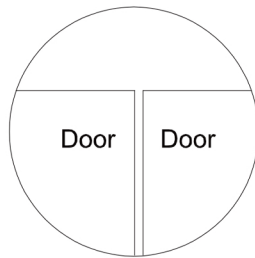
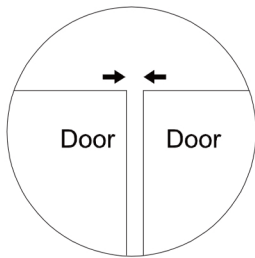
If the top of the door is not level with the side panel, loosen the screw at the back of the hinge as shown, then move the hinge in or out until the desired gap is achieved, and then re-tighten the back screw.



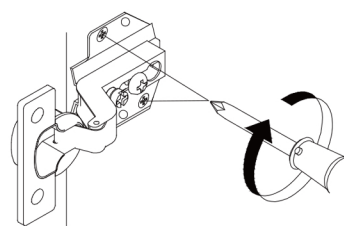
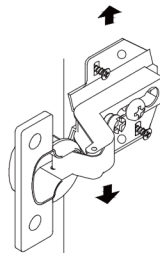
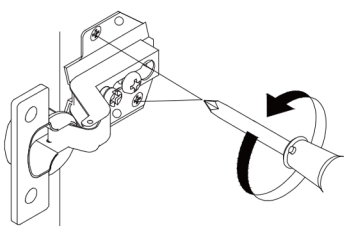
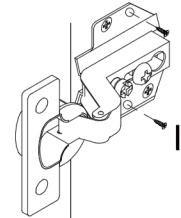
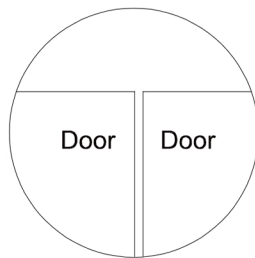
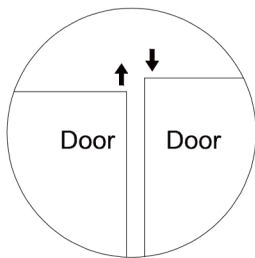
If the top of the door is not level with the side panel, loosen the screw at the back of the hinge as shown, then move the hinge in or out until the desired gap is achieved, and then re-tighten the back screw as shown.



If the gap is too tight between the two doors, loosen the screw at the front of the hinge as shown to make the adjustment and then re-tighten the screw.



If the gap is too tight between the two doors, loosen the screw at the front of the hinge as shown to make the adjustment and then re-tighten the screw.



- a) If the doors are not leveled with each other, loosen the screws (installed on STEP 27) at the Panel Wing of the hinge, then adjust the hinge up or down until the desired level or when both doors are leveled, and then re-tighten the screws.
- b) When all the desired positions are in place, use the remaining sixteen Screw (I) to fasten the Wing Panel using the balance two screw holes on Panel Wing.