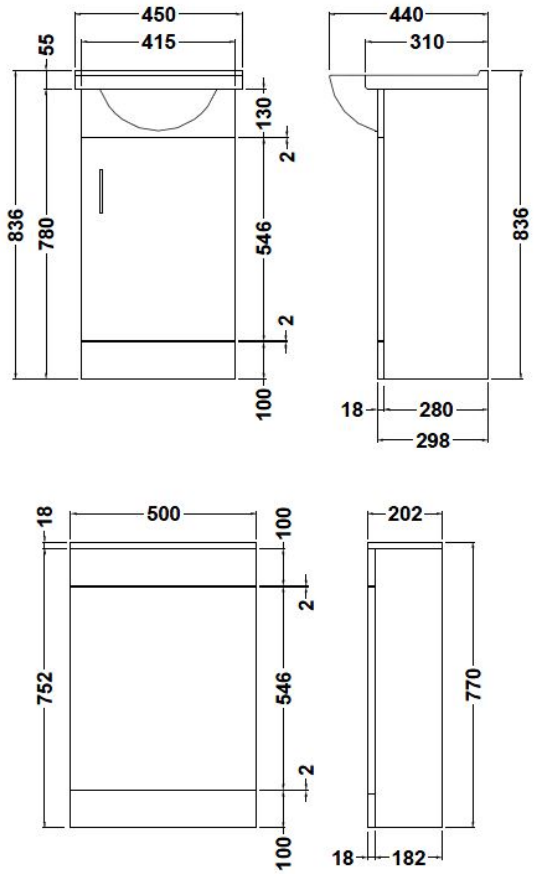


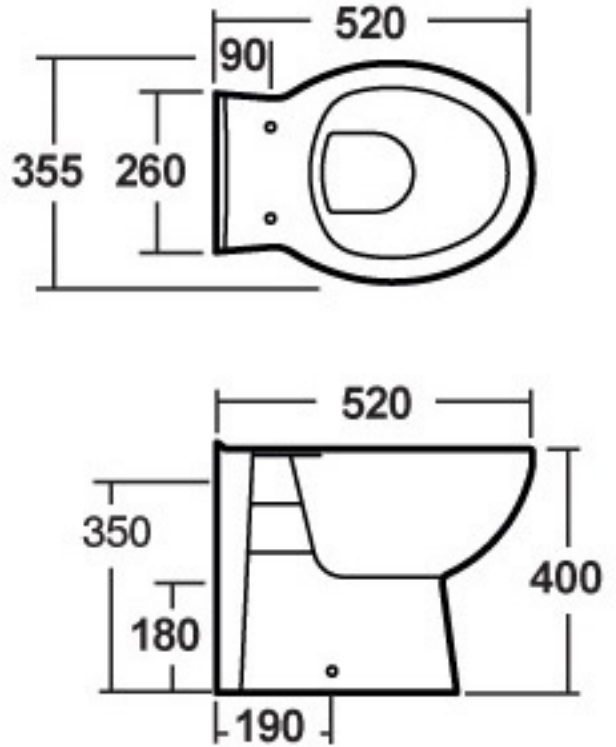
CUSTOMER DATA SHEET

DESCRIPTION: Pack



CUSTOMER DATA SHEET - CERAMICS

DESCRIPTION: Standard Toilet Pan



BTWPan

PRODUCT DIMENSIONS

Height (mm)	Width (mm)	Depth (mm)	Nett Wgt Kg
410	355	520	17

PACKAGING DIMENSIONS

Height (mm)	Width (mm)	Depth (mm)	Gross Wgt Kg
420	395	555	19

PACKAGING DATA

Box Colour	Brown Cardboard Box - Printed		
Box Qty	1	Label Colour	Not Applicable
Label Size	100 x 50	Label Qty	2

OUTER BOX DIMENSIONS (If Applicable)

Height (mm)	Width (mm)	Depth (mm)	Gross Wgt Kg

PRODUCT DETAILS

Country of Origin	China
Fitting Instruction	No

Certification	CE	Yes	WRAS	N/A	WRAS Number	N/A
Product Material	Vitreous China					

PANS/BIDETS

Trap Style	P Trap	Includes Seat	No
------------	--------	---------------	----

CISTERNS

Fittings	Not Applicable	Operating Type	Not Applicable
Lever Type	Not Applicable		

SEAT

Type	Round	Function	Not Applicable
Material	Not Applicable		
Hinge Type	Top & Bottom Fix	Hinge Material	Not Applicable

BASINS

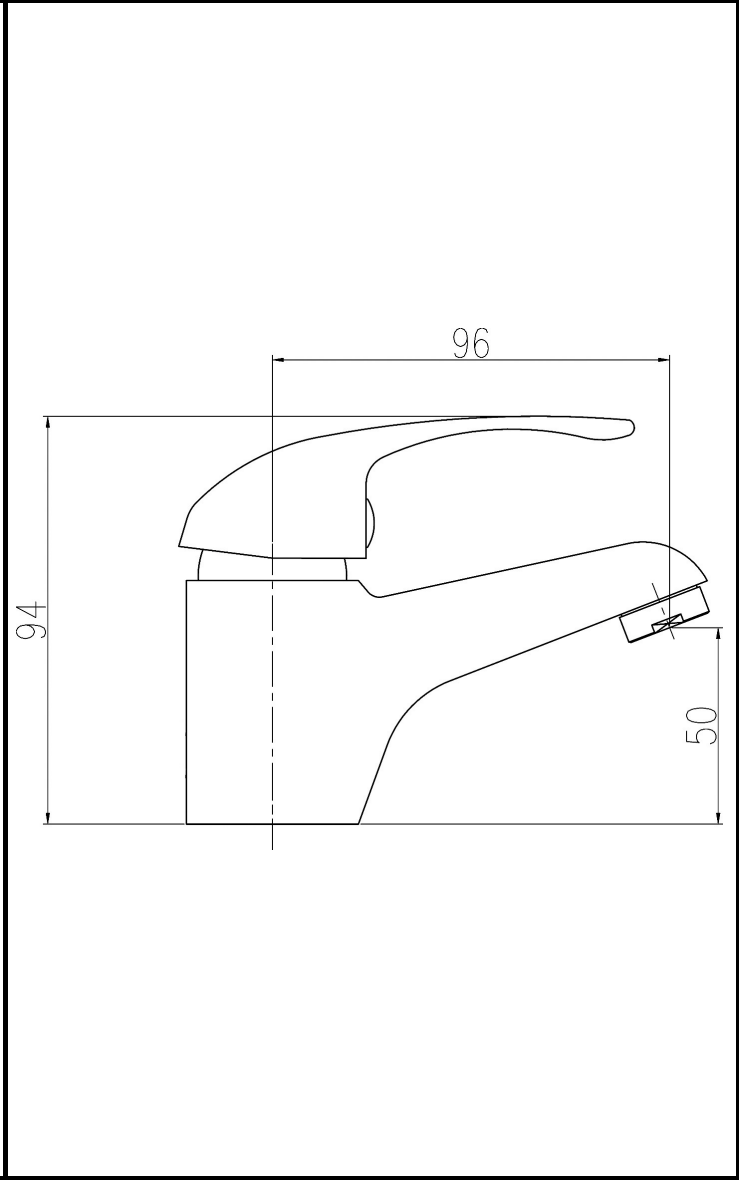
Tap Hole	Not Applicable	Chain Stay Hole	Not Applicable
Template	Not Applicable	Waste Type Req'd	Not Applicable
Overflow Incl.	Not Applicable	Overflow Cover	Not Applicable
Inner Bowl Depth	N/A		

GENERAL

Fixing Supplied	No
-----------------	----

CUSTOMER DATA SHEET - BRASSWARE

DESCRIPTION: D-Type Mono Basin Push Button Waste)



PRODUCT DIMENSIONS				
Height (mm)	Width (mm)	Depth (mm)	Length (mm)	Nett Wgt Kg
94	40	123		1

PACKAGING DIMENSIONS			
Height (mm)	Width (mm)	Depth (mm)	Gross Wgt Kg
70	130	430	1.03

PACKAGING DATA			
Box Colour	White Cardboard Box		
Box Qty	1	Label Colour	White Label
Label Size	100 x 50	Label Qty	2

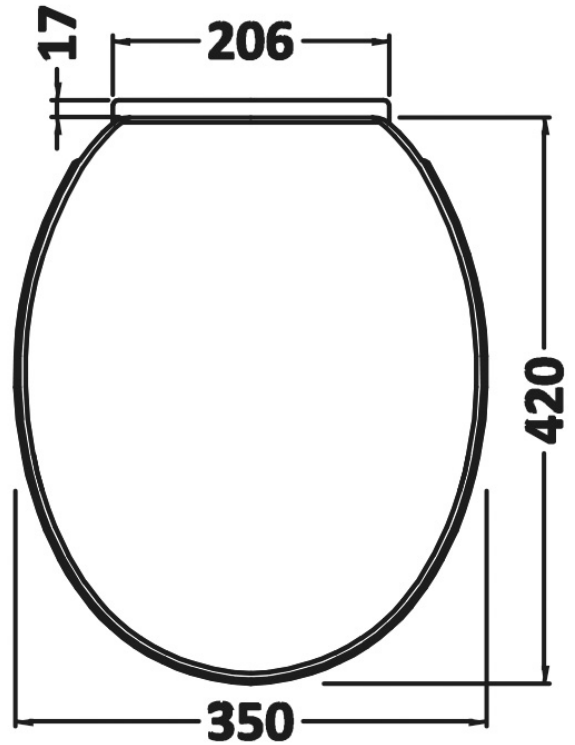
OUTER BOX DIMENSIONS (If Applicable)				
Height (mm)	Width (mm)	Depth (mm)	Length (mm)	Gross Wgt Kg
320	360	400		12

PRODUCT DETAILS			
Country of Origin	China		
Fitting Instruction	Yes		
Product Material	Brass		
Control Type	Manual		
Waste Included	Waste Included		
WRAS Approval	No	Approval No.	N/A
Operating Pressure (bar)	0.5		
Valve/Cartridge Type	Single Lever Cartridge		

Colour/Finish	Chrome									
Mount Type	Deck									
Waste Type	Push Button									
Flow Rates (Litres Per Min)	0.1 bar	2.5	0.5 bar	6	1 bar	7	2 bar	11	3 bar	14
Pipe Size	15 mm (1/2" Bsp)									
Pipe Centres	N/A									

CUSTOMER DATA SHEET - TOILET SEATS

DESCRIPTION: Standard Soft Close Seat



PRODUCT DIMENSIONS

Length (mm)	Width (mm)	Height(mm)	Nett Wgt Kg
420	350	50	1.4

PACKAGING DATA

Box Colour	White Cardboard Box - Printed		
Box Qty	1	Label Colour	Not Applicable
Label Size	100 x 50	Label Qty	

PACKAGING DIMENSIONS

Length (mm)	Width (mm)	Height (mm)	Gross Wgt Kg
440	350	70	1.42

OUTER BOX DIMENSIONS (If Applicable)

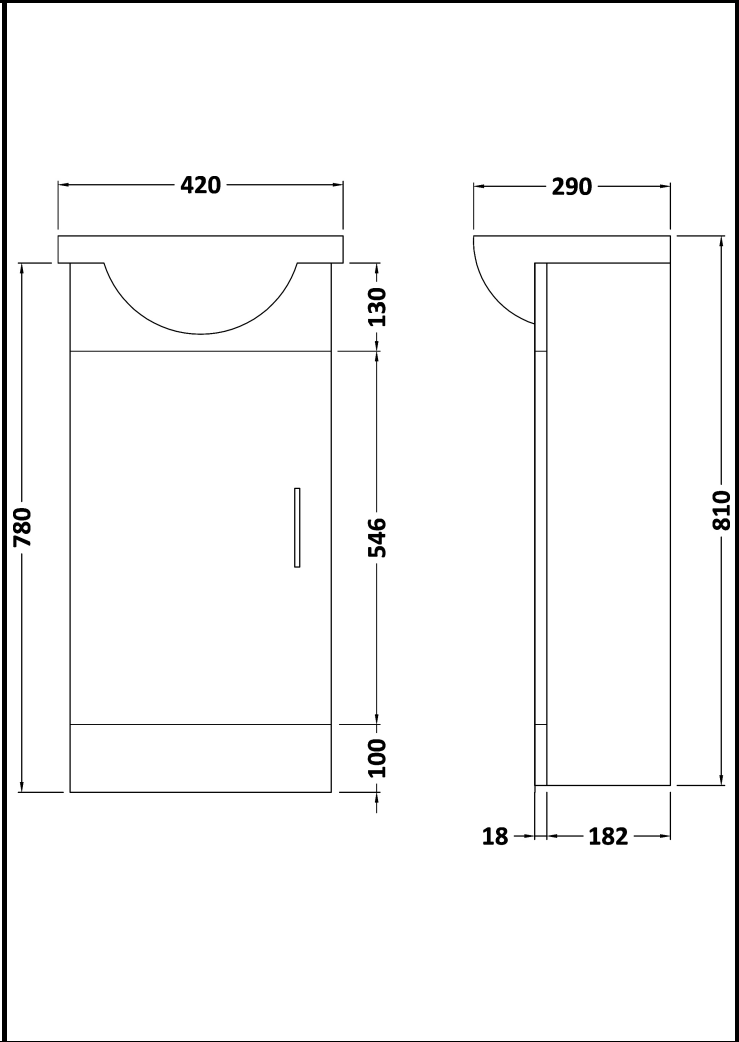
Length (mm)	Width (mm)	Height (mm)	Gross Wgt Kg
480	330	400	14

PRODUCT DETAILS

Country of Origin	China
Fitting Instruction	Yes
Product Material	Polypropylene
Seat Type	Round
Hinge Centres (Min)	120
Hinge Centres (Max)	180
CE Certification	Not Applicable
Colour/Finish	White
Fixing Method	Bottom Fix
Seat Function	Soft Close
Hinge Material	Polypropylene

CUSTOMER DATA SHEET - FURNITURE

DESCRIPTION: 400 Gloss White Unit & Basin



PRODUCT DIMENSIONS			
Height (mm)	Width (mm)	Depth (mm)	Nett Wgt Kg
780	400	200	17.14

PACKAGING DIMENSIONS			
Height (mm)	Width (mm)	Depth (mm)	Gross Wgt Kg
810	230	400	17.14

PACKAGING DATA			
Box Colour	Brown Cardboard Box - Printed		
Box Qty	1	Label Colour	Not Applicable
Label Size	100 x 50	Label Qty	0

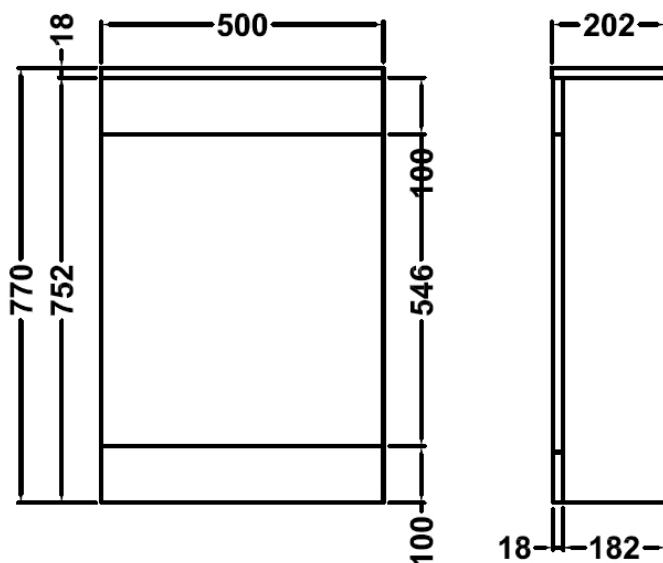
OUTER BOX DIMENSIONS (If Applicable)			
Height (mm)	Width (mm)	Depth (mm)	Gross Wgt Kg

PRODUCT DETAILS	
Country of Origin	China
Fitting Instruction	Yes
Constr' Method	Cam & Wood Dowel
Cabinet Finish	MFC Painted Gloss
Cab Thickness (mm)	16
Drawer Included	No
No of Shelves	1
Hinge Inc'	Yes
Fixings Inc'	No
Handle Inc'	Yes
Handle Type	Bar

Certification	FSC	Yes	CE	No
Colour	Gloss White			
Constr' Type	Rigid			
Fascia Finish	Mdf Painted Gloss			
Fas Thickness (mm)	18			
Drawer Type	Not Applicable			
Hinge Type	95 Degree Clip-On Soft Close			
Adjustable Legs	No			
Handle Style	Modern			
Waste Shroud	No			

CUSTOMER DATA SHEET - FURNITURE

DESCRIPTION: Gloss White 500 Wc Unit Inc Conc Cistern



PRODUCT DIMENSIONS

Height (mm)	Width (mm)	Depth (mm)	Nett Wgt Kg
770	500	202	15.28

PACKAGING DIMENSIONS

Height (mm)	Width (mm)	Depth (mm)	Gross Wgt Kg
230	525	815	15.28

PACKAGING DATA

Box Colour	Brown Cardboard Box - Printed		
Box Qty	1	Label Colour	Not Applicable
Label Size	100 x 50	Label Qty	0

OUTER BOX DIMENSIONS (If Applicable)

Height (mm)	Width (mm)	Depth (mm)	Gross Wgt Kg

PRODUCT DETAILS

Country of Origin	China
Fitting Instruction	Yes
Constr' Method	Cam & Wood Dowel
Cabinet Finish	MFC Painted Gloss
Cab Thickness (mm)	16
Drawer Included	No
No of Shelves	0
Hinge Inc'	No
Fixings Inc'	No
Handle Inc'	No
Handle Type	Not Applicable

Certification	FSC	Yes	CE	No
Colour	Gloss White			
Constr' Type	Rigid			
Fascia Finish	Mdf Painted Gloss			
Fas Thickness (mm)	18			
Drawer Type	Not Applicable			
Hinge Type	Not Applicable			
Adjustable Legs	No			
Handle Style	Not Applicable			
Waste Shroud	No			