

ASSEMBLY INSTRUCTIONS



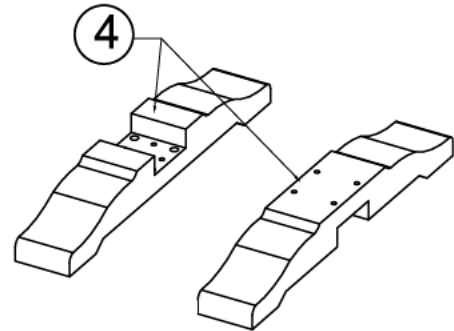
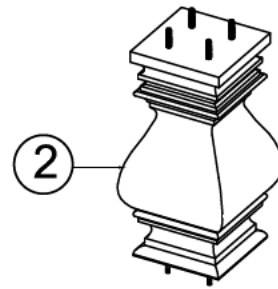
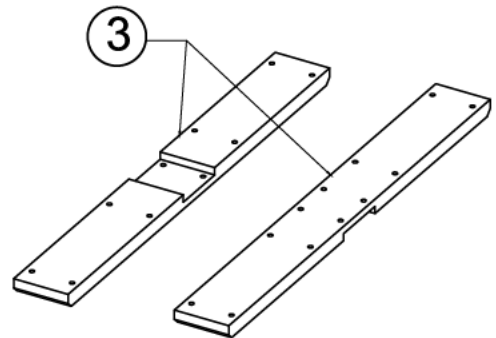
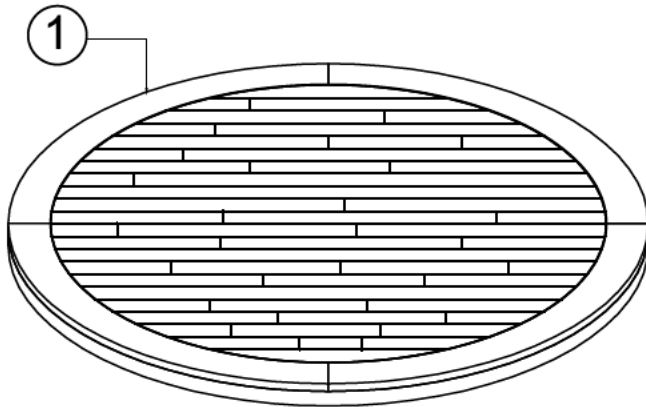
30 MIN










x2



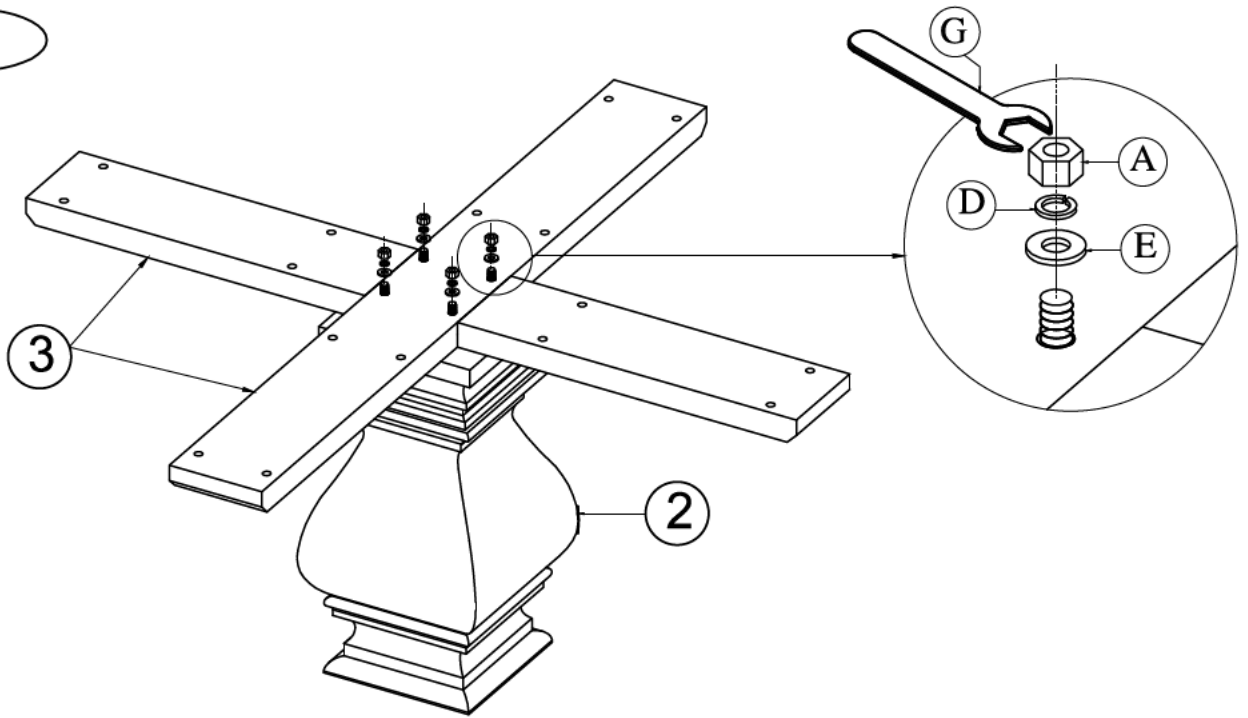
- | | |
|---|----------------------------|
| ① | TOP x 1 PC |
| ② | PEDESTAL x 1 PC |
| ③ | CONNECTION TOP BAR x 2 PCS |
| ④ | BASE FOOT x 2 PCS |







<p>A</p>  <p>M8 08 PCS</p>	<p>B</p>  <p>M8 x 50(Ø15) 16 PCS</p>	<p>C</p>  <p>M8 x 60(Ø15) 04 PCS</p>
--	--	--

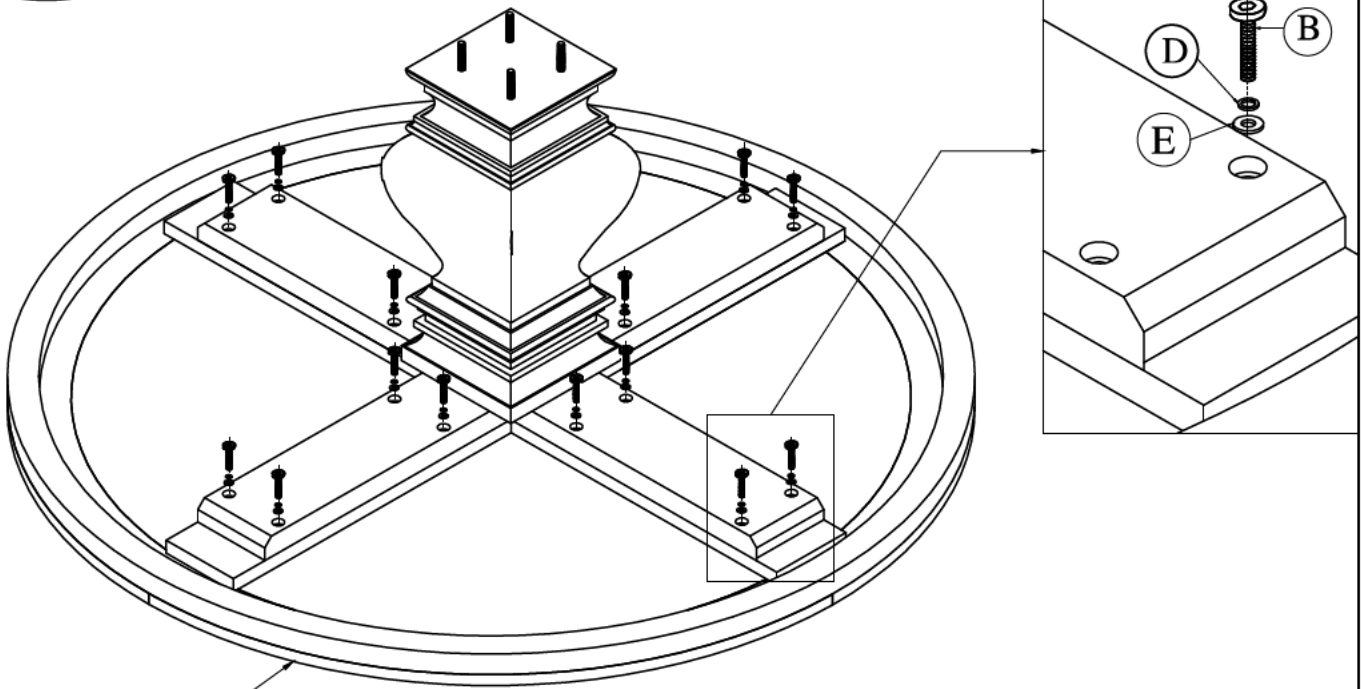
<p>D</p>  <p>M8 x Ø13 x 1.2 28 PCS</p>	<p>E</p>  <p>M8 x Ø19 x 2 28 PCS</p>	<p>F</p>  <p>Ø4 x 60 1PC</p>	<p>G</p>  <p>M13 x 90 1 PC</p>
--	--	--	--





I



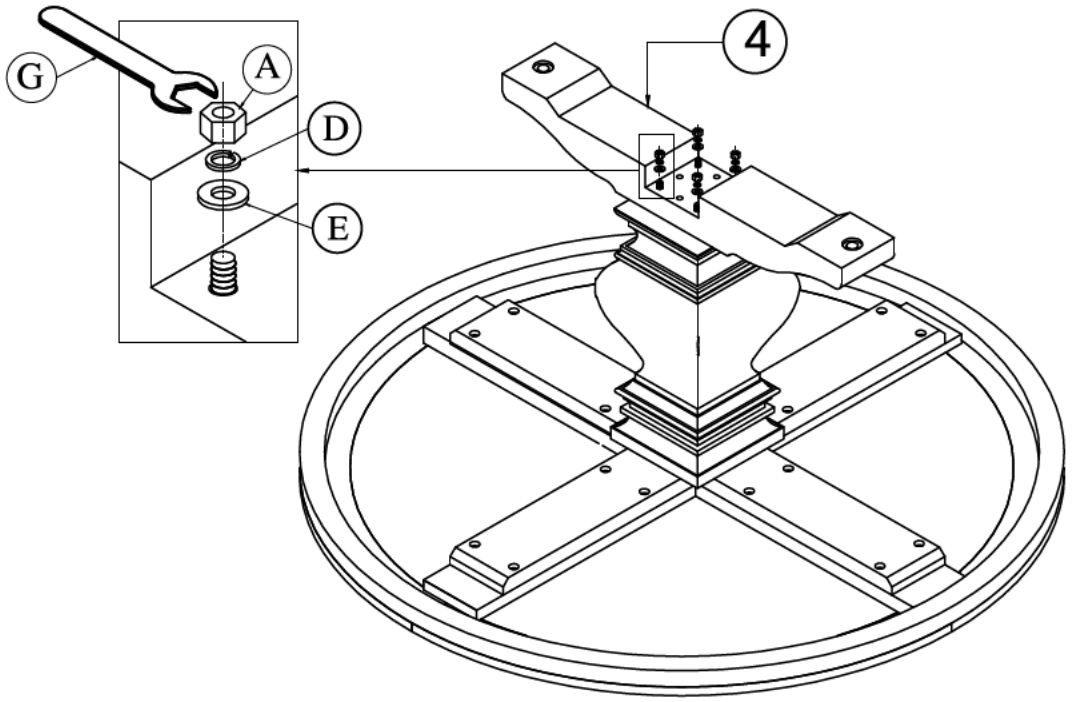
<p>(A)</p>  <p>M8 04 PCS</p>	<p>(D)</p>  <p>M8 x Ø13 x 1.2 04PCS</p>	<p>(E)</p>  <p>M8 x Ø19 x 2 04 PCS</p>	<p>(G)</p>  <p>M13 x 90 1 PC</p>
---	---	---	---





II



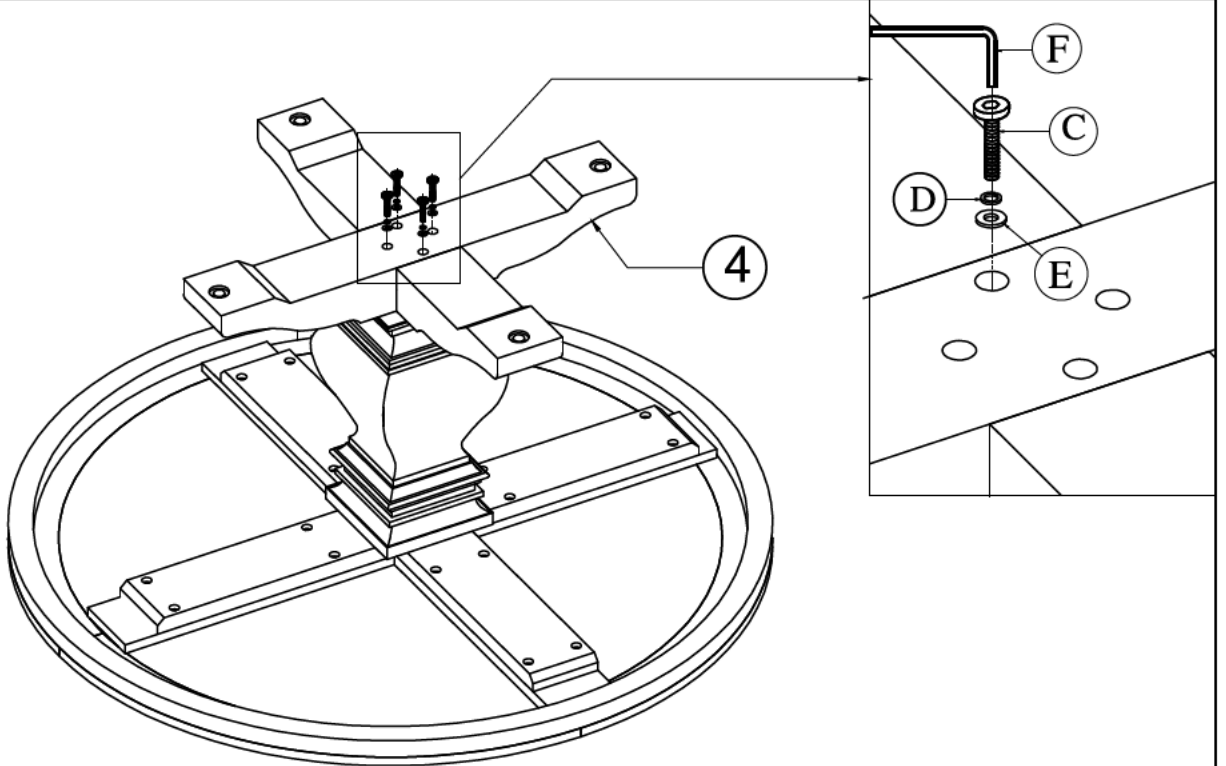
<p>(B)</p>  <p>M8 x 50(Ø15) 16 PCS</p>	<p>(D)</p>  <p>M8 x Ø13 x 1.2 16 PCS</p>	<p>(E)</p>  <p>M8 x Ø19 x 2 16 PCS</p>	<p>(F)</p>  <p>Ø4 x 60 1PC</p>
---	---	--	--





III



<p>(A)</p>  <p>M8 04 PCS</p>	<p>(D)</p>  <p>M8 x Ø13 x 1.2 04PCS</p>	<p>(E)</p>  <p>M8 x Ø19 x 2 04 PCS</p>	<p>(G)</p>  <p>M13 x 90 1 PC</p>
---	---	---	---

IV



<p>(C)</p>  <p>M8 x 60(Ø15) 04 PCS</p>	<p>(D)</p>  <p>M8 x Ø13 x 1.2 04 PCS</p>	<p>(E)</p>  <p>M8 x Ø19 x 2 04 PCS</p>	<p>(F)</p>  <p>Ø4 x 60 1PC</p>
---	---	--	--

ASSEMBLY IS COMPLETE

