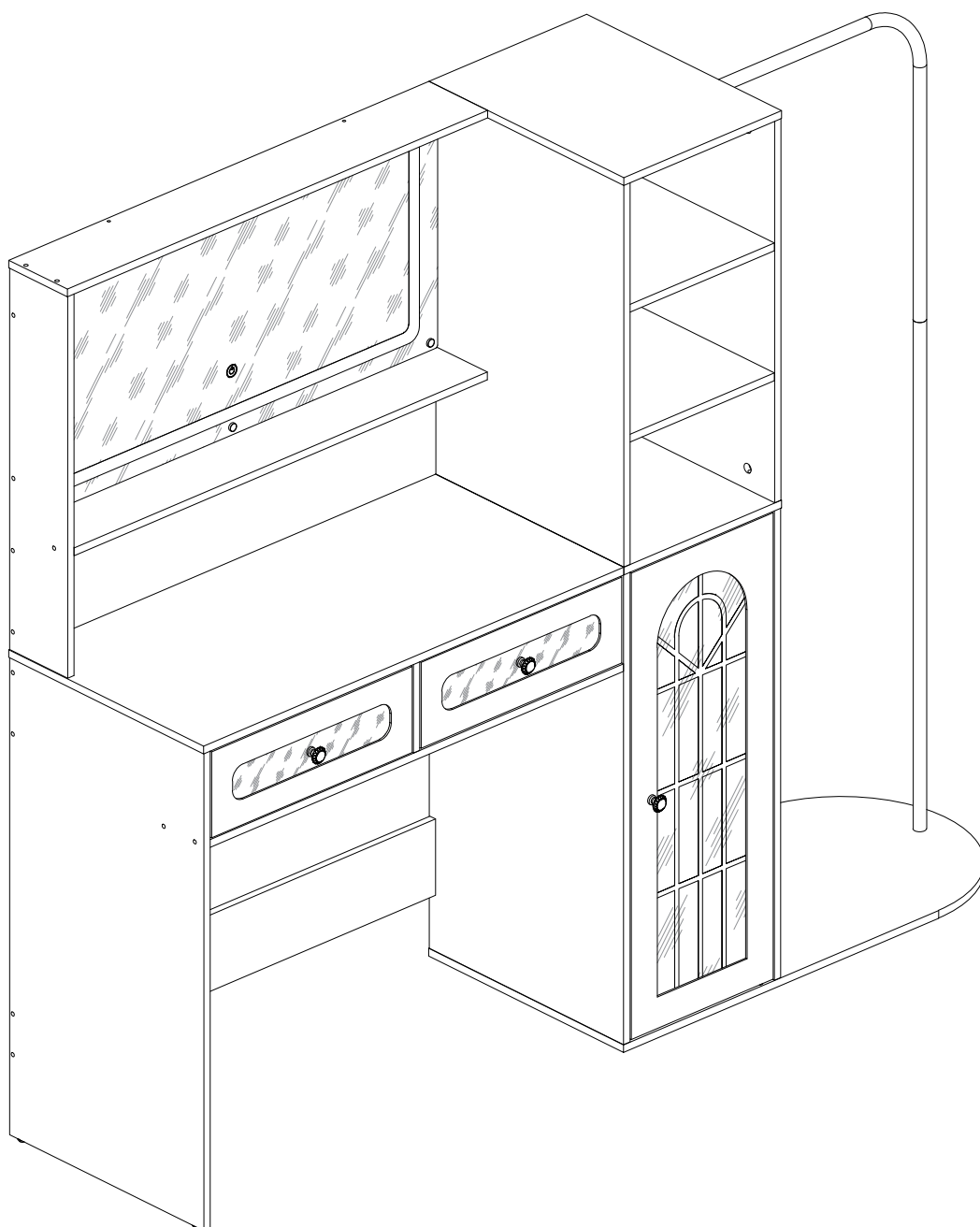
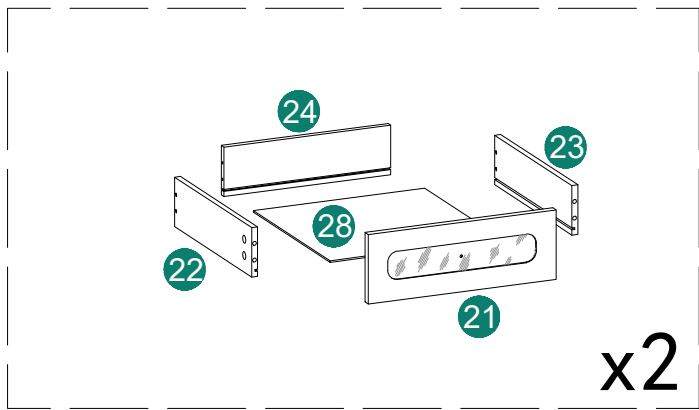
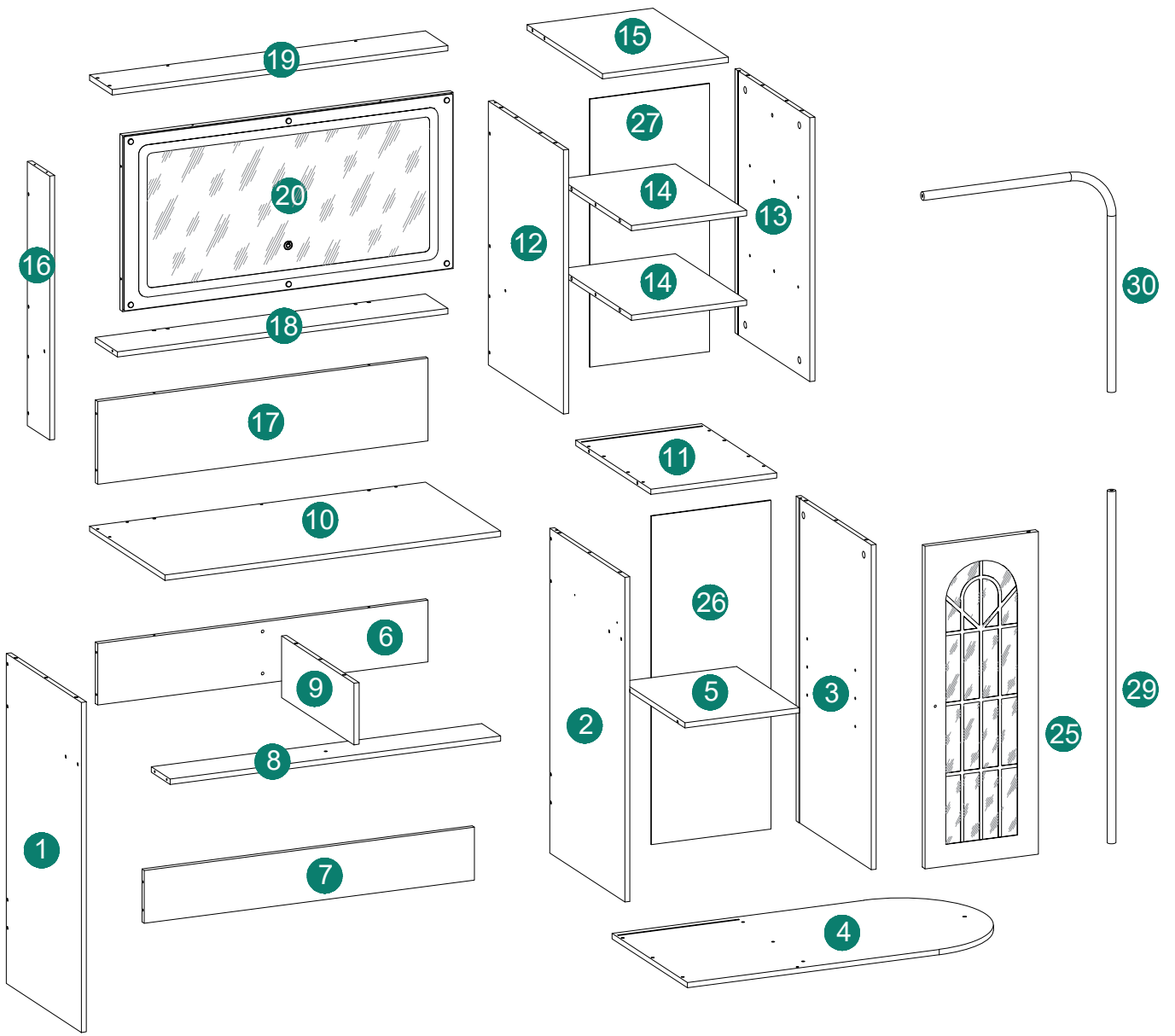


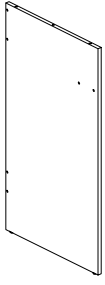
ASSEMBLY INSTRUCTION





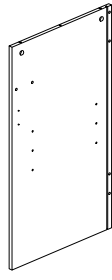
x2

1



1PC

2



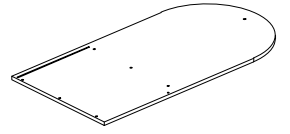
1PC

3



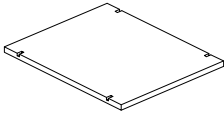
1PC

4



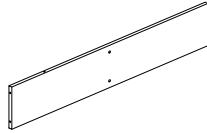
1PC

5



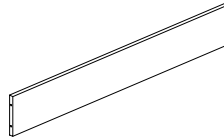
1PC

6



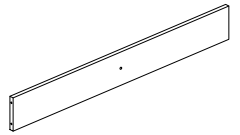
1PC

7



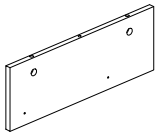
1PC

8



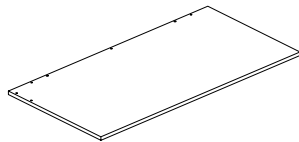
1PC

9



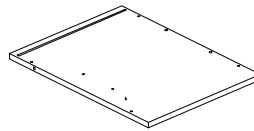
1PC

10



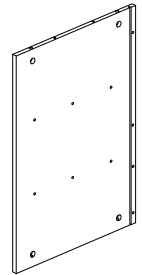
1PC

11



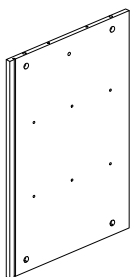
1PC

12



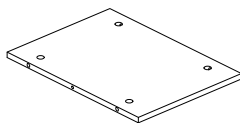
1PC

13



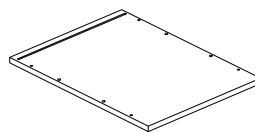
1PC

14



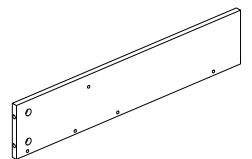
2PCS

15



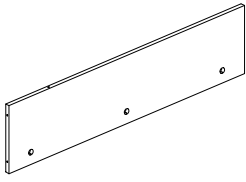
1PC

16



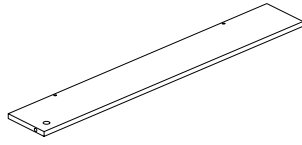
1PC

17



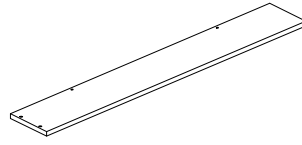
1PC

18



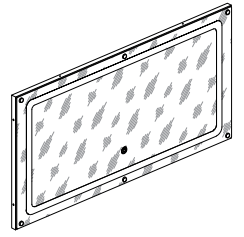
1PC

19



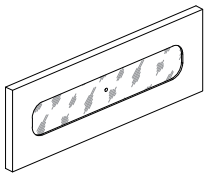
1PC

20



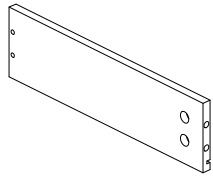
1PC

21



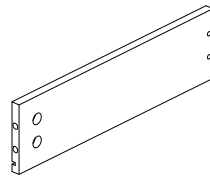
2PCS

22



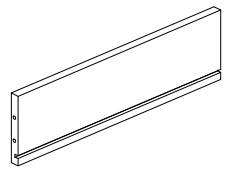
2PCS

23



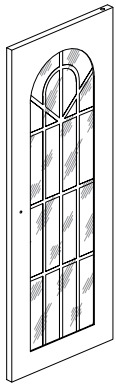
2PCS

24



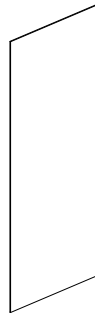
2PCS

25



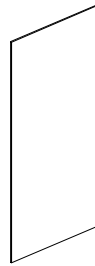
1PC

26



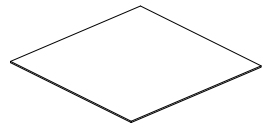
1PC

27



1PC

28



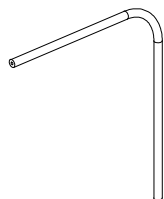
2PCS

29

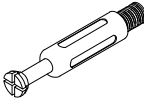
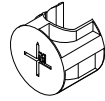
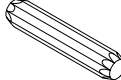
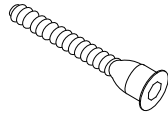
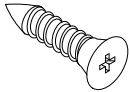
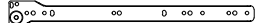
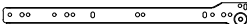
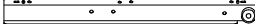

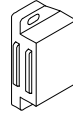

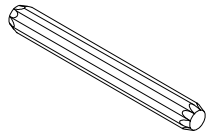
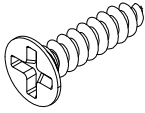
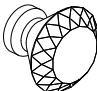

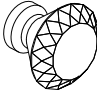

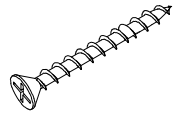
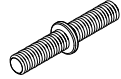
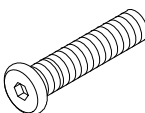
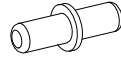
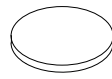


1PC

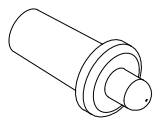
30



1PC

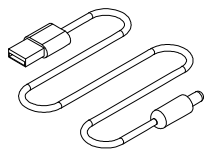
<p>A</p>  <p>M6*40</p> <p>38PCS</p>	<p>B</p>  <p>φ15*9.3mm</p> <p>38PCS</p>	<p>C</p>  <p>φ6*30mm</p> <p>20PCS</p>	<p>D</p>  <p>M5*38</p> <p>40PCS</p>
<p>E</p>  <p>M3*12</p> <p>18PCS</p>	<p>F</p> <p>CL </p> <p>CR </p> <p>DL </p> <p>DR </p> <p>350mm</p> <p>2PCS</p>	<p>G</p> <p>G1 </p> <p>G2 </p> <p>1PC</p>	<p>H</p>  <p>φ6*50mm</p> <p>4PCS</p>
<p>I</p>  <p>M3*14</p> <p>14PCS</p>	<p>J</p> <p>J1 </p> <p>J2 </p> <p>M4*18</p> <p>1PC</p>	<p>K</p> <p>K1 </p> <p>K2 </p> <p>M4*8</p> <p>2PCS</p>	<p>L</p>  <p>M3.5*20</p> <p>4PCS</p>
<p>M</p>  <p>M6*40</p> <p>1PC</p>	<p>N</p>  <p>M6*25</p> <p>2PCS</p>	<p>O</p>  <p>φ5*20mm</p> <p>4PCS</p>	<p>P</p>  <p>33PCS</p>

Q



2PCS

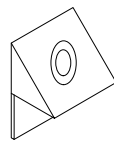
R



2m

1PC

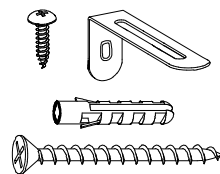
S



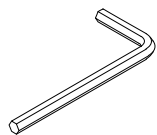
12PCS

T

M4*12

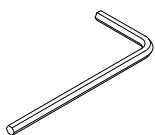


1PC



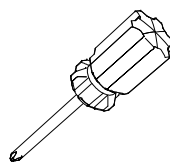
4MM

1PC



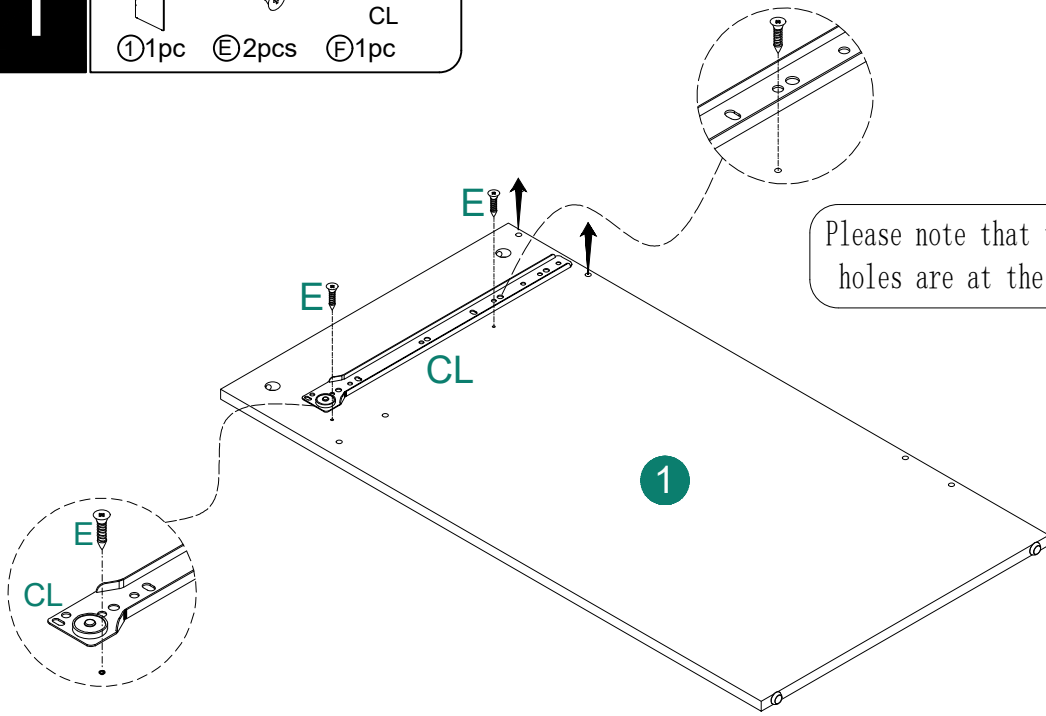
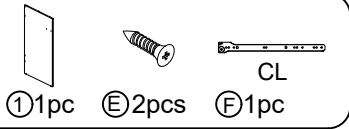
3MM

1PC

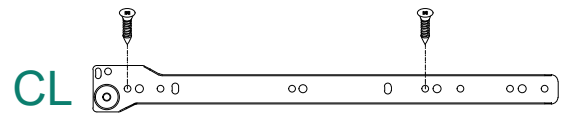
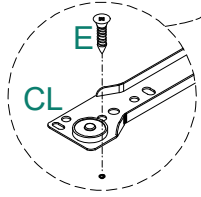


1PC

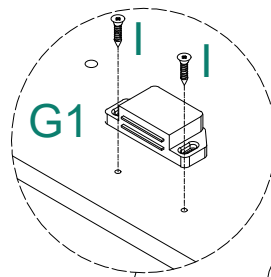
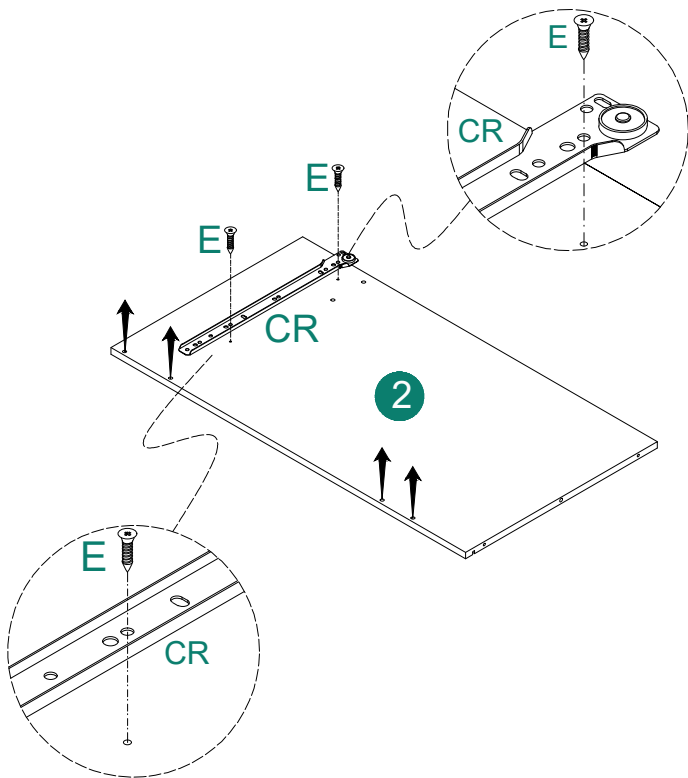
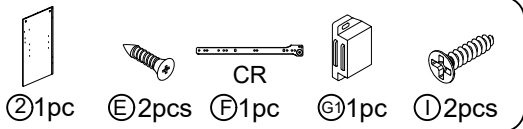
1



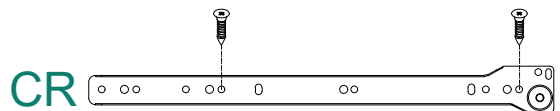
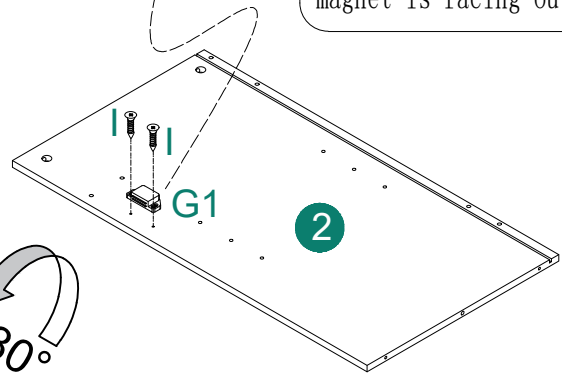
Please note that these two holes are at the back



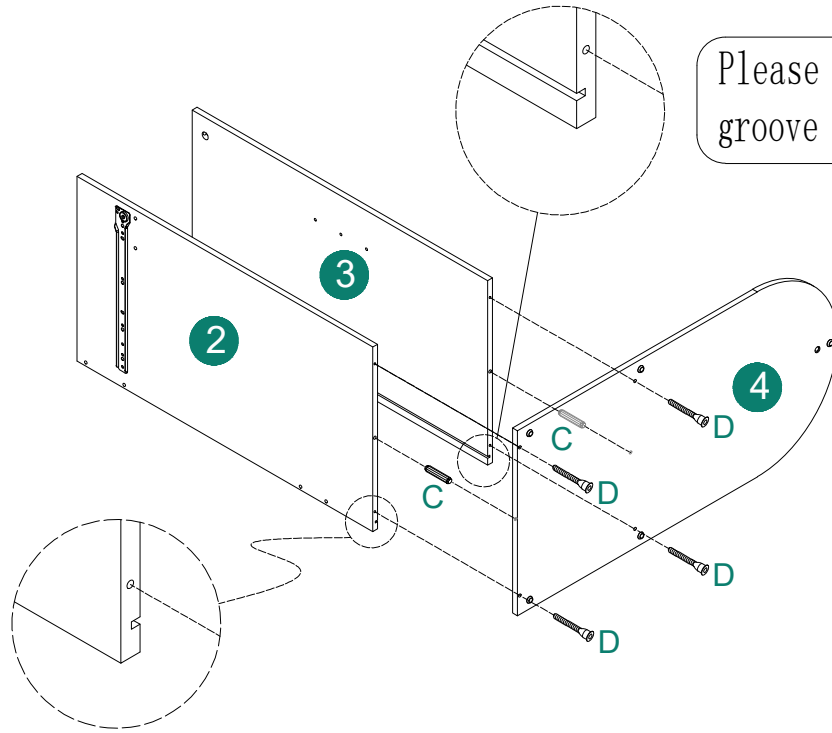
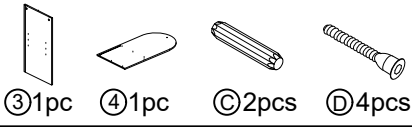
2



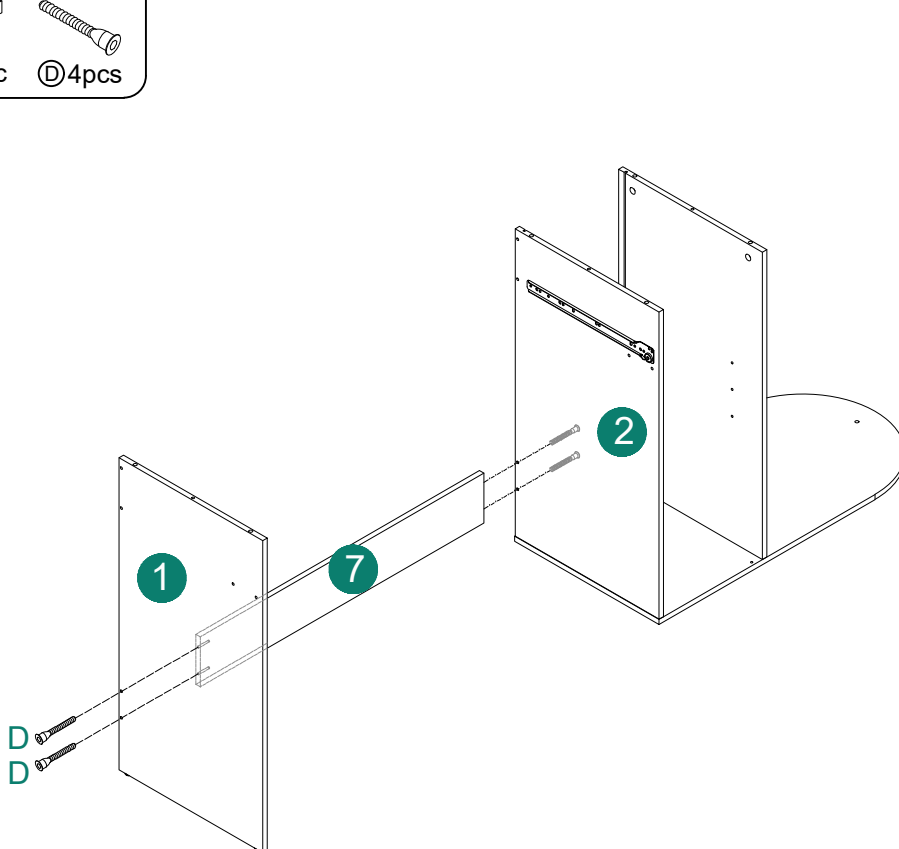
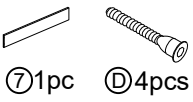
Please note that the magnet is facing outward



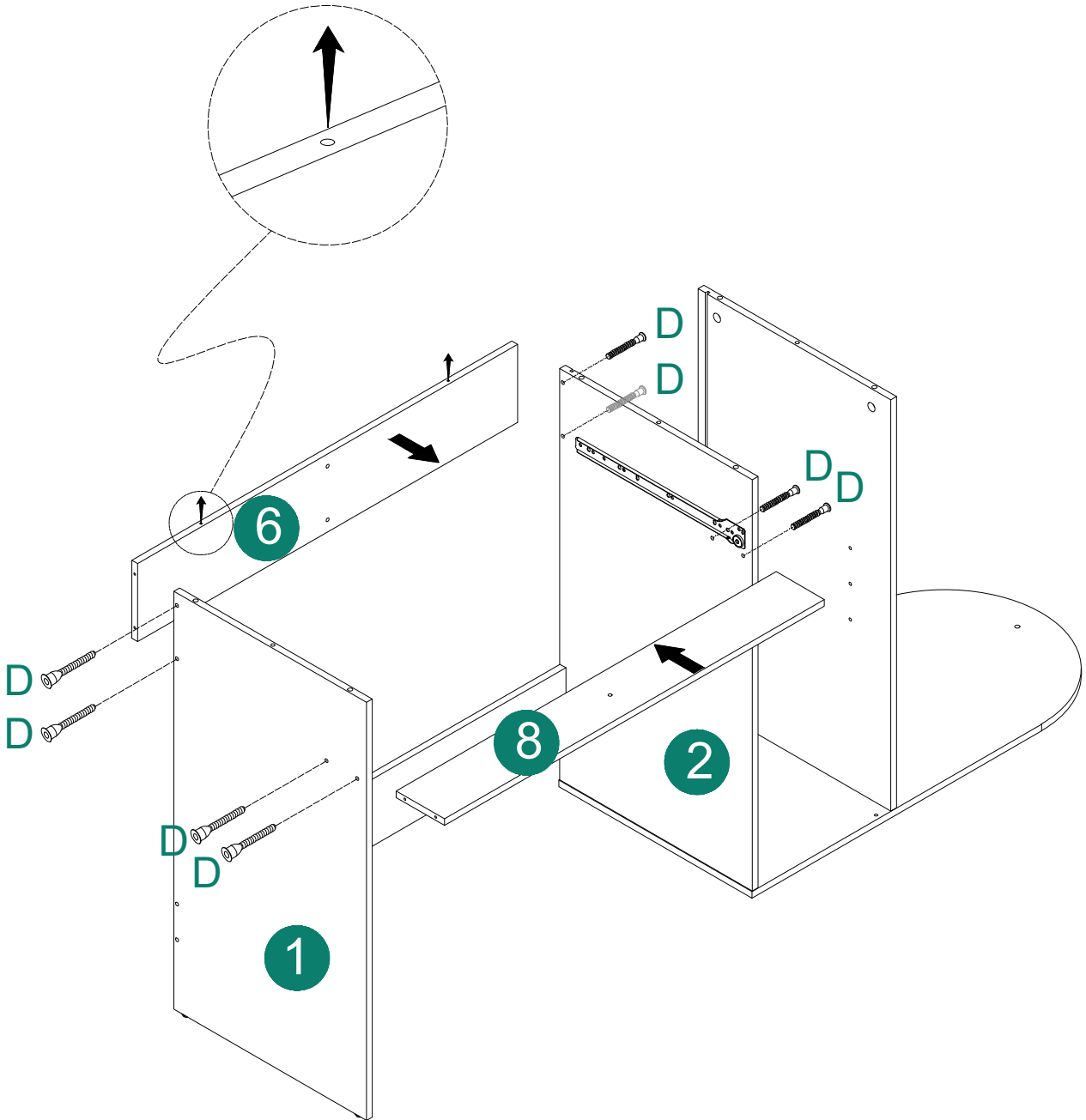
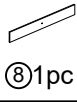
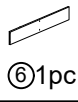
3



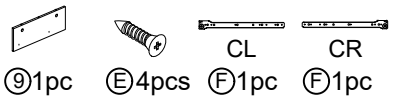
4



5

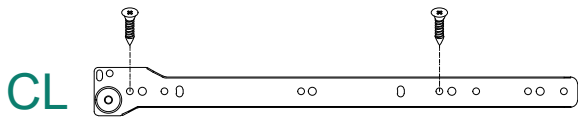
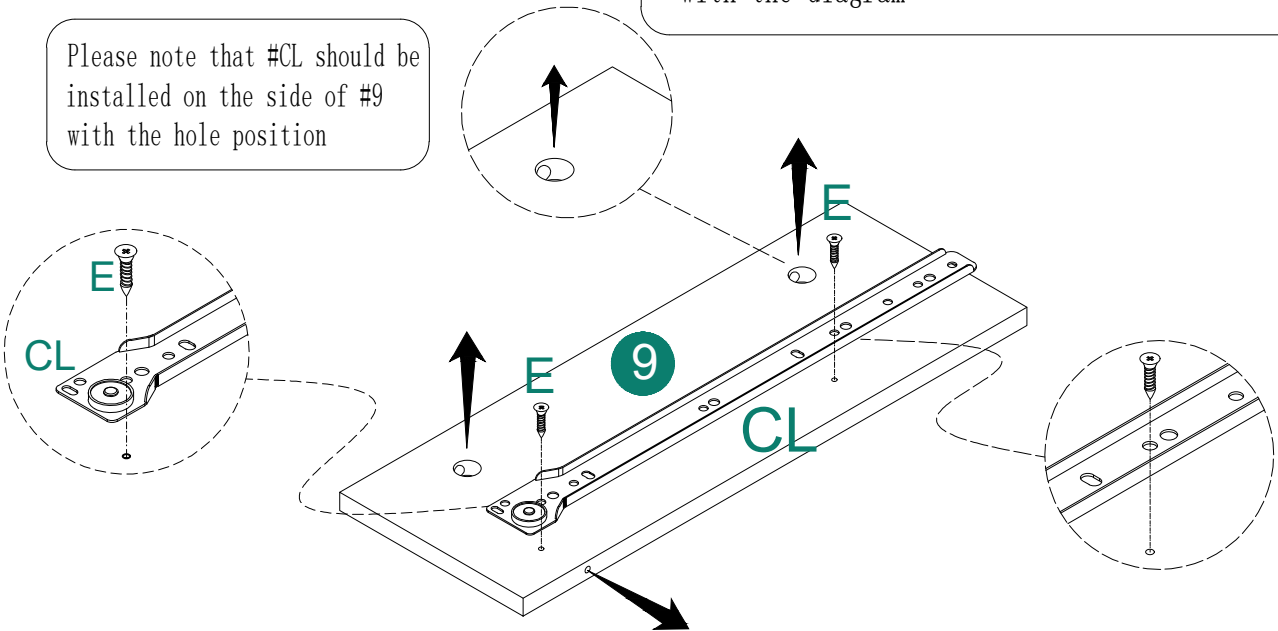


6

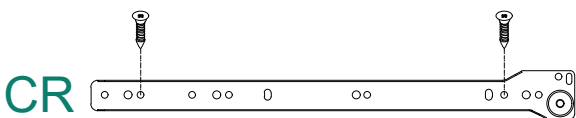
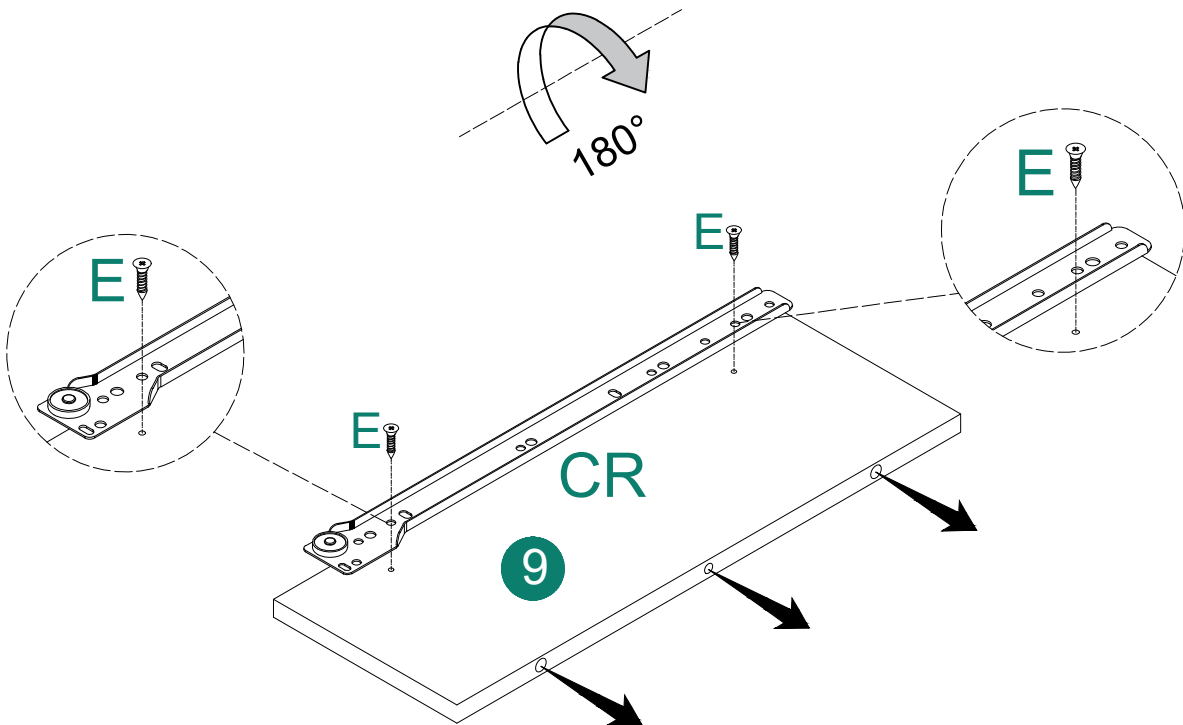



1. Please pay close attention to the direction indication of the arrow when installing
2. When installing, the placement and Angle of the accessories should be in accordance with the diagram

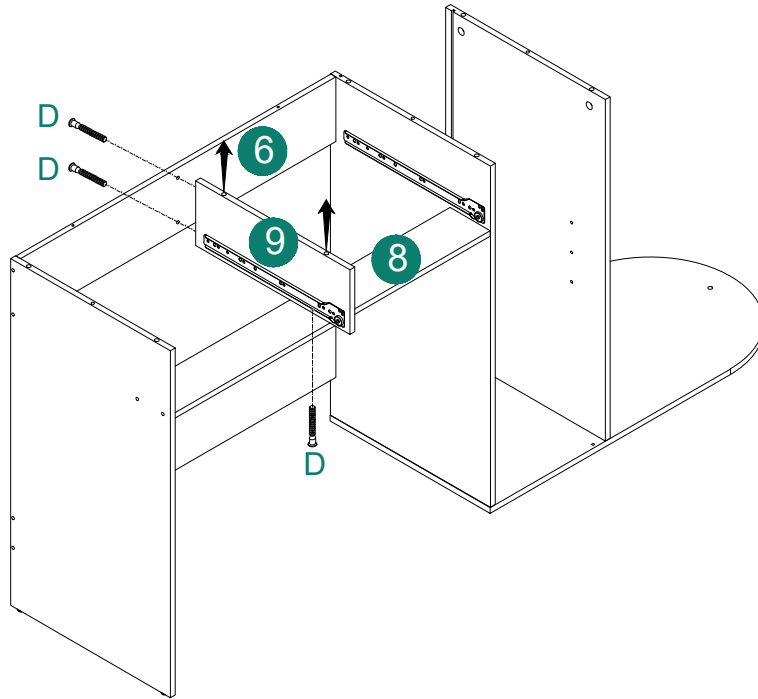
Please note that #CL should be installed on the side of #9 with the hole position

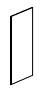


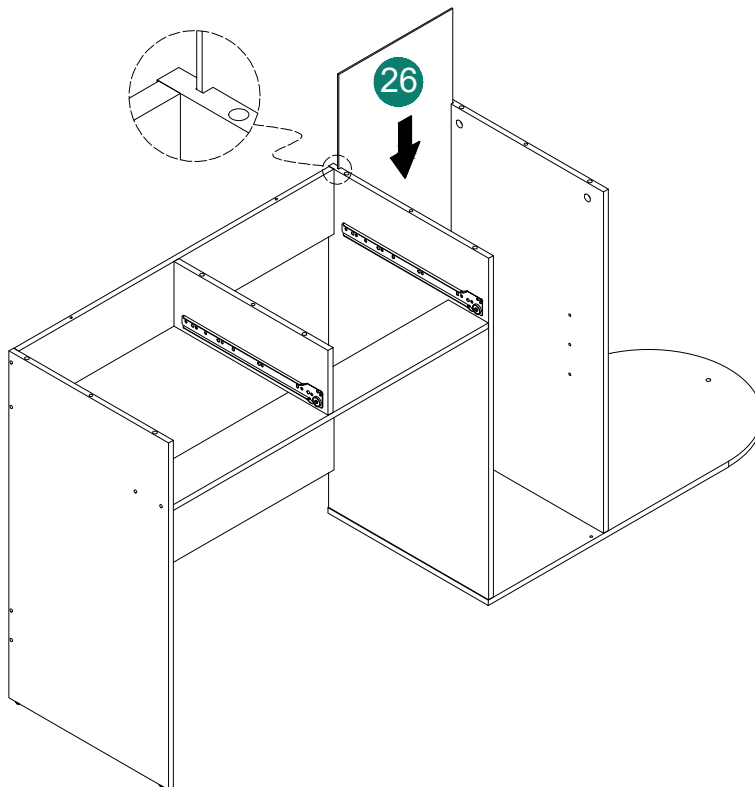
Please note that the holes through which #E screws pass through CL are different from those through which they pass through CR. Please be careful to distinguish them during installation



7 
ⓓ3pcs



8 
⓪1pc



9



⑩1pc

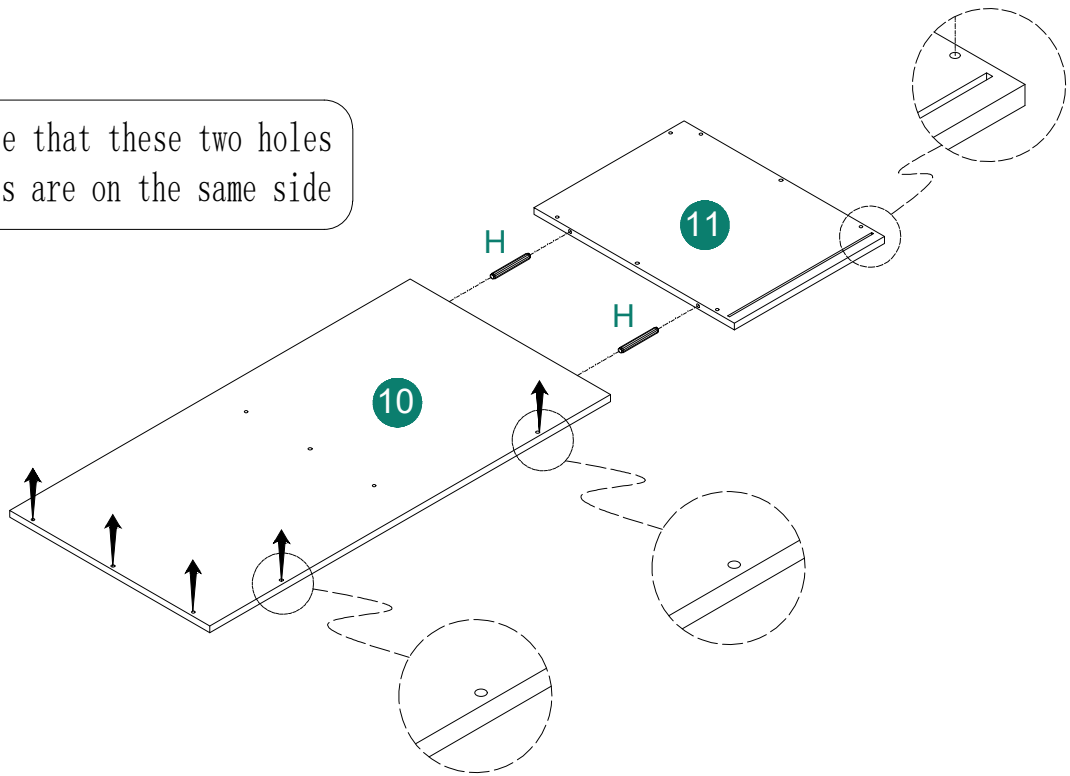


⑪1pc



Ⓜ2pcs

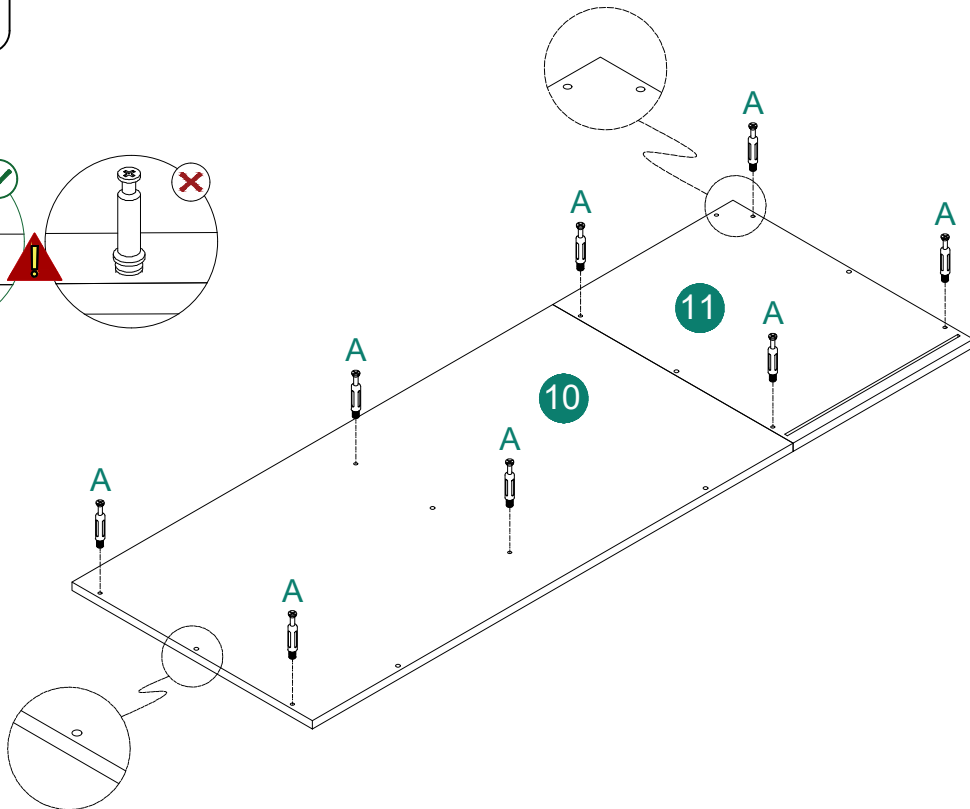
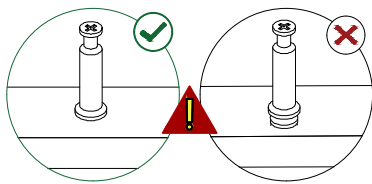
Please note that these two holes and grooves are on the same side



10



Ⓐ8pcs



11



ⓑ8pcs



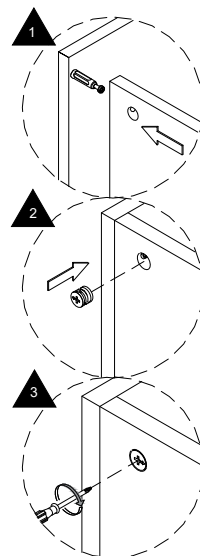
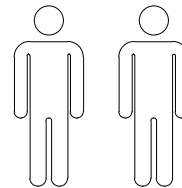
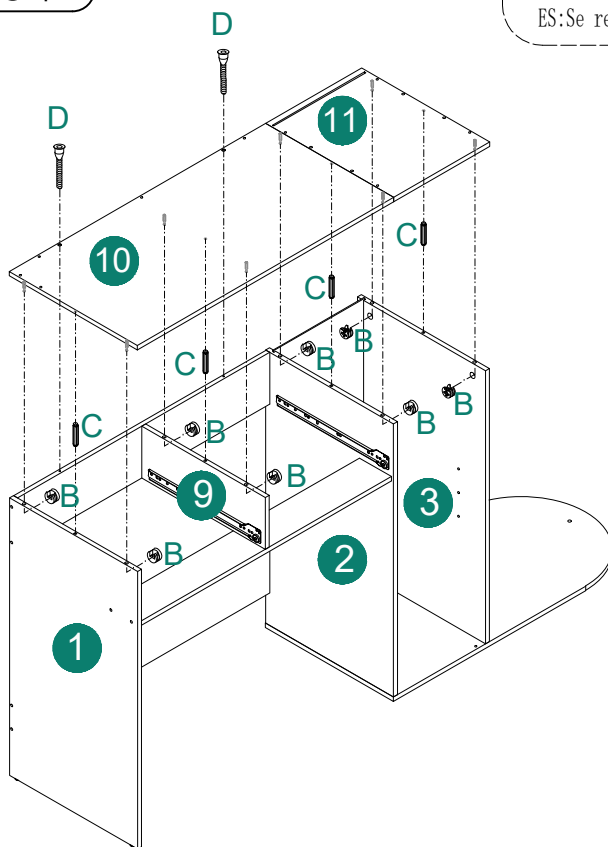
ⓒ4pcs



ⓓ2pcs



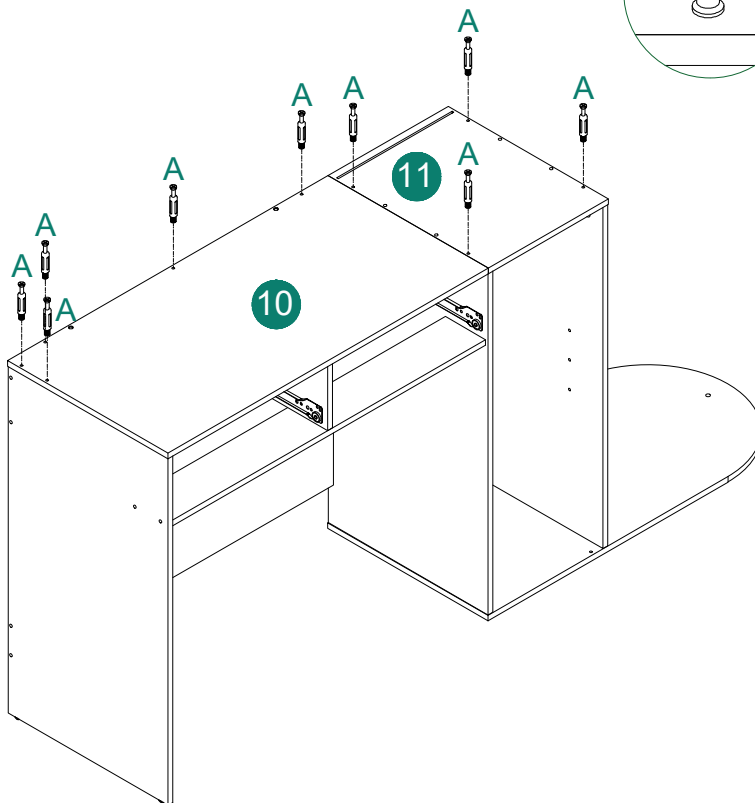
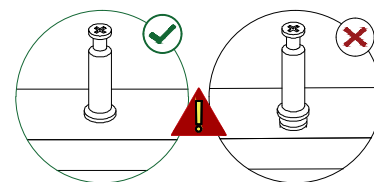
EN: Two people are needed to install it
DE: Zur Installation werden zwei Personen benötigt
FR: L'installation nécessite deux personnes
IT: Per l'installazione sono necessarie due persone
ES: Se requieren dos personas para la instalación



12

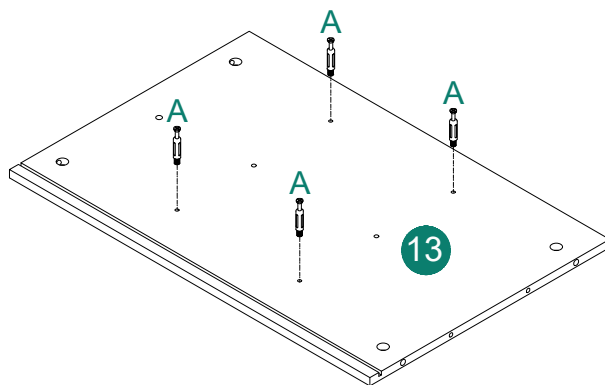
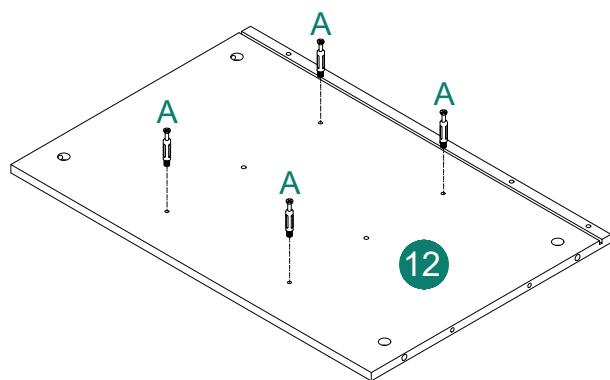
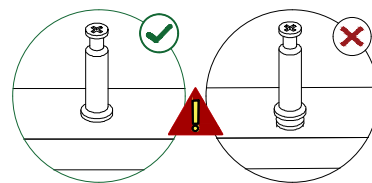


Ⓐ9pcs



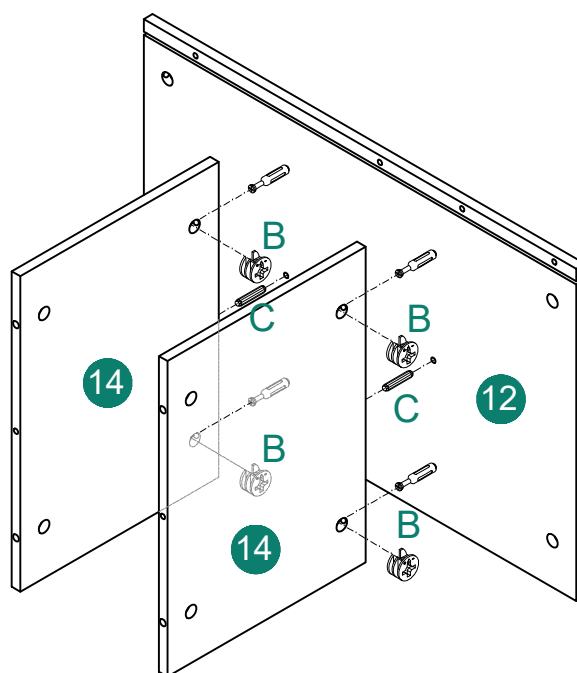
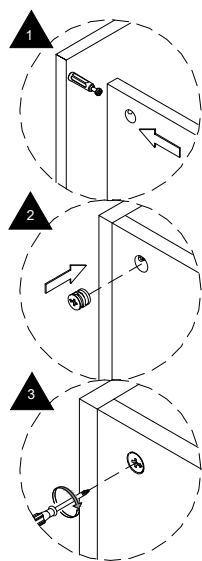
13

⑫1pc ⑬1pc ①8pcs

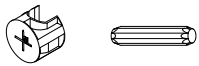


14

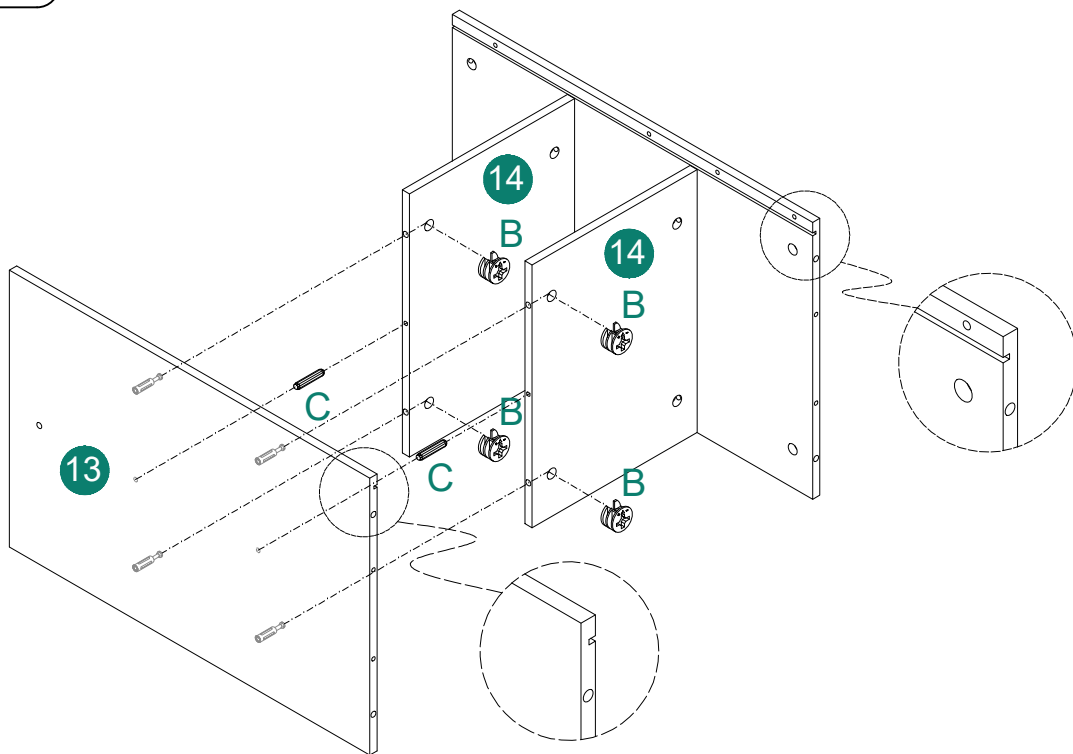
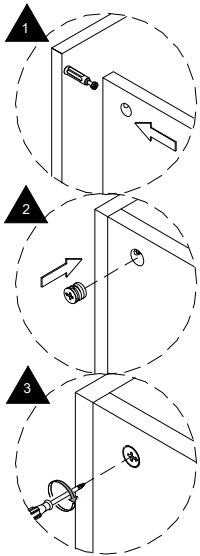
⑭2pcs ①4pcs ②2pcs



15



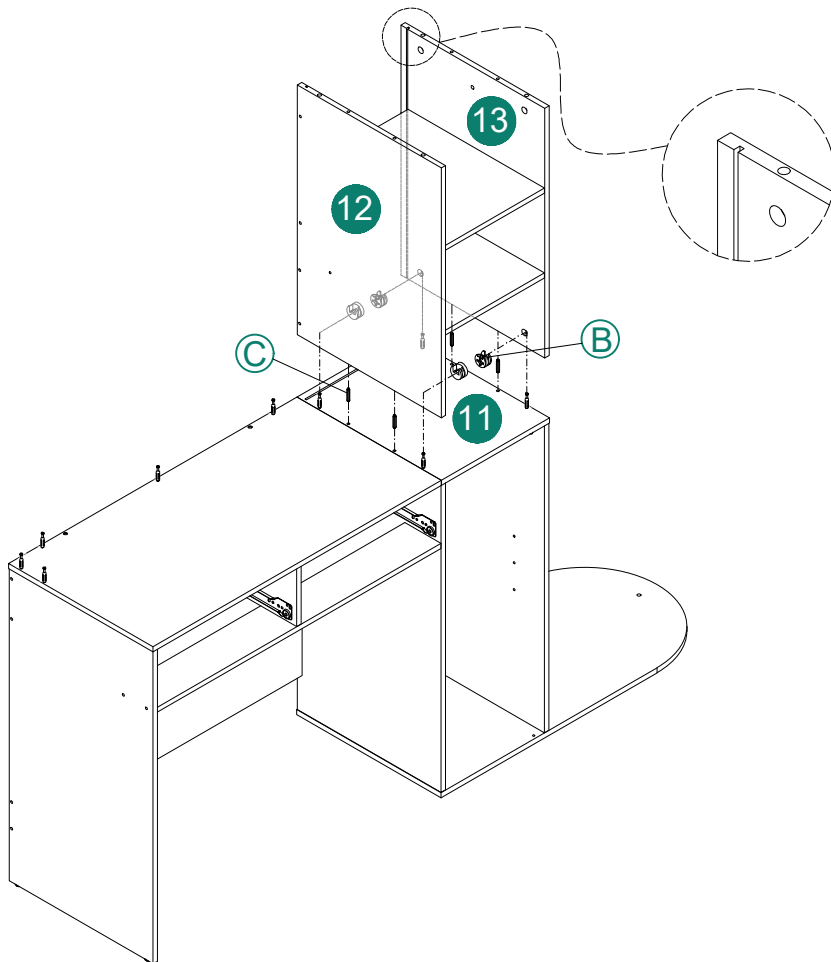
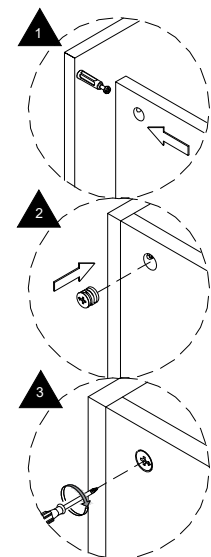
Ⓑ 4pcs Ⓒ 2pcs



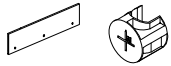
16



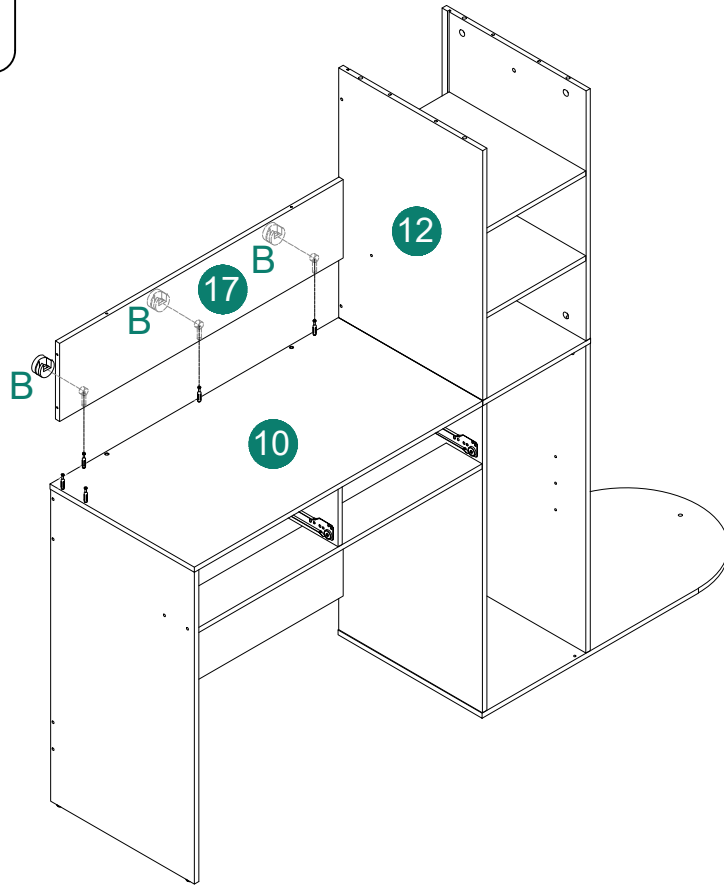
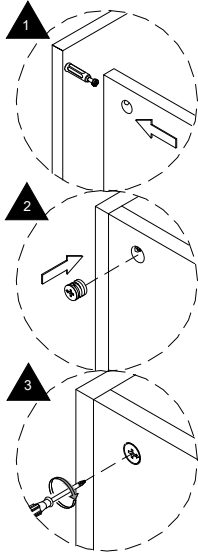
Ⓑ 4pcs Ⓒ 4pcs



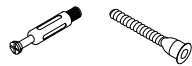
17



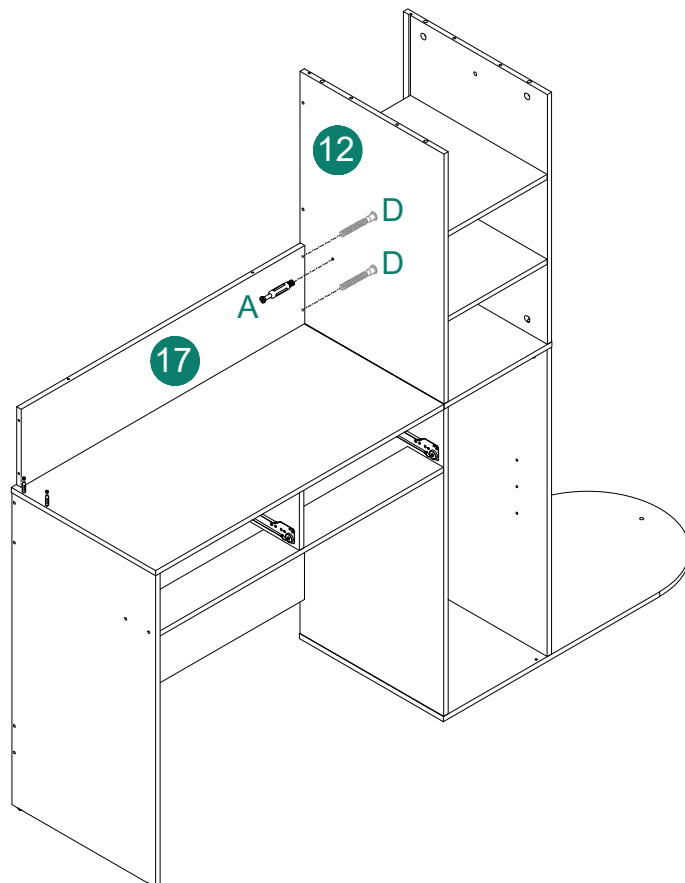
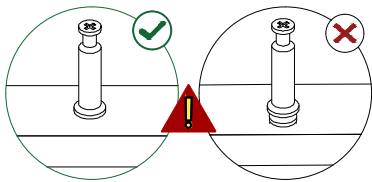
⑰1pc ⑱3pcs



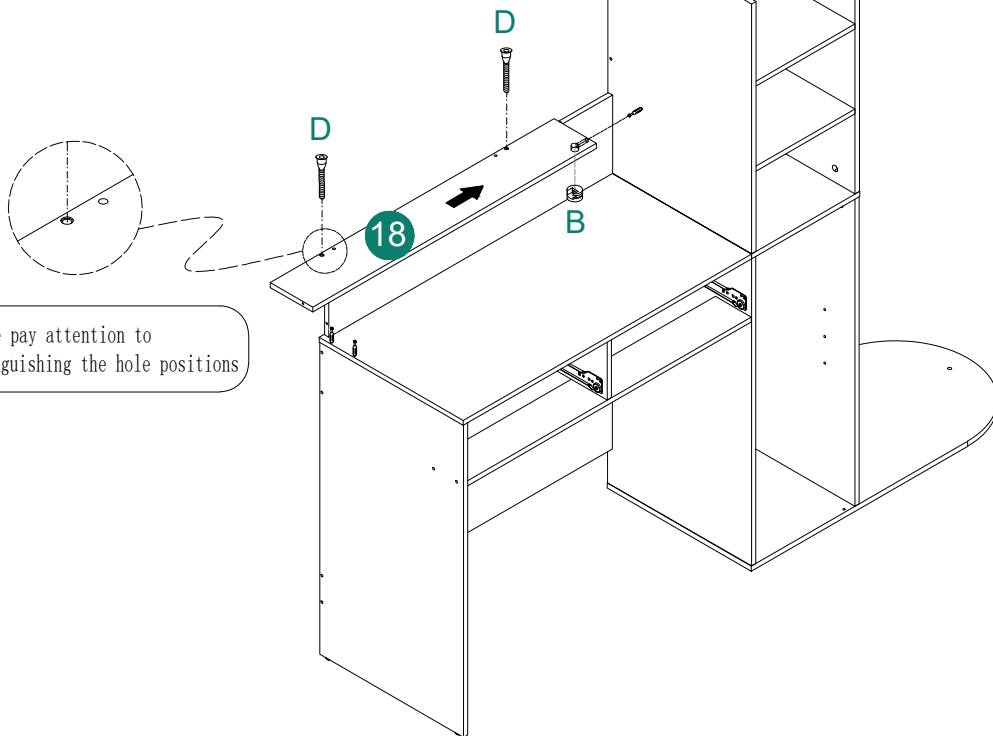
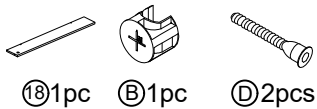
18



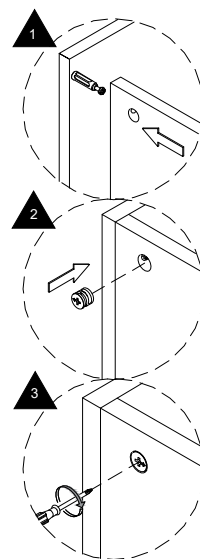
Ⓐ1pc Ⓓ2pcs



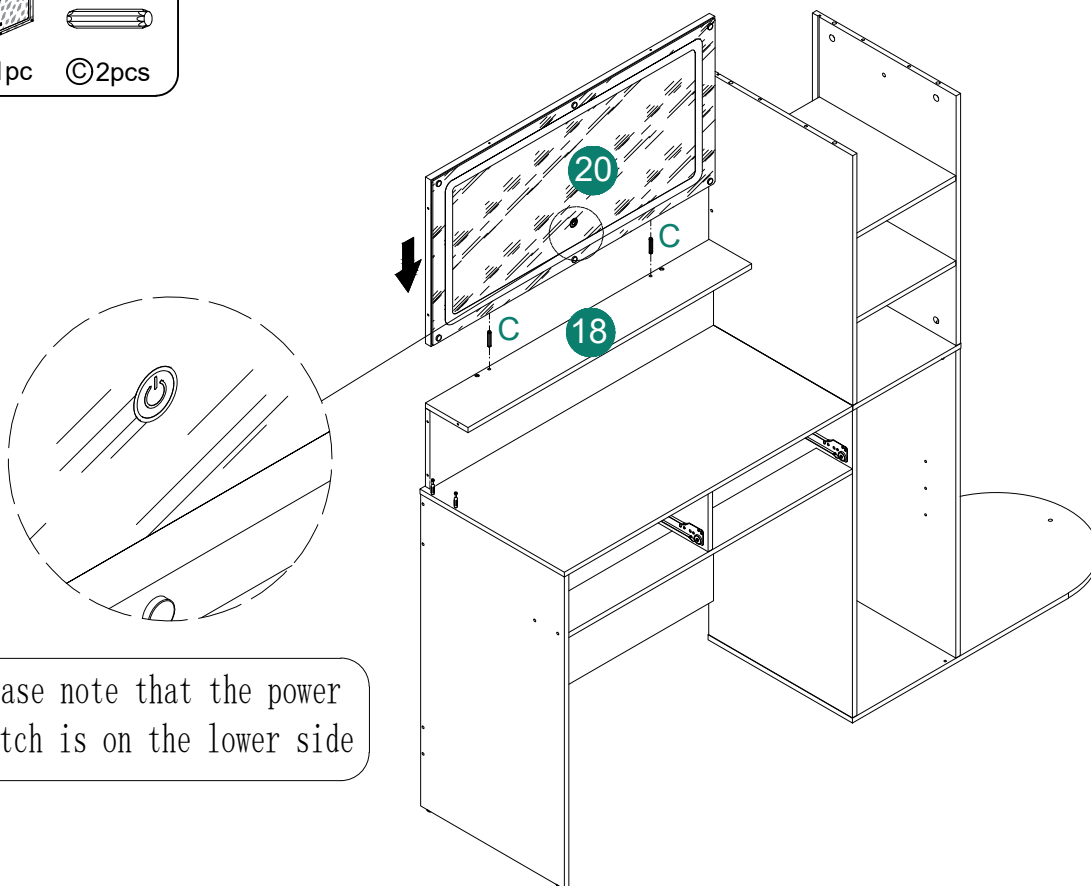
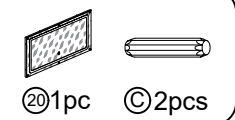
19




Please pay attention to distinguishing the hole positions

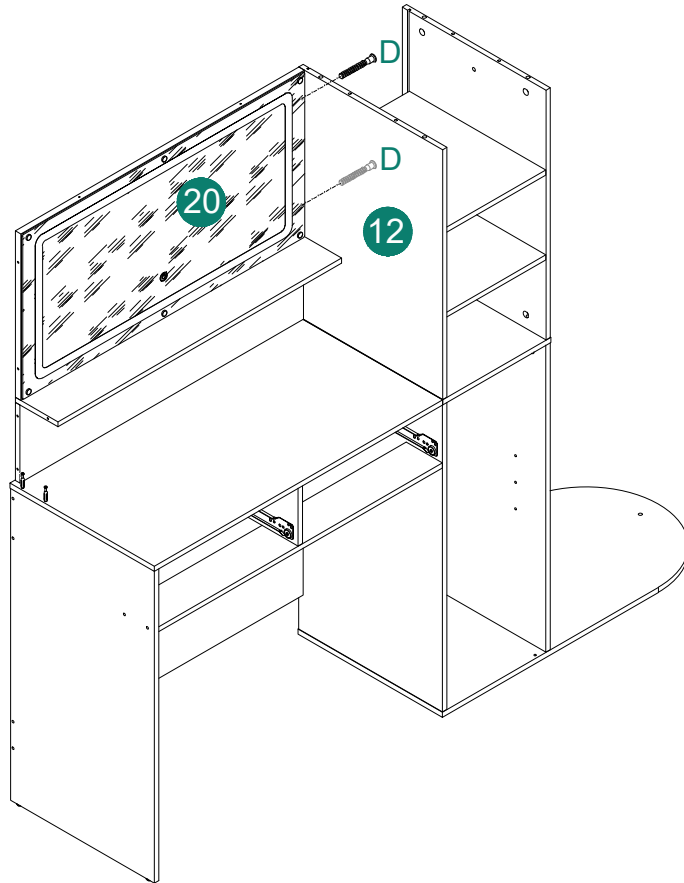



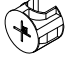
20

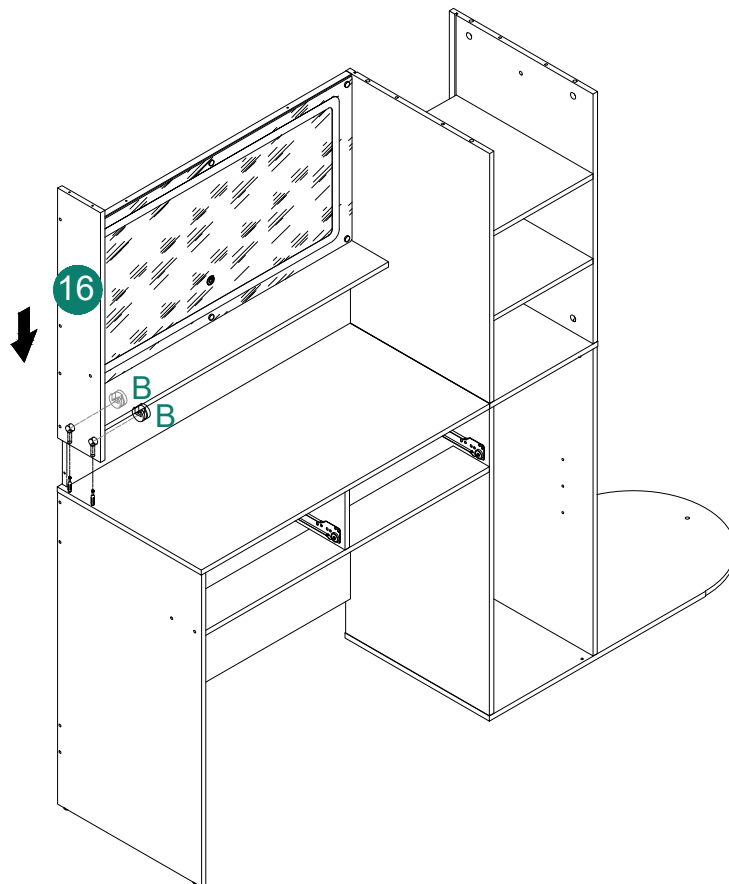
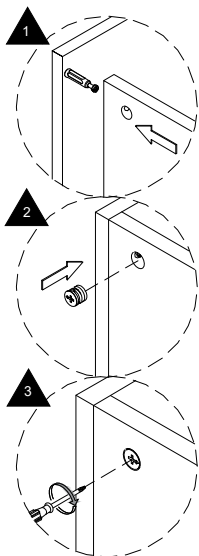


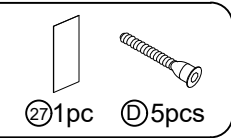

Please note that the power switch is on the lower side

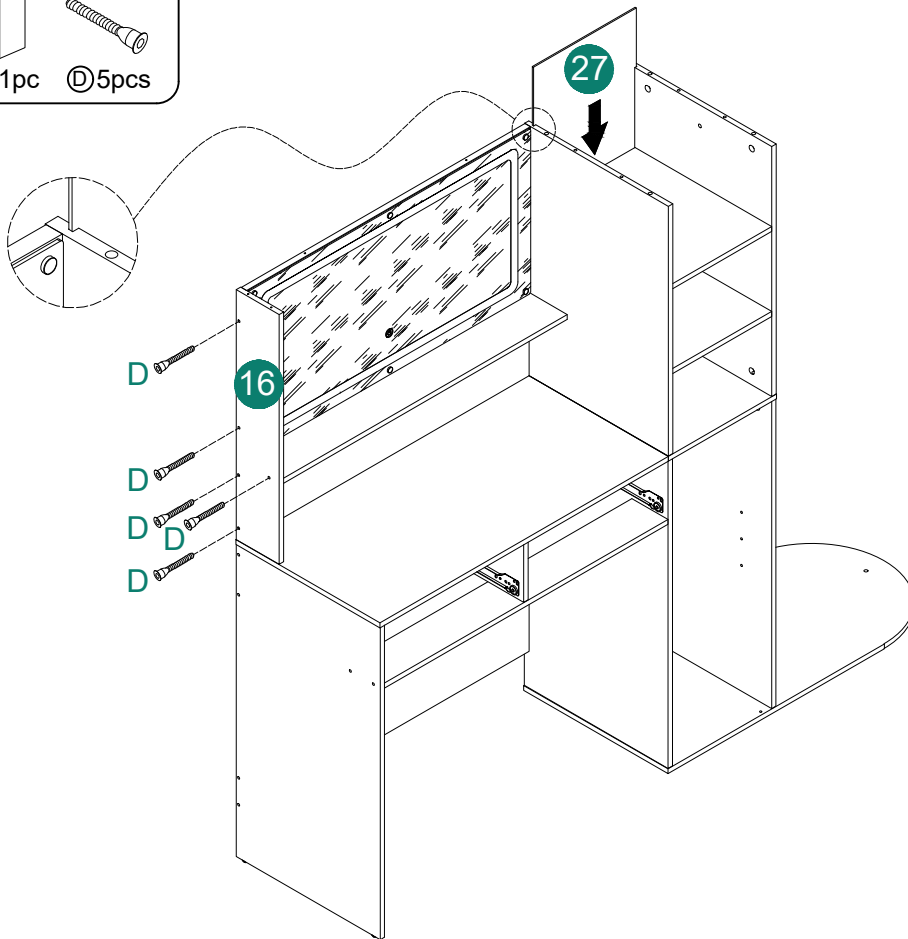
21  **ⓓ 2pcs**

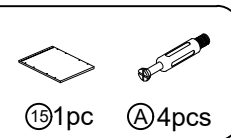



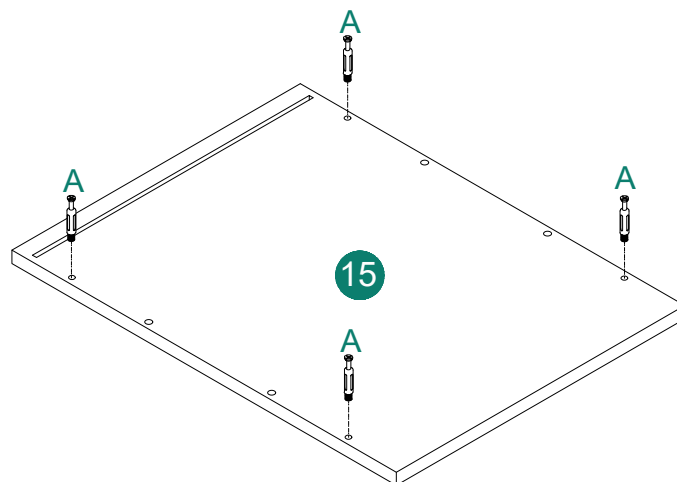
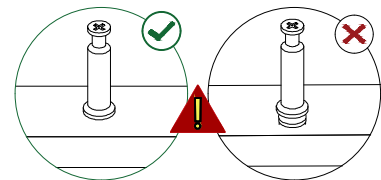
22  **ⓐ 1pc**  **ⓑ 2pcs**



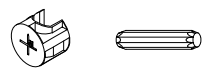
23  27 1pc  D 5pcs



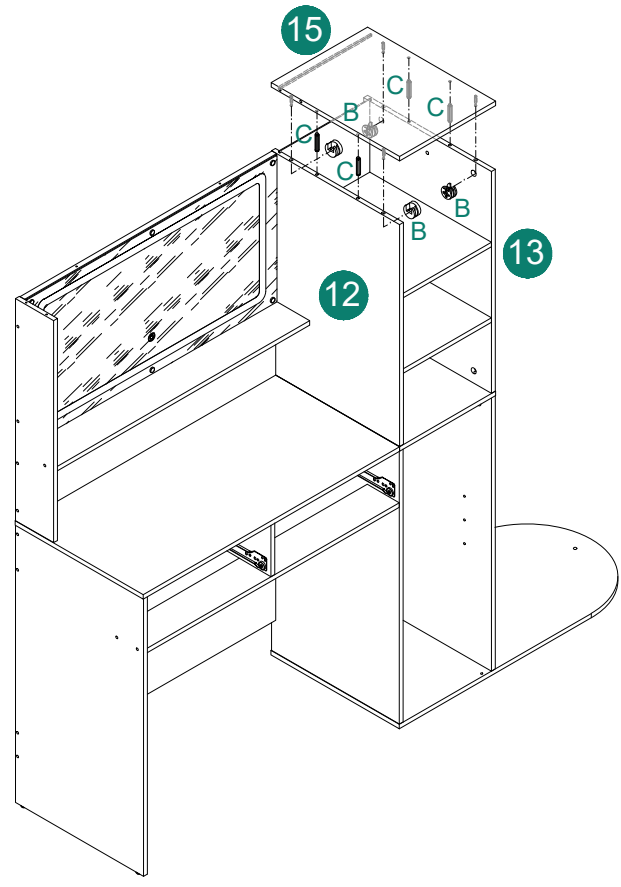
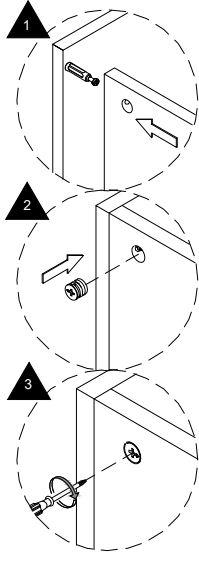
24  15 1pc  A 4pcs




25



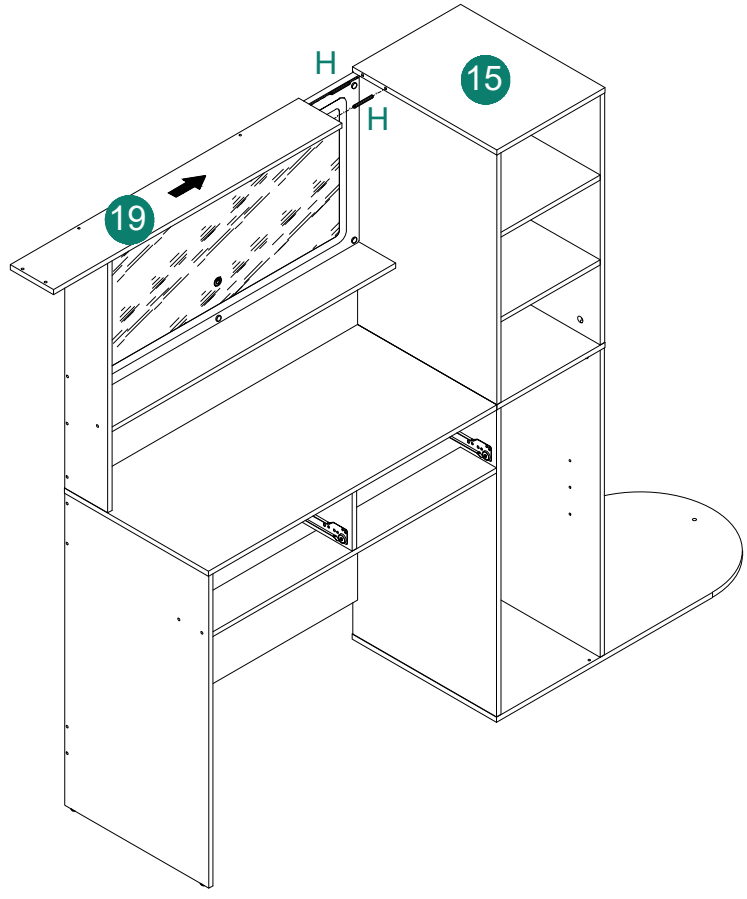
Ⓑ 4pcs Ⓒ 4pcs




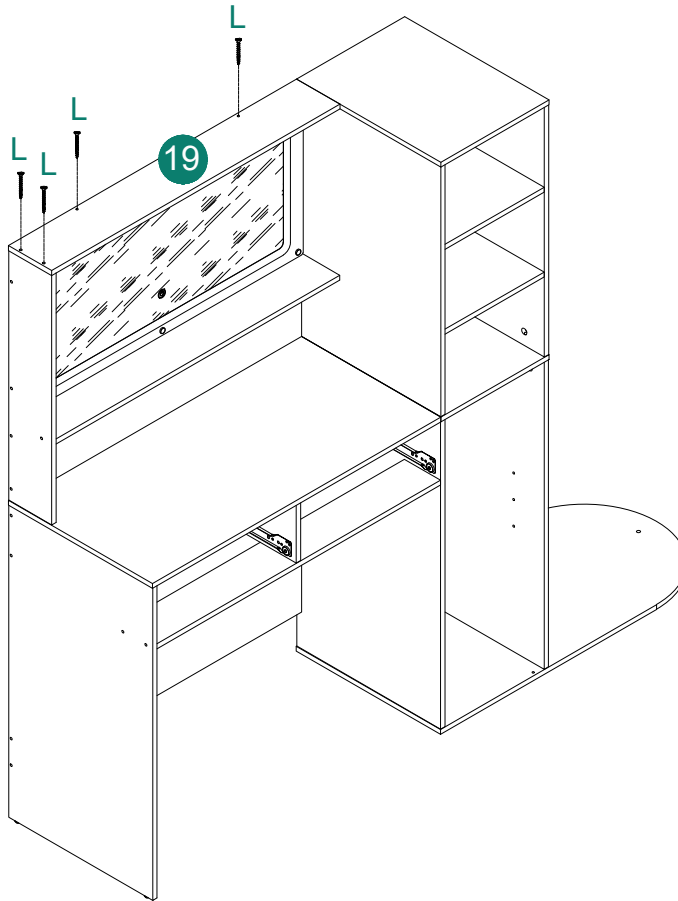
26


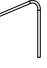



Ⓘ 1pc Ⓗ 2pcs

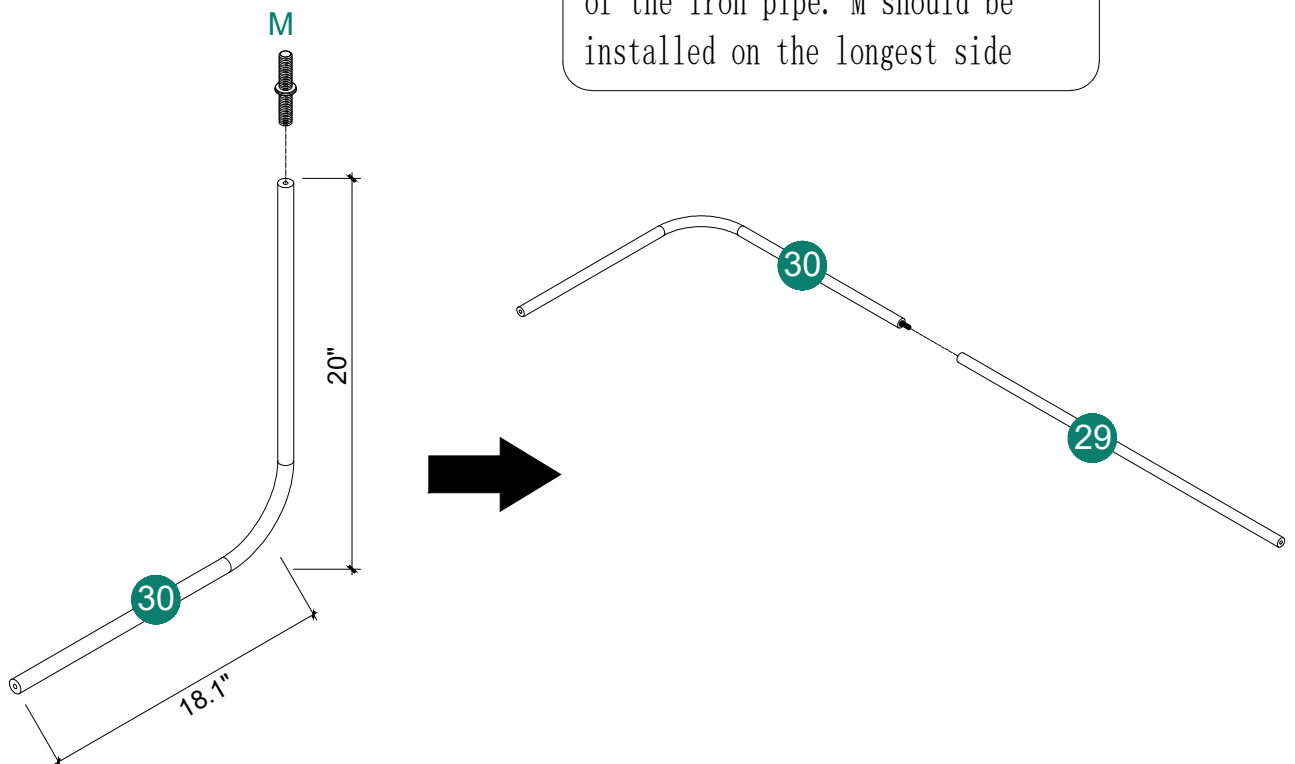


27  L 4pcs

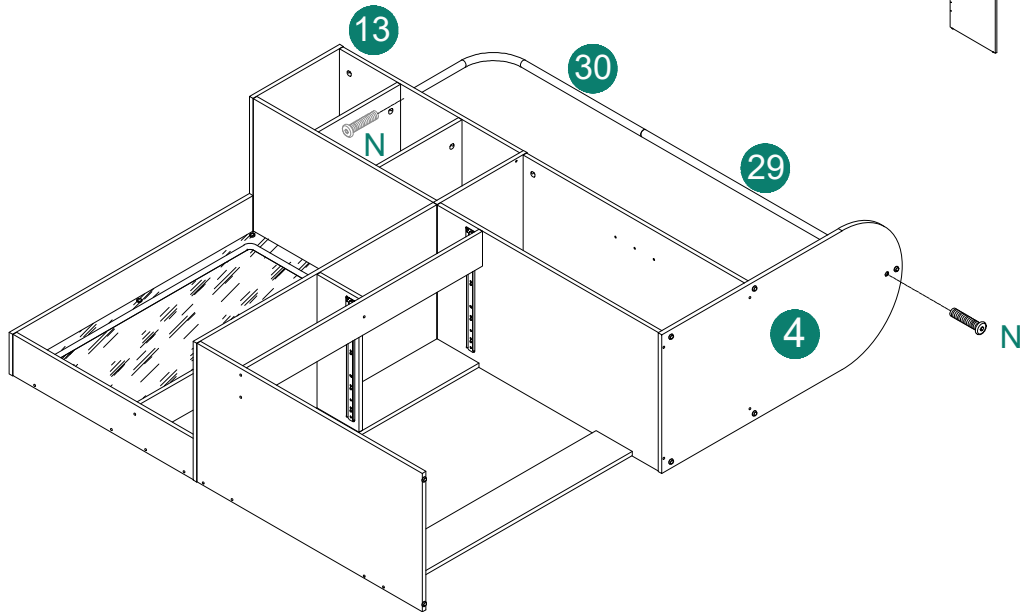
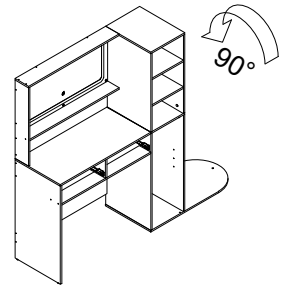


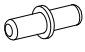
28  29 1pc  30 1pc  M 1pc

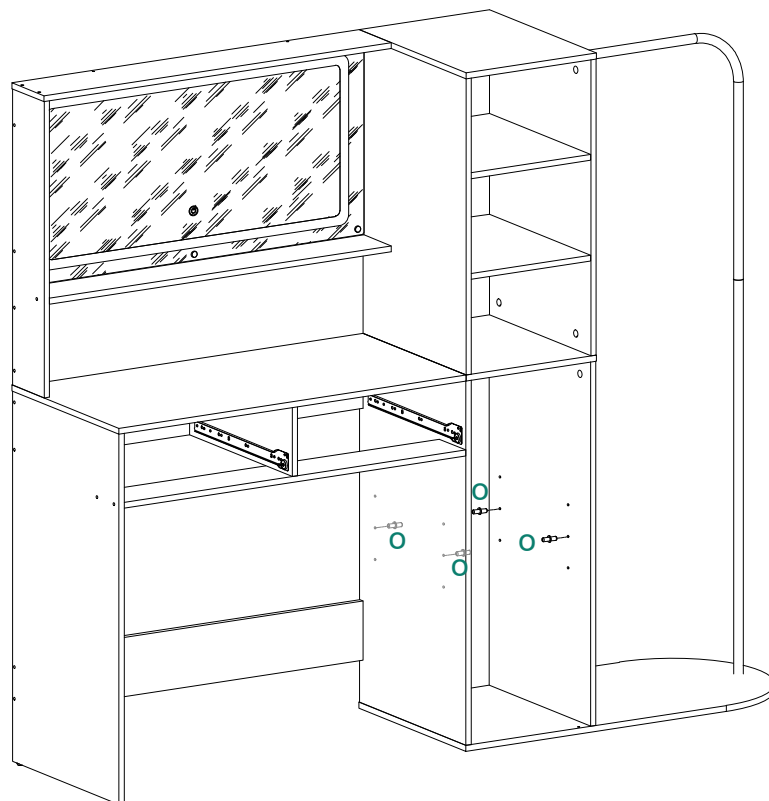
Please pay attention to the length of the iron pipe. M should be installed on the longest side




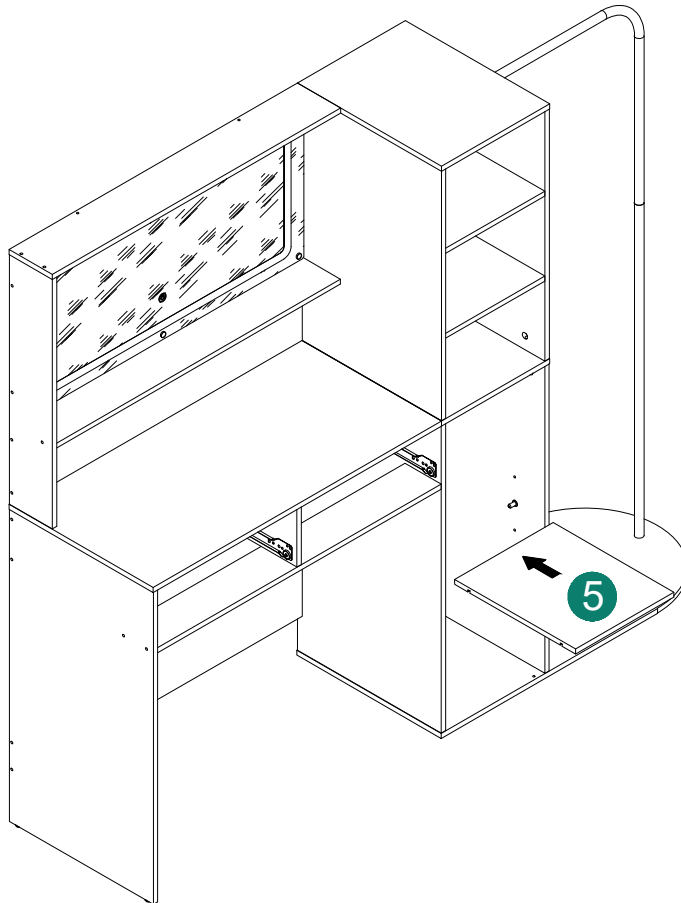
29 
Ⓝ2pcs


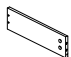
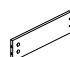



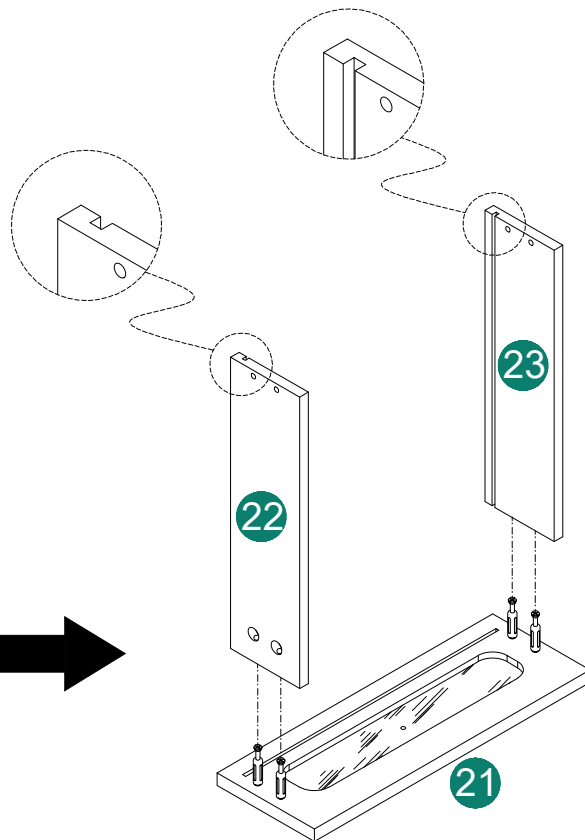
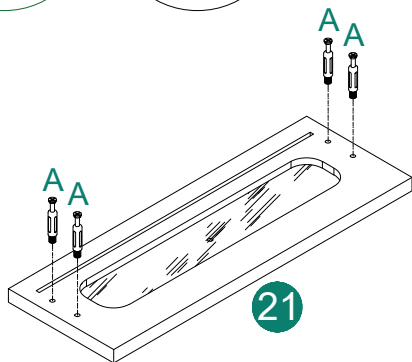
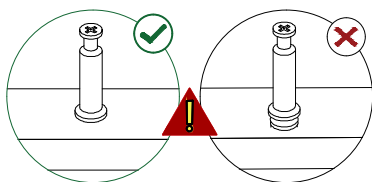
30 
Ⓞ4pcs



31  ⑤1pc

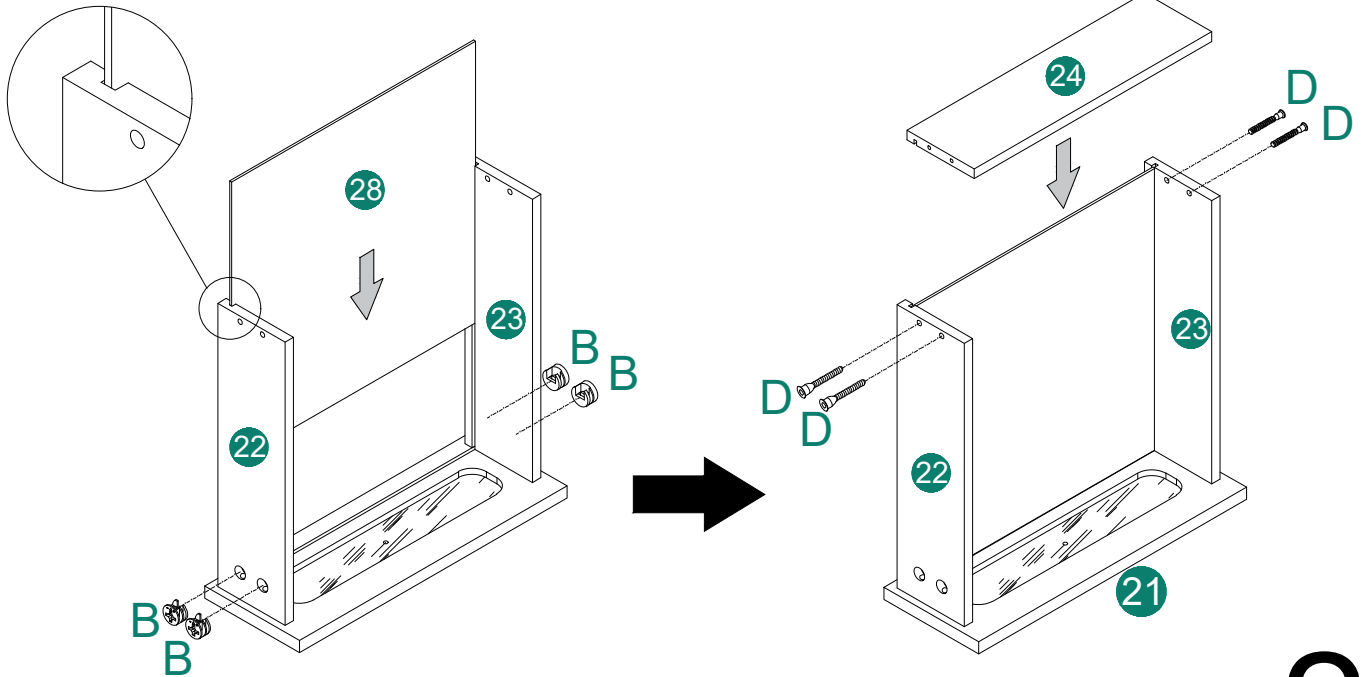
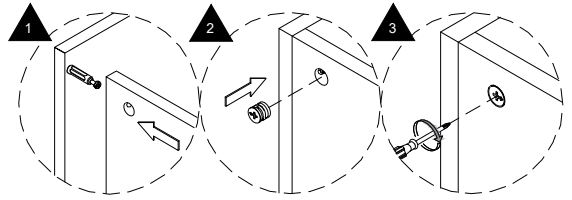
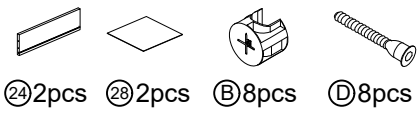


32  ②12pcs  ②2pcs  ②2pcs  ④8pcs



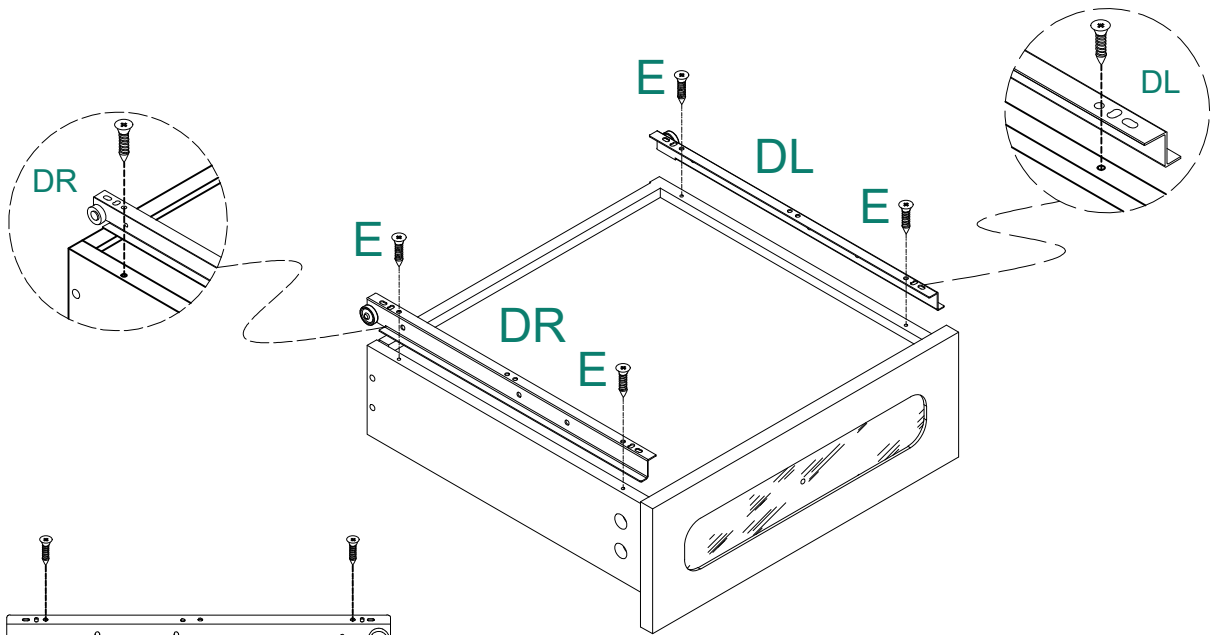
x2

33

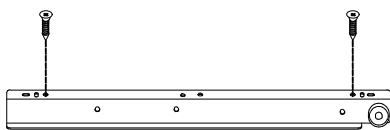


x2

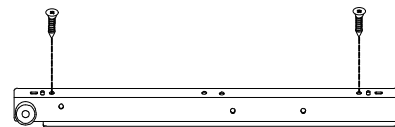
34



DL



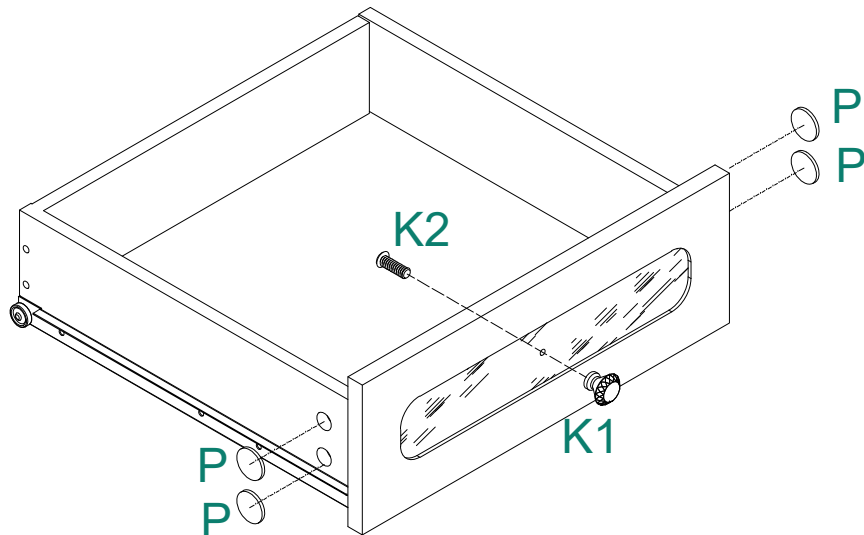
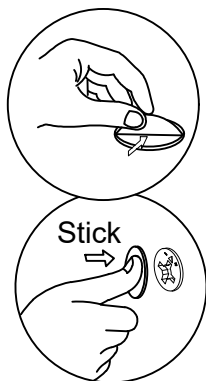
DR



x2

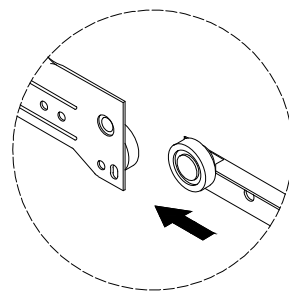
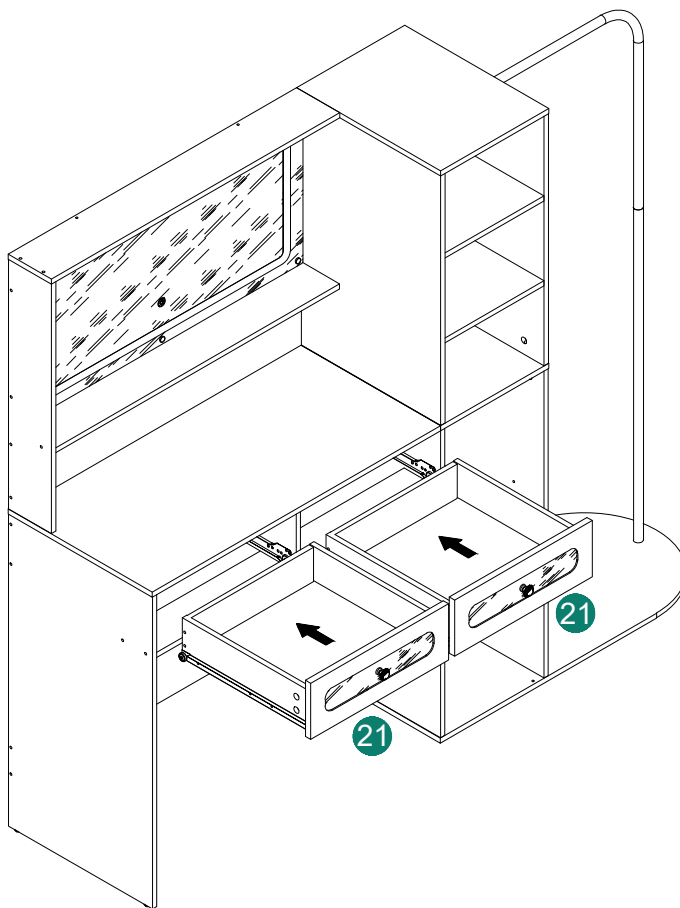
35

K1 2pcs K2 2pcs P 8pcs

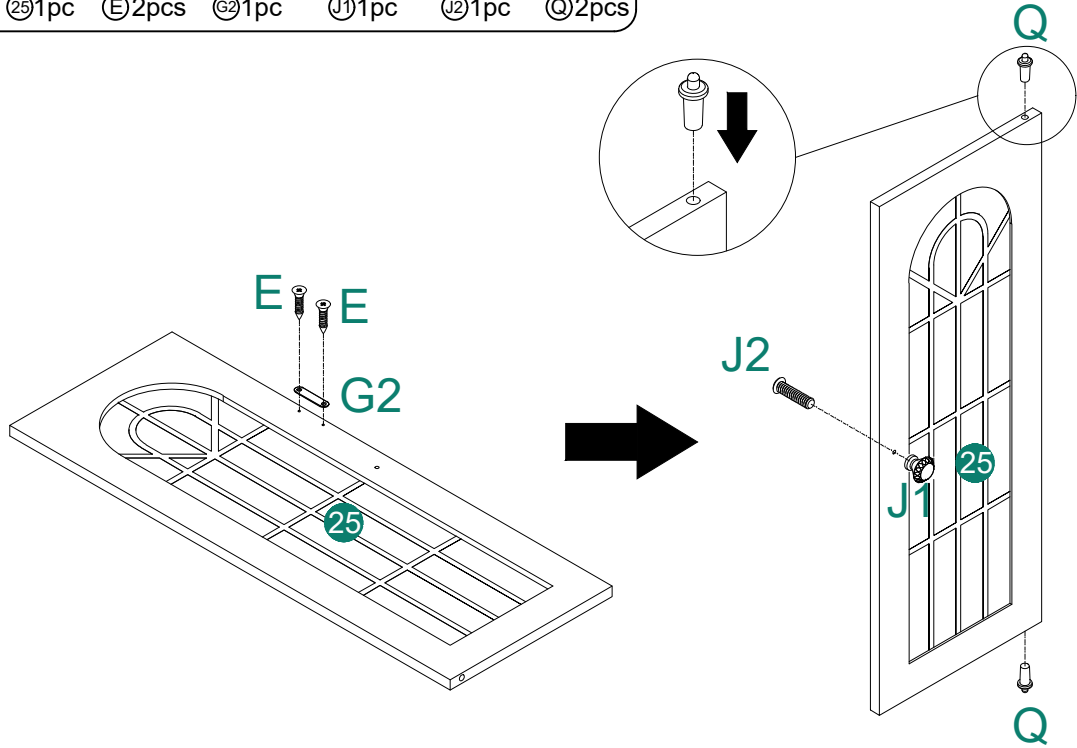


x2

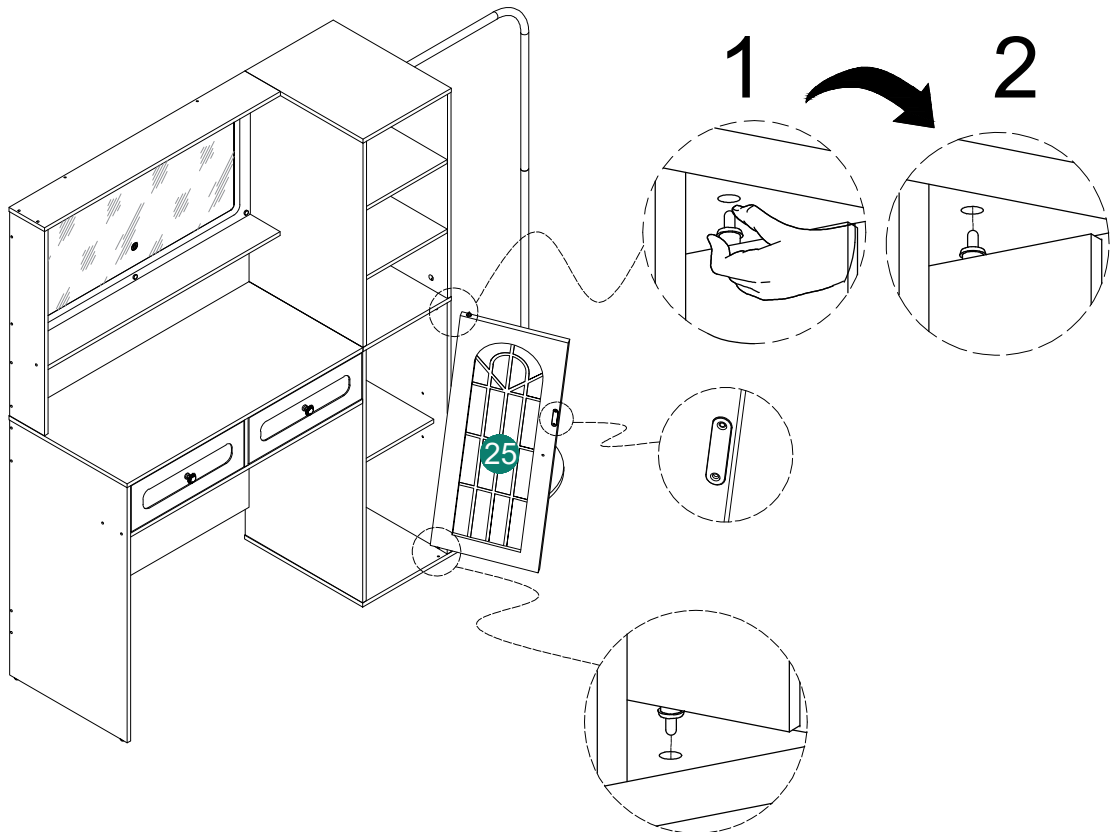
36



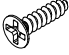


37

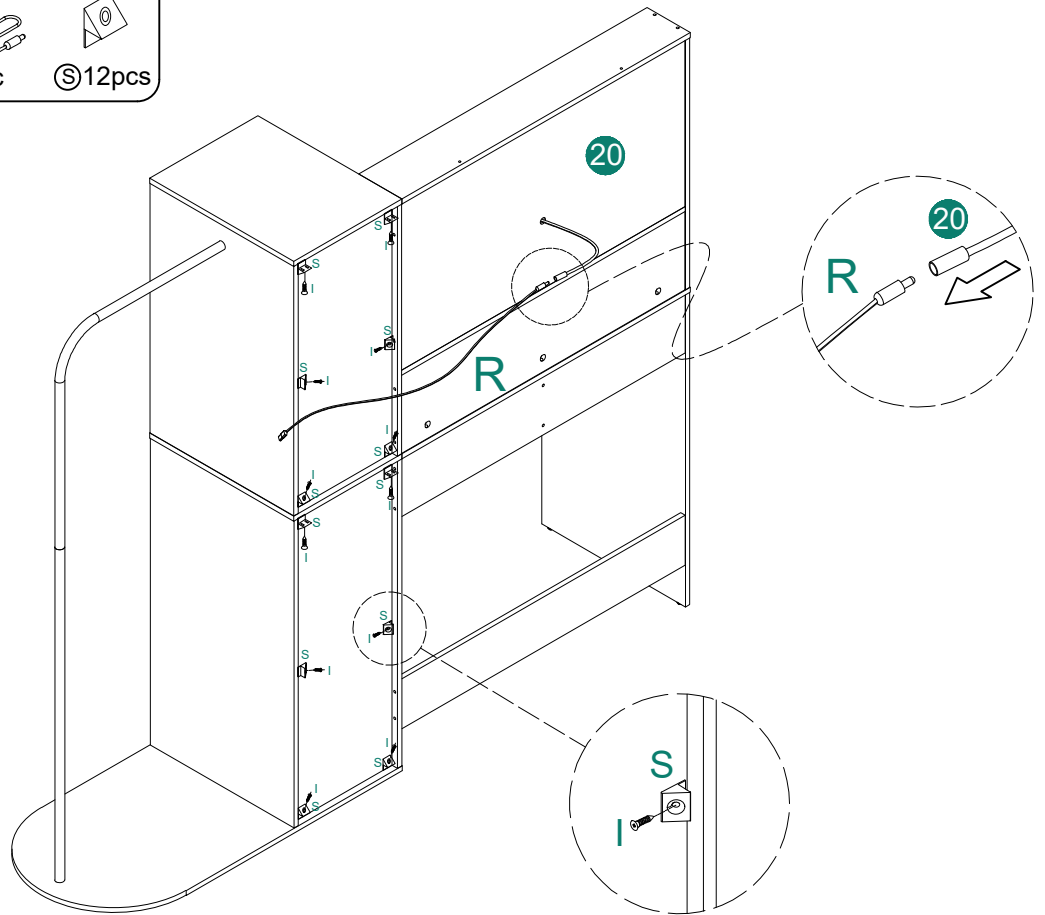


38







39

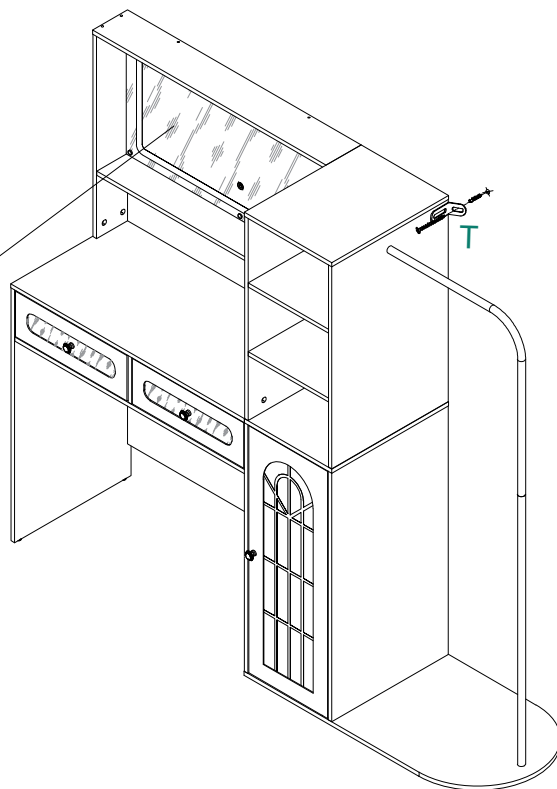
-  ①12pcs
-  ②1pc
-  ③12pcs

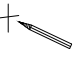
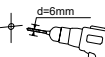






40

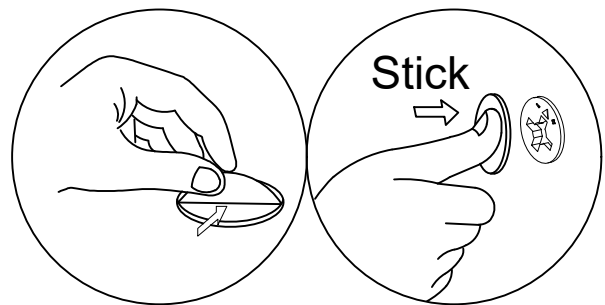
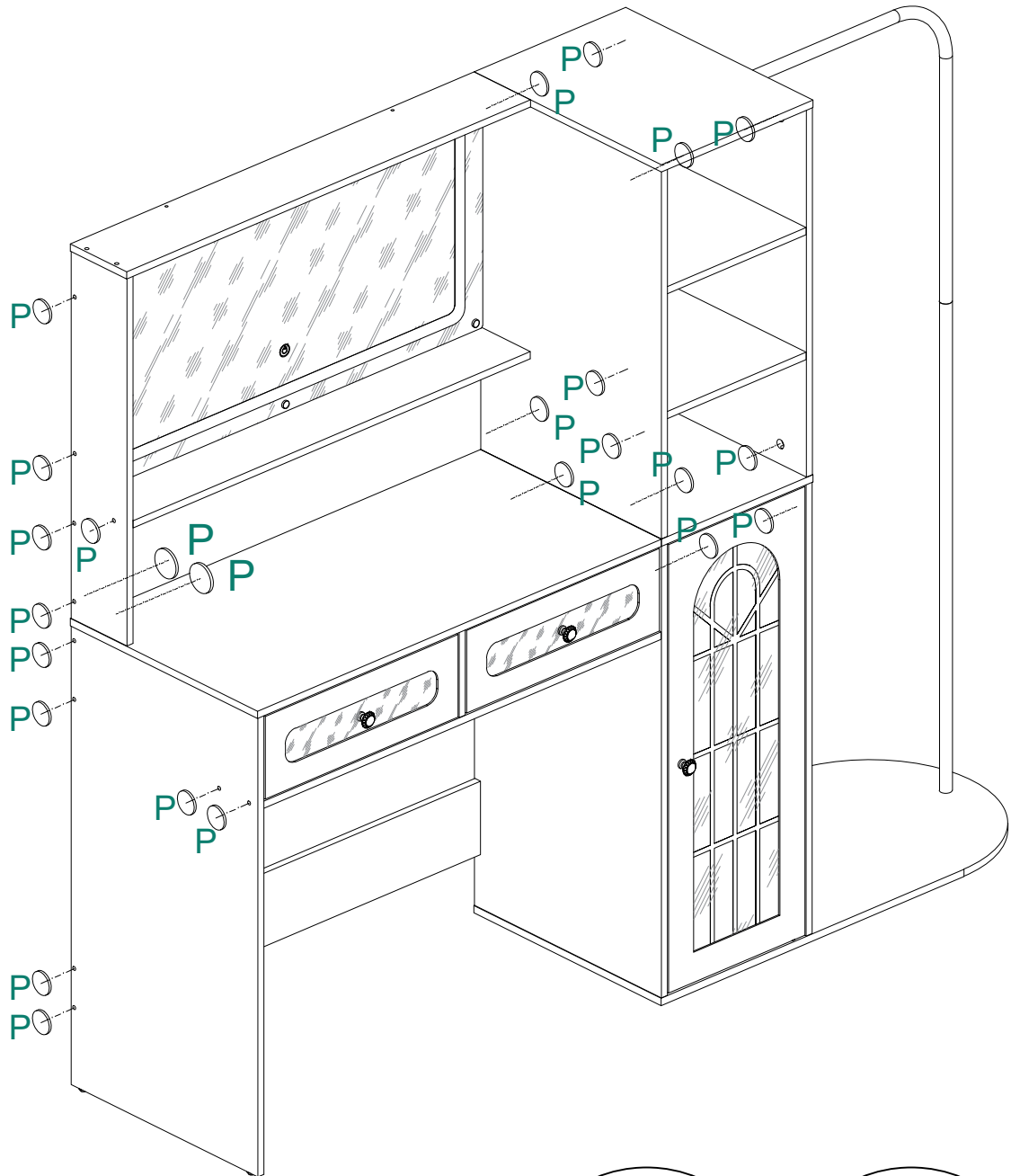
-    
- ①1pc

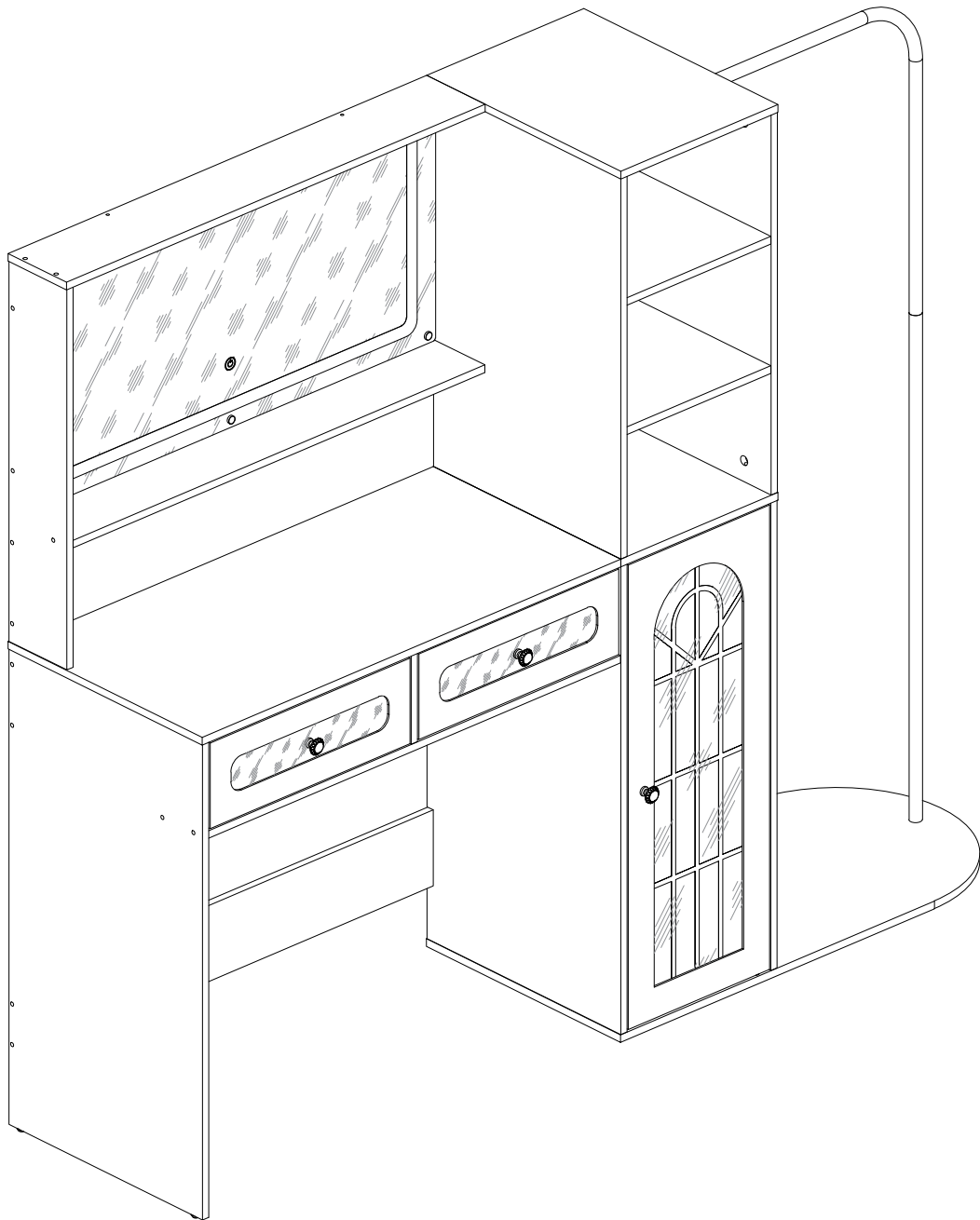
Please remove the plastic film from the surface of the mirror before use, thank you.



- STEP1 
- STEP2 
- STEP3 
- STEP4 
- STEP5 

41 
Ⓟ25pcs





Installation Completed