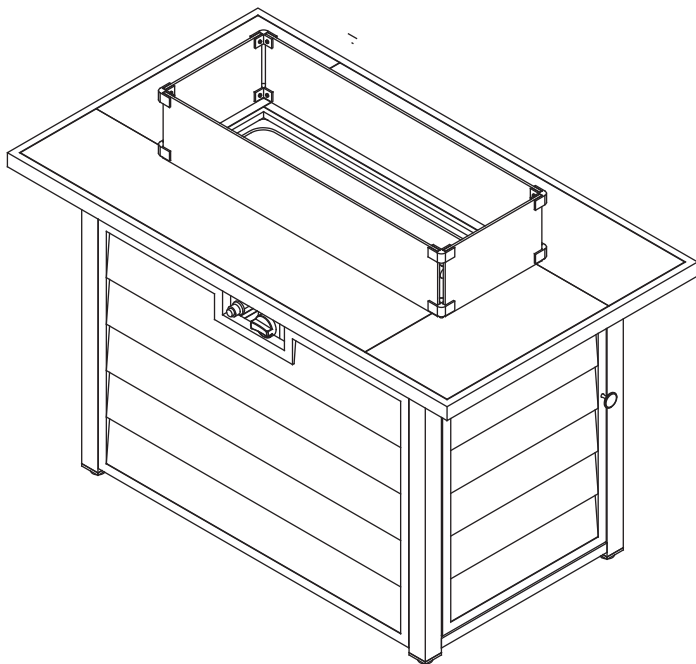




— ENJOY LIFE · SHARE HAPPINESS —

INSTRUCTION MANUAL



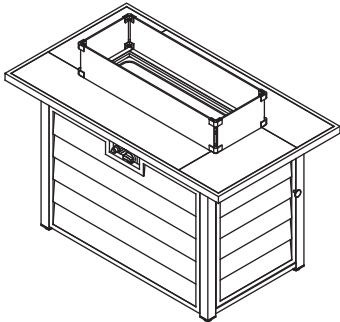
43" Gas Fire Pit Table With Cover And Wind Guard
AF225C-G

Thanks for purchasing and trusting NUUGARDEN with your home decorating plans. This product is a piece of furniture designed and made by NUUGARDEN Corp.

We are committed to R&D and innovation and creating the most exquisite and diverse outdoor series.

After unpacking and before every use, check whether the item shows any damage. In addition, check that you have all parts and hardware before assembly. If there is any damage, please do not use it and call customer service at (800) 257-7108 or email service@nuugarden.com. If you do not have all the parts lists, have your dealer contact us and we will send them to you immediately.

This furniture is for outdoor use only. Please take time to read and follow the instructions below. Then, use this item as described in this operating manual. We accept no liability for damage caused by improper use.



REMINDER

Before beginning assembly of your gas fire pit, it is important to verify that all necessary parts are included. This can be done by referring to the Parts and Hardware List. It is possible that some parts may already be pre-assembled or attached to other components of the heater. As you assemble the fire pit, it is recommended to leave the hardware half-tightened until the unit is fully assembled. Once assembly is complete, you can then finish tightening all of the hardware. Be sure to keep and store this Owner's Manual for future reference. It contains important instructions and procedures for safety and maintenance.

⚠ WARNING

LIQUEFIED PROPANE GAS APPLIANCES AND THE PRODUCTS OF COMBUSTION OF SUCH FUELS, CAN EXPOSE YOU TO CHEMICALS INCLUDING BENZENE, WHICH IS KNOWN TO THE STATE OF CALIFORNIA TO CAUSE CANCER AND CAUSE BIRTH DEFECTS OR OTHER REPRODUCTIVE HARM.

⚠ CAUTION

Installer: Leave the manual with the user for future use.
Consumer: Please keep this manual for future reference.

⚠ DANGER

IF YOU SMELL GAS:

- Shut off gas to the appliance.
- Extinguish any open flame.
- If odor continues, keep away from the appliance and immediately call your gas supplier or fire department.

⚠ WARNING

Read the instructions before use. You must install this appliance under enforced regulations and follow the instructions.

⚠ WARNING

Improper installation, adjustment, alteration, service or maintenance can cause property damage, injury or death. Read the installation, operation and maintenance instructions thoroughly before installing or servicing this gas appliance.

⚠ WARNING

California Proposition 65
Combustion by-products produced when using this product contain chemicals known to the State of California to cause cancer, birth defects, and other reproductive harm.

⚠ WARNING

FOR OUTDOOR USE ONLY!

⚠ WARNING

Never leave the fire pit unattended when hot or in use. Keep out of reach of children.

⚠ WARNING

Do not try to light this appliance without reading the "LIGHTING" instructions section of this manual.

Do not store or use gasoline or other flammable liquids or vapors in the vicinity of this or any other appliance. It is not permitted to store an LP cylinder that is not connected for use in the vicinity of this or another appliance. A fire or explosion may occur, causing property damage, personal injury, or death, if the information in this manual is not followed exactly.

⚠ DANGER

CARBON MONOXIDE HAZARD

This appliance can produce carbon monoxide, which has no odor. Using it in an enclosed space can cause injury or death. Never use this appliance in an enclosed space such as a camper, tent or building.



You must provide propane gas and a propane cylinder. Use a standard 20 lb. propane cylinder only.

Use this appliance only with a propane vapor withdrawal supply system. See Chapter 5 of the Standard for Storage and Handling of Liquefied Petroleum Gas, ANSI/NFPA 58. Your local library or fire department should have this book.

It is necessary to use the pressure regulator and hose assembly supplied with the appliance.

The installation must conform with local codes, or in absence of local codes, with the National Fuel Gas Code, ANSI Z223.1.

A dented, rusted, or damaged propane cylinder may be hazardous and should be checked by your cylinder supplier. Never use a propane cylinder with a damaged valve connection.

The LP-gas supply cylinder must be constructed and marked in accordance with the U.S. Department of Transportation (D.O.T) Specifications for LP-Gas Cylinders, or the standard for Cylinders, Spheres and Tubes for Transportation of Dangerous Good and Commission, CAN/CSA -8339, as applicable.

The LP-gas supply cylinder must be provided with a cylinder connection device compatible with the connection for the appliance.

The cylinder used must include a collar to protect the cylinder valve.

The LP-gas supply cylinder must be provided with a listed overfill protection device (OPD).

Do not store a spare LP Gas cylinder under or near this appliance.

Never fill the cylinder beyond 80 percent full.

For appliances designed to use a CGA No. 91 QCC connection.

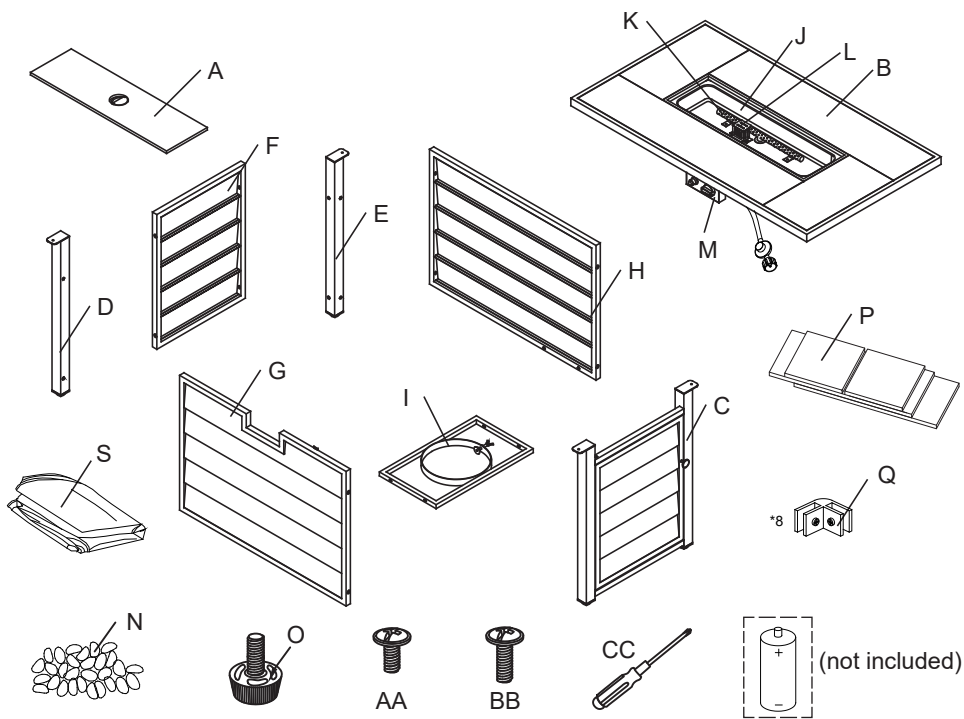


Standard 20 lbs. tank

WARNING : FUELS USED IN LIQUIFIED PROPANE GAS APPLIANCES, AND THE PRODUCTS OF COMBUSTION OF SUCH FUELS, CAN EXPOSE YOU TO CHEMICALS INCLUDING BENZENE, WHICH IS KNOWN TO THE STATE OF CALIFORNIA TO CAUSE CANCER AND CAUSE BIRTH DEFECTS OR OTHER REPRODUCTIVE HARM.

WARNING:

- The appliance is not intended for use with solid fuels.
- The installation must conform with local codes. In the absence of local codes, it should comply with the National Fuel Gas Code, ANSI Z223.1/NFPA 54, NFPA 58 Natural Gas and Propane Installation Code, CSA B149.1, or Propane Storage and Handling Code, B149.2.
- The appliance must be electrically grounded when installed, following local codes. In the absence of local codes, adhere to the National Electrical Code, ANSI/NFPA 70, or the Canadian Electrical Code, CSA C22.1.
- Before use, check for damaged parts such as hoses, regulators, pilots, or burners.
- Inspect the fuel supply connection for signs of leakage (including the hose for LP models) before each use of the appliance.
- All leak tests should be done with a soapy solution. Never use an open flame to check for leakage.
- Children and adults should be alerted to the hazards of high surface temperatures and should stay away to avoid burns or clothing ignition.
- Young children should be carefully supervised when they are in the vicinity of the appliance.
- Clothing or other flammable materials should not be hung from the appliance or placed on or near it.
- Any guard or other protective device that is removed for servicing the appliance must be replaced before operating the appliance.
- Installation and repair should be done by a qualified service person. The appliance should be inspected before use and at least annually by a qualified service person.
- More frequent cleaning may be necessary. It is imperative to maintain control.
- The compartment, burners, and circulating air passageways of the appliance should be kept clean.
- Keep the appliance area clear and free from combustible materials, gasoline, and other flammable vapors and liquids.
- Do not obstruct the flow of combustion and ventilation air.
- Keep the ventilation opening(s) of the cylinder enclosure free and clear from debris.
- The appliance should only be used in a well-ventilated space and must not be used in a building, garage, or any other enclosed area.
- An appliance may be installed with shelter no more inclusive than with walls on all sides but without overhead cover.
- Within a partial enclosure which includes an overhead cover and no more than two side walls, these side walls may be parallel, as in a breezeway, or at right angles to each other.



Part	Description	Qty
AA	M6x12 mm Bolt	4
BB	M6x30 mm Bolt	16
CC	Screwdriver	1
A	Table lid	1
B	Table top	1
C	Door	1
D	Front Leg	1
E	Back Leg	1
F	Side panel	1
G	Front panel	1
H	Back panel	1
I	Metal stand	1
J	Fire bowl	1
K	Burner	1
L	Guard	1
M	Control knob	1
N	Glass Bean	1
O	Foot pad	4
P	Wind guard glass	4
Q	Glass Brackets	8
S	Protective cover	1

Note: Carefully unpack all parts from the box, compare parts with package content listed above, make sure all parts are present before beginning assembly of product. If any part is missing or damaged, do not attempt to assemble the product. Contact customer service for replacement parts.

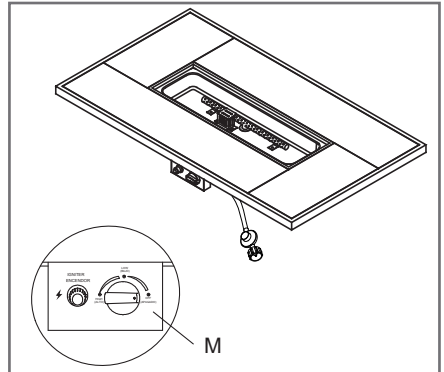


SCAN ME!

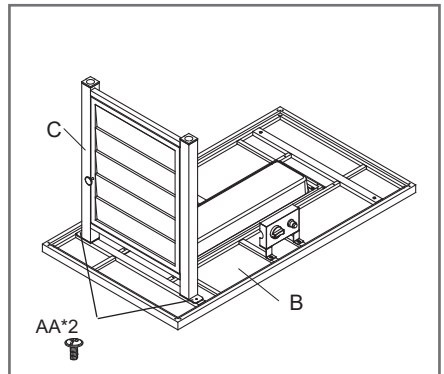
For more assembly instructions, please visit our Youtube channel.

<https://www.youtube.com/@nuugardenusa>

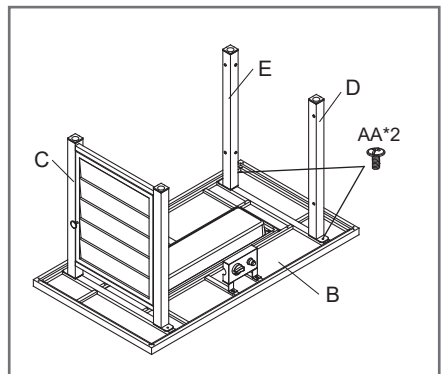
Step1: Check that the control knob (M) for the gas supply system is turned to the "OFF" position before starting any assembly.



Step2: Connect the Door (C) with Table top (B) with 2 bolts (AA). Do not over-tighten them.

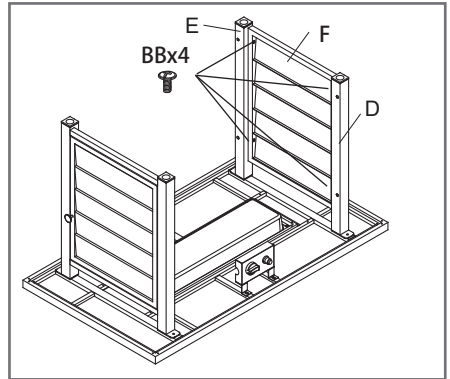


Step3: Attach Front Leg (D) and Back Leg (E) to the Table top (B) by using 2 bolts (AA). Do not over-tighten them.

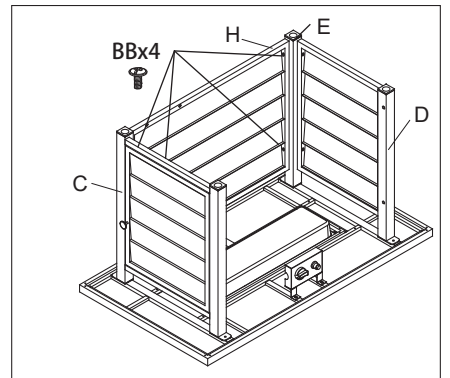


Note: Carefully unpack all parts from the box, compare parts with package content listed above, make sure all parts are present before beginning assembly of product. If any part is missing or damaged, do not attempt to assemble the product. Contact customer service for replacement parts.

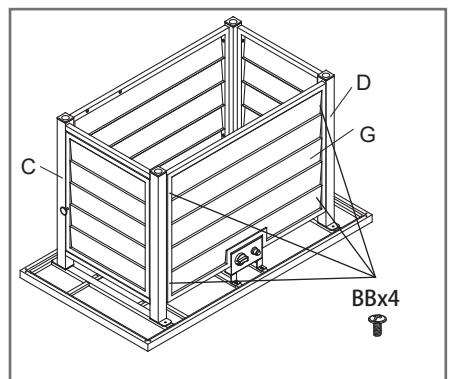
Step4: Connect the Side panel(F) to Leg (D) and Leg (E) with 4 bolts (BB). Do not over-tighten them.



Step5: Attach Back panel (H) to Door (C) and Leg (E) with 4 bolts (BB). Do not over-tighten them.

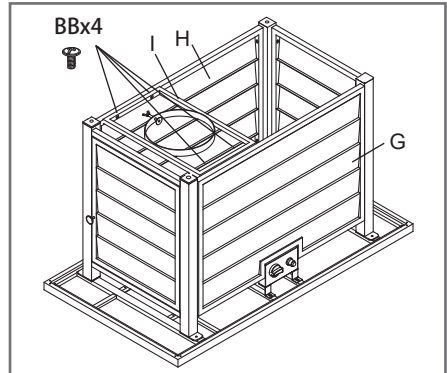


Step6: Attach Front panel(G) to the door (C) and Leg(D) with 4 bolt (BB). Do not over-tighten them.

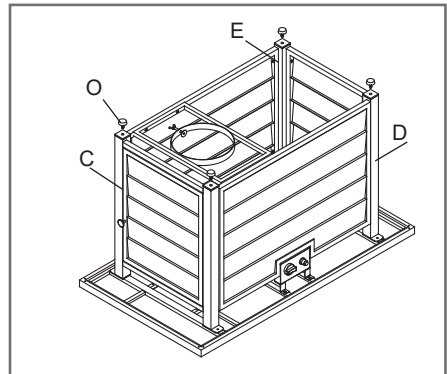


Note: Carefully unpack all parts from the box, compare parts with package content listed above, make sure all parts are present before beginning assembly of product. If any part is missing or damaged, do not attempt to assemble the product. Contact customer service for replacement parts.

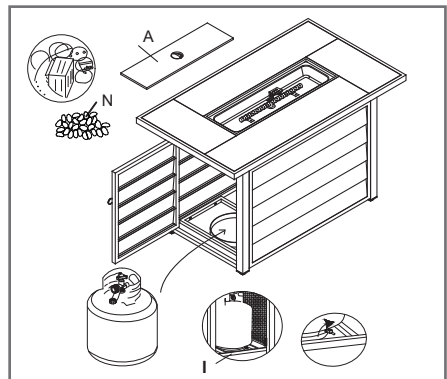
Step7: Attach the metal stand(I) to the Front panel (G) and Back panel (H) with 4 bolts (BB). Do not over-tighten them.



Step8: Attach 4X Foot pad (O) to door(C) and Leg (D) and Leg (E). Upon completing the entire assembly and bolting up, you can tighten down all screws.

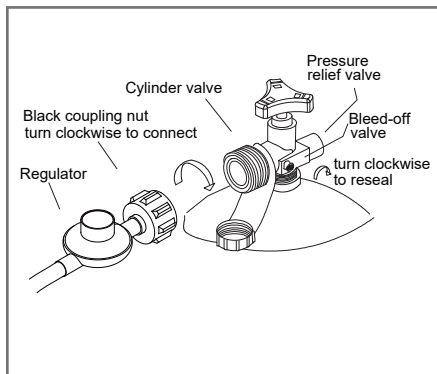


Step9: Place the propane gas tank (not included) into the metal stand (I). Ensure the gas tank sits securely on the metal stand. Turn the preassembled wing screw on the outer part of the metal stand (I) clockwise to secure the propane gas tank tightly. Pour the glass bean (N) around the burner. Make sure the Glass bean (N) are not placed on the ignition portion of the burner. Put the lid (A) over the fire bowl. Remember to remove the lid when the burner is in operation. Wait until the unit cools completely before replacing the lid.

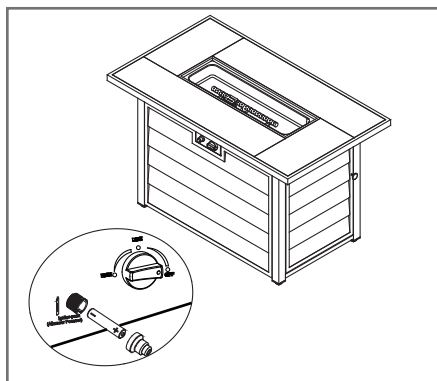


Note: Carefully unpack all parts from the box, compare parts with package content listed above, make sure all parts are present before beginning assembly of product. If any part is missing or damaged, do not attempt to assemble the product. Contact customer service for replacement parts.

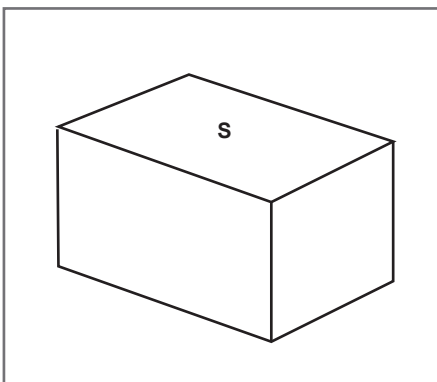
Step10: Turn the cylinder valve on the tank clockwise to close the propane tank. Attach the preassembled regulator from the table top (B) to the cylinder valve by turning the regulator coupling nut clockwise. Ensure it is fastened securely and tighten connections by hand only. Finally , secure the gas hose to the bracket inside the front panel.



Step11: Open the igniter cover and put the AAA battery (not included) into it, then tighten the igniter cover completely. Adjust flame to desired flame with the control knob. To adjust from "OFF" to "LOW",the igniter button needs to be fully pressed, then turn the control knob anticlockwise,But switch from "LOW" to "HIGH",loosen igniter button completely and then turn the controlknob anticlockwise.

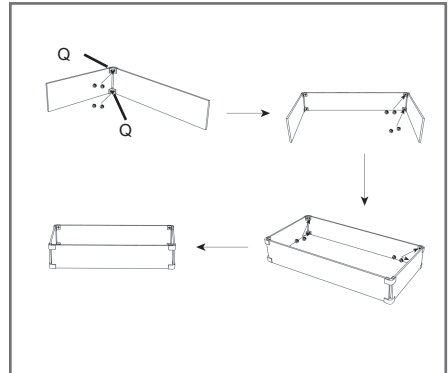


Step12: When the gas furnace products are not used outside, should be covered with a protective cover(S), to prevent the product for a long time under the sun and rain caused iron oxidation.

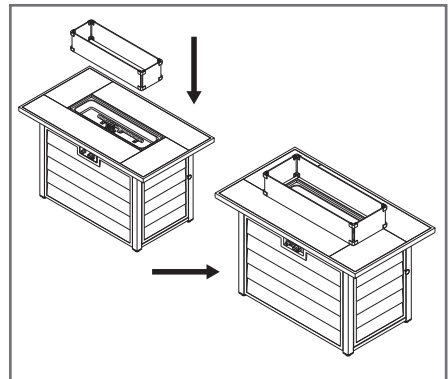


Note: Carefully unpack all parts from the box, compare parts with package content listed above, make sure all parts are present before beginning assembly of product. If any part is missing or damaged, do not attempt to assemble the product. Contact customer service for replacement parts.

Step1: First, unscrew all preassembled screws on the glass brackets. Next, assemble one glass panel to the other glass panel, and repeat this step for the rest of the two glass panels. Then, assemble the two glass panel pieces together with the final glass brackets as shown below.



Step2: Insert the glass assembly made in Step 1 into the ridge on the top of the fire table body.



WARNING

This appliance should only be used for its intended purpose. Do not use it to prepare food.

Initial Lighting: When lit for the first time, the appliance may emit a slight odor. This is a normal, temporary condition caused by the "burn-in" of the internal paints and lubricants used in the manufacturing process and will not occur again. Turn the main burner to the "high" position and let it burn for about half an hour.

WARNING

- The hazards of high surface temperatures should be communicated to both children and adults. And should stay away from the appliance to avoid burns or clothing ignition.
- Children should be carefully supervised when they are in the area of the appliance.
- Clothing or other flammable materials should not be hung from the appliance, or placed on or near the appliance. The area above the enclosure may be extremely hot. Direct contact with these surfaces should be avoided to prevent burns or clothing ignition.
- Any guards or protective devices that are removed for servicing the appliance must be replaced before operating the appliance.
- Installation and maintenance should be done by a qualified service person.
- The appliance should be inspected before each use and at least annually by a qualified service person. More frequent cleaning may be necessary. The control compartment, burners, and circulating air passageways of the appliance must be kept clean.

WARNING

- Never use the appliance while it is raining. Always turn the appliance off when it is raining.
- Never use the appliance if the burner is damaged. Inspect the burner before each use.
- Ensure that no debris, such as leaves, grass, or other objects, has entered or is on the appliance. If the burner is damaged, it must be replaced with the manufacturer's specified burner before using the equipment.
- Inspect the hose assembly before each use. If there is evidence of excessive abrasion.
- If the hose is worn or damaged, it must be replaced before using the appliance with a replacement hose assembly specified by your manufacturer.

WARNING: Any modification to the appliance may compromise the safety of this appliance. Special concerns are as follows:

Do not bypass thermocouple safety.

Do not operate the appliance if any parts have been underwater. Call a qualified service technician immediately to check the equipment and replace any flooded control systems and gas control components.

Lighting Instructions

1. Read instructions before lighting.
2. The control knob must be in the "OFF" position.
3. Connect the propane cylinder (refer to the manual), and then open the cylinder valve.
4. Push the ignition control knob in fully and rotate about 1/4 turn counterclockwise until a click is heard. It may take several attempts to light the burner. Once lit, continue holding down the control knob for 15 seconds.
5. If ignition doesn't occur, release the control knob and rotate it to the "OFF" position. Wait for 5 minutes for the gas to clear, and then repeat the above lighting instructions.
6. After ignition, adjust the flame to the desired level using the control knob.

WARNING

FOR YOUR SAFETY:

- Keep your face and body away from the burner area when lighting.
- Ensure burner controls are in the off position. Slowly turn on the gas supply valve.
- The propane cylinder is equipped with an excess flow device. Unless burners are turned off before turning the cylinder on, only small flames and low heat will be achievable.
- If the burner does not light within 10 seconds, turn the valve off and wait for 5 minutes for any gas to dissipate before repeating the procedure.

CAUTION: Disconnect the propane cylinder when this appliance is not in use.

1. Turn and push the control knob clockwise to the "OFF" position.
2. Close the cylinder valve, and disconnect the propane cylinder.

MAINTENANCE:

To ensure years of outstanding performance from your appliance, make sure you regularly perform the following maintenance activities:

- At least once a year, the unit should be inspected for spiders, cobwebs, or other debris.
- Airflow must be unobstructed. Keep controls, burner, and circulating air passageways clean. Signs of possible blockage include:

Gas odor with extremely yellow flames.

The appliance does not reach the desired temperature.

- Excessive unevenness of heat.
- Popping sounds occur when heating.
- Spiders and insects can nest in burners or orifices. This dangerous condition can damage the appliance and render it unsafe for use. Clean burner holes by using a liquid clog remover.
- Compressed air may help clear away smaller particles.
- Carbon deposits may create a fire hazard. Clean the reflector, thermocouple, and emitter. Screen with a dry cloth if any carbon deposits develop.
- The burner is made of stainless steel, but it is susceptible to damage from extreme heat and corrosive environments can occur. Inspect the burner at least annually for cracks, insect nests, excessive corrosion, or any other damage. If the burner is damaged, it must be replaced with a burner specified by the manufacturer before the appliance is put into operation.

STORAGE:

Between use

- Turn the control knob to the "OFF" position.
- Disconnect the LP source.
- Store the appliance upright in an area sheltered from direct contact with inclement weather.
- Weather conditions include rain, sleet, hail, snow, and dust.
- Cover the appliance to protect exterior surfaces and help prevent build-up in the air passages.

NOTE: Wait until the appliance has cooled down before covering it.

During periods of extended inactivity or when transporting

- Turn the control knob to the "OFF" position.
- Disconnect the LP source and move it to a secure, well-ventilated, outdoor location.
- Do not store in a location that will exceed 125°F.
- Store the appliance upright in an area sheltered from direct contact with inclement weather, such as rain, sleet, hail, snow, and dust.
- Cover the appliance to protect exterior surfaces and help prevent build-up in the air passages.

NOTE: Wait until the appliance has cooled down before covering it.

Problem	Cause	Solution
When you turn the valve to high, the flame and heat are low.	The propane lighting procedure was not followed correctly.	Ensure the lighting procedure is followed carefully. The valve must be in the off position when the tank valve is turned on. Turn the tank on slowly to allow the pressure to equalize. See lighting instructions.
Burners burn with a yellow flame, accompanied by the smell of gas.	There is possibly a spider web or other debris.	Thoroughly clean the burner venturi. See the maintenance section.
The burners will not light with the igniter but will light with a match.	The battery is either dead or installed incorrectly. There is a loose electrode wire or switch terminal wires.	Check the installation or replace it with a new battery. Check that the electrode wire is firmly pushed onto the terminal on the back of the igniter. Check that the lead wires go from the module to the ignition switch (if it has one). Check that they are firmly on their terminals.
The burner will not stay lit when the control knob is released.	You are not holding the knob in long enough. It's too windy outside. Lava rock and debris are in the burner's ignition area. They block the thermocouple from being fully in the flame. Either the thermocouple or thermocouple connection is dirty. Either the thermocouple or valve is faulty.	The thermocouple must have time to heat up. Hold the knob in for 30 seconds after the burner lights, then release. The unit will shut down if winds are greater than 10 mph (16 km/h). Either locate the fire pit in a different area or use it when it is less windy. Ensure there is no lava rock or other debris in the ignition area. Also, check that the small hole below the thermocouple is clear. Clean the thermocouple and clean the connection between the valve and the thermocouple. Ensure the connection is properly tightened. Replace the thermocouple and valve.
The regulator is humming.	This is a normal occurrence on hot days.	This is not a defect. Vibrations in the regulator cause it. They do not affect the heater's performance or safety. We will not replace the humming regulator.
The valve is set to high but there is low heat output. There is also a rumbling noise and a fluttering blue flame at the burner surface.	There is not enough gas. The supply hose is pinched. The burner orifice is either dirty or clogged. There are spider webs or other matter in the venturi tube. The propane regulator is in a "low flow" state.	Check the gas level in the propane cylinder. Reposition the supply hoses as necessary. Clean the burner orifice. Clean out the venturi tube. Make sure to follow the lighting procedure carefully. When turning on the tank valve, make sure all valves are in the off position. Turn the tank on slowly to allow pressure to equalize. See the lighting instructions in the operating section.

Follow the instructions for the product's material to ensure it stays in the best shape as long as possible. The information below is a general guideline. Don't hesitate to get in touch with us to learn more.

- Only rinse it thoroughly with clean water to wash away dirt and grime.

Never use abrasive cleansers on the furniture since they can attack the surface and leave behind scratch marks.

- For stubborn grime and stains, use a soft sponge and mild soapy water.

Then dry it with a cloth or paper towel.

- Check the stability of the screws, nuts, and nut caps before each use.

Then, tighten them up after one to two months' use whenever required.

- Avoid improper use, and be careful not to scratch or damage the surface with sharp objects.

- When you move your furniture, lift it rather than pulling or pushing it to avoid damaging the floor, legs, and mounting.

Thanks for purchasing NUUGARDEN furniture. We are here to help you maximize your enjoyment and appreciation of it.

Please do not hesitate to contact our customer service if you have any questions regarding assembly or accessories.

Add: 6366 Corley Road, Norcross, GA 30071.

Tel: (800) 257-7108

Web: <https://nuumart.com>

E-mail: service@nuugarden.com

Service time: Mon-Fri, 8:30 AM-5:30 PM, EST



NUUGARDEN USA



Nuu Garden Corp.

Add: 6366 Corley Road, Norcross GA 30071.

Tel: (800) 257-7108

Web: <https://nuumart.com>

E-mail: service@nuugarden.com