
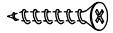


ASSEMBLY INSTRUCTIONS

Read instructions carefully. Remove all wrapping material, Staples and straps from the carton. See Hardware and Furniture Part List for guidance. Be sure you have all parts before you start assembling. Place all wooden furniture part on a clean and flat soft surface, such as carpet or rug to prevent from being scratched.

CAUTION : KEEP ALL HARDWARE PARTS OUT OF REACH OF CHILDREN.

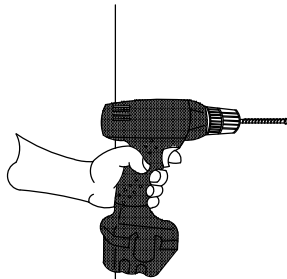
HARDWARE LIST

ITEM	DESCRIPTION	QTY
1	PLASTIC WALL PLUG 	2 PCS
2	M4 x 30mm WOOD SCREW 	2 PCS

PART LIST

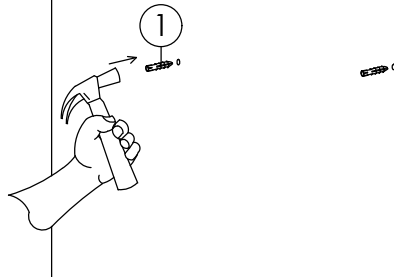
ITEM	DESCRIPTION	QTY
A	MIRROR	1 PC

STEP 1 :



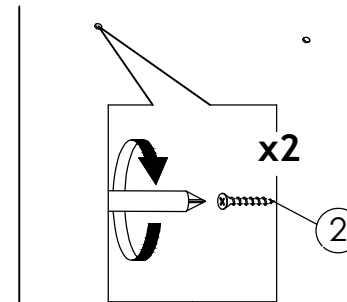
DRILL THE HOLE ON WALL BY FOLLOW ANGEL BAR SCREW HOLE POSITION

STEP 2 :



INSERT WALL PLUG INTO THE HOLE BY HAMMER

STEP 3 :



STEP 4 :

