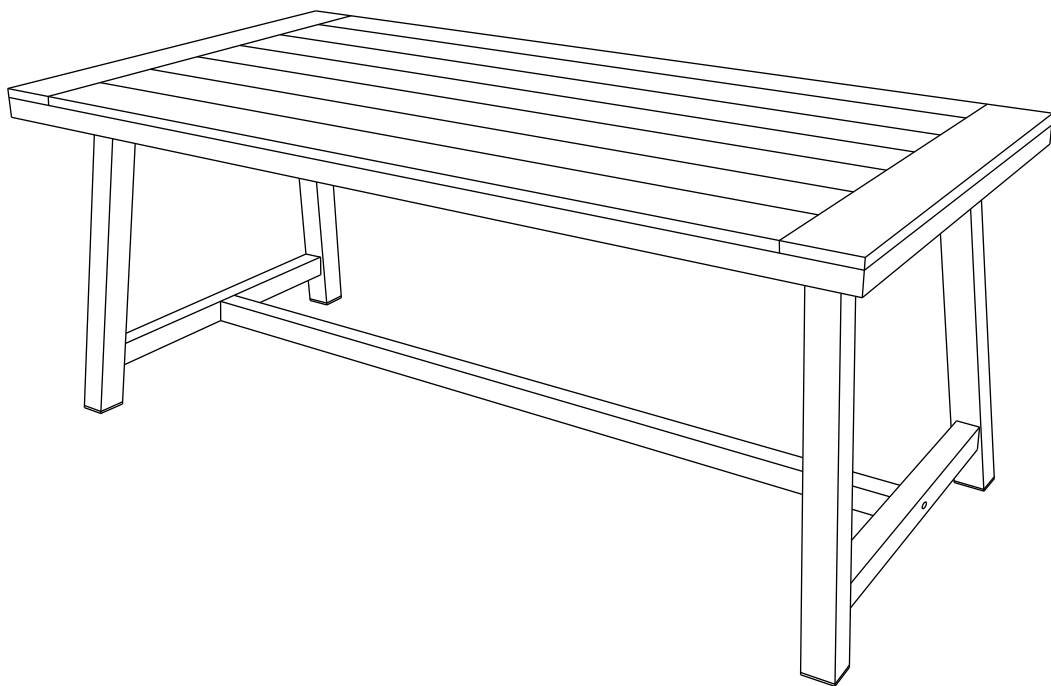


# Assembly Instructions

## TABLE

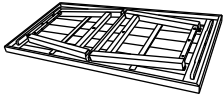

CAUTION: You must read this before you proceed.



**CAUTION :** This Table is NOT a TOY. Keep your child / children at bay in the process of assembly.

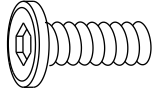

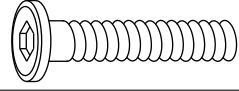
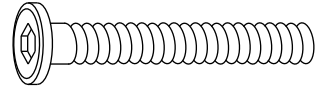
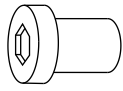


For turning the Table and to prevent damage to the Table, 02 persons may be needed to execute this action.

## Parts List

No.	Picture	Description	Qty
A		Table	1
B		Leg Connector	1

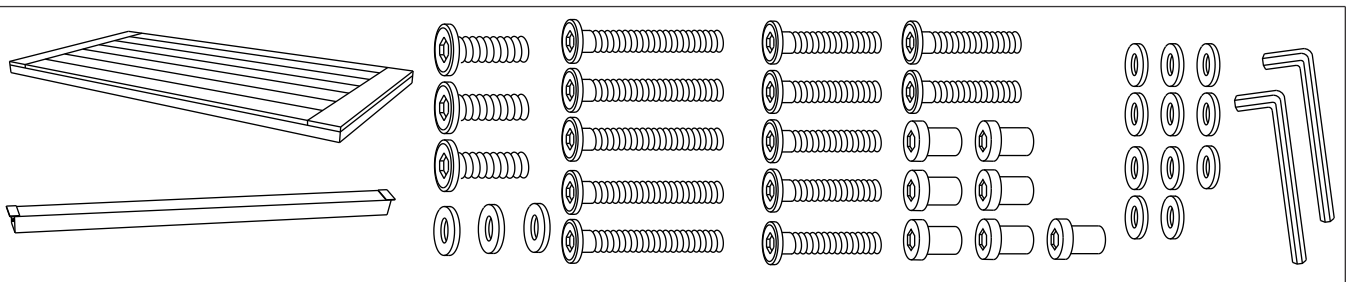
## Hardware

### Table Hardware

No.	Picture	Description	Qty
①		Long Bolts (M8 x 20mm)	3
②		Big Flat Washers (M8.5/16x2mm)	3
③		Middle Bolts (M6x38mm)	7
④		Long Bolts (M6x55mm)	5
⑤		Sleeve Nuts (M6x18mm)	7
⑥		Small Flat Washers (M6/16x1mm)	11
⑦		Allen Keys	2

## Assembly Preparation

### Before Beginning Assembly:



Read instructions, cover to cover.



Have 2 adults on hand for assembly.



Do not assemble on flooring or carpet.



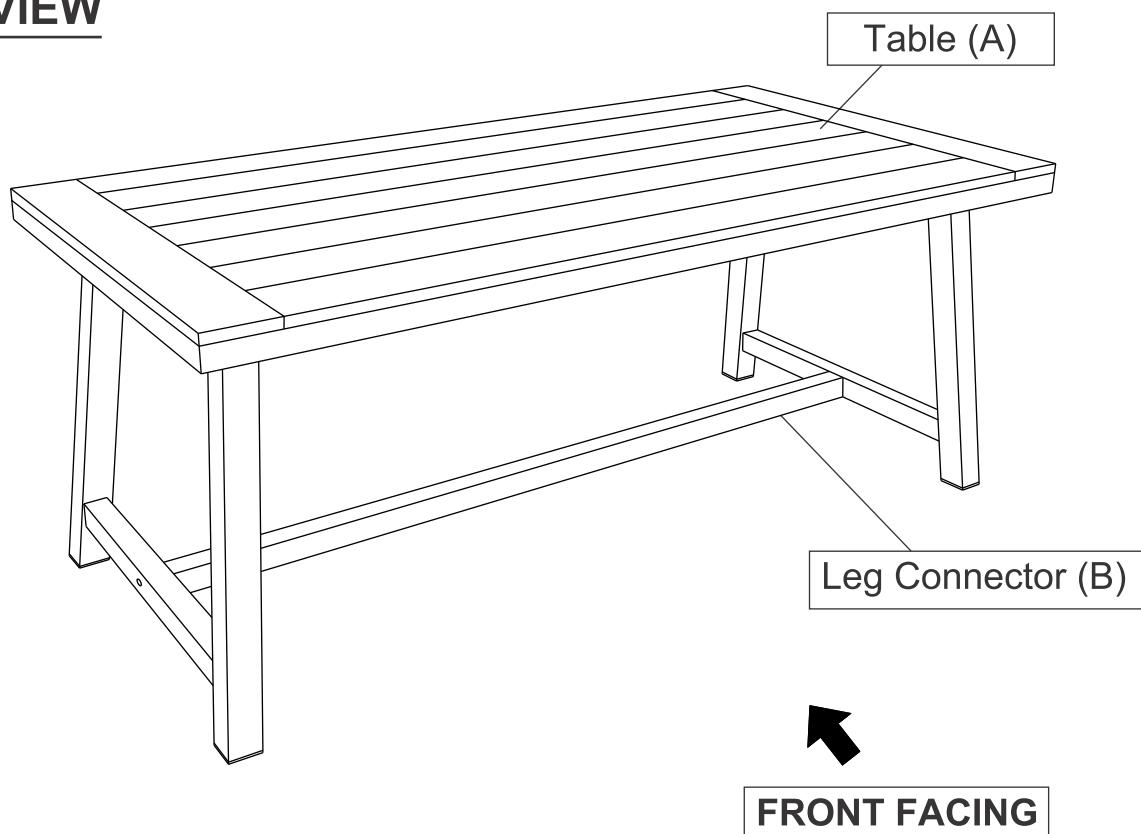
Assemble on a clean non-marring surface (packing foam).



Save all packaging until finished.

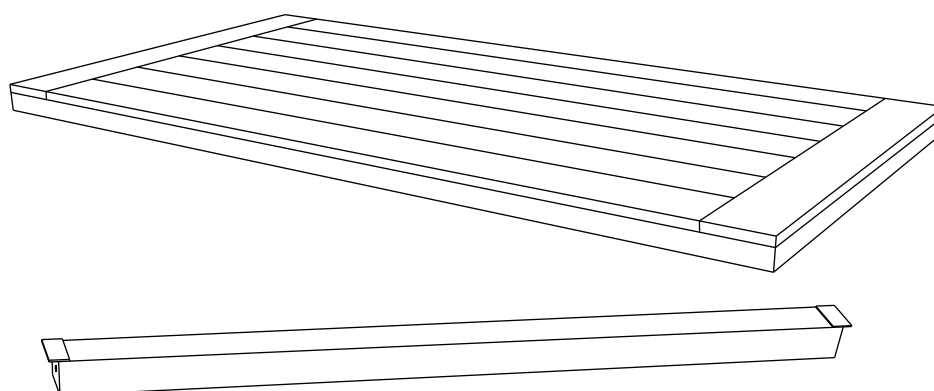
## Assembly Steps

### OVERVIEW



This Table has multiple parts and may require up to 30 minutes to assemble. To give you an overview of the table parts, the above picture is to help you put the various parts into perspective. Please read through the instructions herebelow to familiarise the parts and steps before assembly.

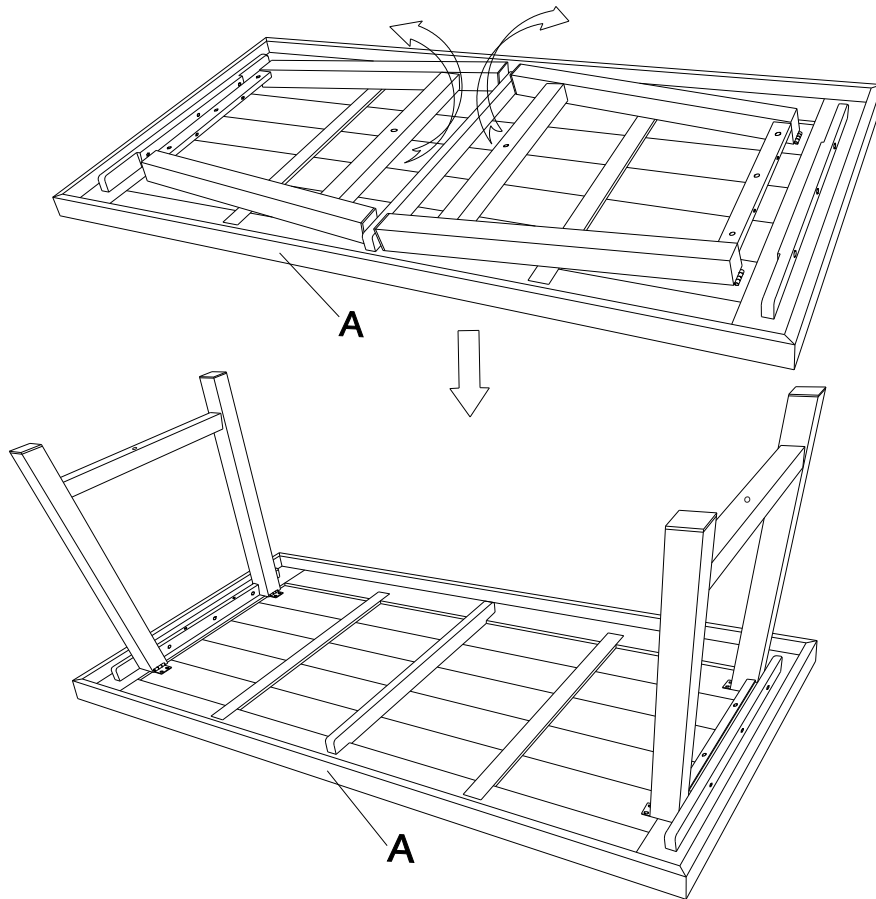
### Step 1



Unpack and place all parts on a clean, non - marring surface.

## Assembly Steps

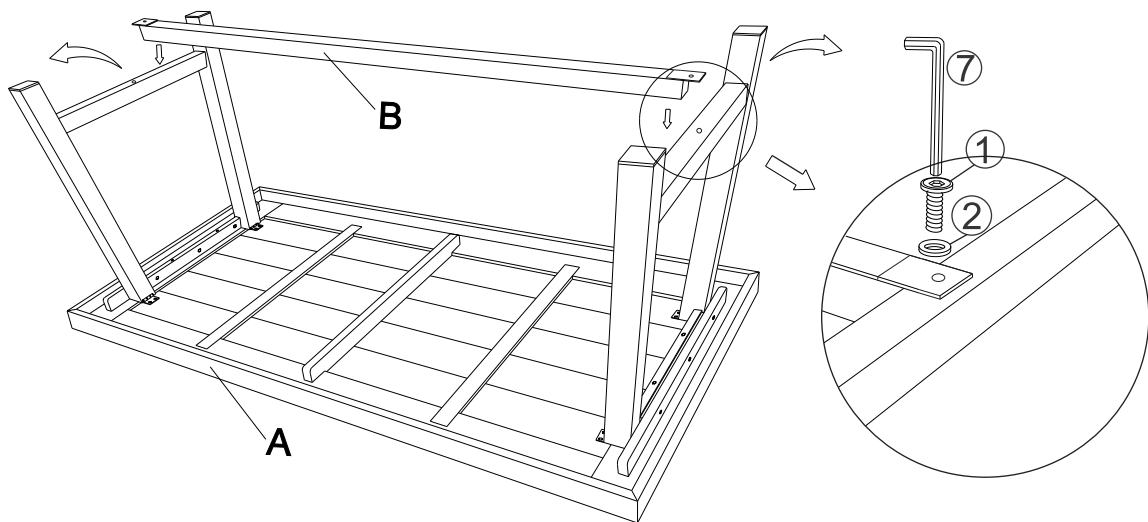
### Step 2



Place the Table (A) with the fabric face skywards onto a clean, soft surface to avoid any scratches or damages to the product.

Lift legs upright in degrees until the braces are locked, as shown in the diagram.

### Step 3



Attach the Leg Connector (B) to the Table(A).

You may need to apply a little pressure to the Legs-pushing outwards, so as to enable the leg Connector (B) to be slotted into position.

Using the Short Bolts(1) with Big Flat Washers(2), tighten the bolts by using the Allen Key(7),as shown in the diagram.

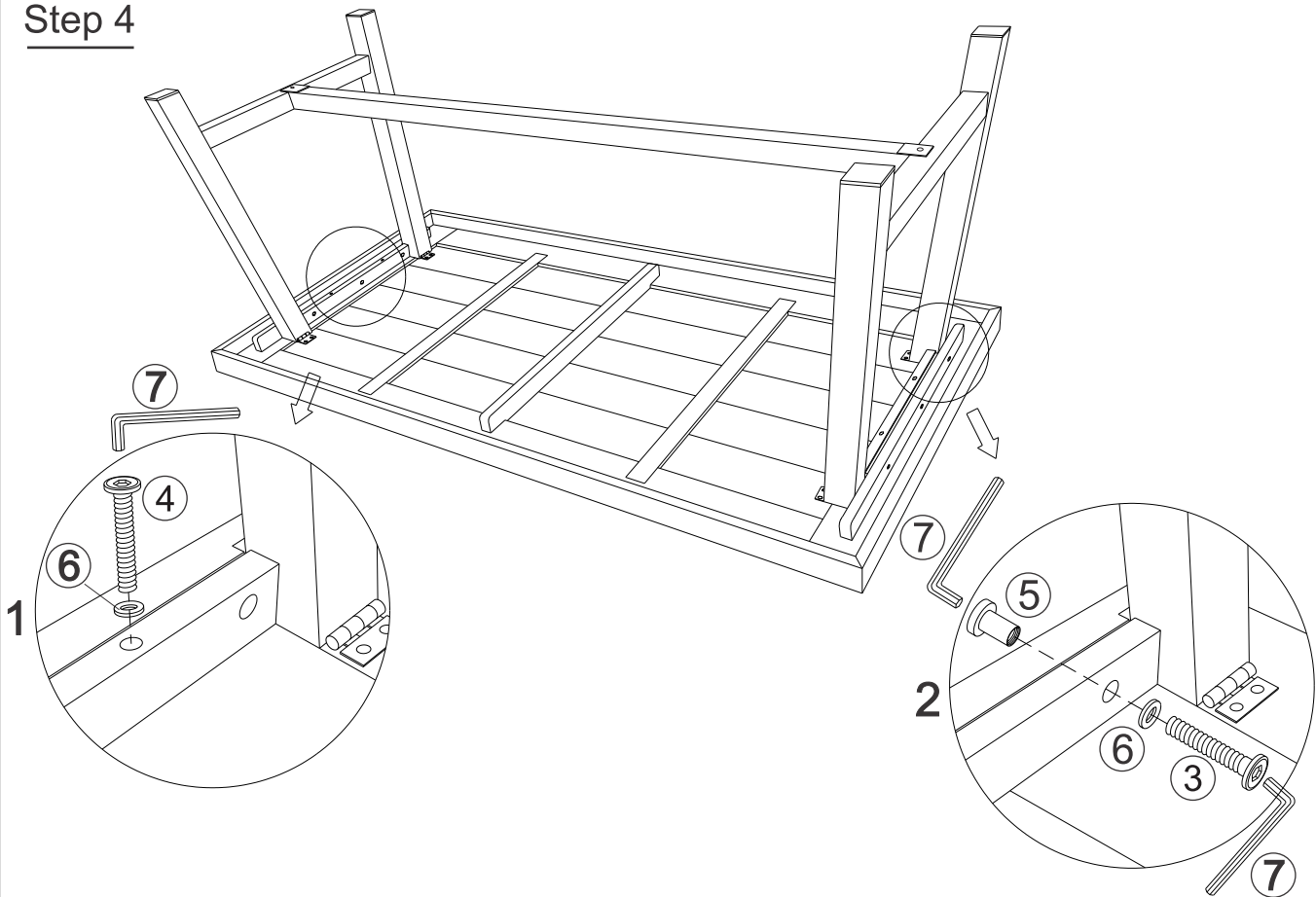
**WARNING!! DO NOT OVER TIGHTEN.**

**OVER TIGHTENING COULD LEAD TO DAMAGE OF THE PRODUCT.**

**SLOWLY TIGHTEN UNTIL SECURE AND STABLE.**

## Assembly Steps

### Step 4



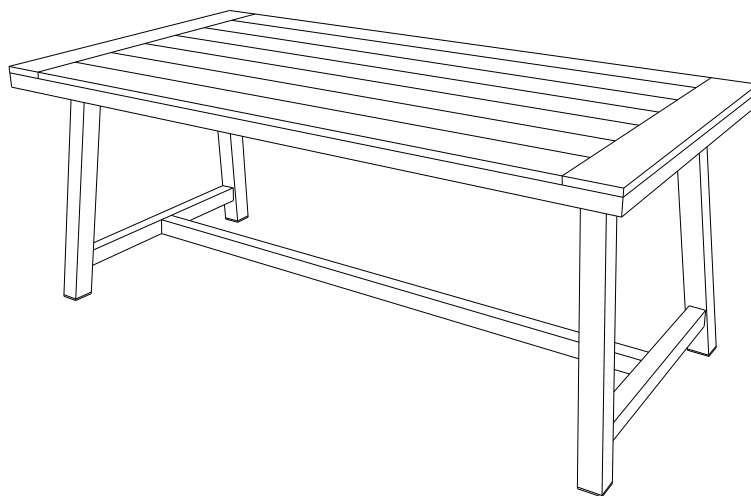
Using Long Bolts (4) with Small Flat Washers(6), as shown in the picture (1) and Middle Bolts (3) & Small Flat Washers(6) with Sleeve Nuts(5), as shown in the picture (2). Tighten with using the Allen Key (7). This sequential manner will reduce possible distortion of frame.

**CAUTION!! DO NOT OVER TIGHTEN.**

**OVER TIGHTENING COULD LEAD TO DAMAGE OF THE PRODUCT.**

**SLOWLY TIGHTEN ONLY UNTIL SECURE AND STABLE.**

### Step 5



You are now at the FINAL stage of this assembly.










In a sequential manner, drive in and fully tighten all bolts.

Thereafter, turn the table right way up.

The Table now is ready to be used.

**Caution: This Table can only used on a flat, level surface.**

## Care & Maintenance

-   Do not put hot items directly on furniture surface.
-   Do not clean furniture with harsh cleansers or polish.
-   To obtain the longest lifespan of your outdoor products, minimizing exposure to direct sunlight is recommended.
-   Children should not climb or jump on the furniture.
-   Do not write on furniture without a padded barrier to protect the surface.
-   To obtain the longest lifespan of your outdoor products, avoid extended and lengthy exposure to rain, snow, and direct sunshine. Whenever possible cover the product and /or place under patio or awnings.
-   Not for commercial use. For residential use only
-   Stains may be removed with mild soap solution and damp cloth.
-   Dust and pick-up spills using a clean, non-colored, lint-free cloth.