

1. Thank you for choosing *our products*.

2. Return Policy



DO NOT RETURN TO THE STORE! Skip the process of returning your product and contact us directly for a replacement

If you find that parts of your order are missing or damaged, we will gladly ship any needed replacement parts free of charge.

If your product's quality does not meet your expectations or you have found any sort of defect, please contact our customer service department and let us know the details of your order and any issues encountered, we will try our best to provide you with a solution. Feel free to also directly contact our manufacturer concerning needed replacement parts and they will be happy to help provide you with a solution or answer any questions you may have.

Recommendations Before Beginning Assembly



- Read instructions, cover to cover



- Have 2-4 adults on hand for assembly depending on product size



- Do not assemble directly on flooring or carpet



- Assemble on a clean non-marring surface (example: packing foam)



- Save all packaging until finished











3. Assembly Notice:

- If you encounter any problems during assembly and find that you cannot continue, rest assured we will help you solve the situation as soon as possible. Simply keep all of the parts of the product stored in a safe place and contact us immediately so we may assist you further.
- Once you have opened your package, remove all inner hardware packages and take the parts out. One by one, Place the parts out neatly in front of you, then refer to the instructions to ensure no parts are missing. If any pieces are found missing, please carefully look in the box first, as the hardware packaging might have torn making the

hardware spill in the box.

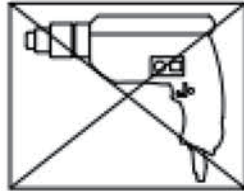
- Some key parts of your product may be stored and hidden inside of other parts. Please open any zippered or hook & loop storage compartments to remove all parts. (example: cushions and legs being stored in the underside of a sofa)
- **IMPORTANT:** When setting up your product, **DO NOT INSTALL THE SCREWS ALL THE WAY IN THE BEGINNING.** Place each screw into their proper hole and use your hand to twist the screw halfway. Twist all the screws in halfway to ensure the holes will match up properly and the product is level on the ground. When everything seems fitted, then tighten the screws.
- When you have completed assembly, we suggest you have more than one person to assist you with lifting and placing the product.

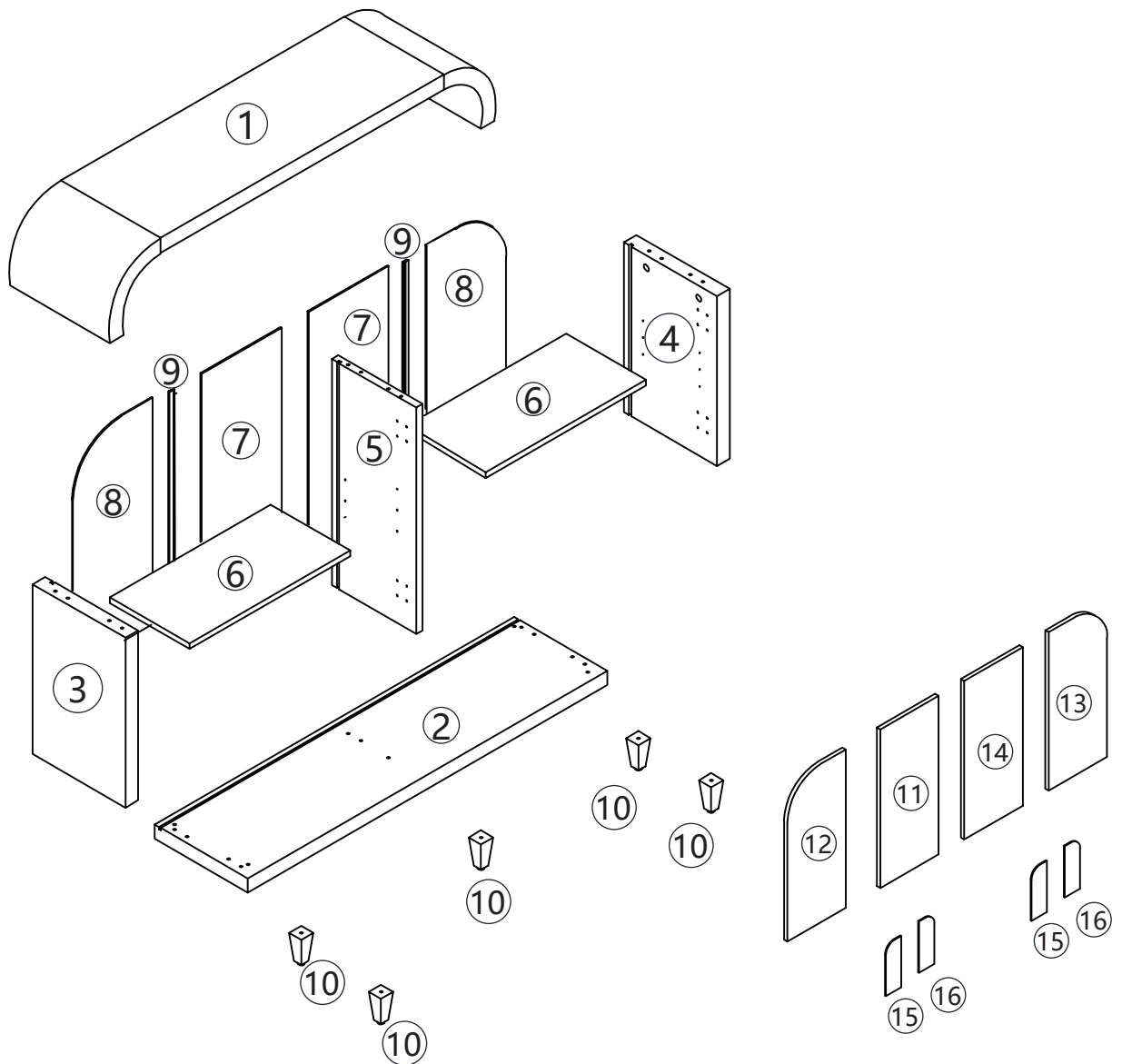
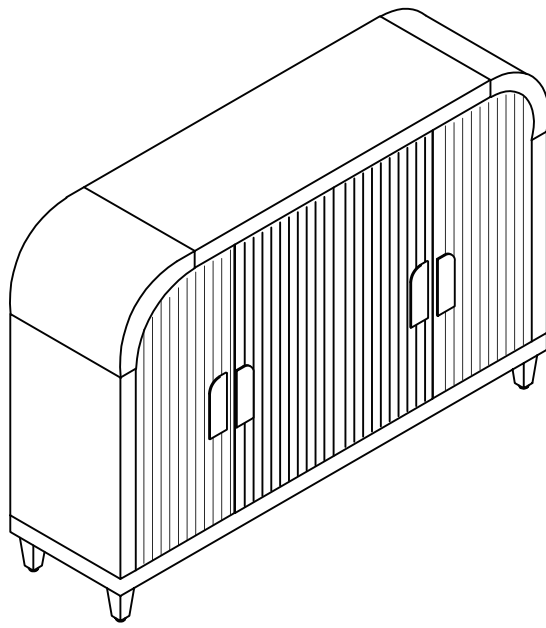
Care & Maintenance

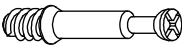

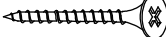
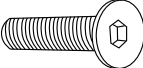


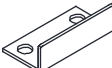

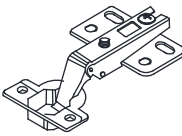


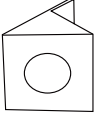

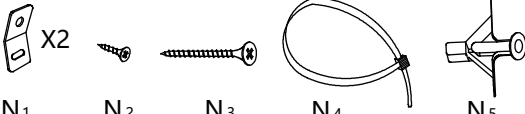




- ⊘  ● Do not put hot items directly on furniture surface
- ⊘  ● Do not clean furniture with harsh cleansers or polish
- ⊘  ● Do not place furniture under direct sunlight
- ⊘  ● Do not place furniture near heating or cooling vents
- ⊘  ● Do not write on furniture without a padded barrier to protect the surface
- ⊘  ● Do not place furniture outside. For indoor use only
- ⊘  ● Not for commercial use. For residential use only
- ⊘  ● Stains may be removed with mild soap solution and damp cloth
- ⊘  ● Children should not climb or jump on the furniture
- ✓  ● Dust and pick-up spills using a clean, non-colored, lint-free cloth

Caution

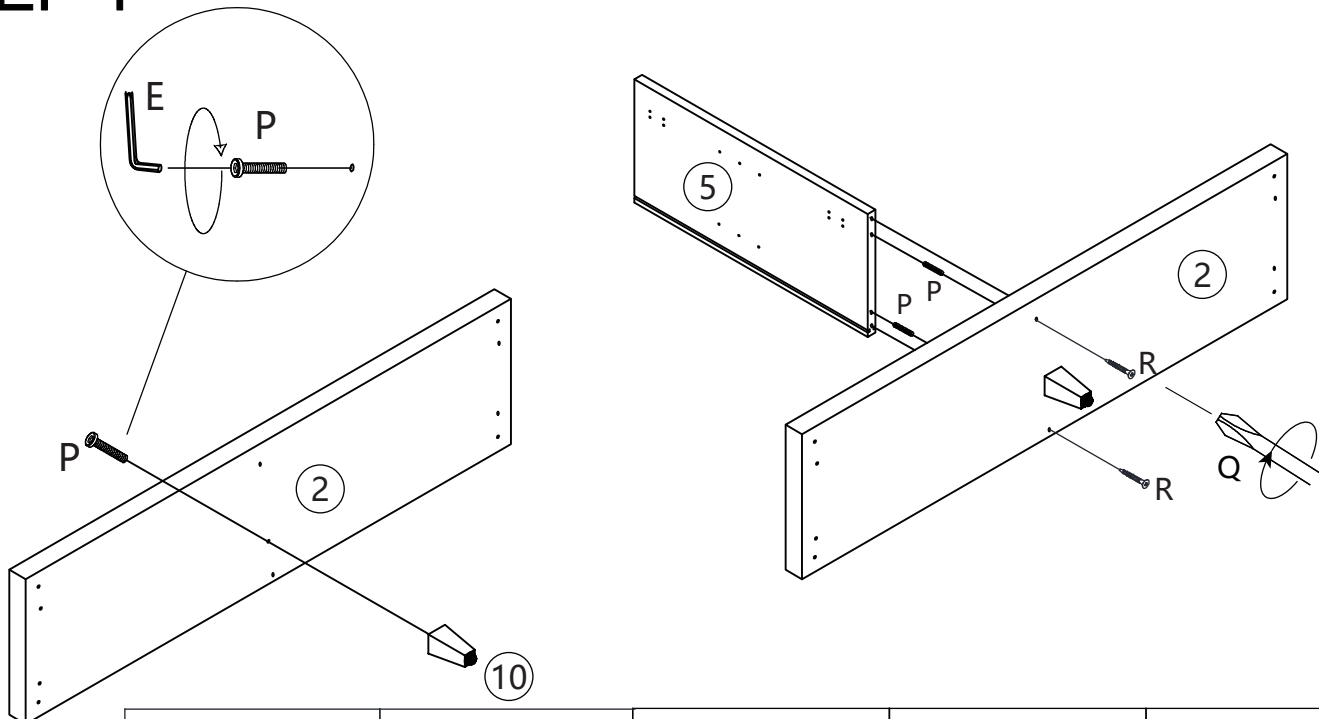
- This product contains small components. Please ensure that they are kept away from children.
- Do not use power tools to assemble your furniture. Power tools may strip or damage the



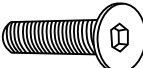






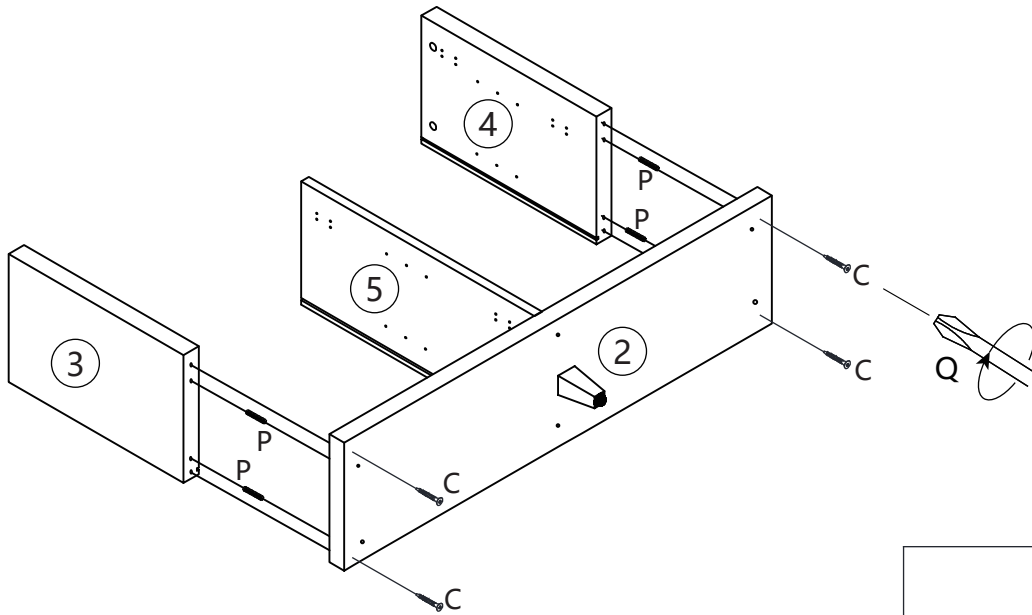
 Ø6x35mm AX6	 Ø15x10mm BX6	 Ø5x60mm CX4	 Ø8x45mm DX5	 EX1
 Ø3x14mm FX12	 GX2	 HX8	 KX4	 SX4
 Ø4x14mm JX48	 LX8	 Ø6x25mm MX8	 N1 N2 N3 N4 N5 NX1	
 OX4	 Ø6x30mm PX12	 QX1	 Ø5x45mm RX2	



STEP 1



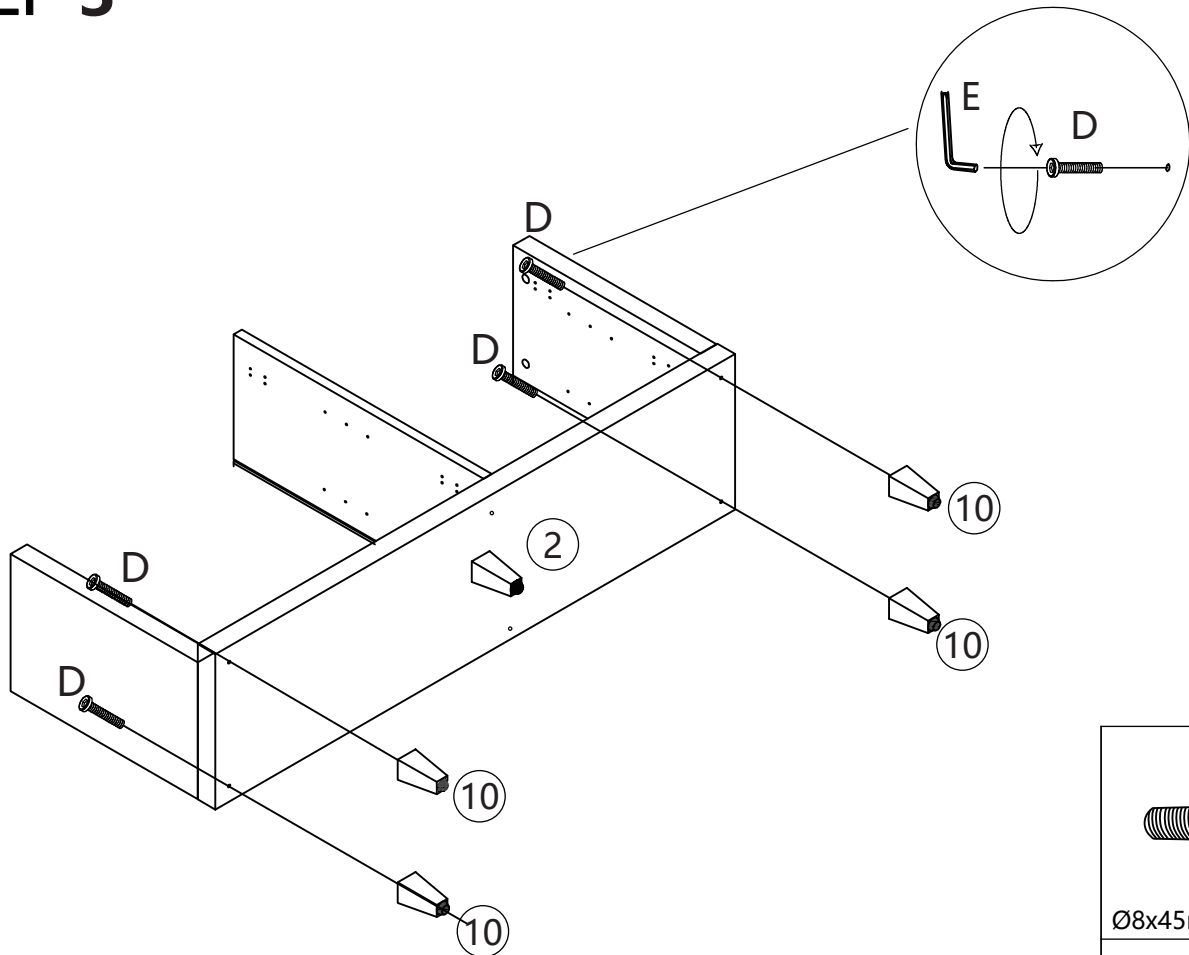
 Ø5x45mm RX2	 Ø6x30mm PX2	 Ø8x45mm DX1	 EX1	 QX1
---	---	---	--	--

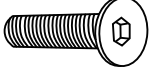
STEP 2



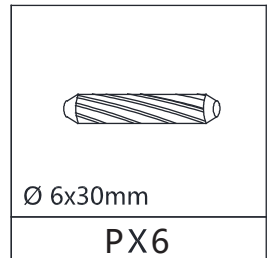
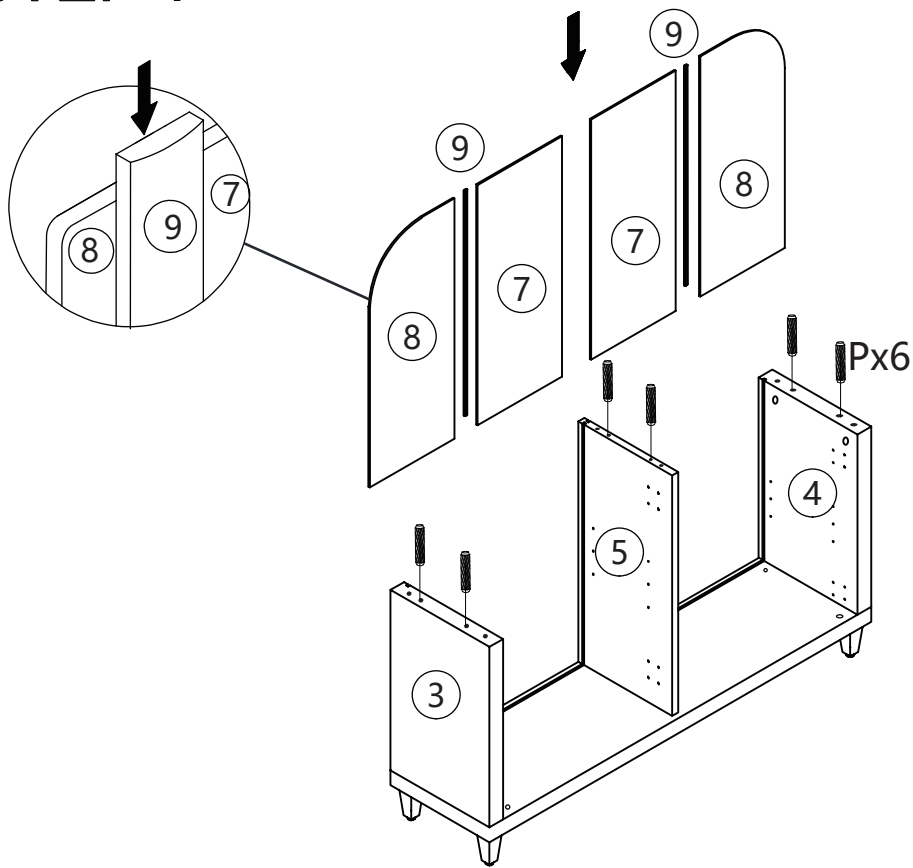
	
Ø5x60mm	Ø 6x30mm
CX4	PX4

STEP 3

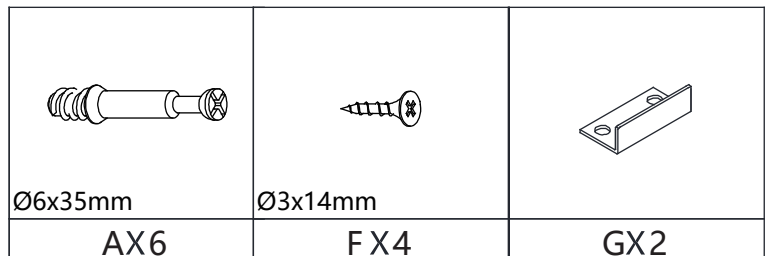
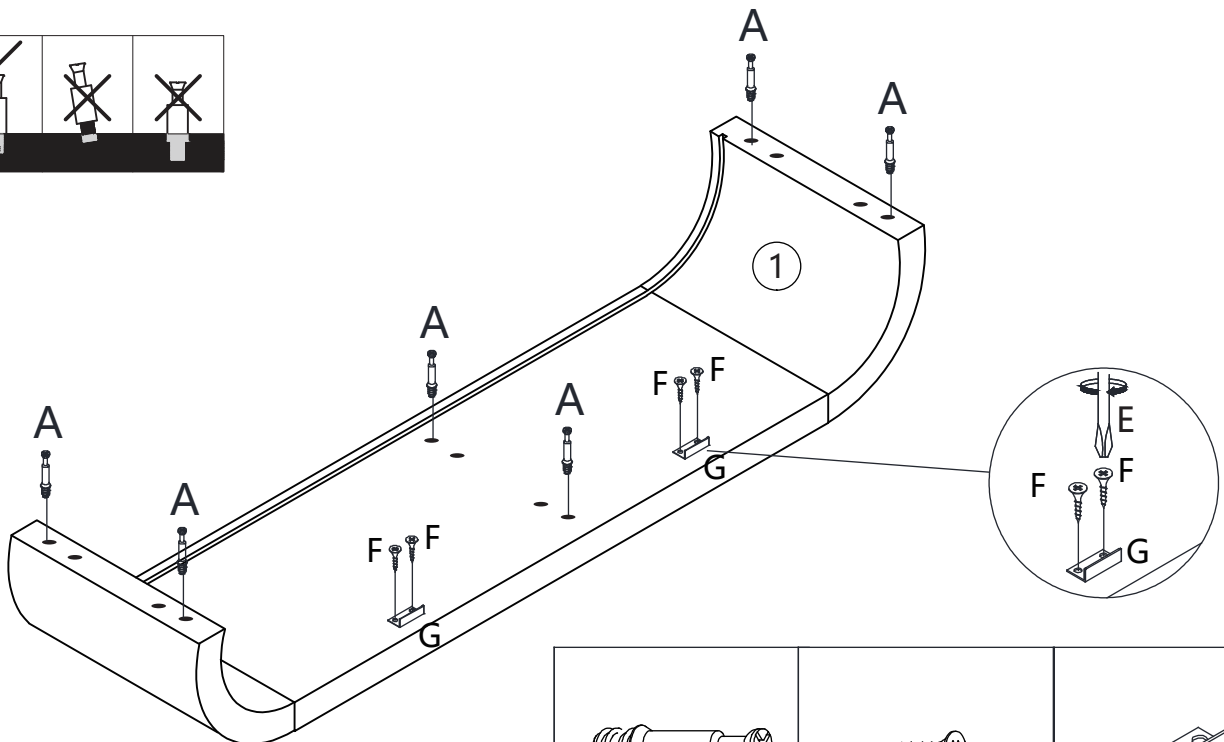
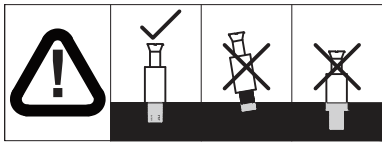



Ø8x45mm
DX4

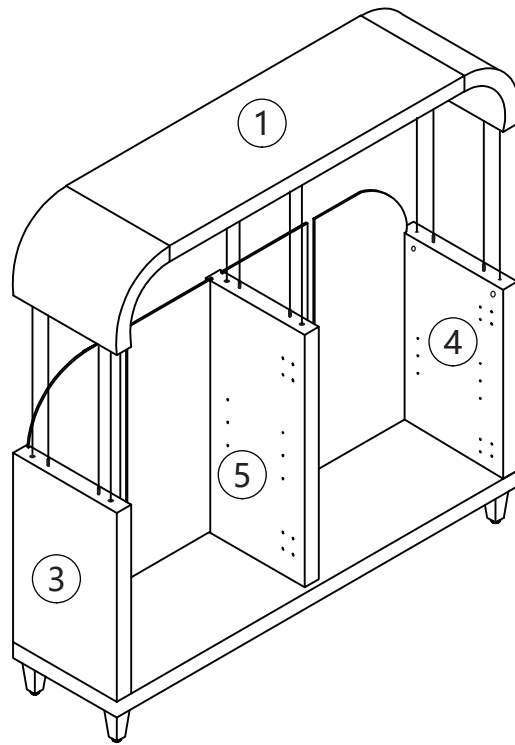
STEP 4



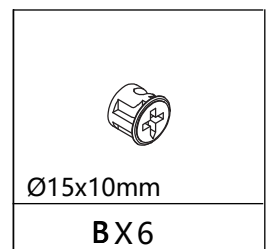
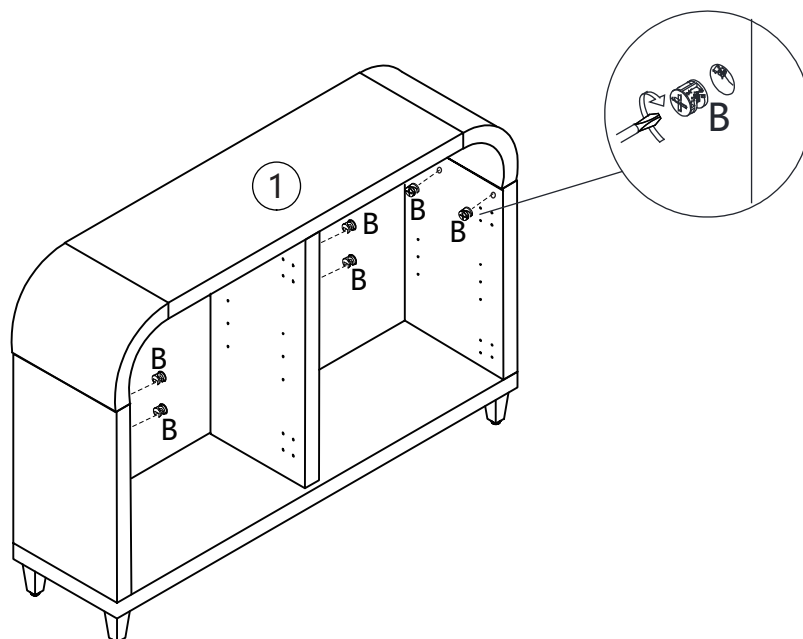
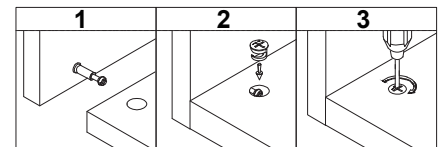
STEP 5



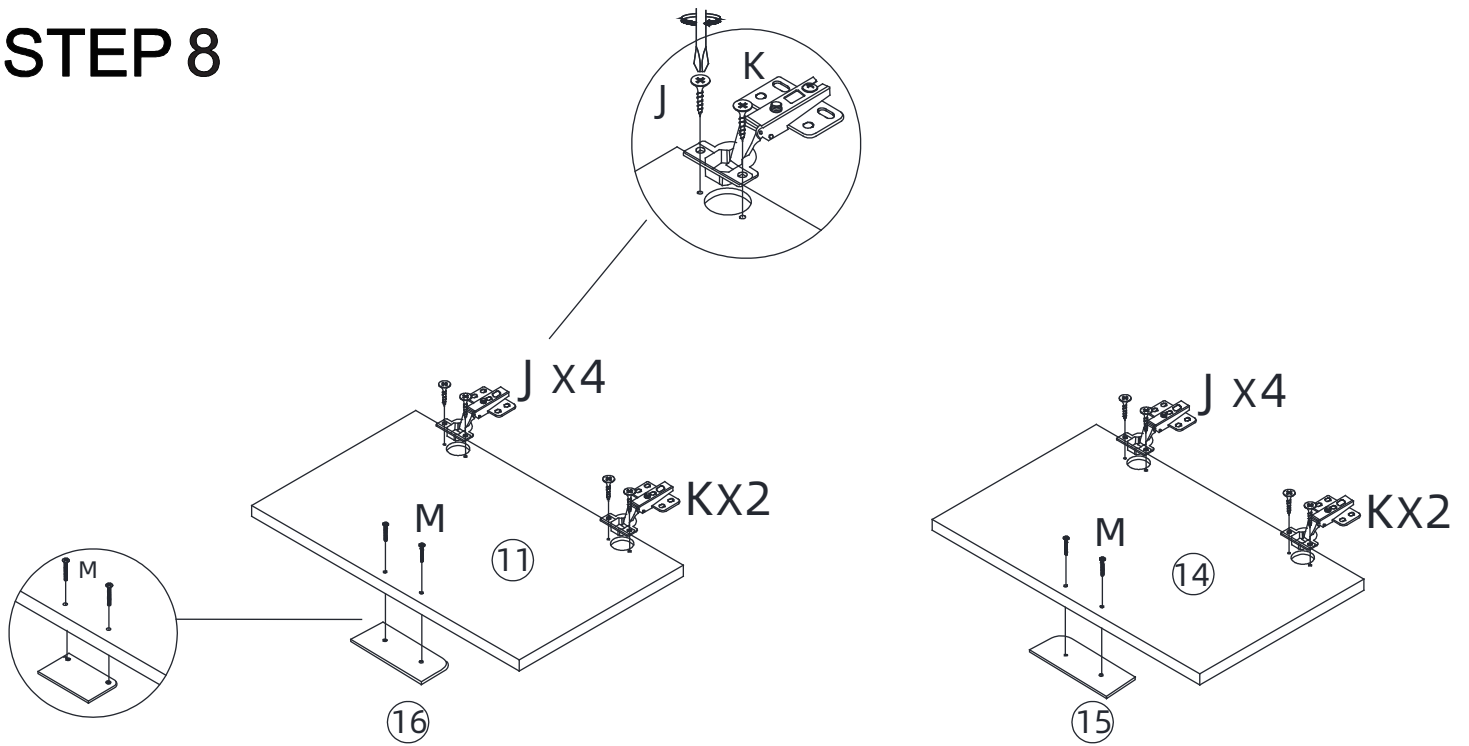
STEP 6


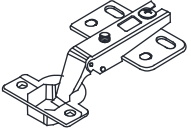



STEP 7



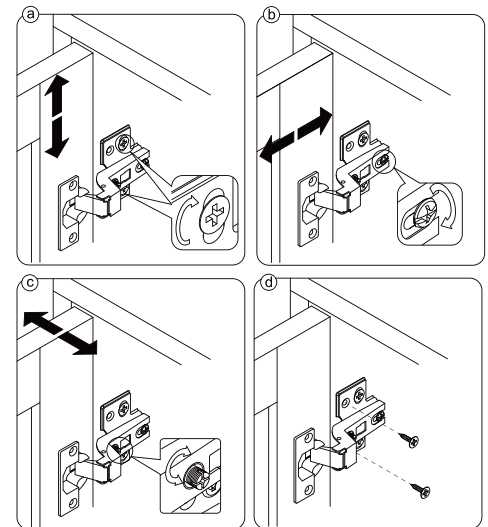
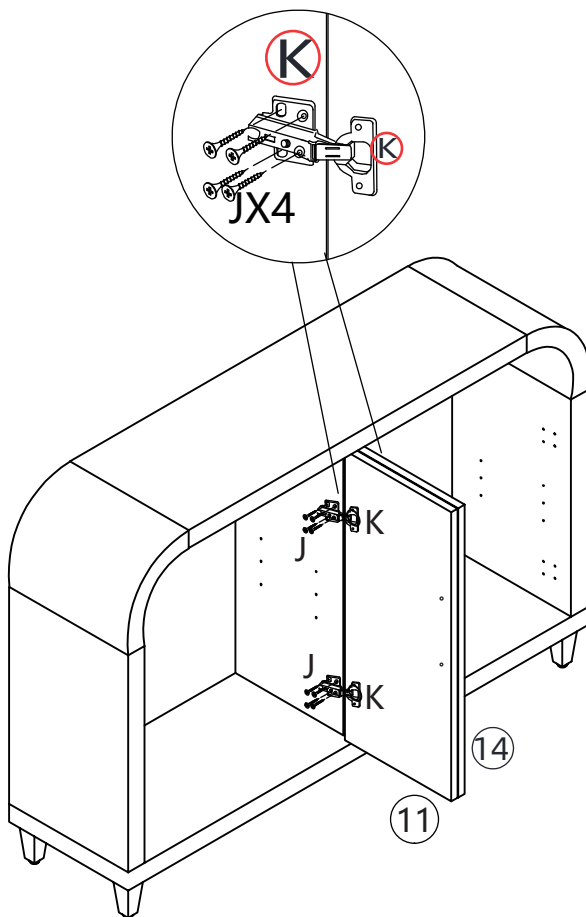
STEP 8




		
Ø4x14mm		Ø6x25mm
J X 8	K X 4	M X 4

STEP 9

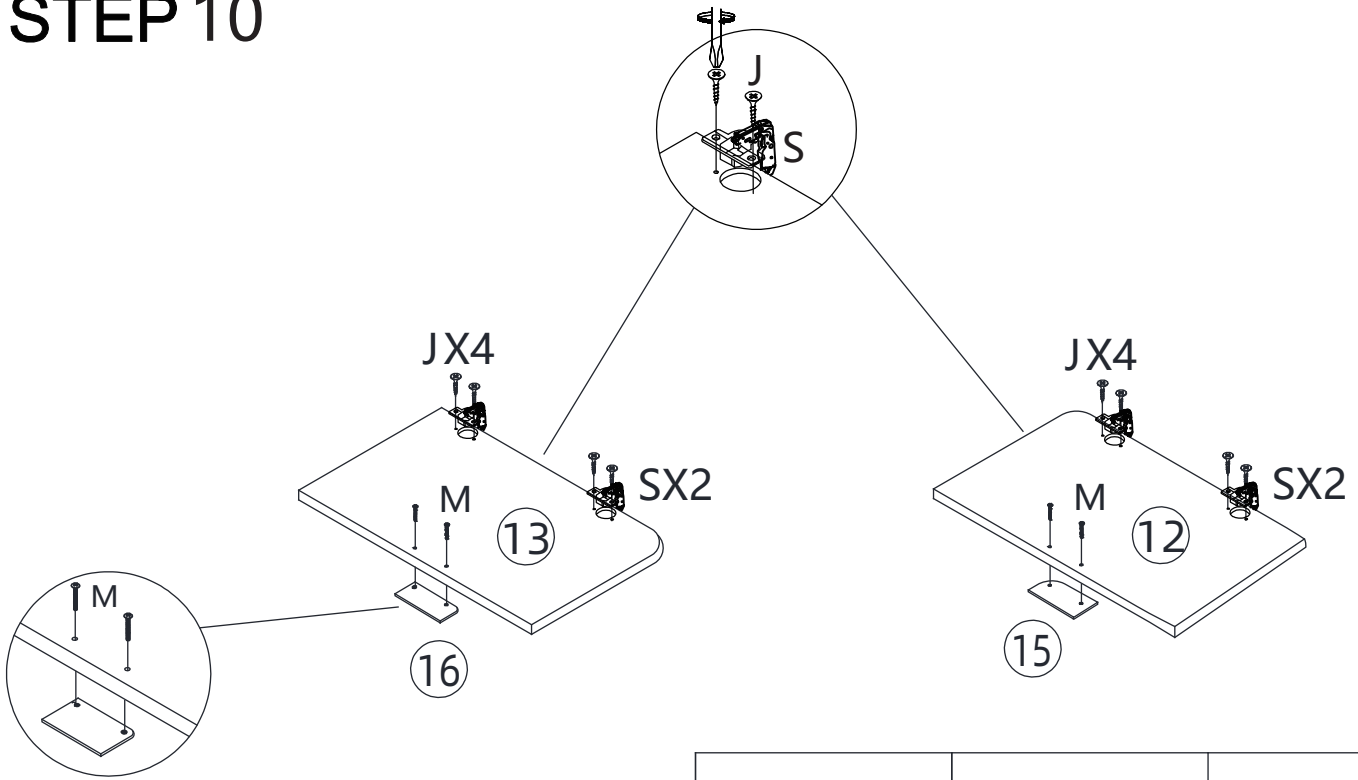
Tip: Corresponding hinge letters to wooden board letters






NOTE: If the doors are uneven or there is a gap in the middle, loosen or tighten the screw on the door hinge until they are sitting flush.


Ø4x14mm
J X 16

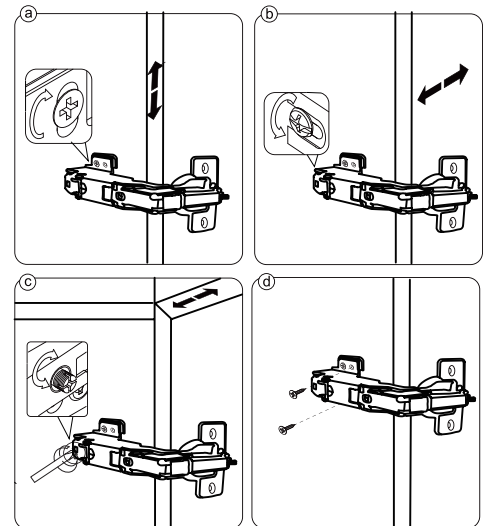
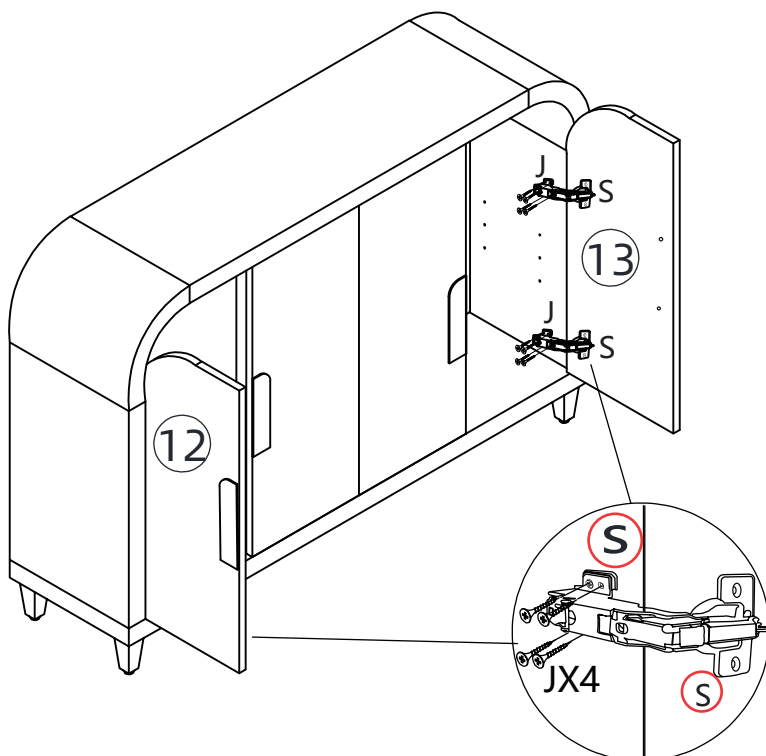
STEP 10




		
SX4	Ø4x14 mm	Ø6x25mm
	JX8	MX4

STEP 11

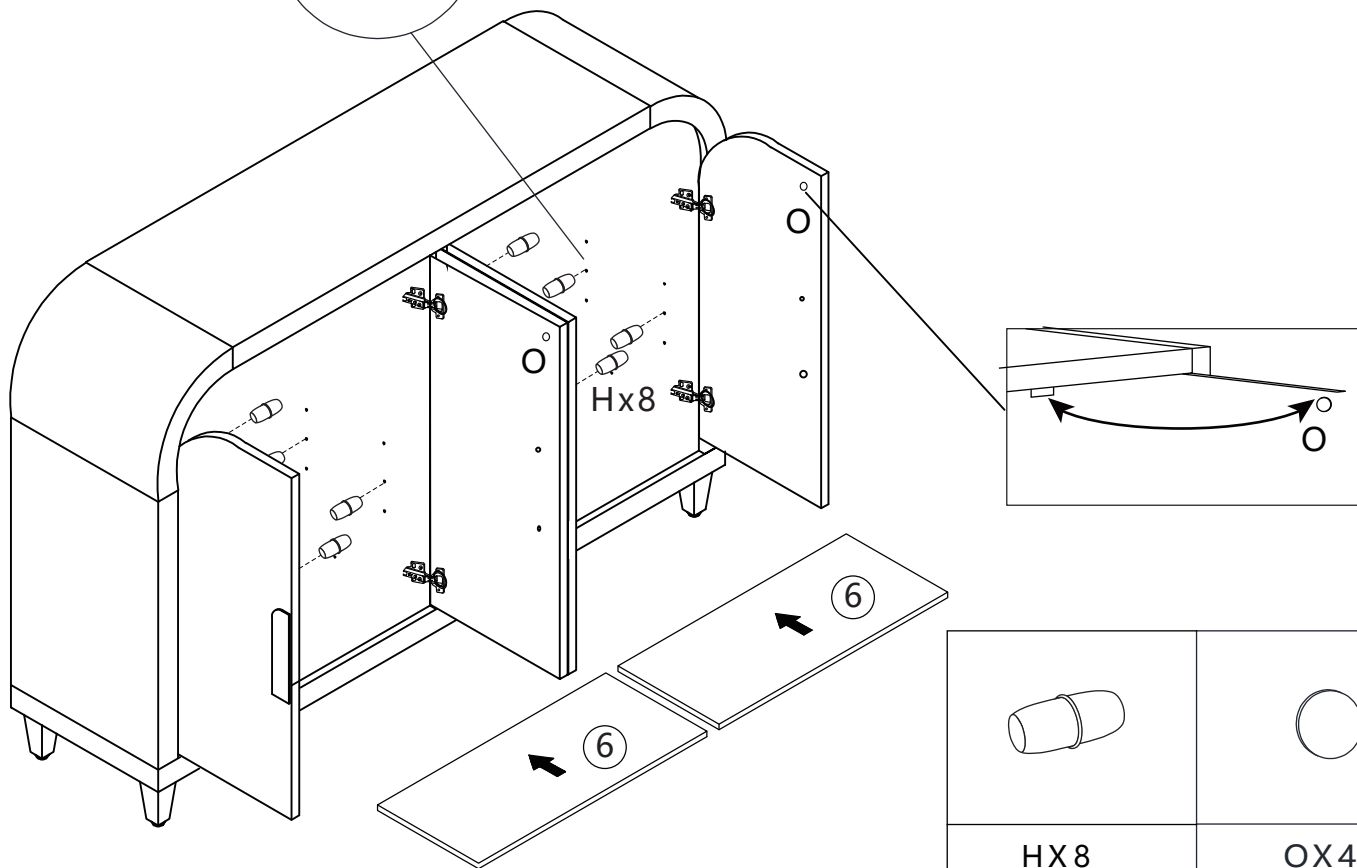
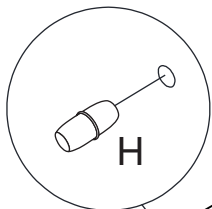
Tip: Corresponding hinge letters to wooden board letters

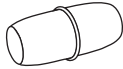



NOTE: If the doors are uneven or there is a gap in the middle, loosen or tighten the screw on the door hinge until they are sitting flush.

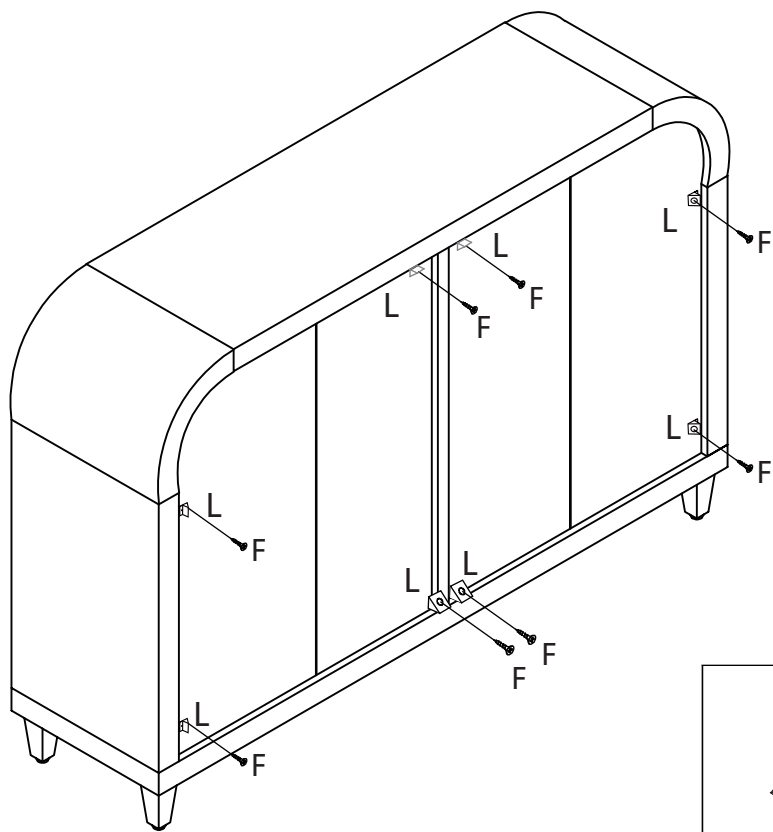

Ø4x14mm
JX16



STEP 12



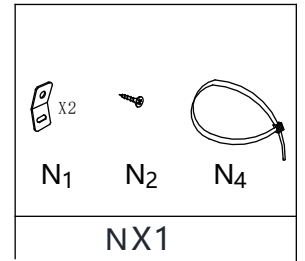
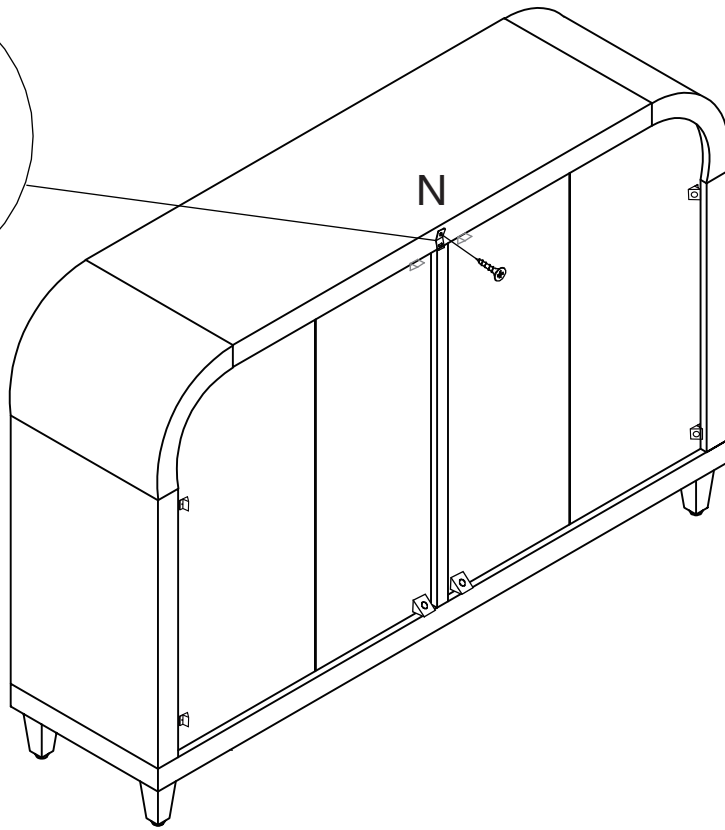
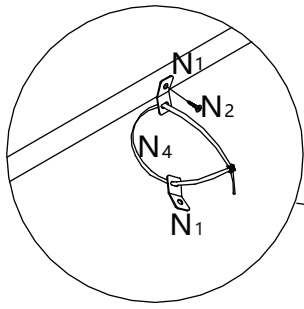
	
HX8	OX4

STEP 13



	
LX8	Ø3x14mm FX8

STEP 14



STEP 15

