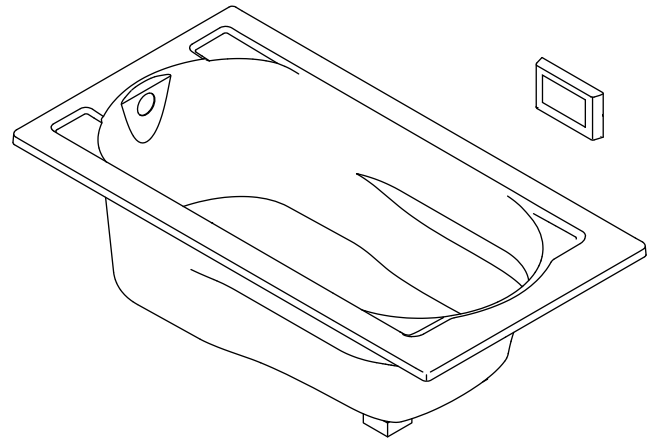


Features

- Acrylic
- VibrAcoustic technology emits sound waves and offers a surround sound experience
- Six transducers and a control amplifier with 25' (7.6 m) of wiring
- User-friendly high-resolution color touch screen in polished chrome
- Molded lumbar support and armrests for comfort
- Textured bottom surface
- Drop-in installation
- Reversible drain
- 60" (1524 mm) x 32" (813 mm) x 20" (508 mm)

5' VIBRACOUSTIC® DROP-IN BATH K-1357-VB



Codes/Standards Applicable

Specified model meets or exceeds the following:

- CSA B45.5/IAPMO Z124
- ASTM E162
- ASTM E662
- UL 1795

Colors/Finishes

- 0: White
- CP: Polished Chrome
- BN: Brushed Nickel
- Other: Refer to Price Book for additional colors/finishes

Specified Model

Model	Description	Colors/Finishes	
K-1357-VB	5' VibrAcoustic drop-in bath	<input type="checkbox"/> 0	<input type="checkbox"/> Other _____

Recommended Accessories

K-7161-AF	Pop-up drain – above-the-floor installation OR	<input type="checkbox"/> CP	<input type="checkbox"/> Other _____
K-7213	Cable drain with PVC tee and pipe OR	<input type="checkbox"/> CP	<input type="checkbox"/> Other _____
K-7214	Cable drain without PVC tee and pipe OR	<input type="checkbox"/> CP	<input type="checkbox"/> Other _____
K-7259	Toe-tap drain	<input type="checkbox"/> CP	<input type="checkbox"/> Other _____

Optional Accessories

K-1491	Bath pillow	<input type="checkbox"/> 0	<input type="checkbox"/> Other _____
K-1601	Bath footstop	<input type="checkbox"/> 0	<input type="checkbox"/> Other _____
1172315	VibrAcoustic interface mounting plate (non-CP finish)		<input type="checkbox"/> BN

Product Specification

The acrylic VibrAcoustic bath shall be 60" (1524 mm) in length, 32" (813 mm) in width, and 20" (508 mm) in height. Bath shall be for drop-in installation. Bath shall feature VibrAcoustic technology offering a surround sound experience. Bath shall have six transducers and a control amplifier with 25' (7.6 m) of wiring. Bath shall feature user-friendly high-resolution color touch screen in polished chrome. Bath shall have molded lumbar support and armrests for comfort. Bath shall have a textured bottom surface. Bath shall feature a reversible drain. Bath shall be Kohler Model K-1357-VB-_____.

DEVONSHIRE®

Technical Information

Fixture*:	
Bathing well:	
Basin area, bottom	42" (1067 mm) x 20" (508 mm)
Basin area, top	51" (1295 mm) x 24" (610 mm)
Weight	81 lbs (36.7 kg)
To overflow:	
Water depth	14" (356 mm)
Capacity	60 gal (227.1 L)
*Approximate measurements for comparison only.	

Drop-in cutout	58" (1473 mm) x 30" (762 mm)
----------------	------------------------------

Amplifier/control:	Power per channel (rms) W	V	Hz
	15	120	50/60z

Required Electrical Service

Dedicated circuit required, protected with Class A Ground-Fault Circuit-Interrupter (GFCI) or Residual Current Device (RCD):

Amplifier/control: 120 V, 15 A, 50/60 Hz

Installation Notes

Install this product according to the installation guide.

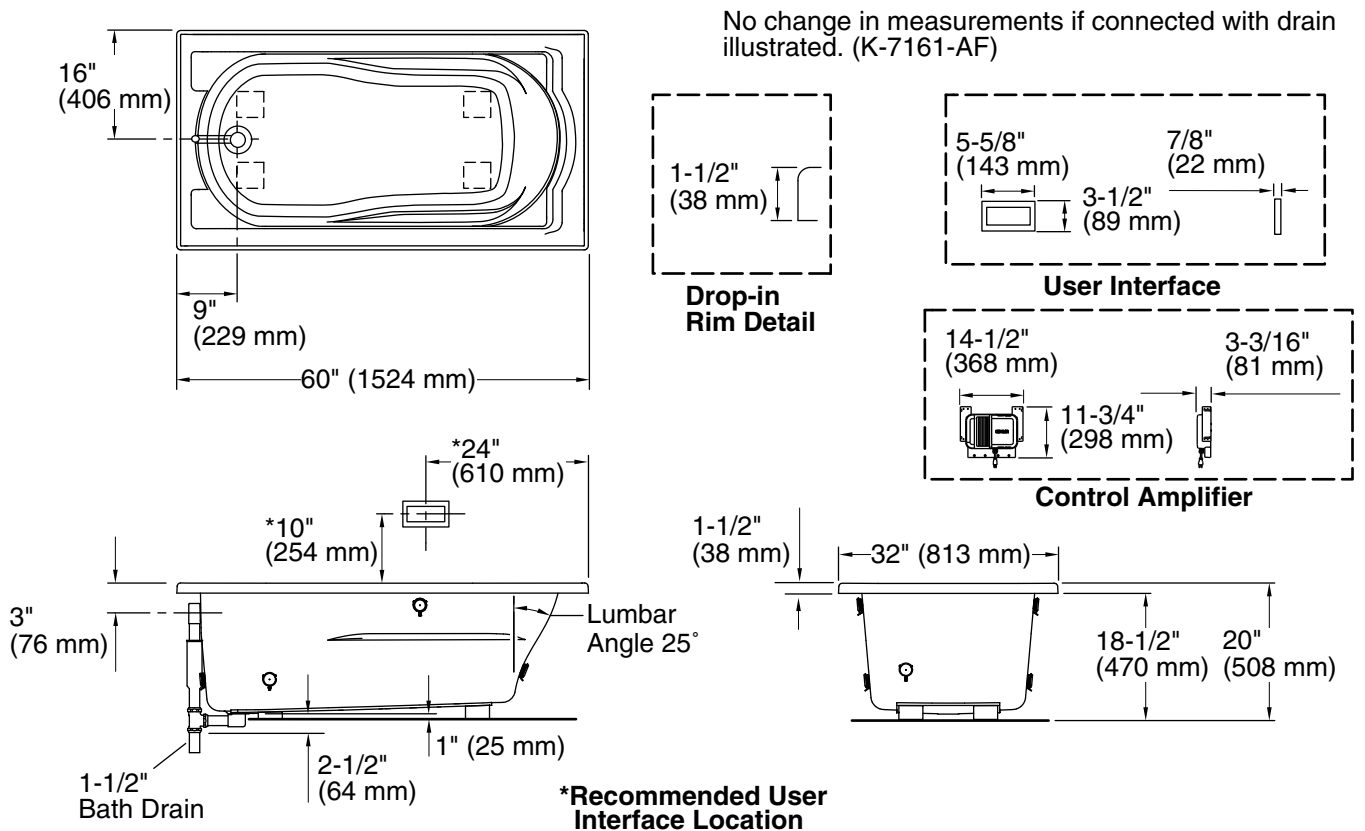
Control amplifier fits 16" (406 mm) center studs.

A grounded outlet within the wall framing must be within 24" (610 mm) of the planned control amplifier.

Cables are included, 25' (7.6 m) each.

Floor support under bath must provide for a minimum of 45.5 lbs/square foot (222.2 kg/square meter) loading.

Ensure that the bath, user interface, amplifier, and transducers are functional before completing the installation.



Product Diagram