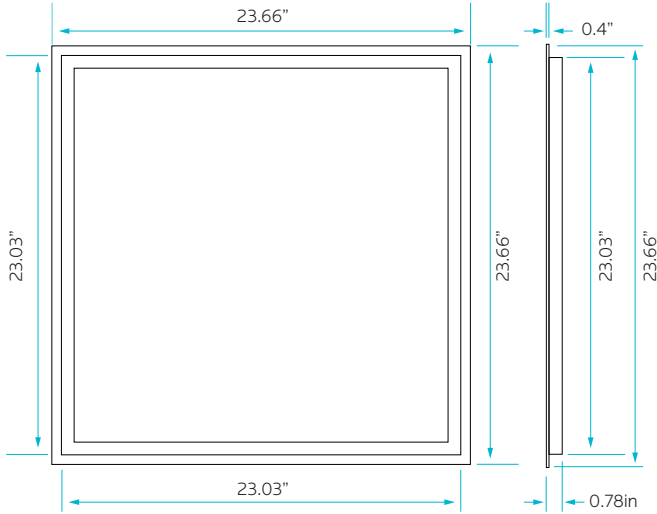


## INSTALLATION GUIDE

### 2'X2' FRAME PANEL

### LR24190, LR24191, LR24192, LR24193, LR24194



#### SUSPENSION KIT \*SOLD SEPARATELY

MODEL	DESCRIPTION	LENGTH	MATERIAL
LR24199	LED40W2X2FRAME/SKIT	3.2 FT	COPPER/STEEL CABLE

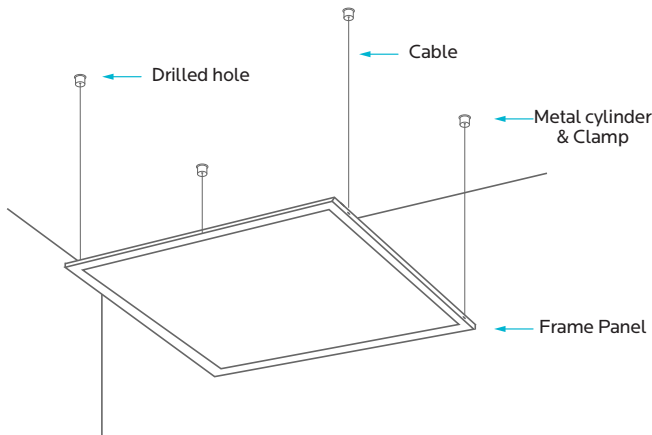


#### SAFETY RECOMMENDATIONS

1. TURN OFF ELECTRICAL POWER BEFORE STARTING INSTALLATION.
2. THIS PRODUCT MUST BE INSTALLED IN ACCORDANCE WITH THE APPLICABLE INSTALLATION CODE BY A PERSON FAMILIAR WITH THE CONSTRUCTION AND OPERATION OF THE PRODUCT AND THE HAZARDS INVOLVED.
3. CAUTION: RISK OF FIRE. CONSULT A QUALIFIED ELECTRICIAN TO ENSURE CORRECT BRANCH CIRCUIT CONDUCTOR.
4. THIS LUMINAIRE CAN ONLY BE USED IN DRY, INDOOR CONDITIONS.

#### SUSPENDED

1. Turn off electrical power
2. Set up Suspension Kit \*SOLD SEPARATELY, and set the cable's length at 24"
2. Insert cable through the Frame Panels holes and screw bolts.
3. With the cable in place, measure and drill Ø6mm holes on the ceiling studs.
4. Screw the 4 metal cylinders onto the ceiling
5. Push the cable into the cable clamp, adjust accordingly and screw into metal cylinders.
6. Connect to driver and wire.



#### RECESSED

1. Turn off electrical power.
2. Remove the ceiling panel.
3. With the LED frame facing down, insert Frame Panel into the ceiling with the cable facing upwards.
4. Connect to driver and wire.
5. Put the ceiling panel back in its place over the Frame Panel.

