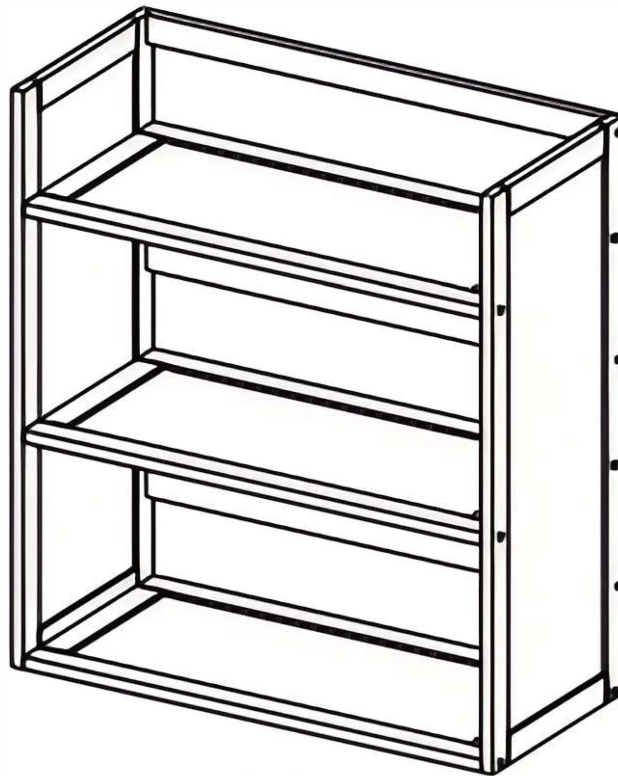


Installation & Assembly

BOOKSHELF

PRODUCT MANUAL



WARNING

Please read the instruction manual carefully before assembly.

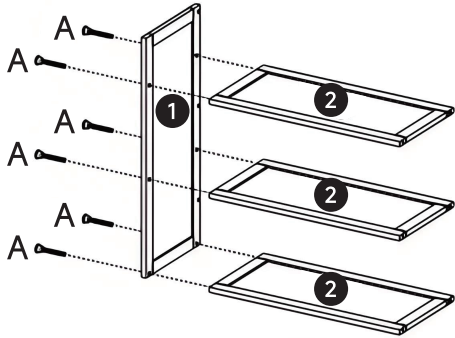
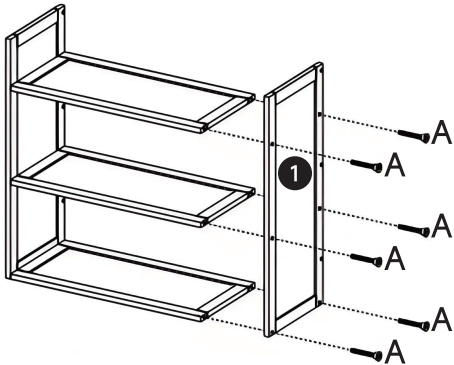
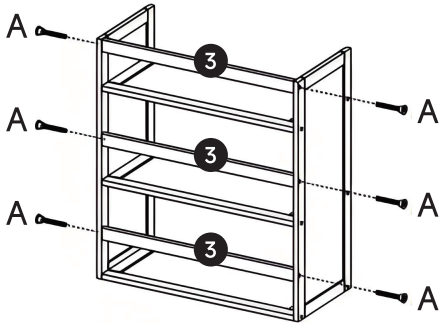
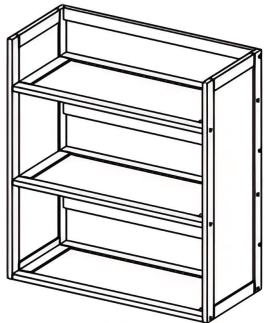
Please assembly strictly in accordance with the instrution.

Please double-check to ensure that all parts of the package contents intact.

ACCESSORIES LIST (CLASSIFY FIRST, THEN INSTALL.)

				
① Bracket	② shelf board	③ baffle	④ wrench	⑤ screw

ACCESSORIES LIST

<p>1</p>  <p>First, install the shelf board onto the bracket with screws.</p>	<p>2</p>  <p>Fix the other shelf board with screws.</p>
<p>3</p>  <p>Fix the stopper with screws.</p>	<p>4</p>  <p>Installation completed.</p>

 Note that this instruction manual takes the three-layer rack as an example.