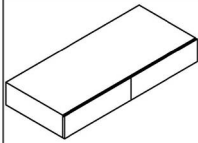
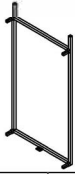






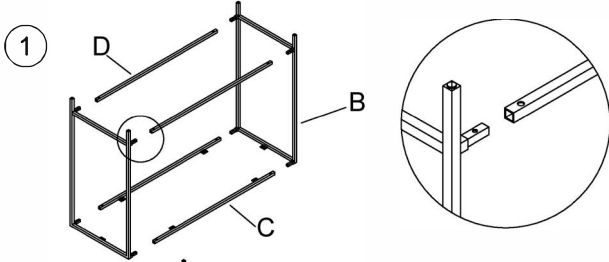


ASSEMBLY INSTRUCTIONS

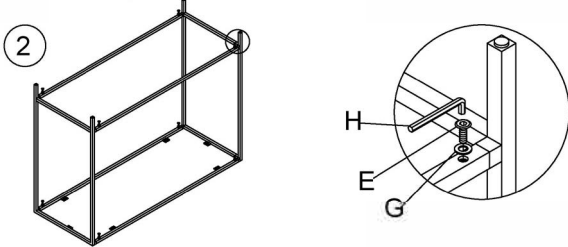
AX1 	BX2 	CX2 	DX2 	
EX8 	FX6 	GX14 	HX1 	EXTRA HARDWARE E-2 PCS F-2 PCS G-2 PCS

Note: 1. Please do not tight any bolt unless all bolts are fixed at their respective places.
2. After fixing the bolts tighten them simultaneously.
3. Matching Parts Bolt (example AtoA)
4. Two person assembly required.

①

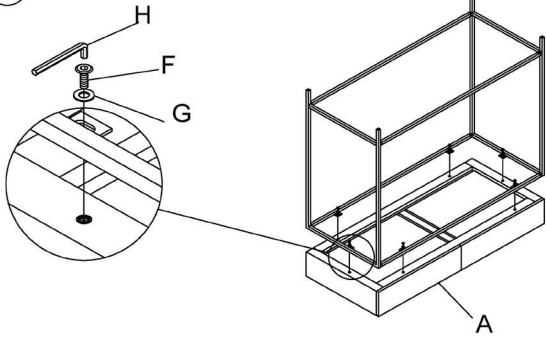


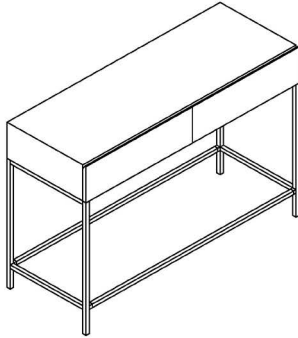
②



Page 1 of 2

③





Page 2 of 2