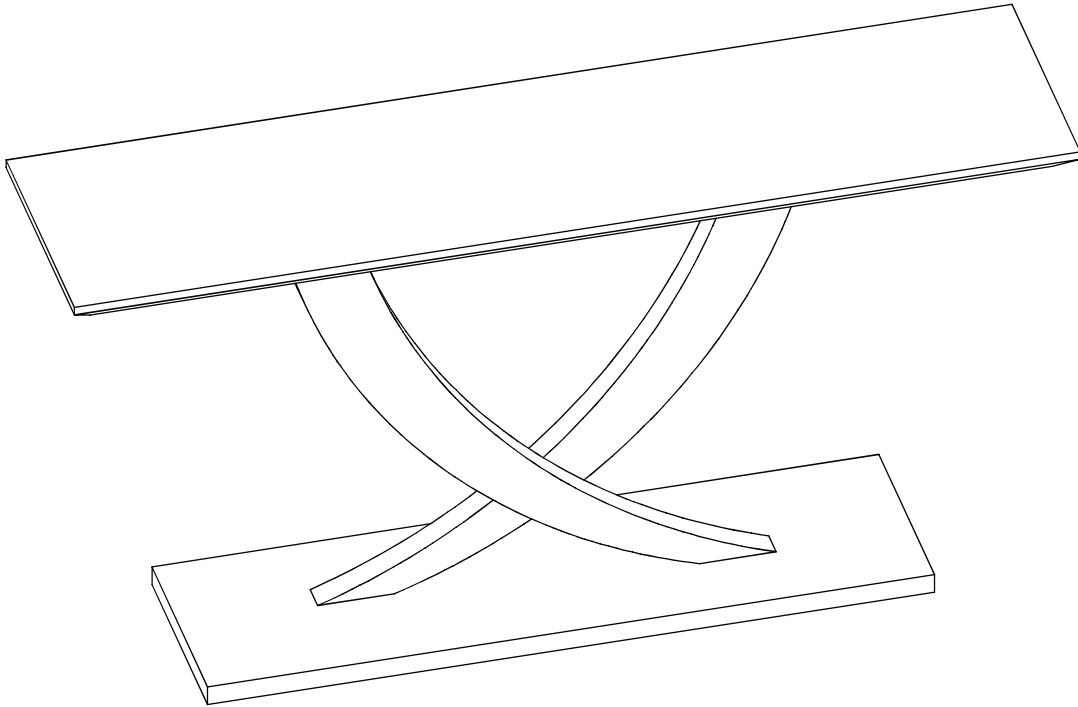


RASMUS CONSOLE TABLE



Version 4 / Updated as of 05.24



Have questions about
assembling your item?



Items or parts damaged?



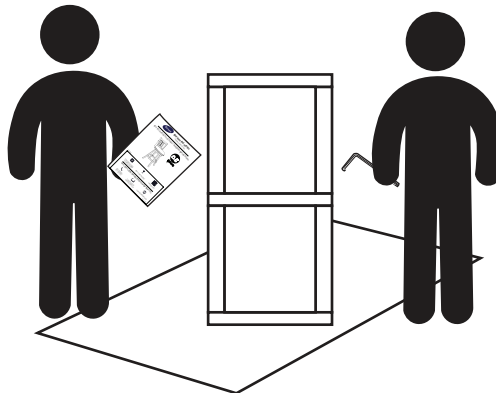
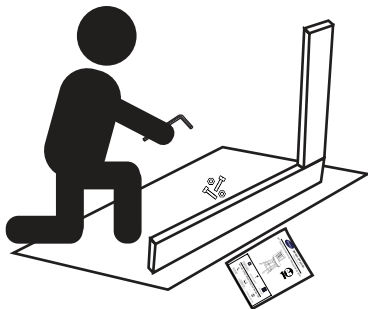
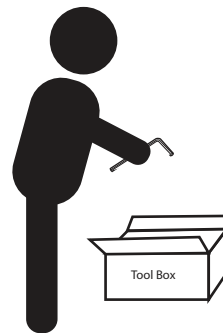
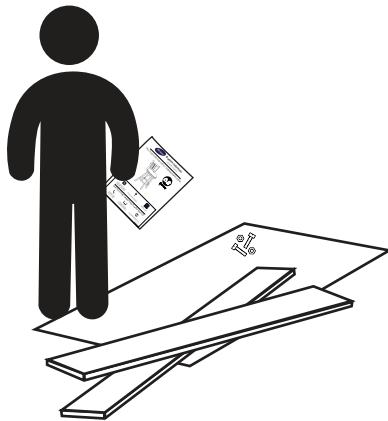
Missing a part?

Assembly And Care

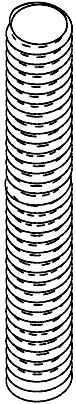
- All tools required for assembly are included unless noted.
- Prior to assembly, check for missing or damaged parts.
- Do not dispose of packing materials until assembly is completed.
- Assemble item on a soft, clean surface to prevent damage to the item.



Locate the **HARDWARE PACK** which is attached to the shipping carton with red tape.

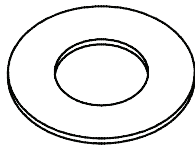


A



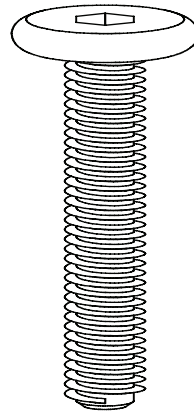
Threaded rod
M8*40
1 PC

B



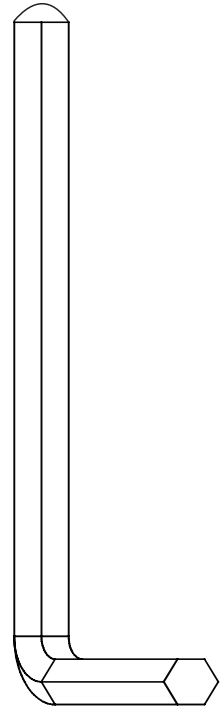
Plastic Washer
1 PC

C

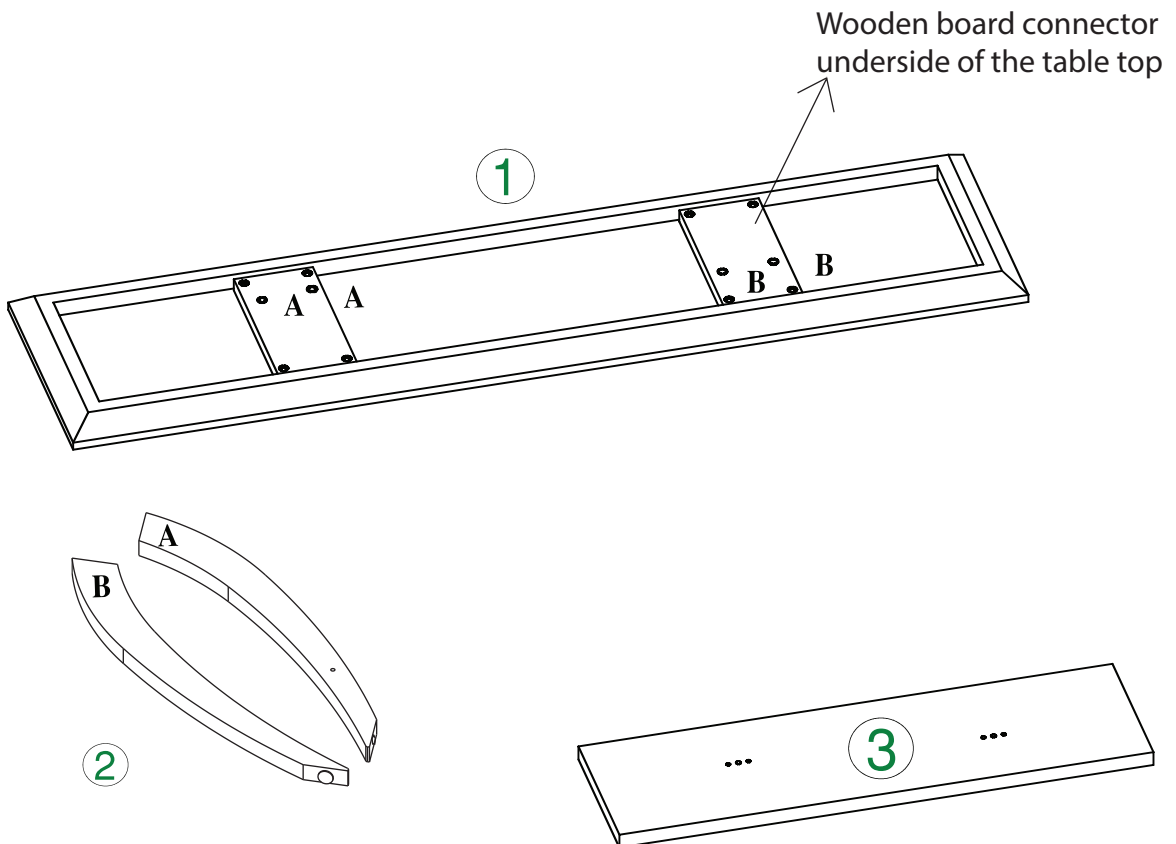


M8*40
8 PCS

D

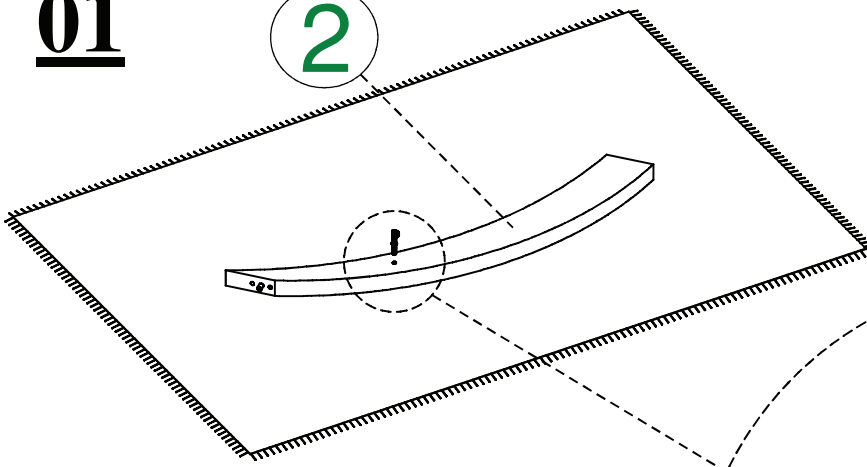


1 PC



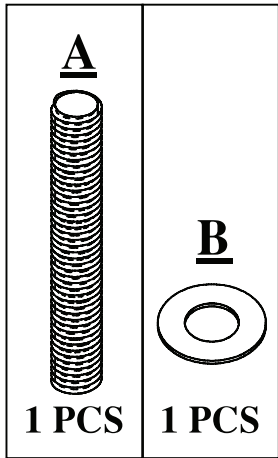
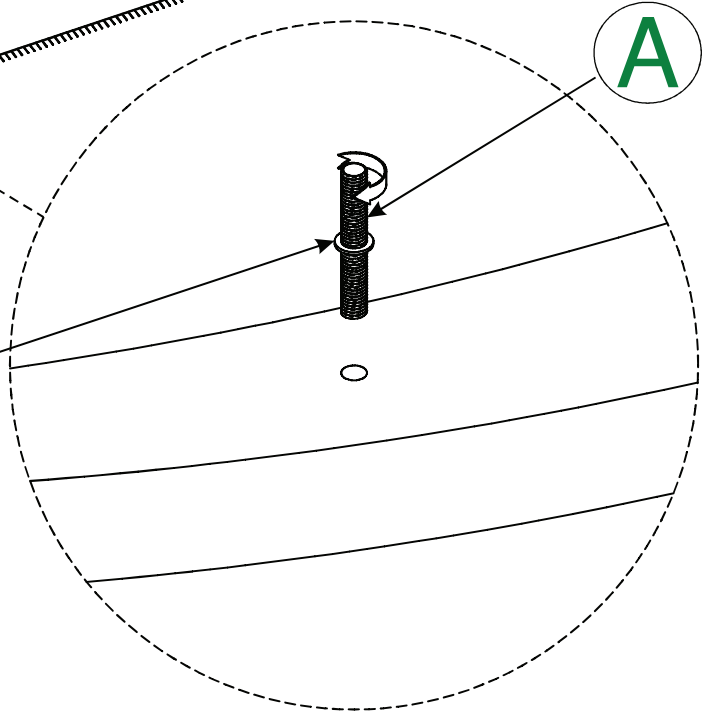
01

2



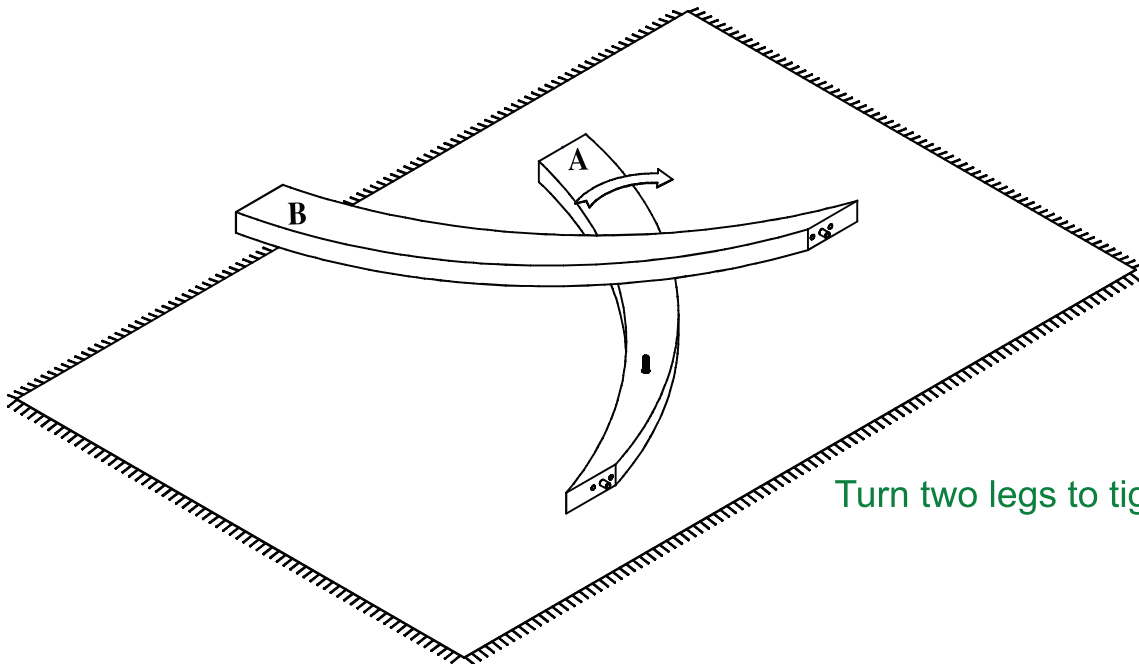
B

A



TIGHTEN BOLT COMPLETELY.

02

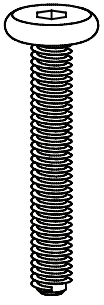


Turn two legs to tighten

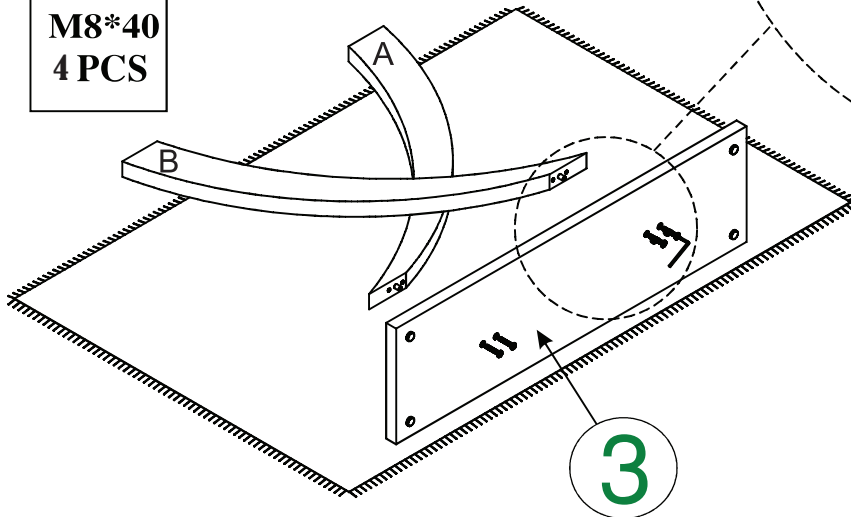
TIGHTEN BOLT COMPLETELY

03

C



M8*40
4 PCS



TIGHTEN BOLT COMPLETELY.

04

D

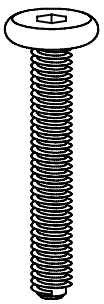
Remove wooden board connector from table top with Allen key provided. Please keep the hardware for step 06.



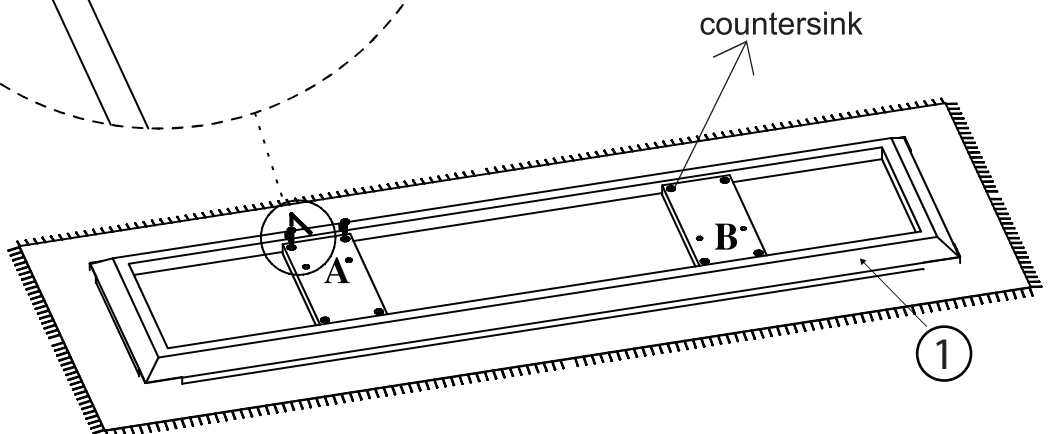
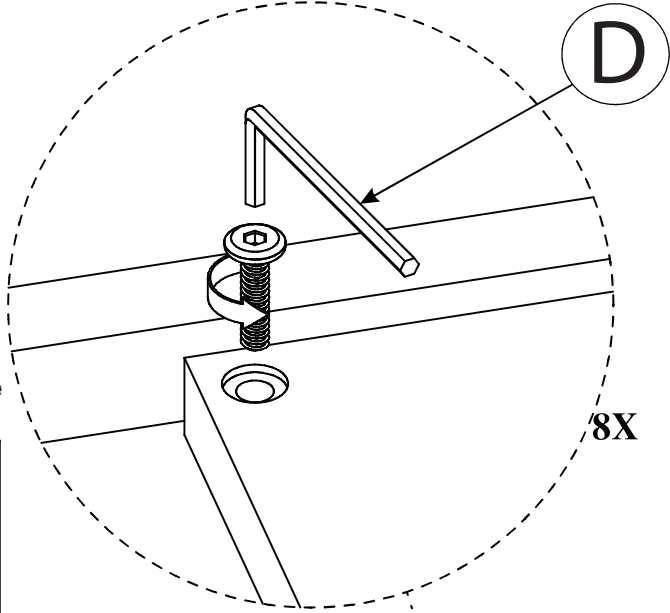
Refer to the instructional video on our website before attempting this step.

<https://boraamindustries.com/boraam/rasmus-console-table/>

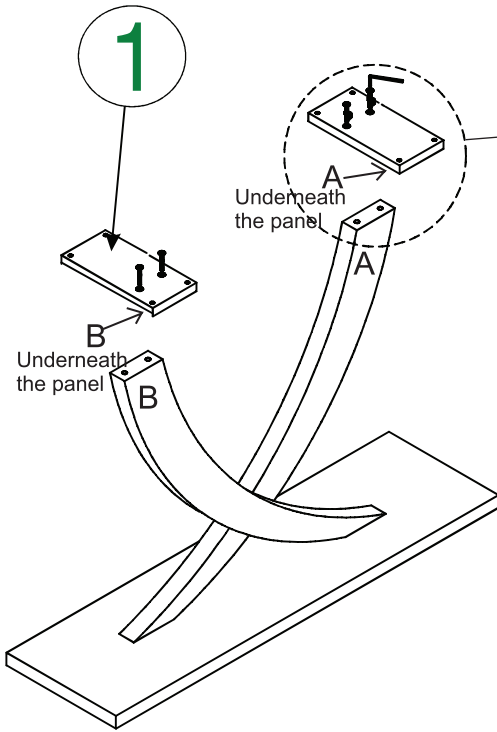
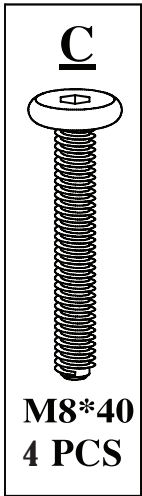
Hardware Included



M6*25
8 PCS



05

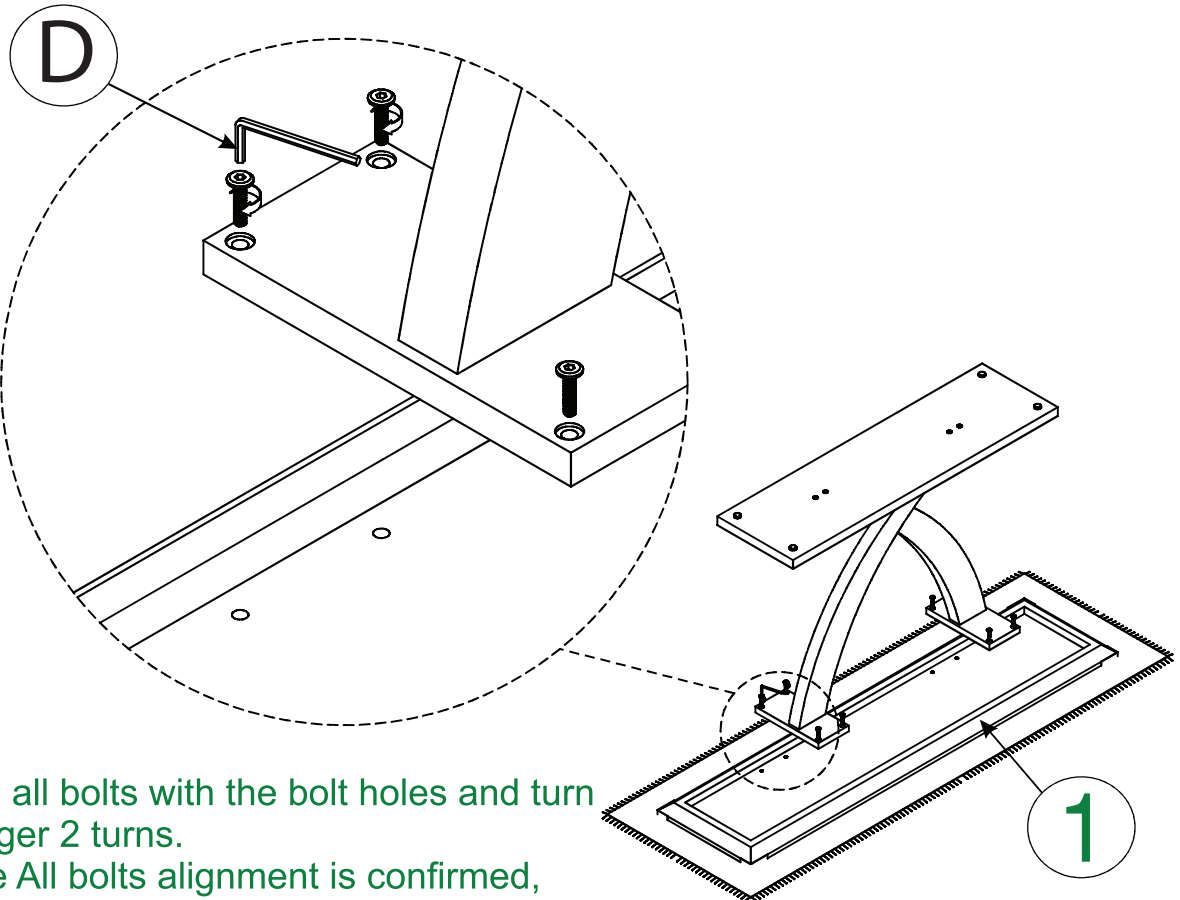
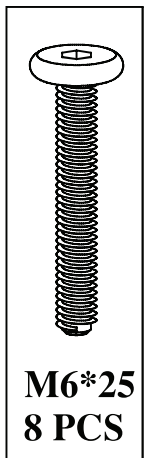


Align wooden board connector to match A - A, B - B

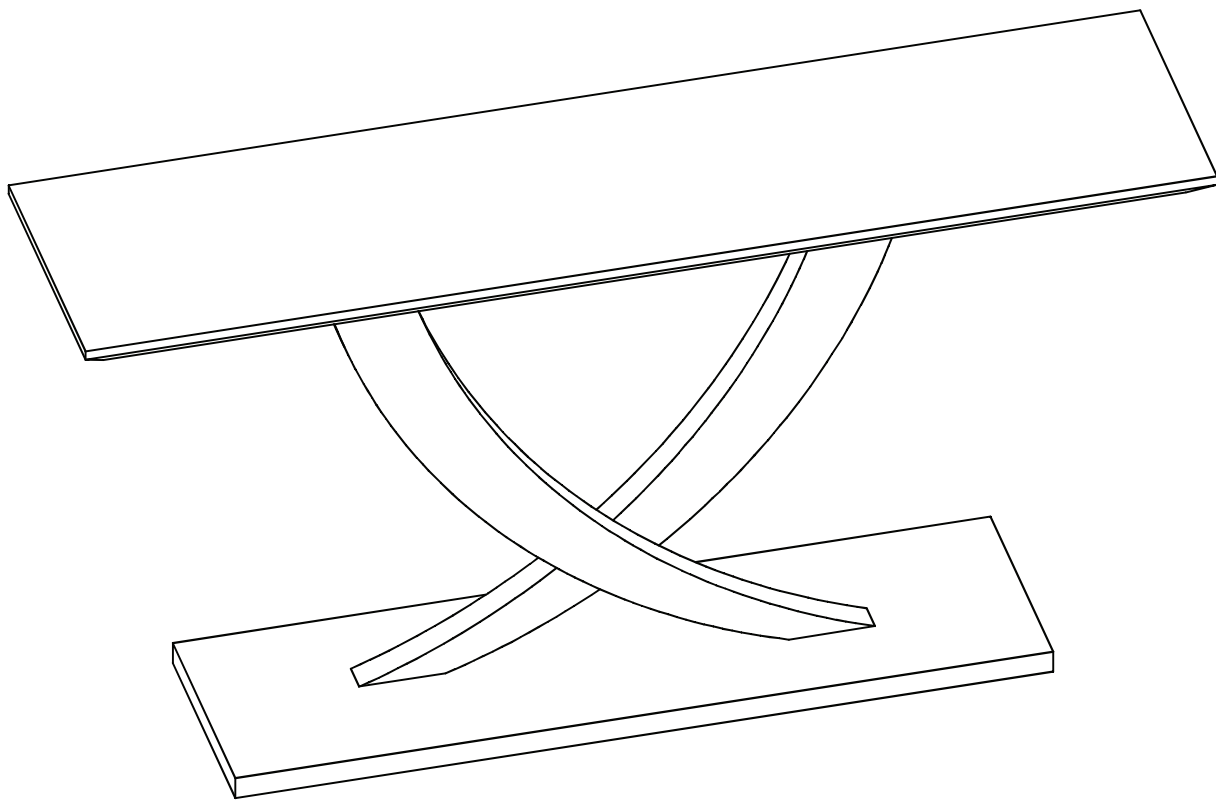
TIGHTEN BOLT COMPLETELY.

06

Hardware Included



-Align all bolts with the bolt holes and turn by finger 2 turns.
-Once All bolts alignment is confirmed, tighten securely using provided allen key.



Warning:
Serious injuries can occur from the Console table tip-over

BE SURE TO CHECK ALL BOLTS ARE SECURELY
TIGHTENED PRIOR USING THIS TABLE.