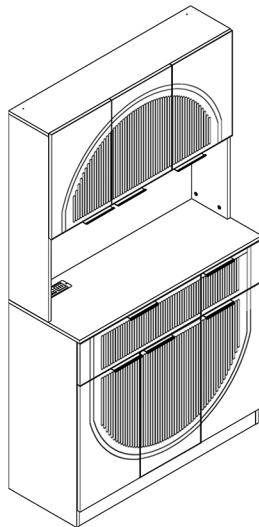
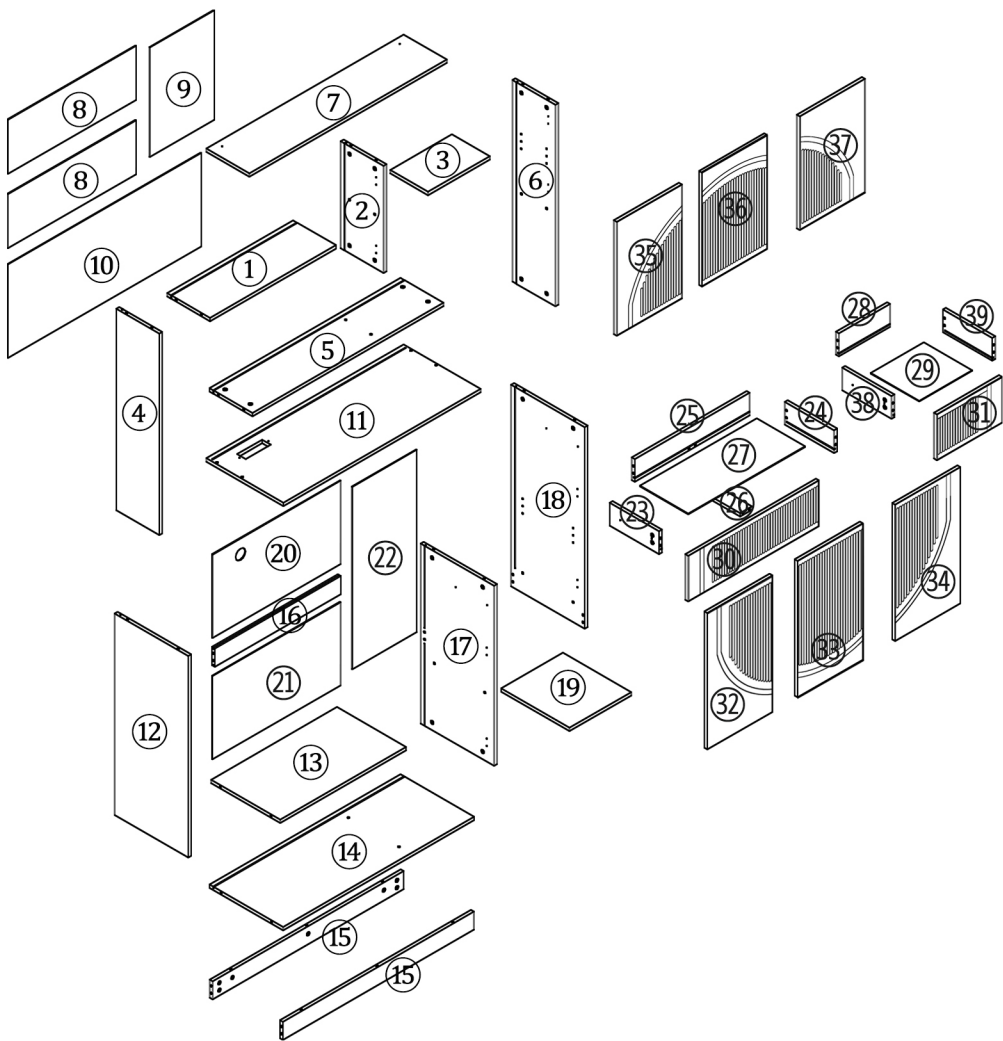
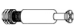


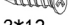
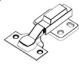
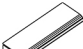





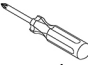



ASSEMBLY INSTRUCTION

- Please follow the instructions to assemble the items correctly.
- Please ensure the safety of the glass when assembling.
- Do not make the screws too loose or too tight.
- As shown in the figure, Insert the screw into the hole.
The arrow in the picture, Then rotate 90° or 180° clockwise.
- The accessory bag contains some small accessories, which should be kept away from children.
- The remaining parts are spare parts.
- Warm reminder white backboard please install the white side inward
- The operating instruction of RGB light is included in the package , please read it carefully when assembling

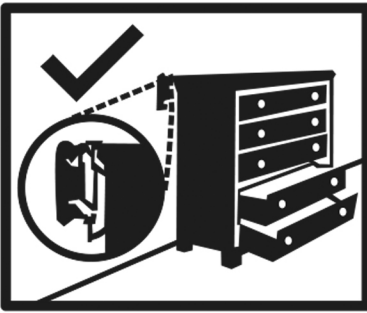
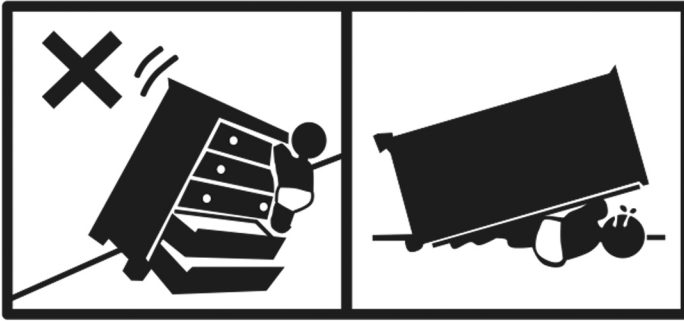




A  74pcs	B  74pcs	C  3.5*14 120pcs	C1  3*12 16pcs	D  12pcs	F  8pcs	G2  8pcs	K  4pcs
R  1pcs	X  2pcs	Y  28pcs	AG  1pcs	AM  Decorative paper 26pcs			



WARNING



Children have died from furniture tip over. To reduce the risk of tip over:

- ALWAYS secure this furniture to the wall using an anti-tip device.
- NEVER allow children to stand, climb, or hang on drawers, doors or shelves.

Do not defeat or remove the drawer interlock system.

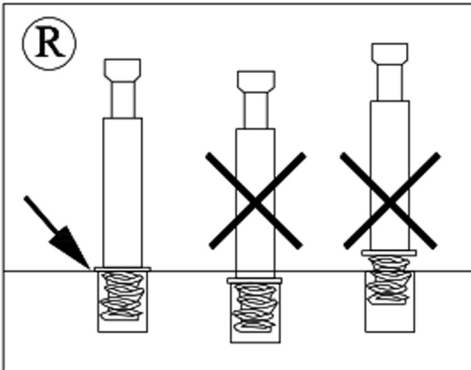
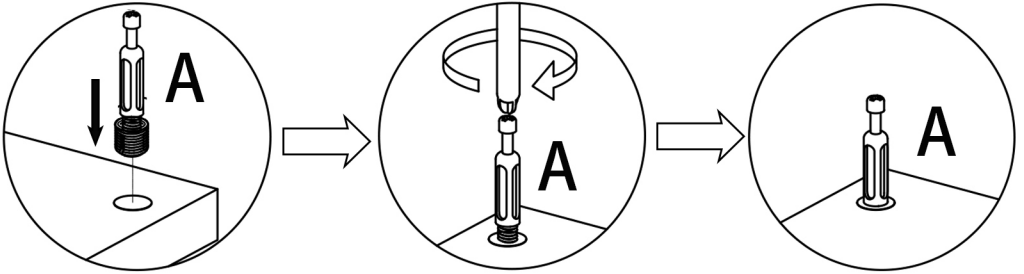
Place heaviest items in the lowest drawers.

NEVER put a TV on this furniture.



Hardware installation demonstration

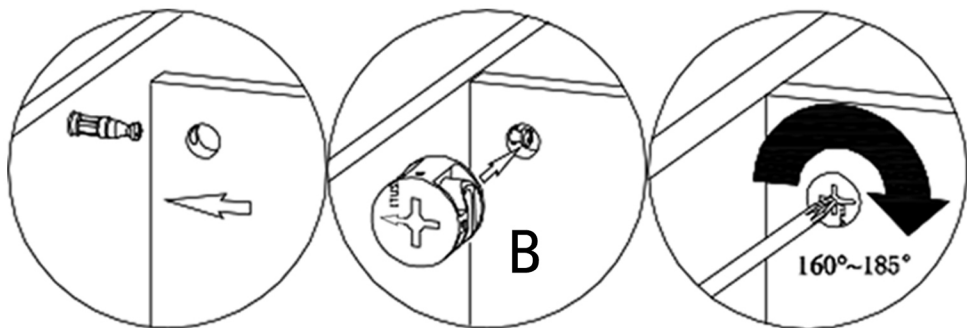
● Please make sure "A" hardware tightened and can't be pulled out





Hardware installation demonstration

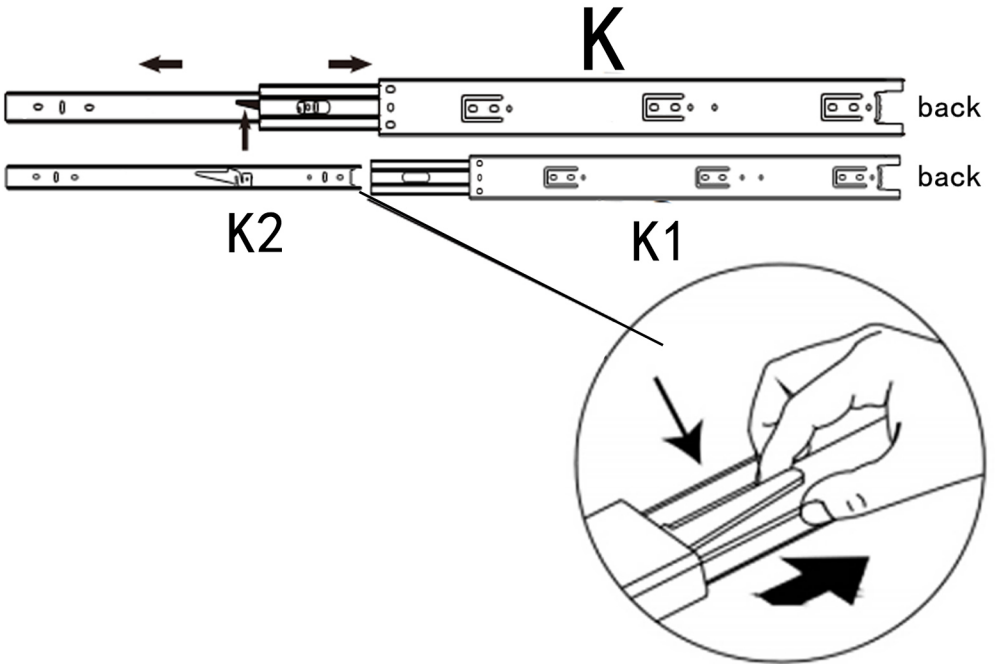
- When inserting cam ensure arrowhead on cam points toward to the hole on the panel edge





Hardware installation demonstration

- Before installing the drawer rail, you need to separate the K1 and K2 first.



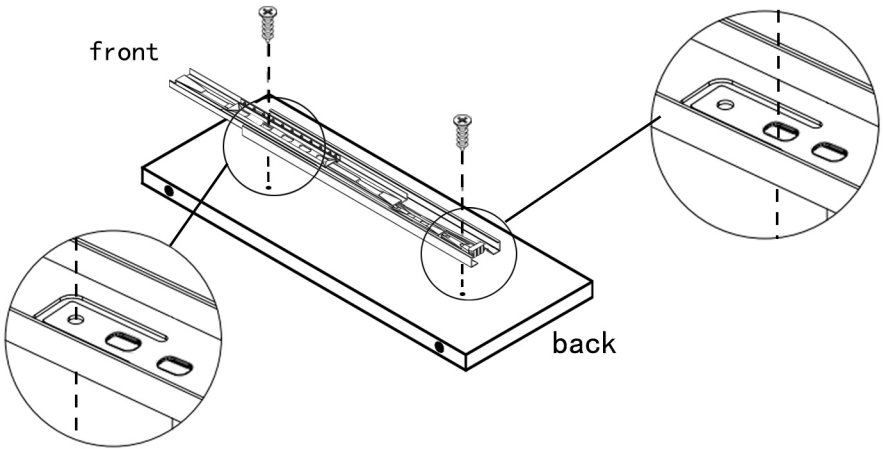
Warm Reminder: Press it and split



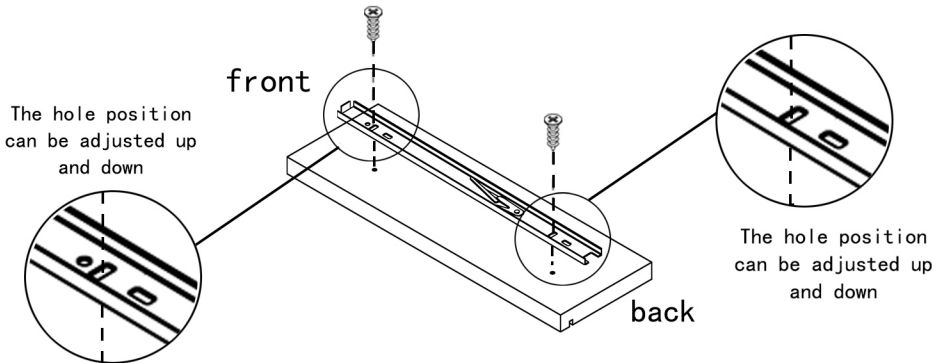
Hardware installation demonstration



The first screw hole should corresponded with the board location hole



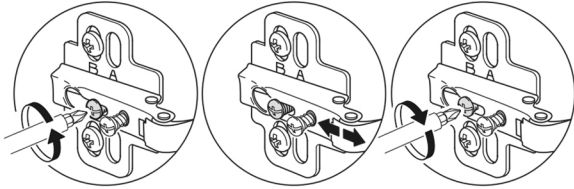
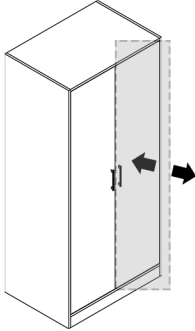
The first screw hole should corresponded with the board location hole





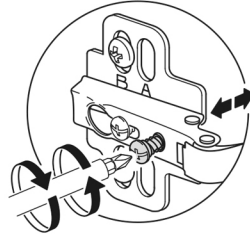
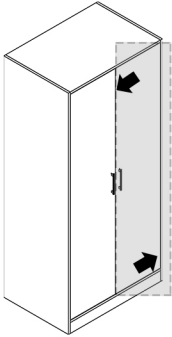
Hardware installation demonstration

Cabinet door front and rear adjustment



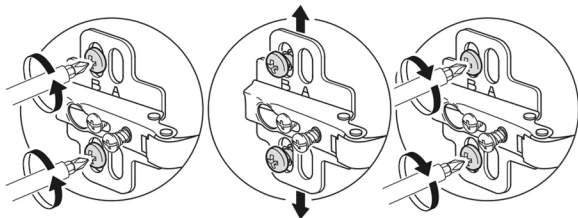
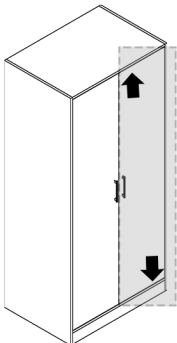
Adjusting screws can change the gap between the door panel and the cabinet side

Cabinet door left and right adjustment



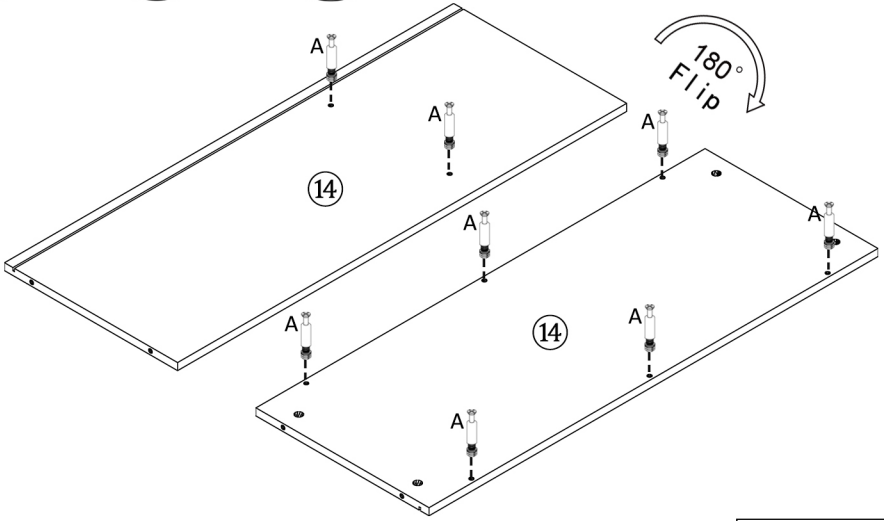
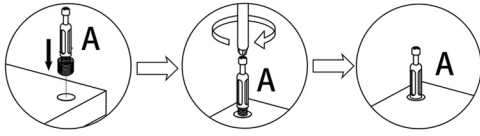
Adjusting screws can change the door panel relative to the cabinet next to the coverage

Cabinet door up and down adjustment

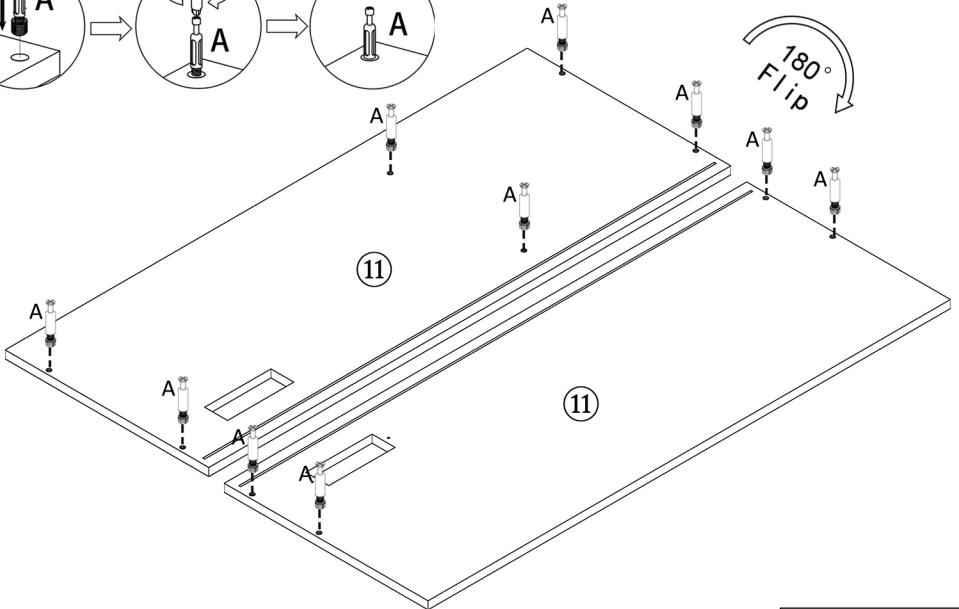
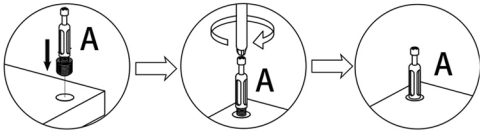


Adjusting screws can correct the upper and lower clearance of the door panel

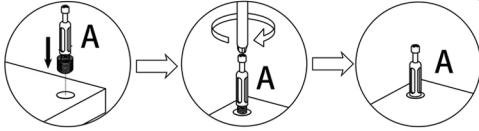
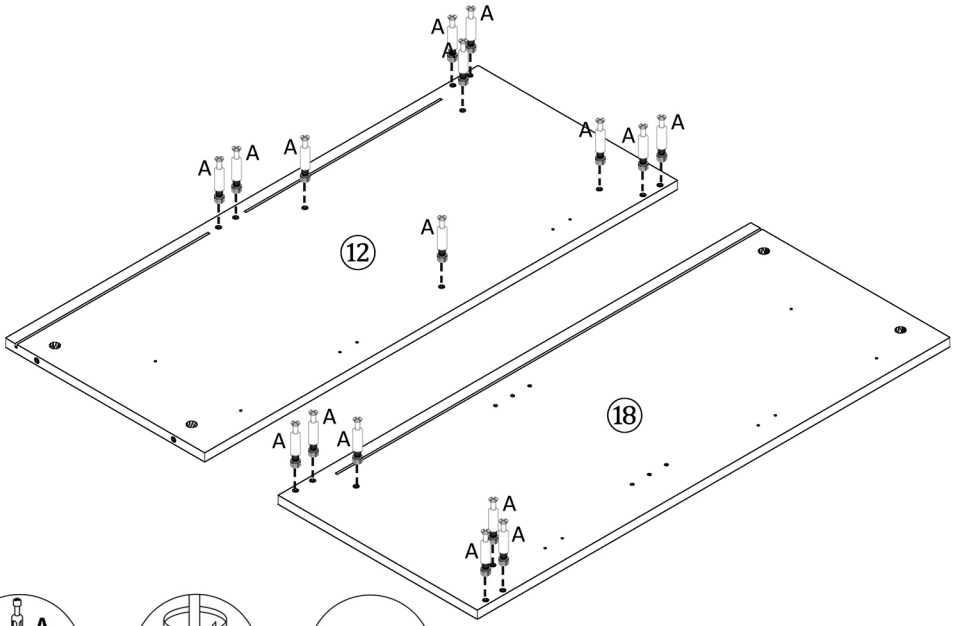
STEP 1



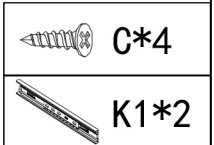
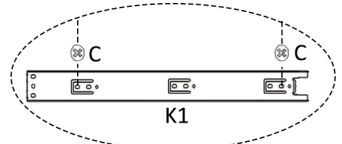
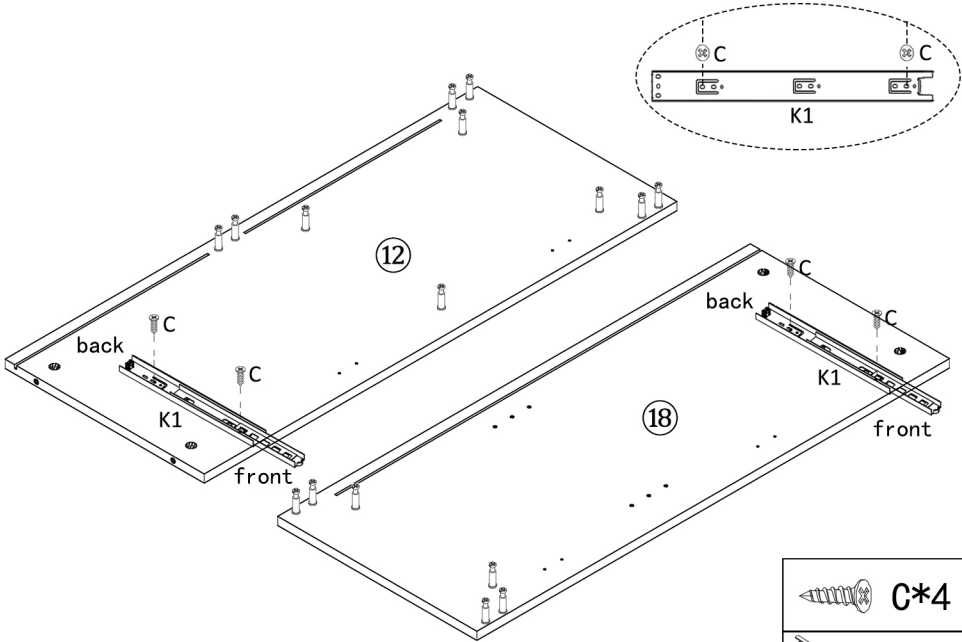
STEP 2



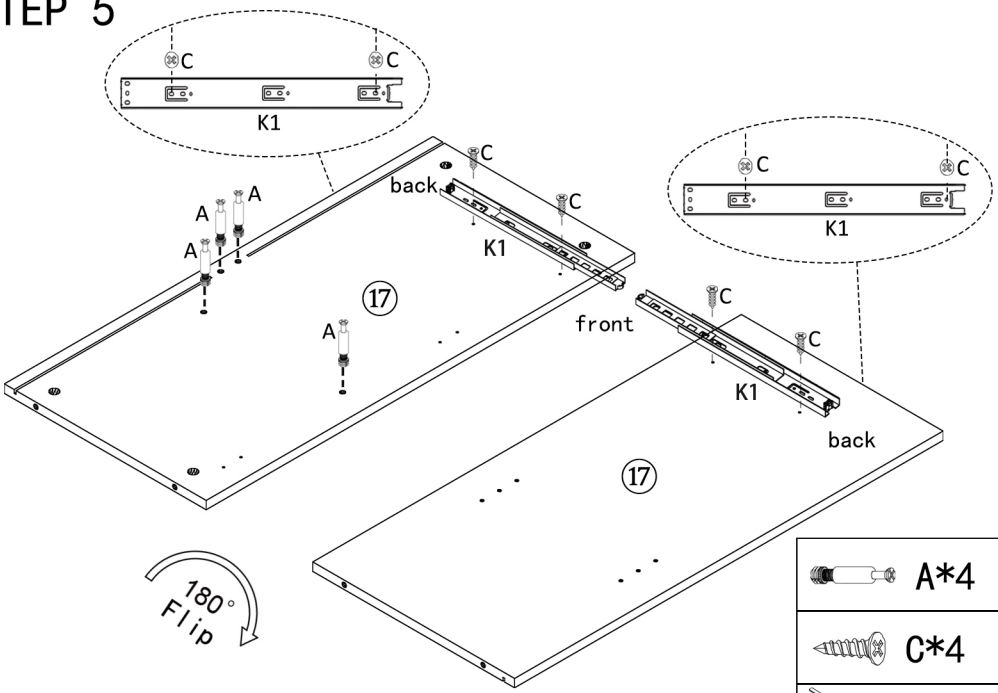
STEP 3



STEP 4

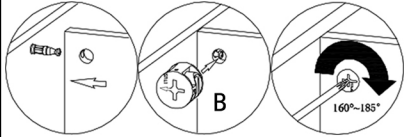
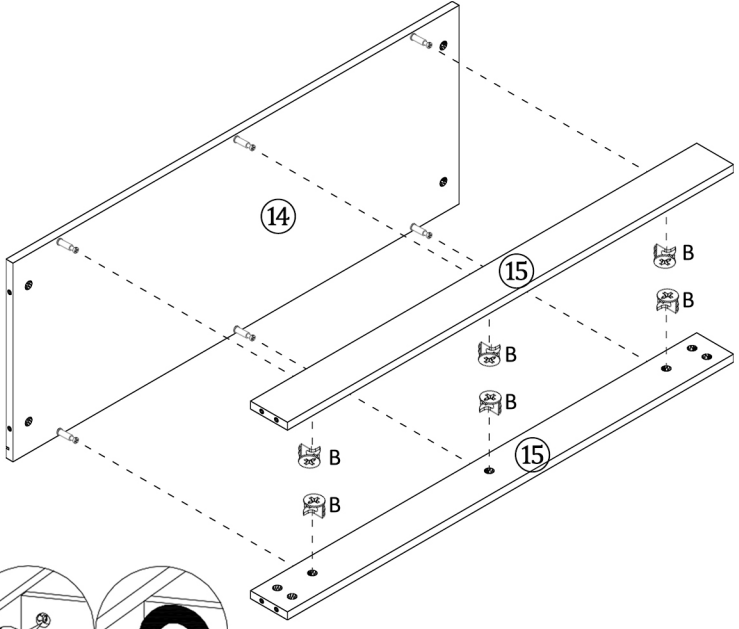


STEP 5



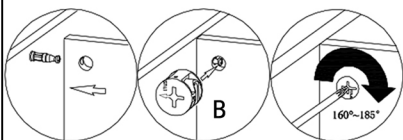
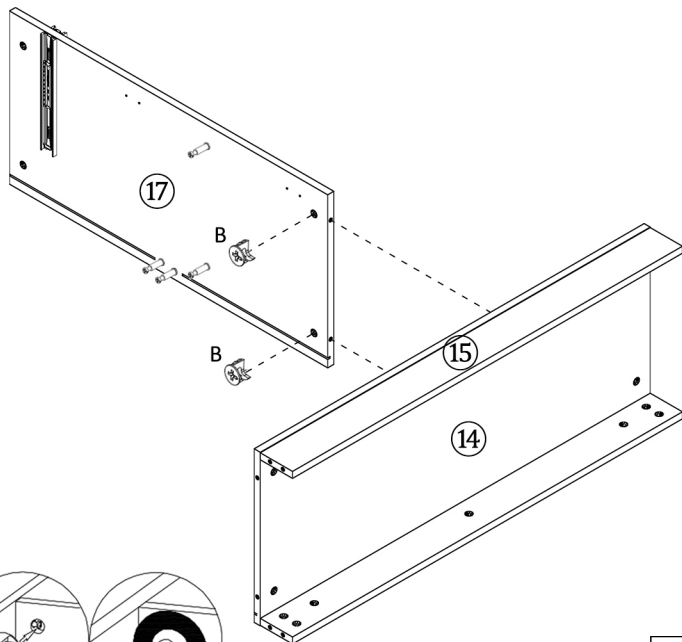
Notice: that the positioning holes of the slide rails on board #17 are different

STEP 6



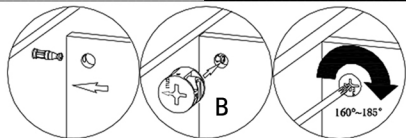
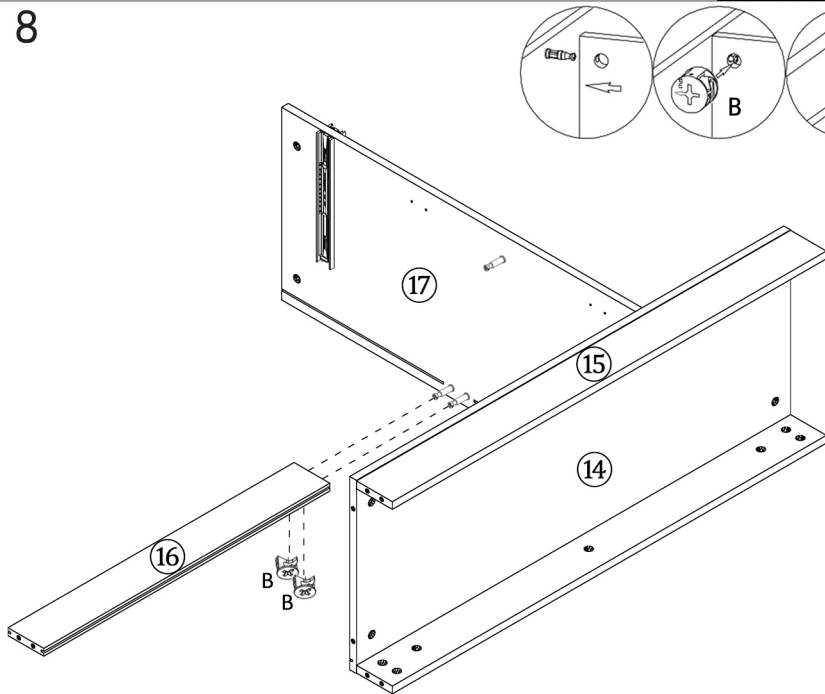
	B*6
--	-----

STEP 7



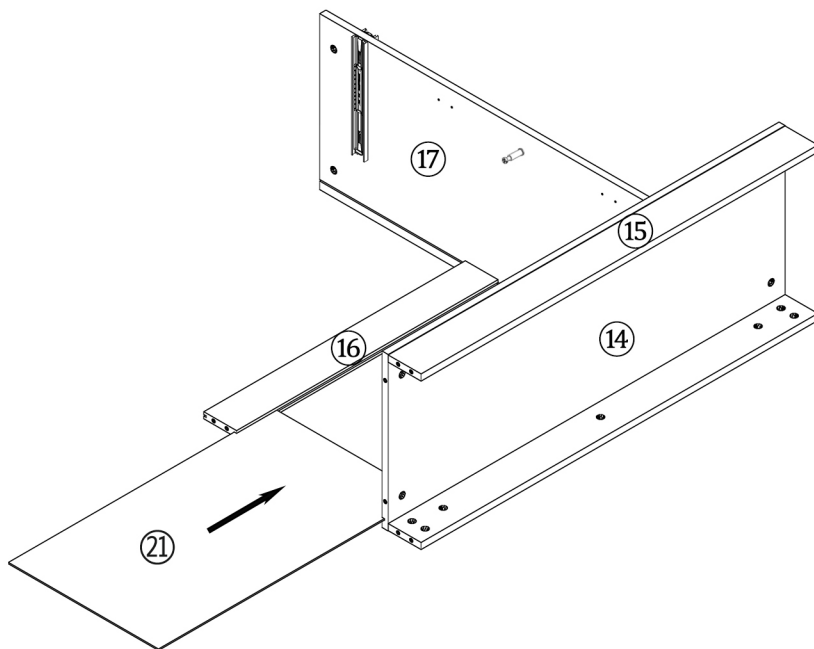
B*2

STEP 8

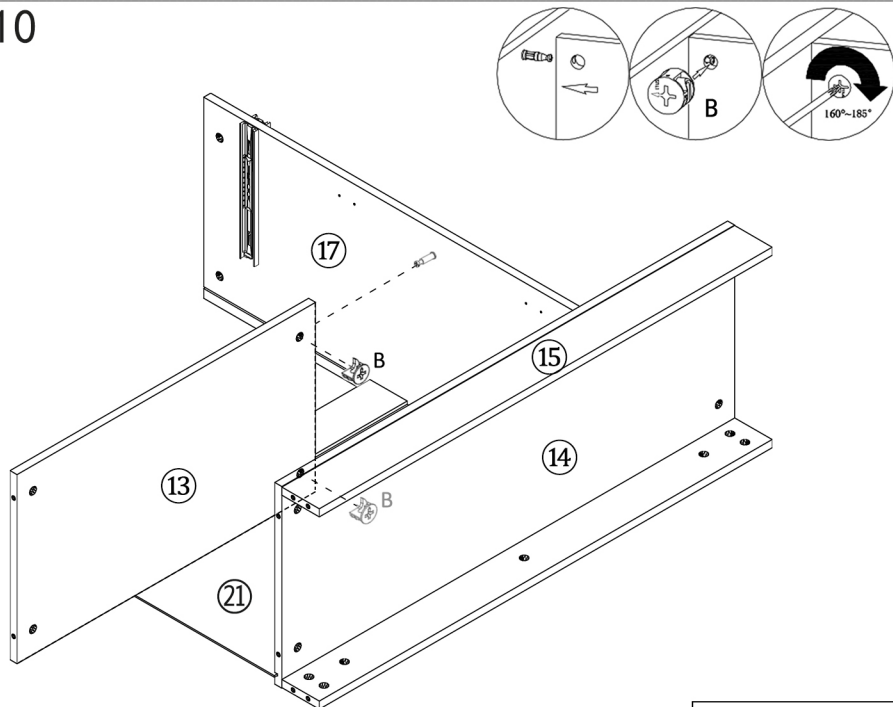


B*2

STEP 9

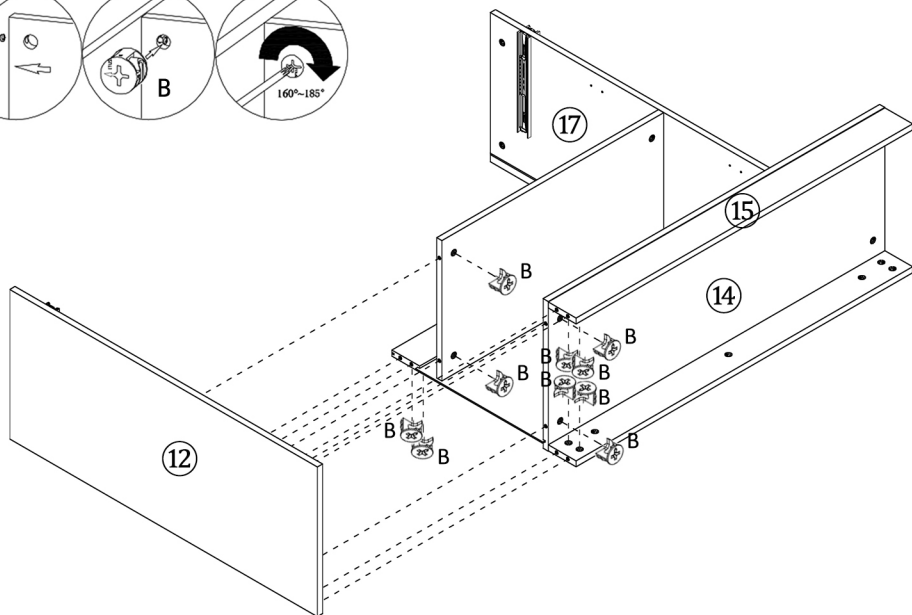
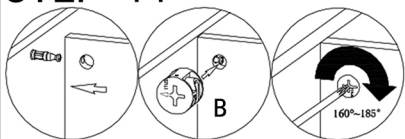


STEP 10



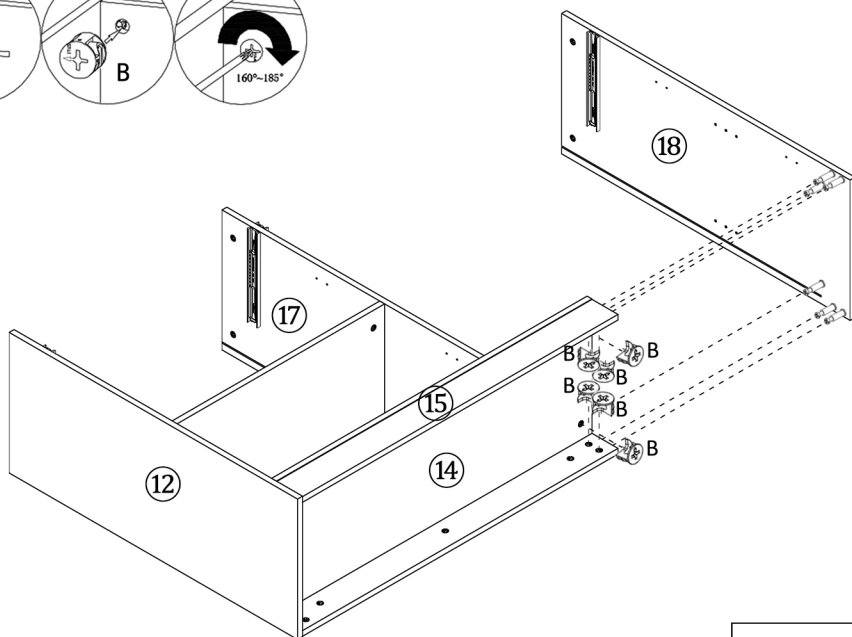
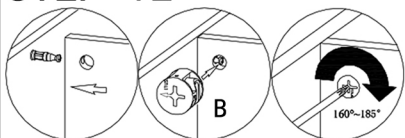
B*2

STEP 11



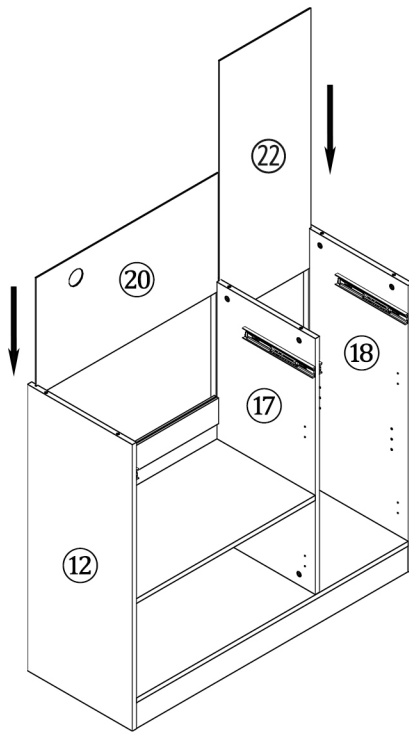
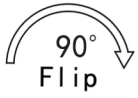
B*10

STEP 12

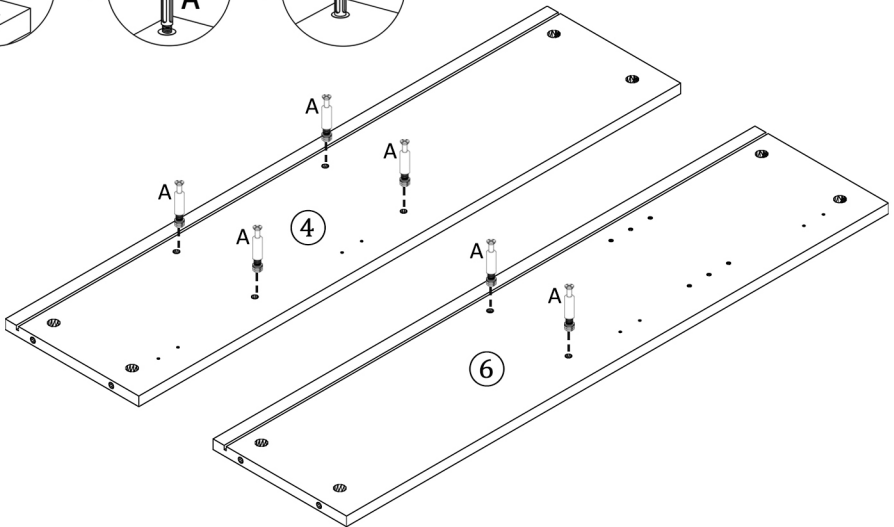
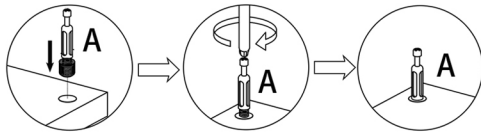


B*6

STEP 13

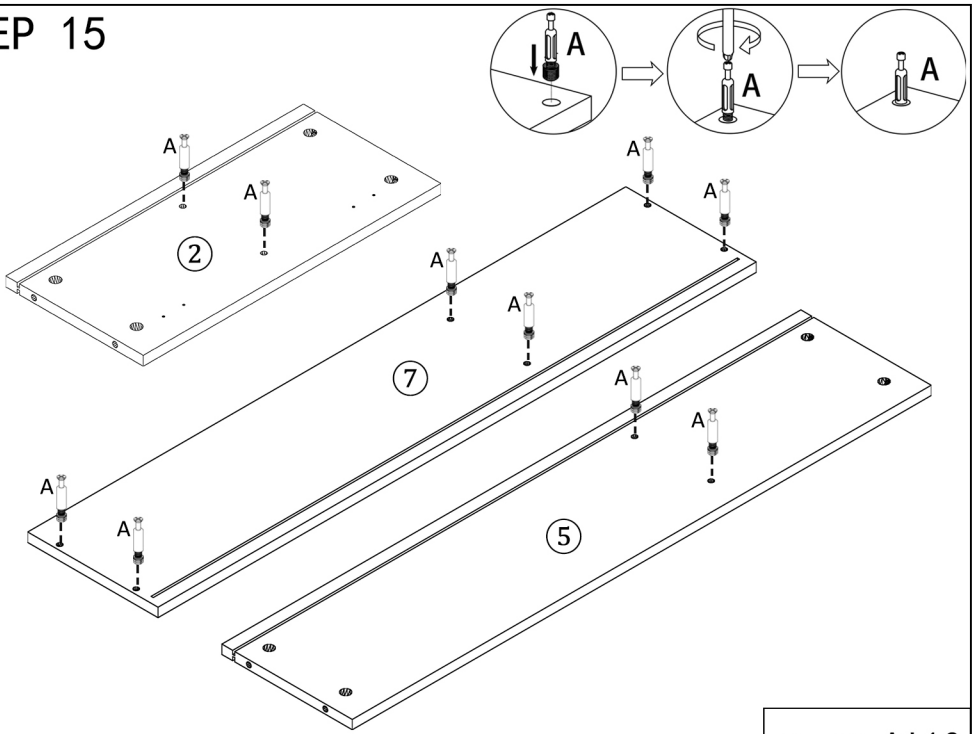


STEP 14

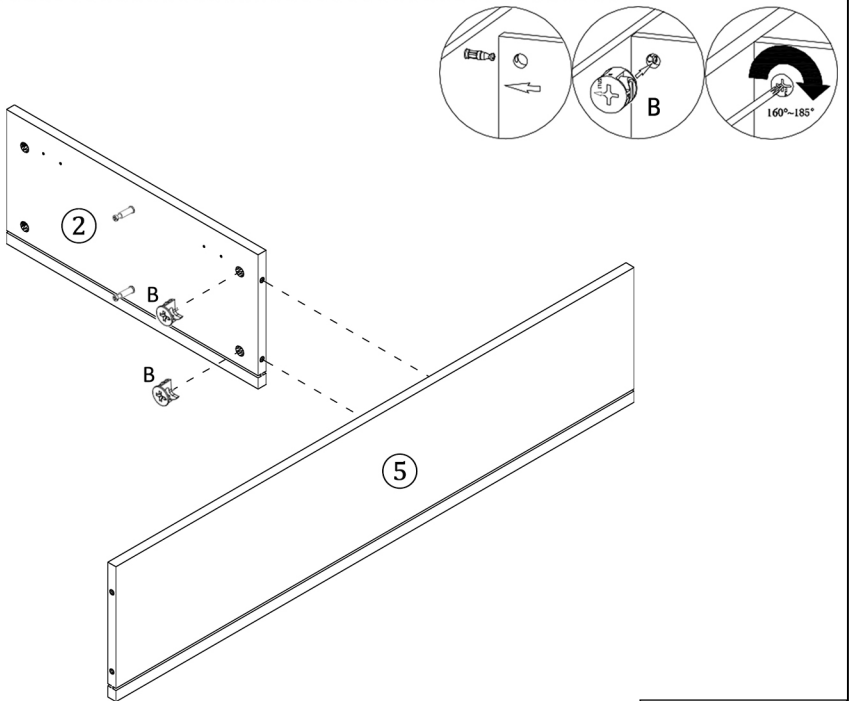
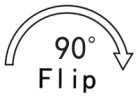


A*6

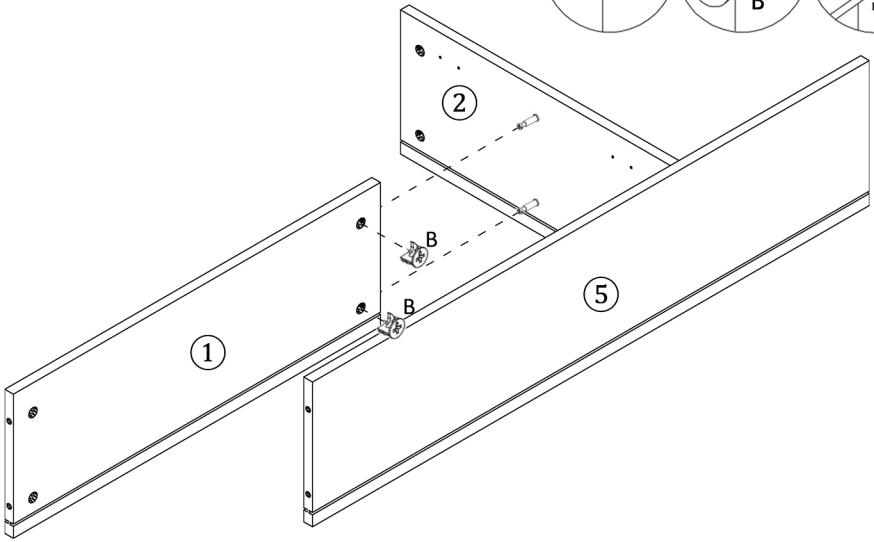
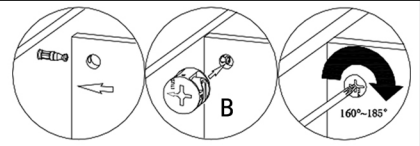
STEP 15



STEP 16

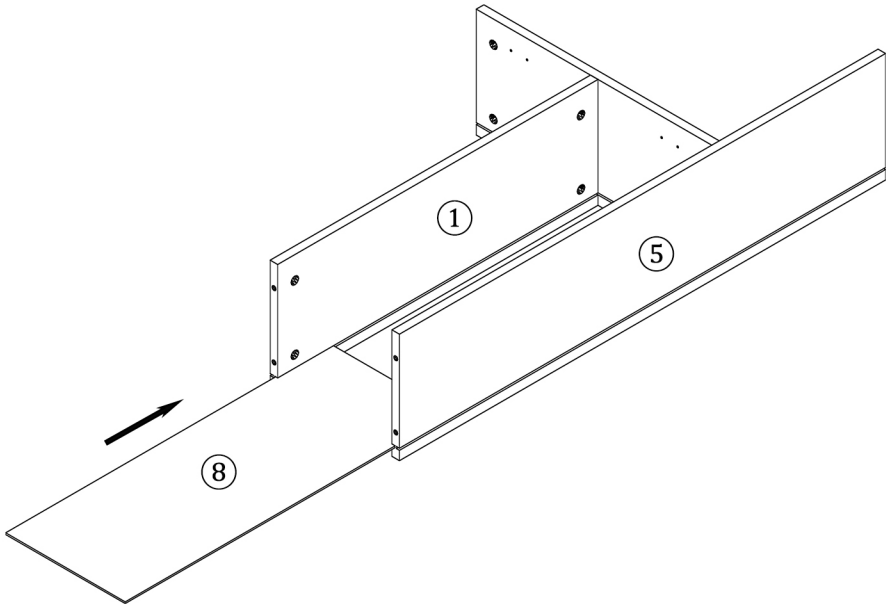


STEP 17

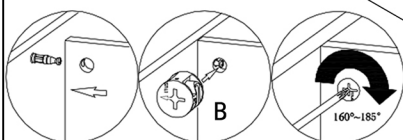
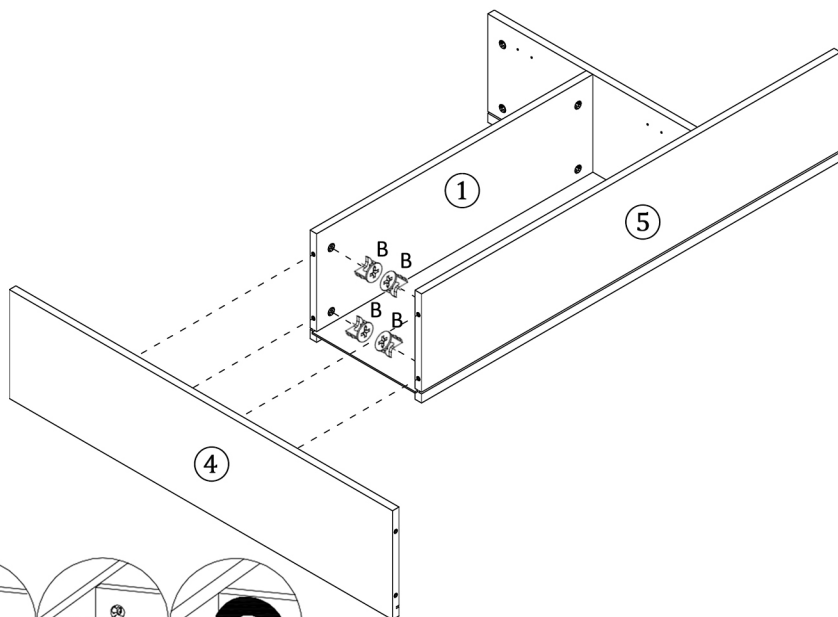


B*2

STEP 18

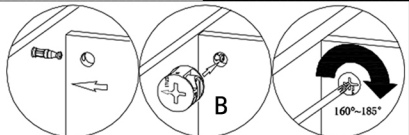
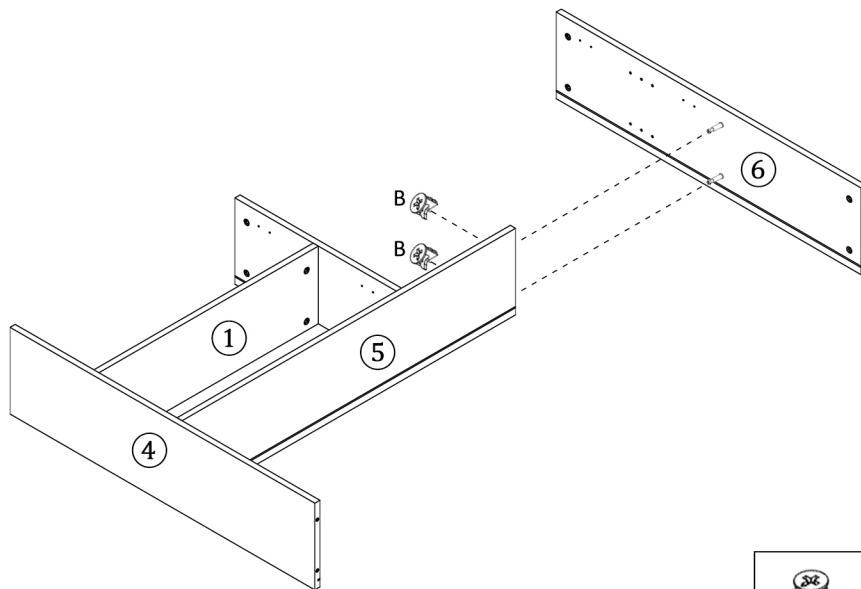


STEP 19



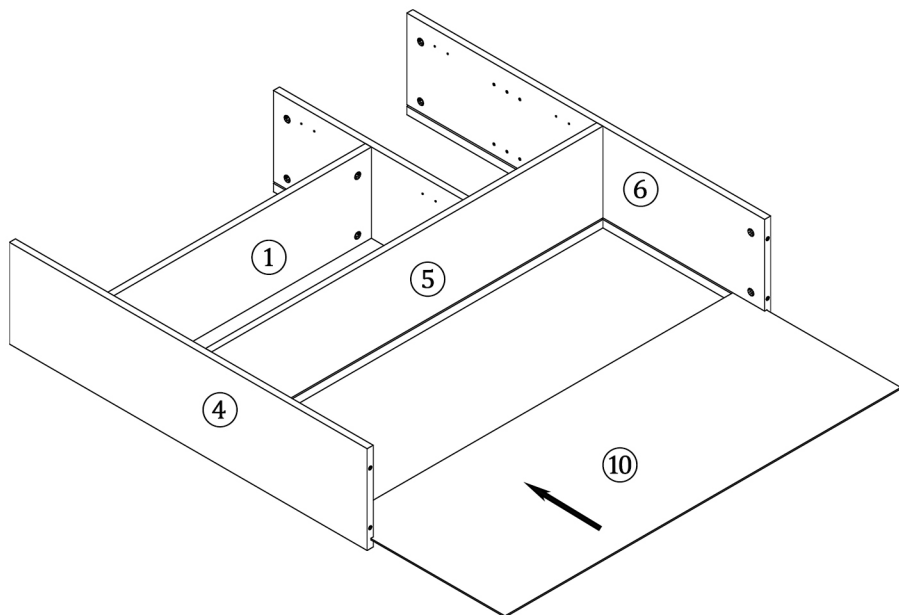
 **B*4**

STEP 20

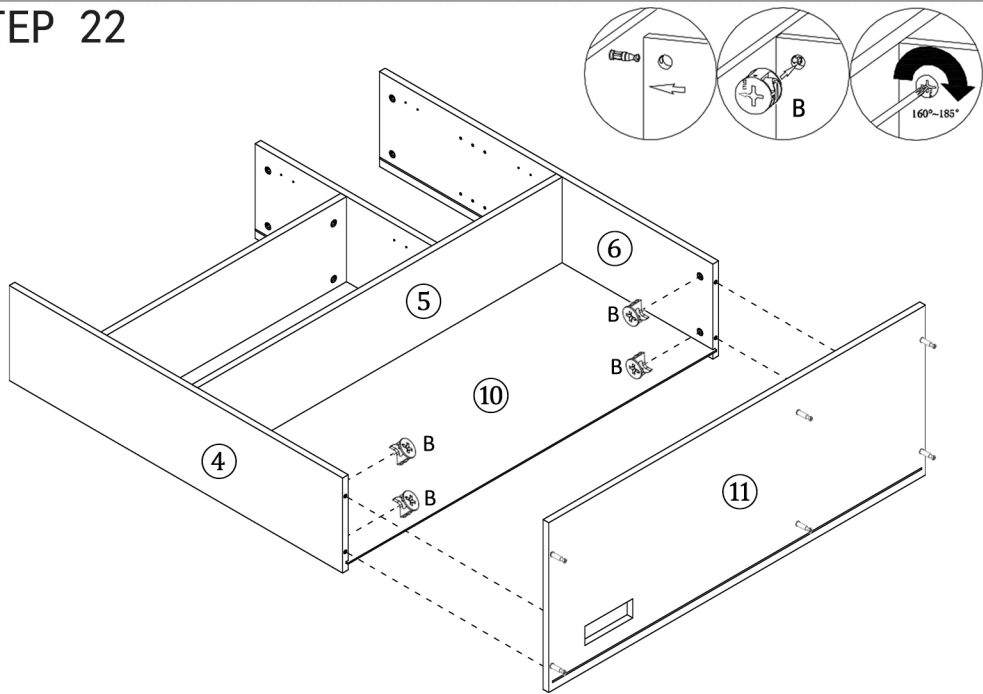


 **B*2**

STEP 21



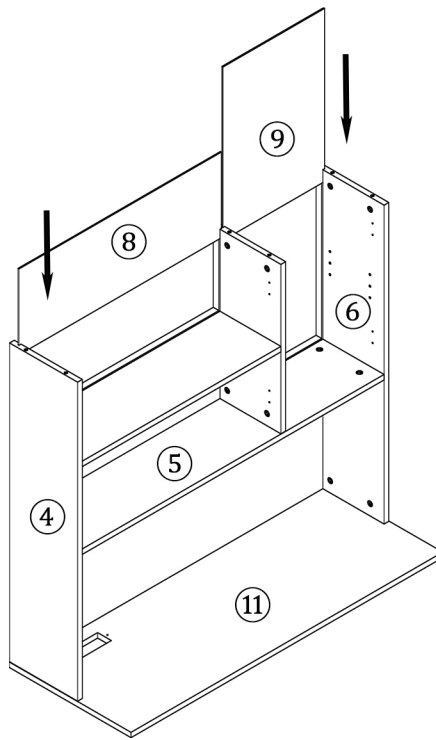
STEP 22



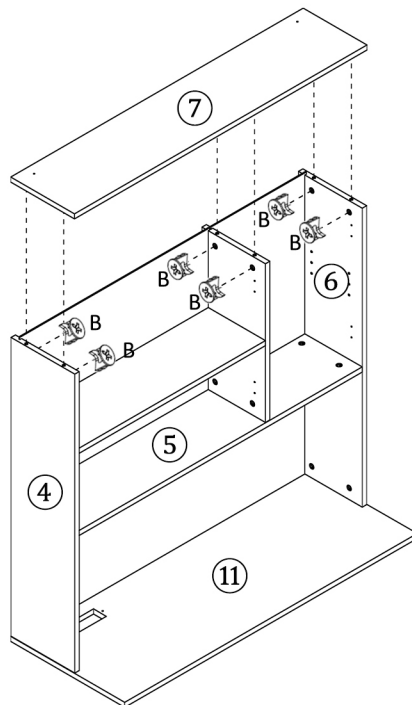
B*4

STEP 23

90°
Flip

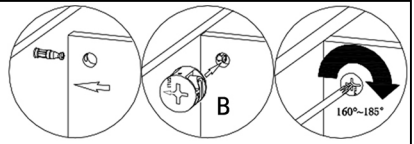
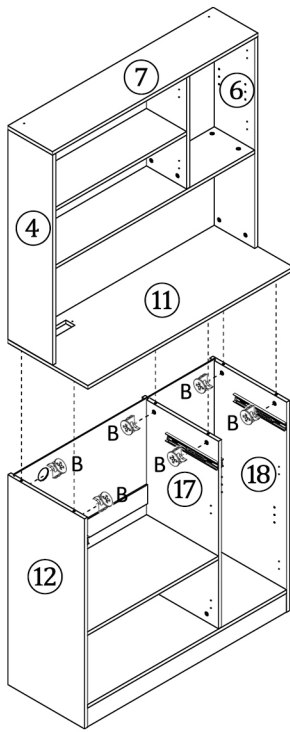


STEP 24



B*6

STEP 25

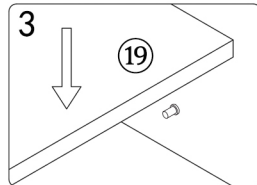
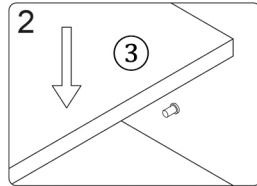
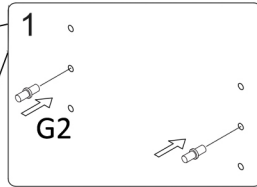
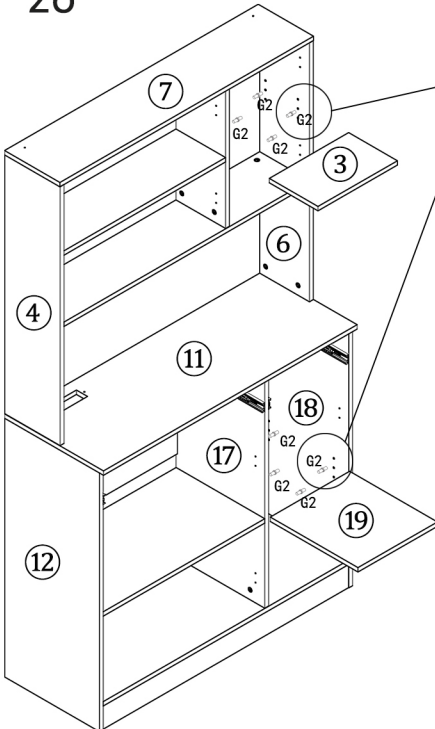


Kindly note: At least 2 people are required for assembly



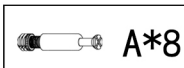
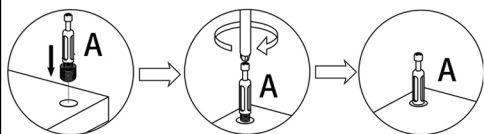
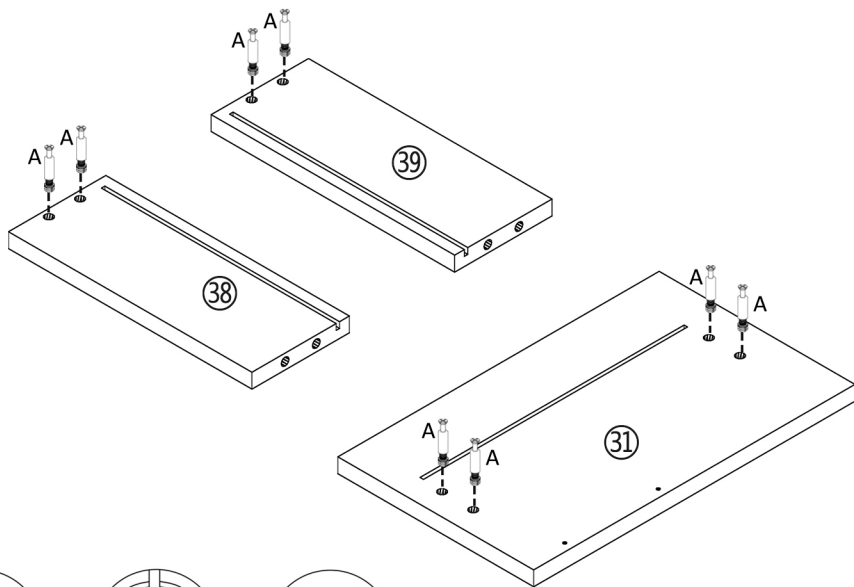
B*6

STEP 26

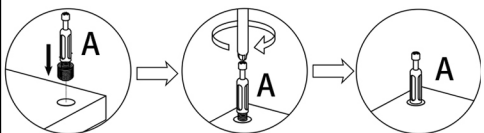
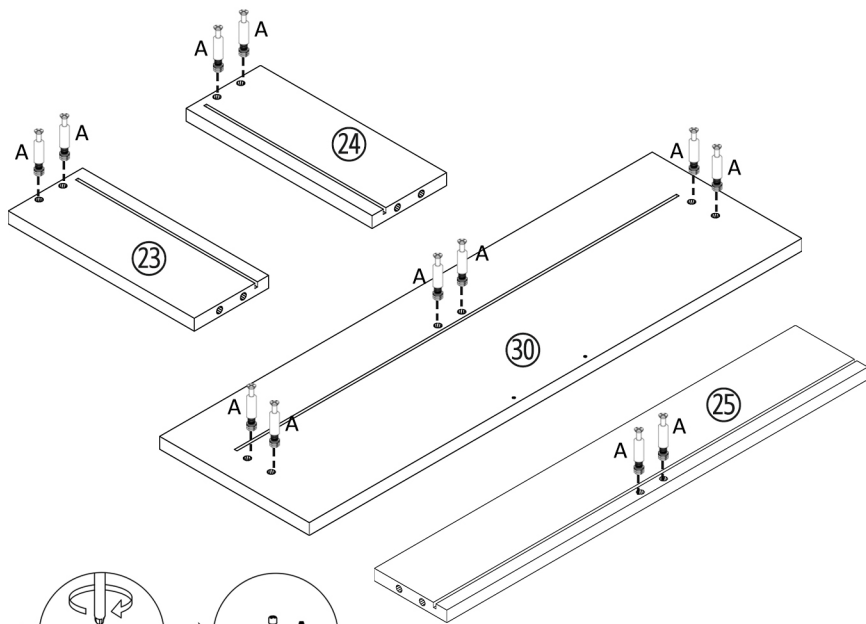


G2*8

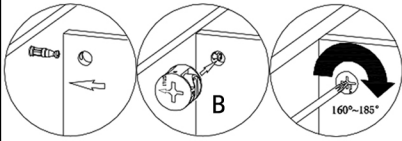
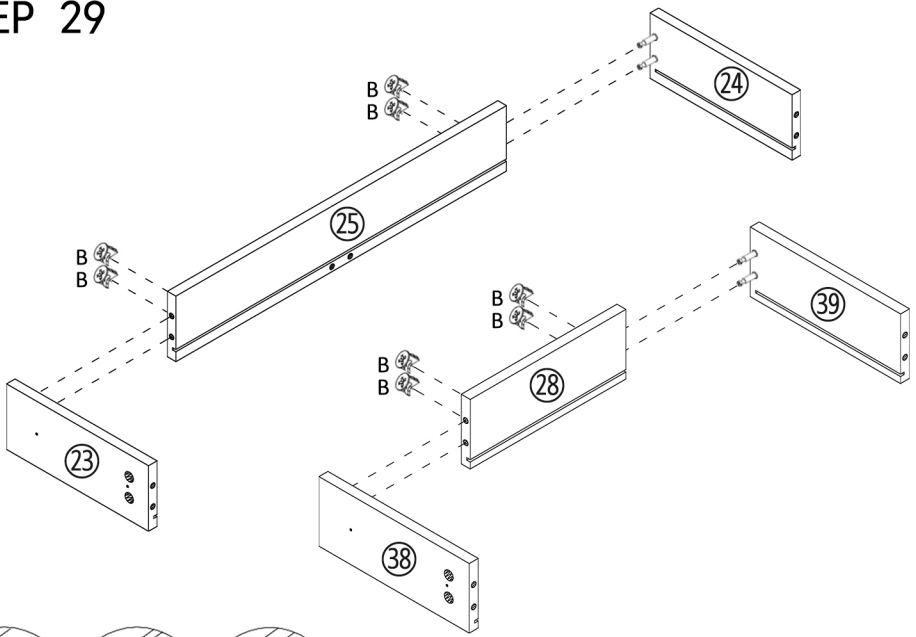
STEP 27



STEP 28

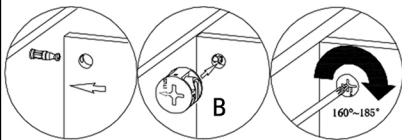
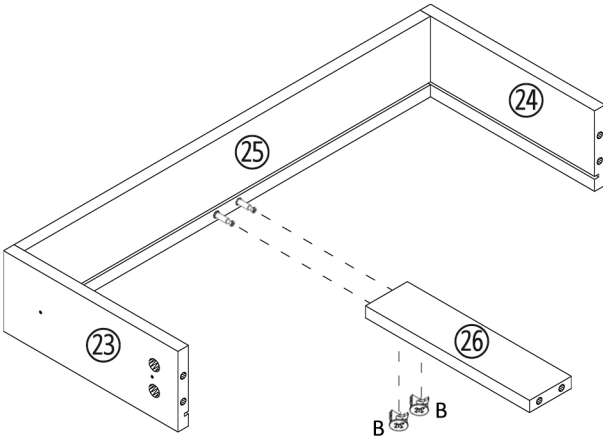


STEP 29



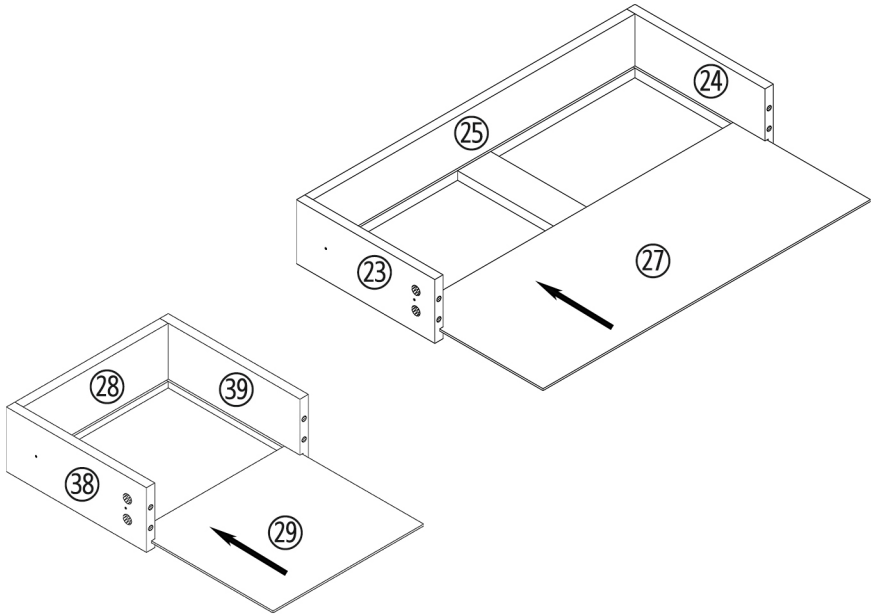
 B*8

STEP 30

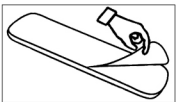
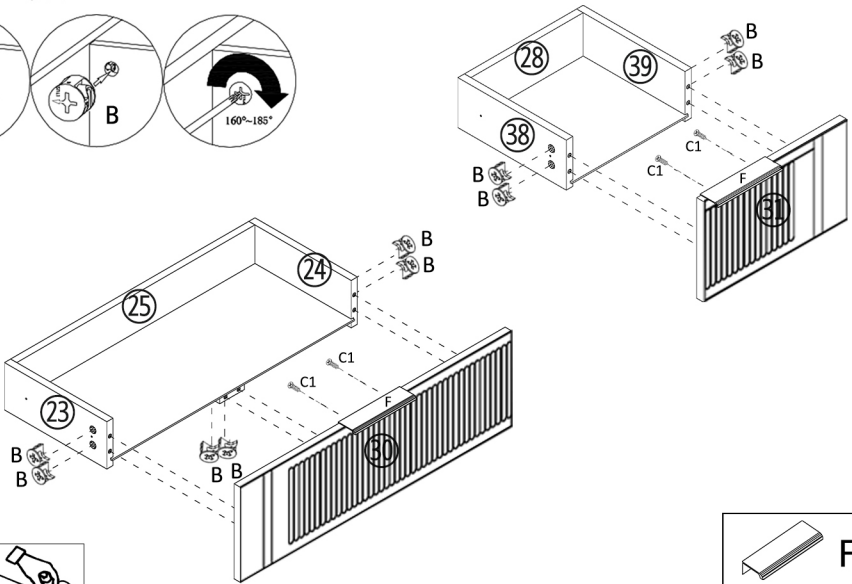
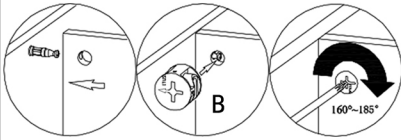


 B*2

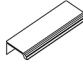
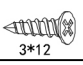

STEP 31



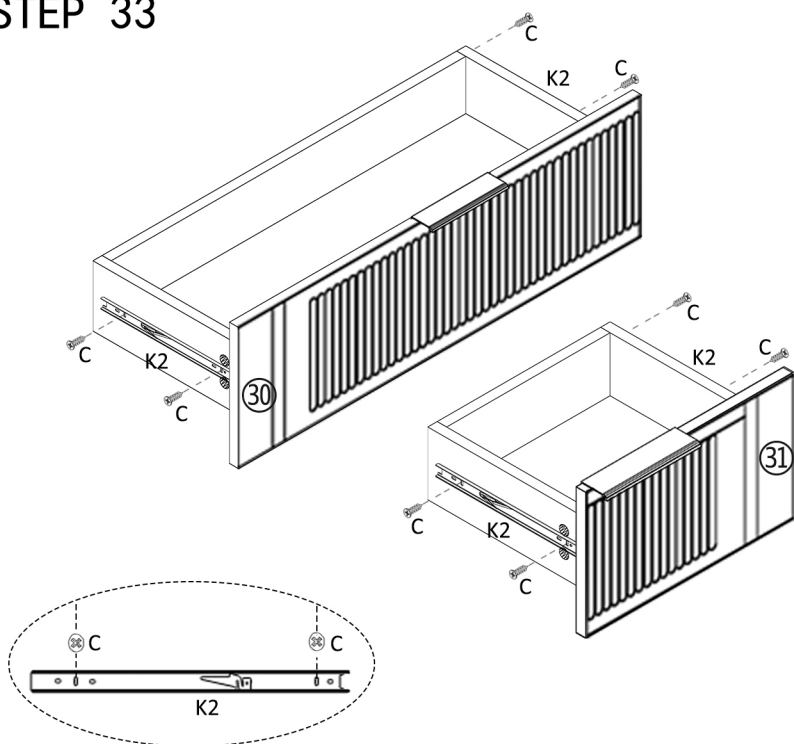
STEP 32





For high gloss panels, peel the plastic film after assembly and then assemble the handle

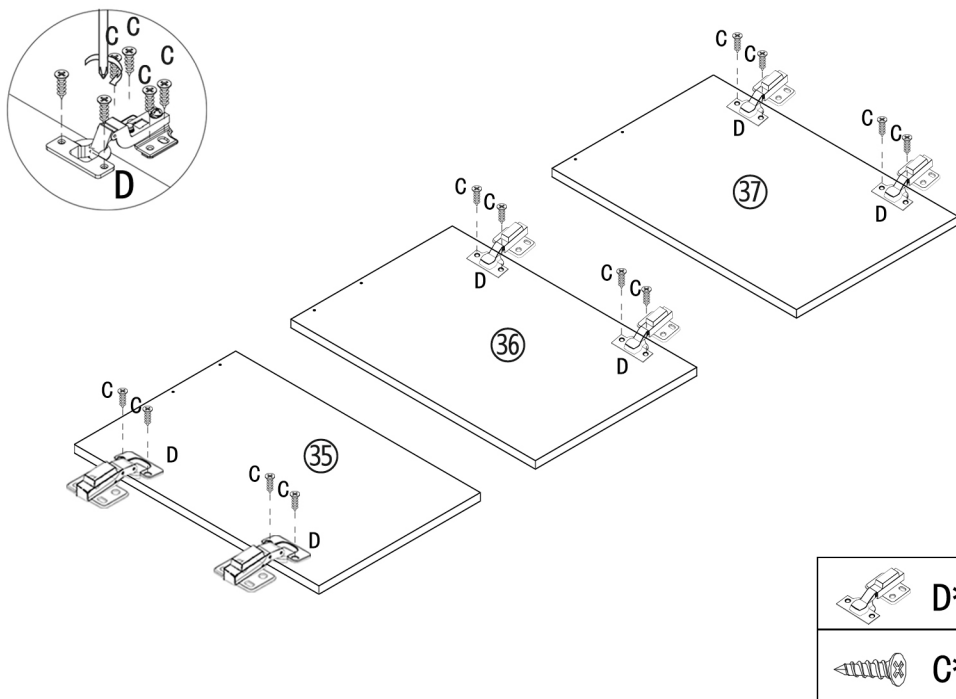
	F*2
	C1*4 3*12
	B*10



STEP 33



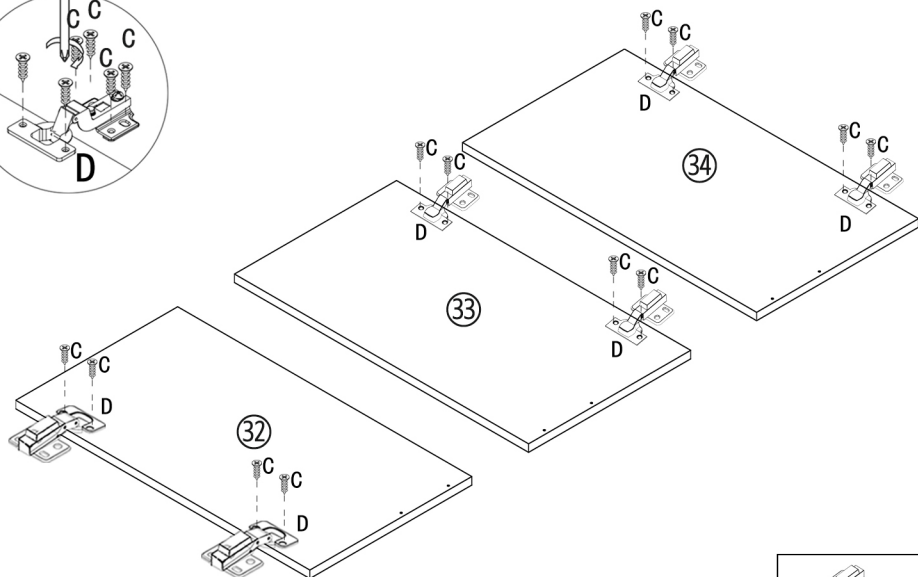
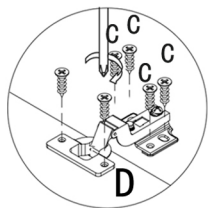
- | | |
|---|-------------|
|  | C*8 |
|  | K2*4 |

STEP 34



- | | |
|---|-------------|
|  | D*6 |
|  | C*12 |

STEP 35



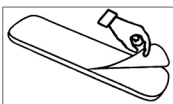
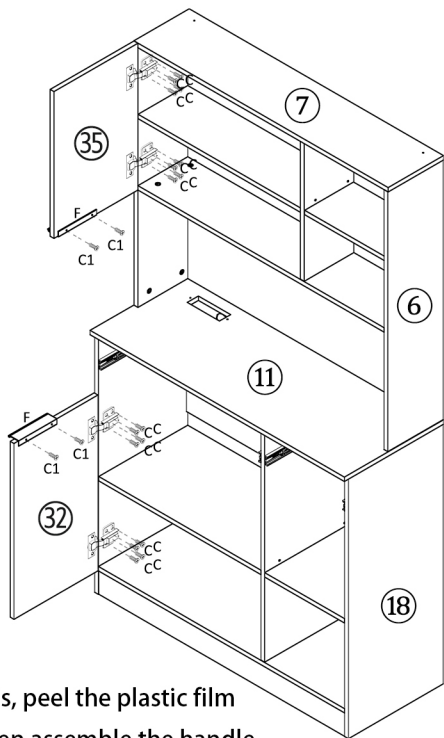
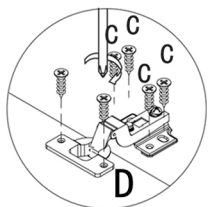
D*6



C*12

3.5*14

STEP 36



F*2



C1*4

3*12

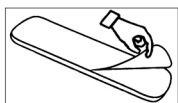
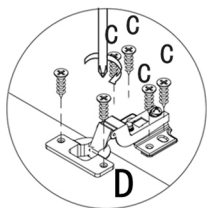


C*16

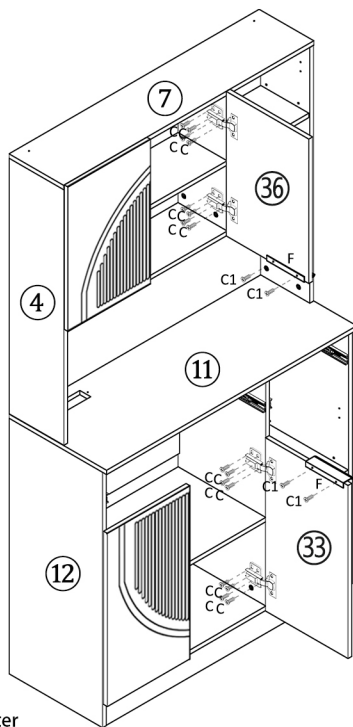
3.5*14

For high gloss panels, peel the plastic film after assembly and then assemble the handle

STEP 37

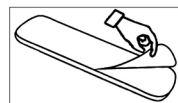
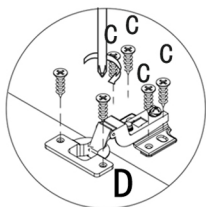


For high gloss panels, peel the plastic film after assembly and then assemble the handle

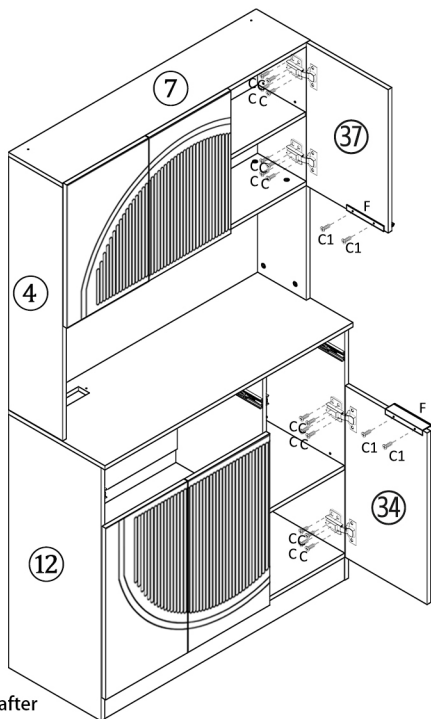


	F*2
	C1*4 3*12
	C*16 3.5*14

STEP 38



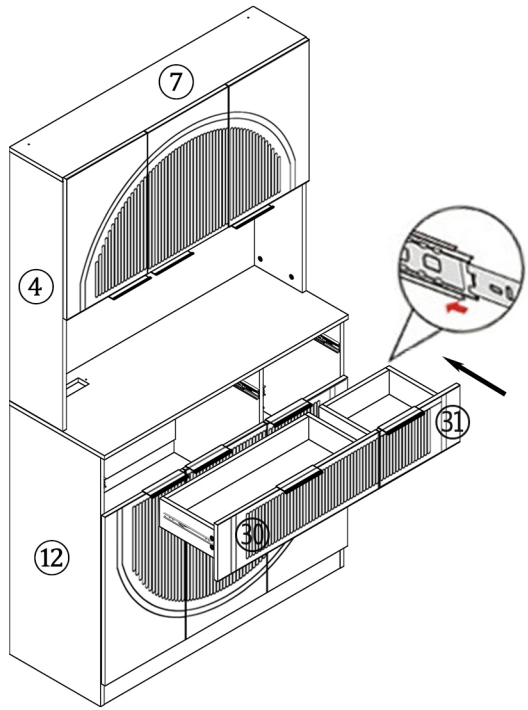
For high gloss panels, peel the plastic film after assembly and then assemble the handle



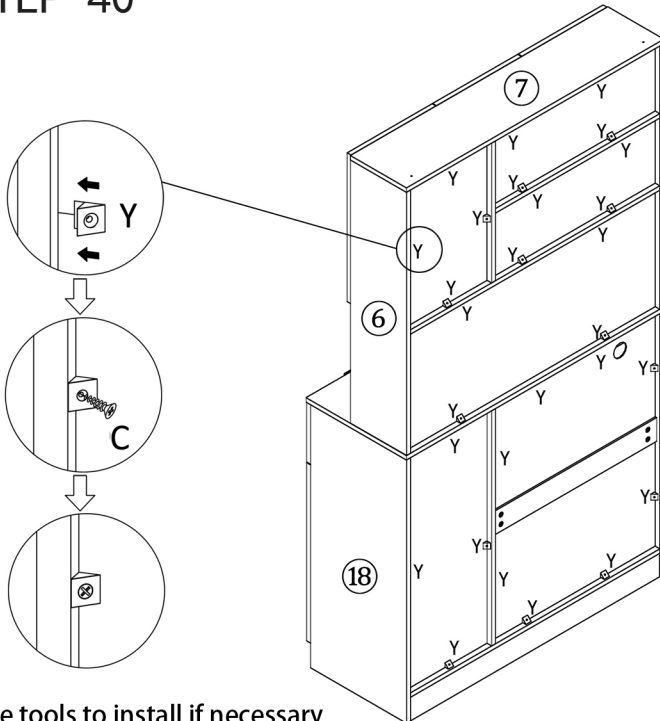
	F*2
	C1*4 3*12
	C*16 3.5*14

STEP 39

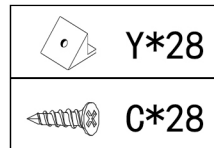
Note: When assembling the inner slide rail, it is necessary to place the inner slide rail on the steel ball component first, and push the inner rail parallel to the outer rail together. Direct violence will lead to the falling off or deformation of the rail steel ball.



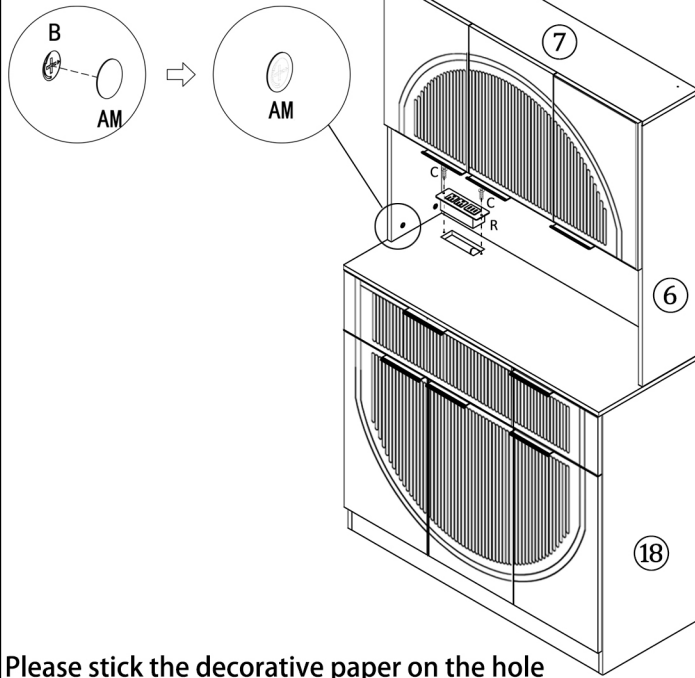
STEP 40






Use tools to install if necessary



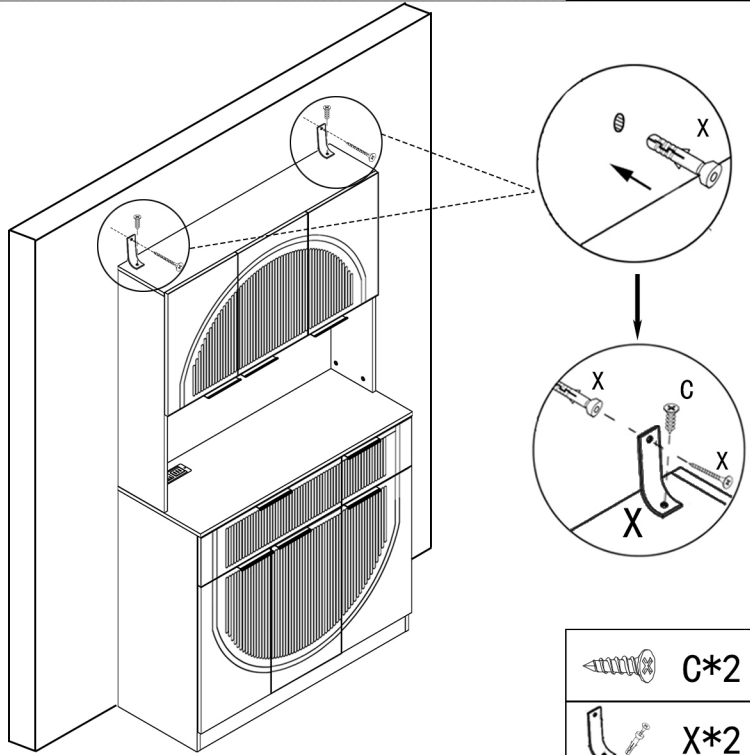
STEP 41





Please stick the decorative paper on the hole

	C*2
	R*1
	AM*26 Decorative paper

STEP 42



	C*2
	X*2