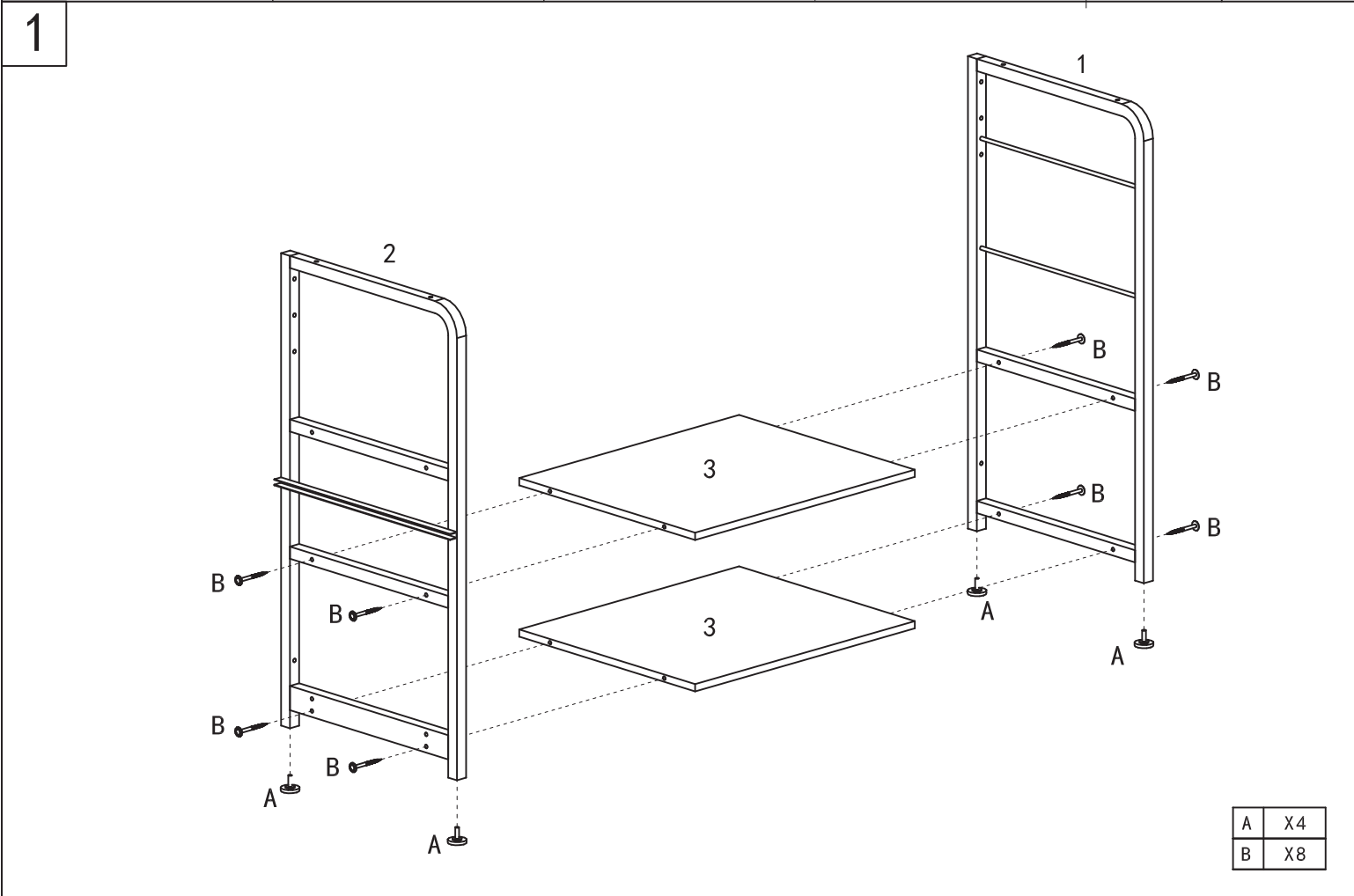
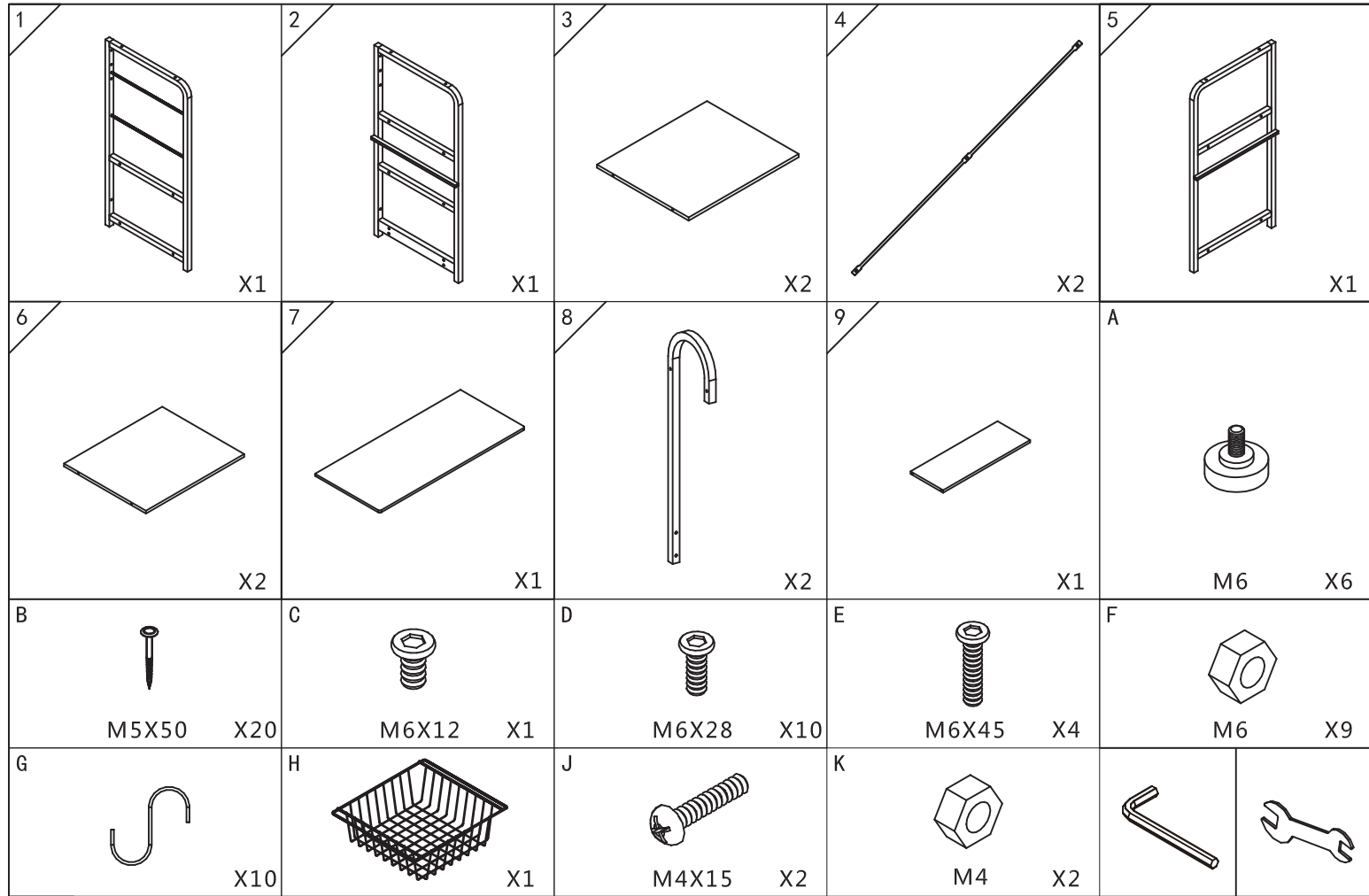
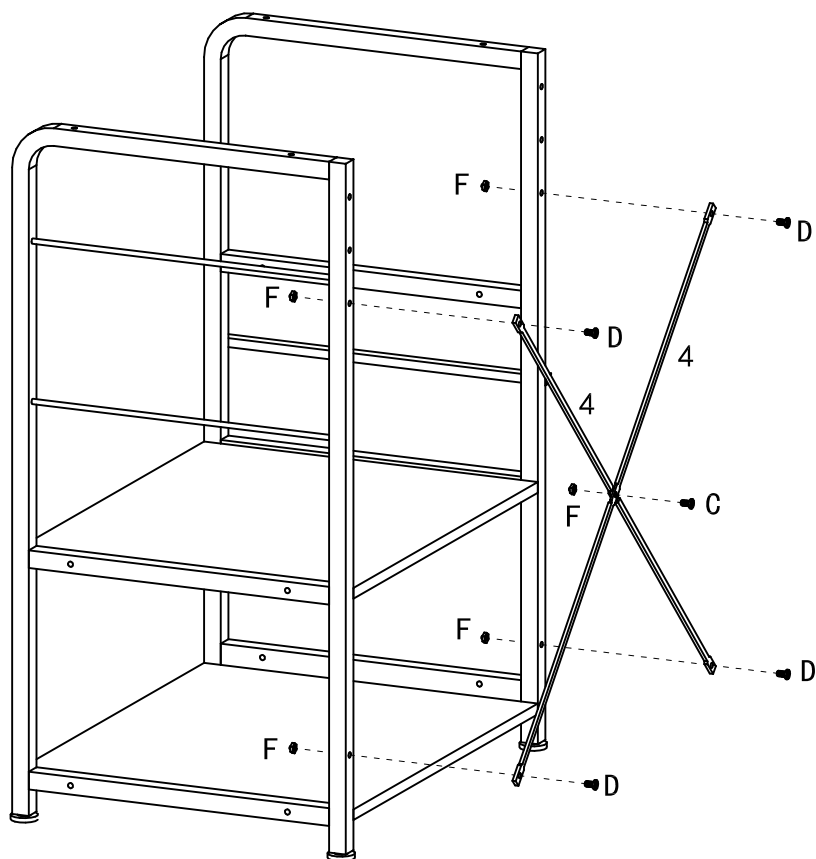


Assembling Instruction

Attention: Do not tighten the screws until all of them are in right positions

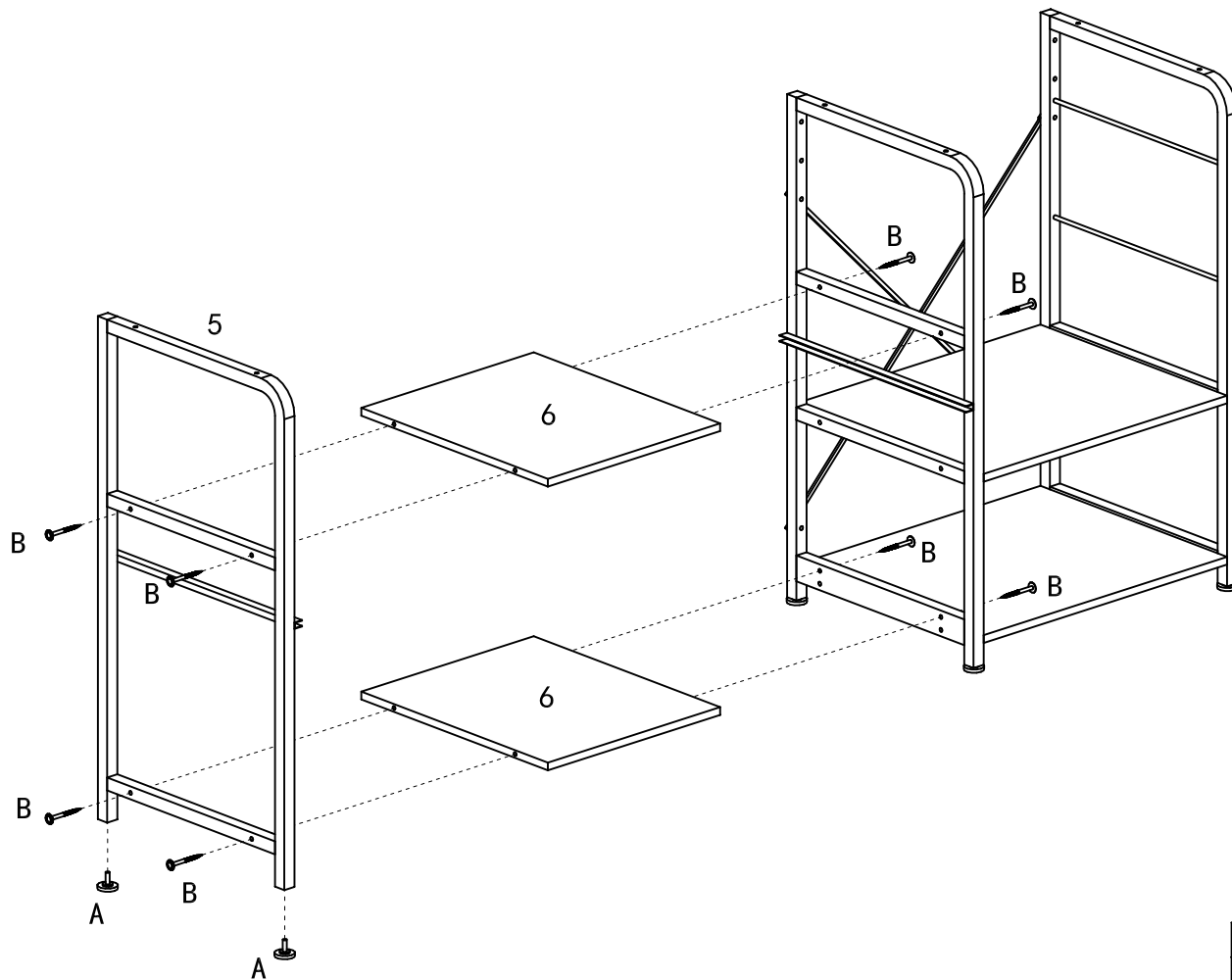


2



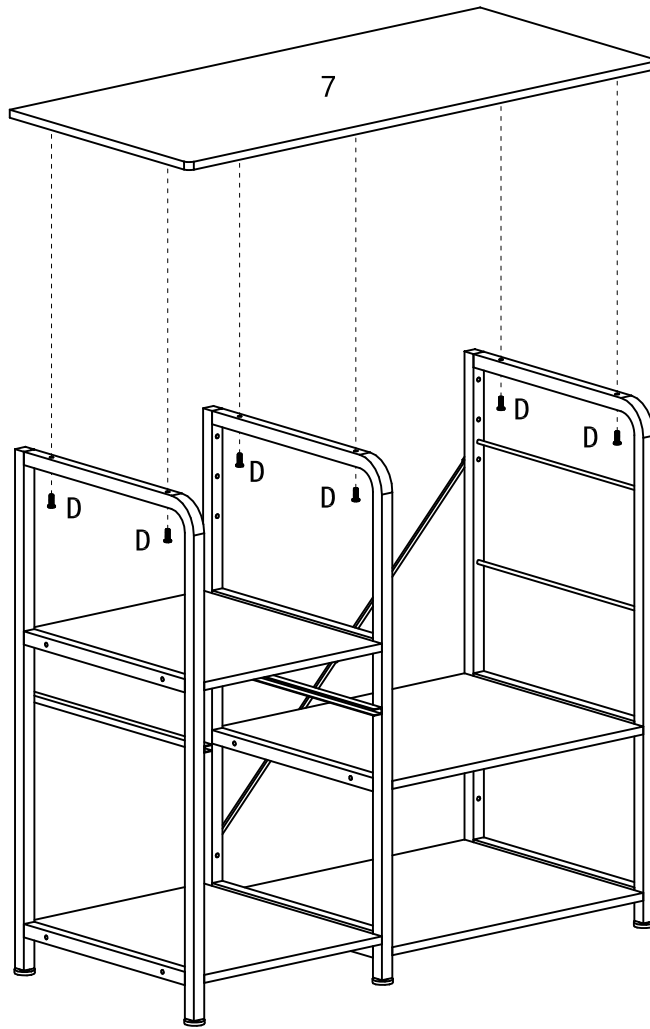
C	X1
D	X4
F	X5

3



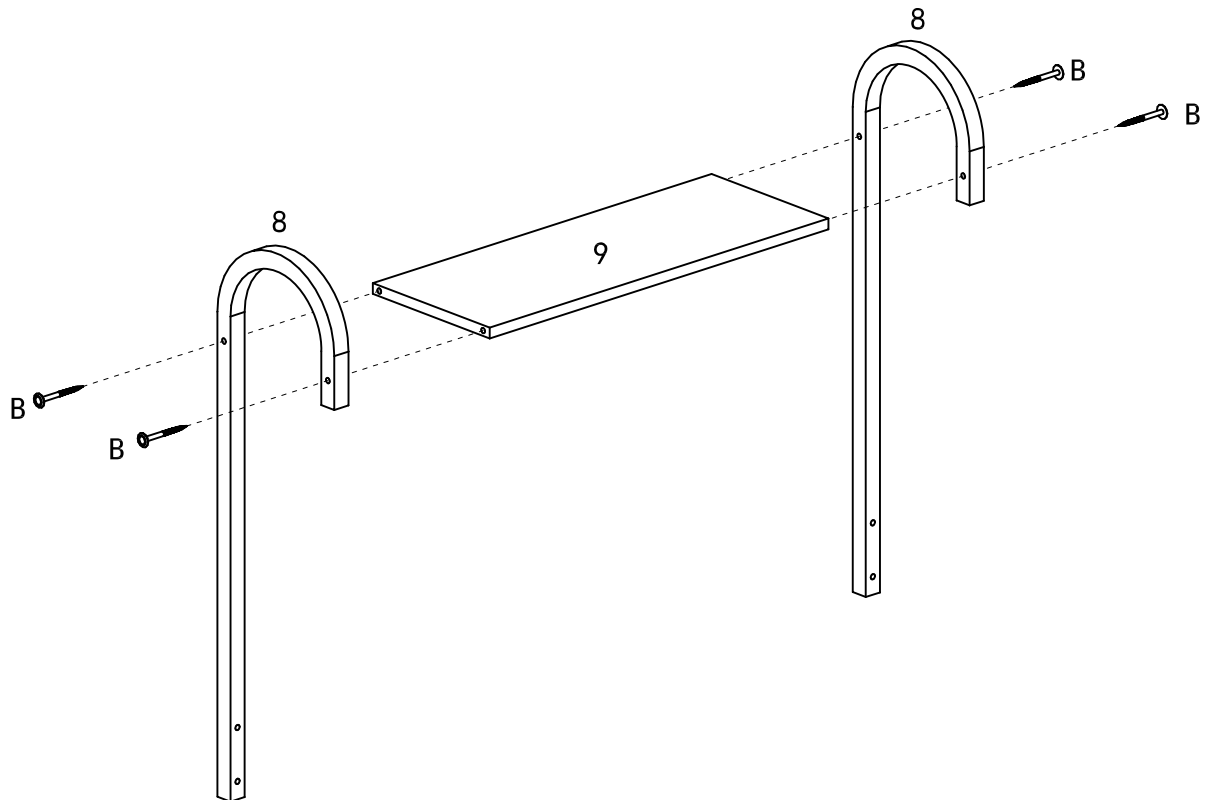
A	X2
B	X8

4



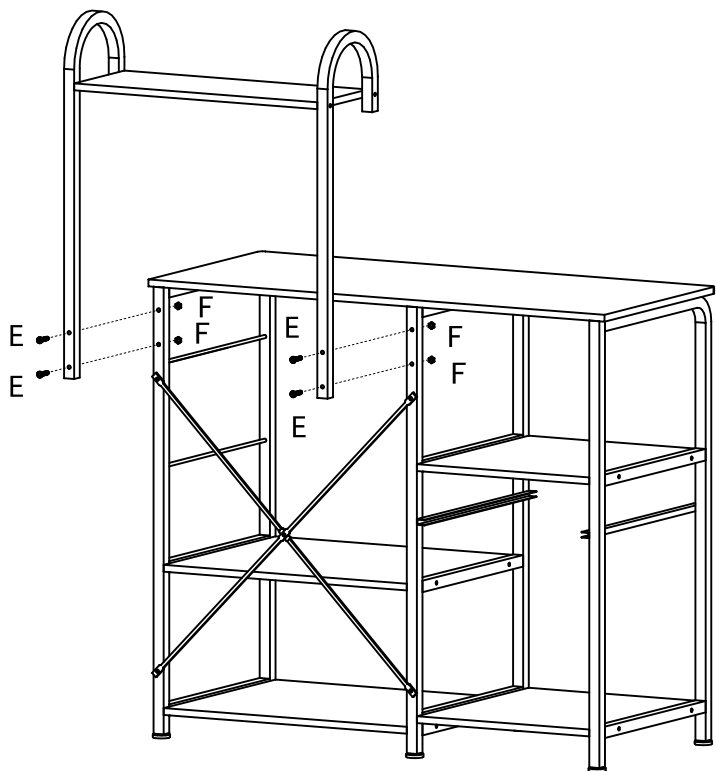
D X6

5



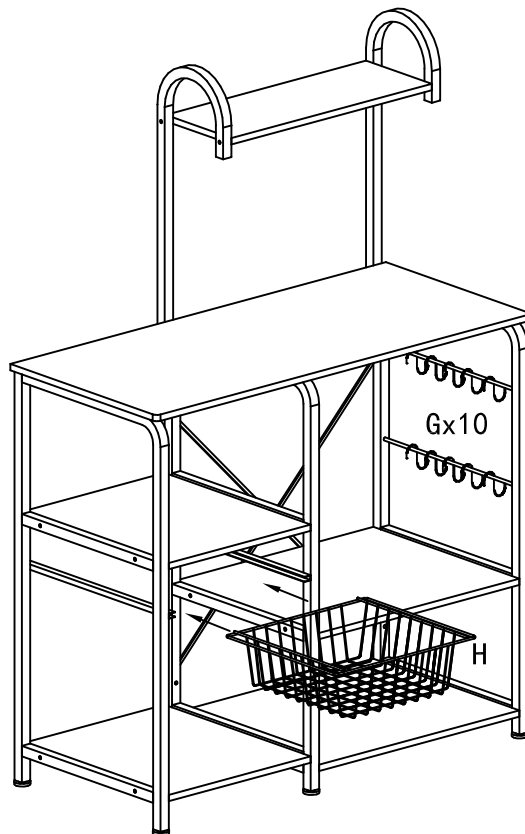
B X4

6



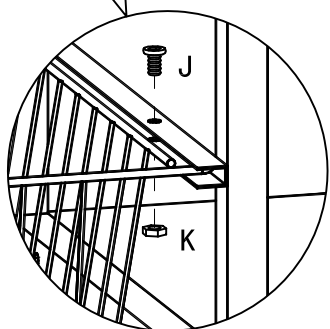
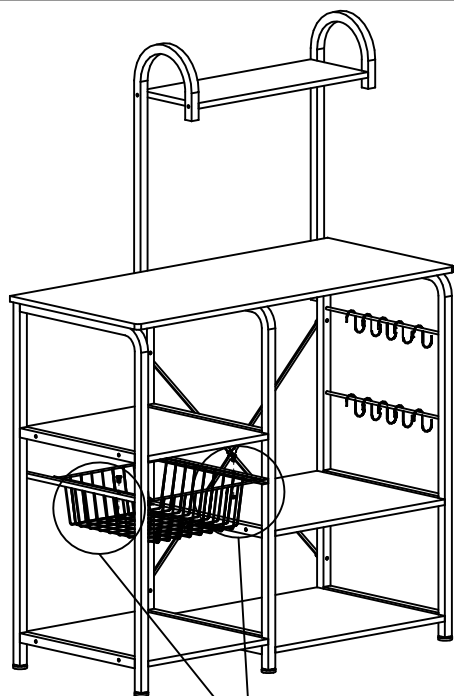
E	X4
F	X4

7



G	X10
H	X1

8



J	X2
K	X2

