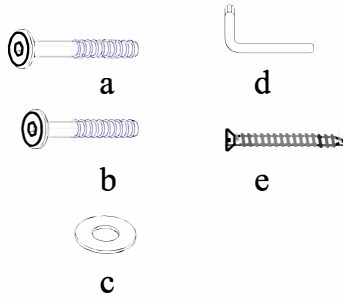


MINI DESK

Assembly Instructions

A . Components :

- | | |
|--------------|-----|
| 1. Top Desk | 1 x |
| 2. Legs | 2 x |
| 3. Stretcher | 1 x |

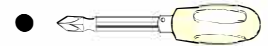


B . Hardware :

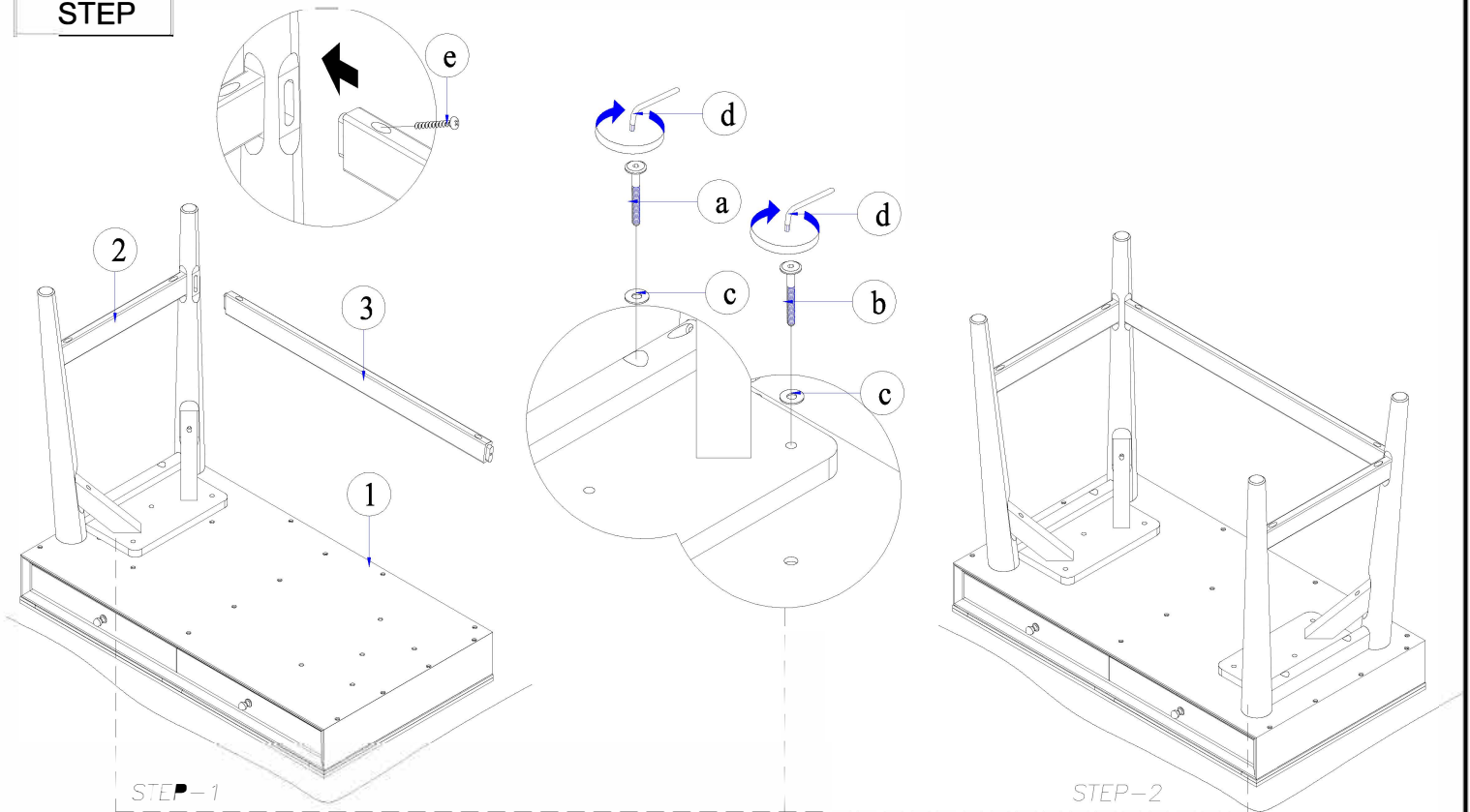
- | | |
|---------------------|------|
| a. Allen Bolt Long | 4 x |
| b. Allen Bolt Short | 6 x |
| c. Flat Washer | 10 x |
| d. Allen Key | 1 x |
| e. Screw | 2 x |

C . Tool Required :

1. Screw Driver = (not included)



STEP



FINISH

