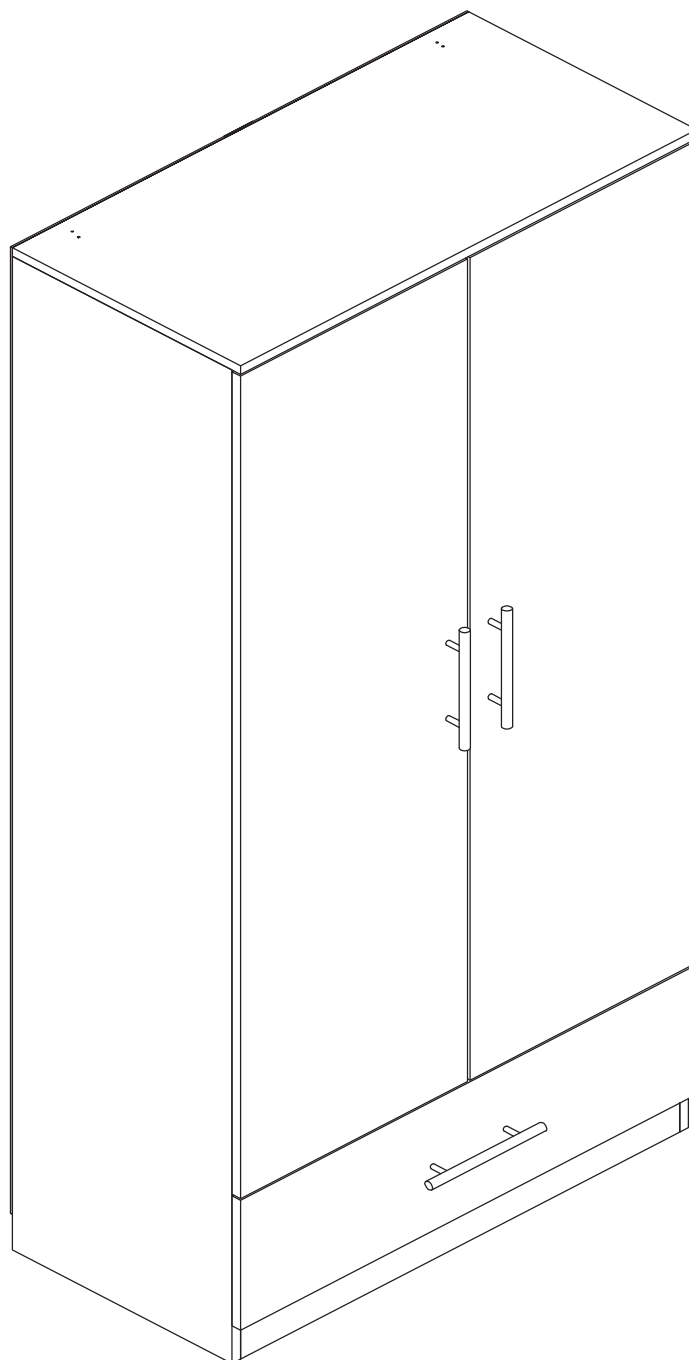
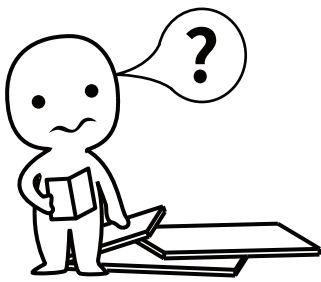


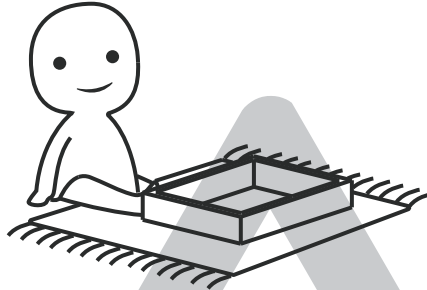
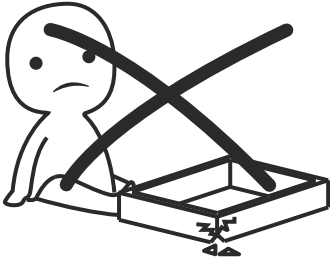
# Wardrobe





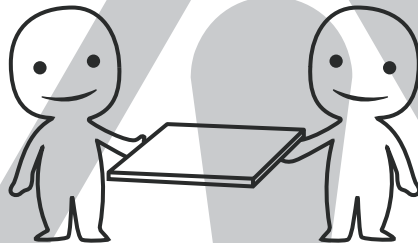
### **IMPORTANT INFORMATION!**

please read the entire manual before starting to assemble and/or using this product. follow the manual thoroughly and keep it for further reference.



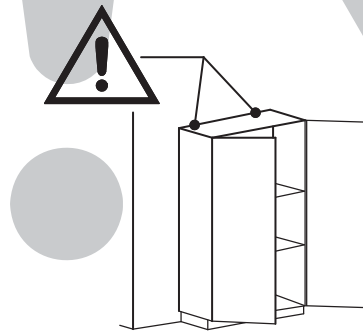
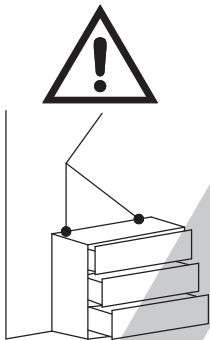
### **AVOID SCRATCHES!**

In order to avoid scratching this furniture should be assembled on a soft layer- could be a rug.



### **IMPROVE EFFICIENCY !**

Try to find a partner to install with you, which can speed up the installation efficiency and shorten the time.



### **ANTI-TOPPLE WARNING !**

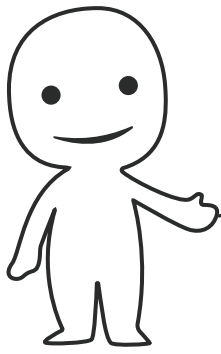
Overturnd furniture can cause serious or fatal crush injuries. To prevent tipping over, be sure to use the wall attachment, if not included with this product. Please purchase the wall attachment that fit your wall. If unsure, seek professional advice. Please read and follow each step of the instructions carefully.

### **IMPORTANT !**

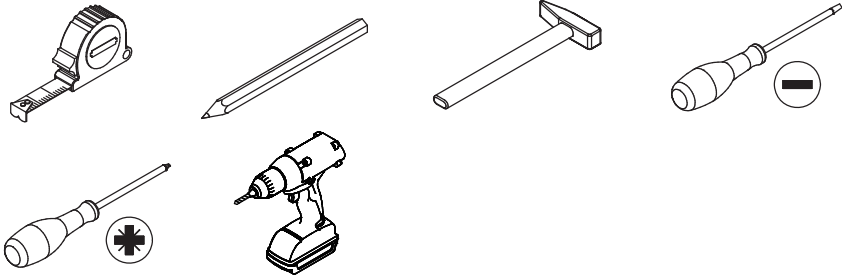
It is important that any product which is assembled using any kind of screw is re-tightened 2 weeks after assembly, and once every 3 months - in order to assure stability through-out the lifespan of the product.

For regular maintenance and cleaning of the product, for the frame, please use a rag dipped in neutral detergent to fully wipe it, and then dry it with a clean rag. For glass materials, wipe with a rag dampened with water glass cleaner, and then dry with a dry rag.

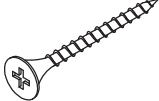
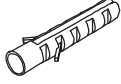
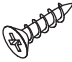
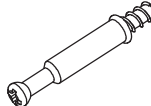
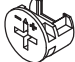


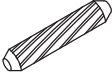

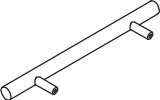

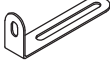
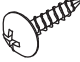
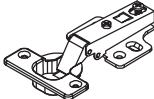
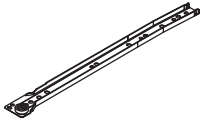
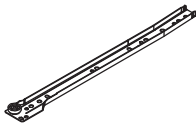
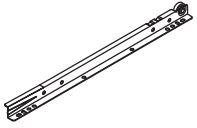
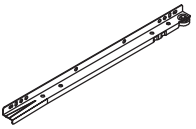
Do not use an electric screwdriver, and do not use too much force when installing, because the board is easy to break.

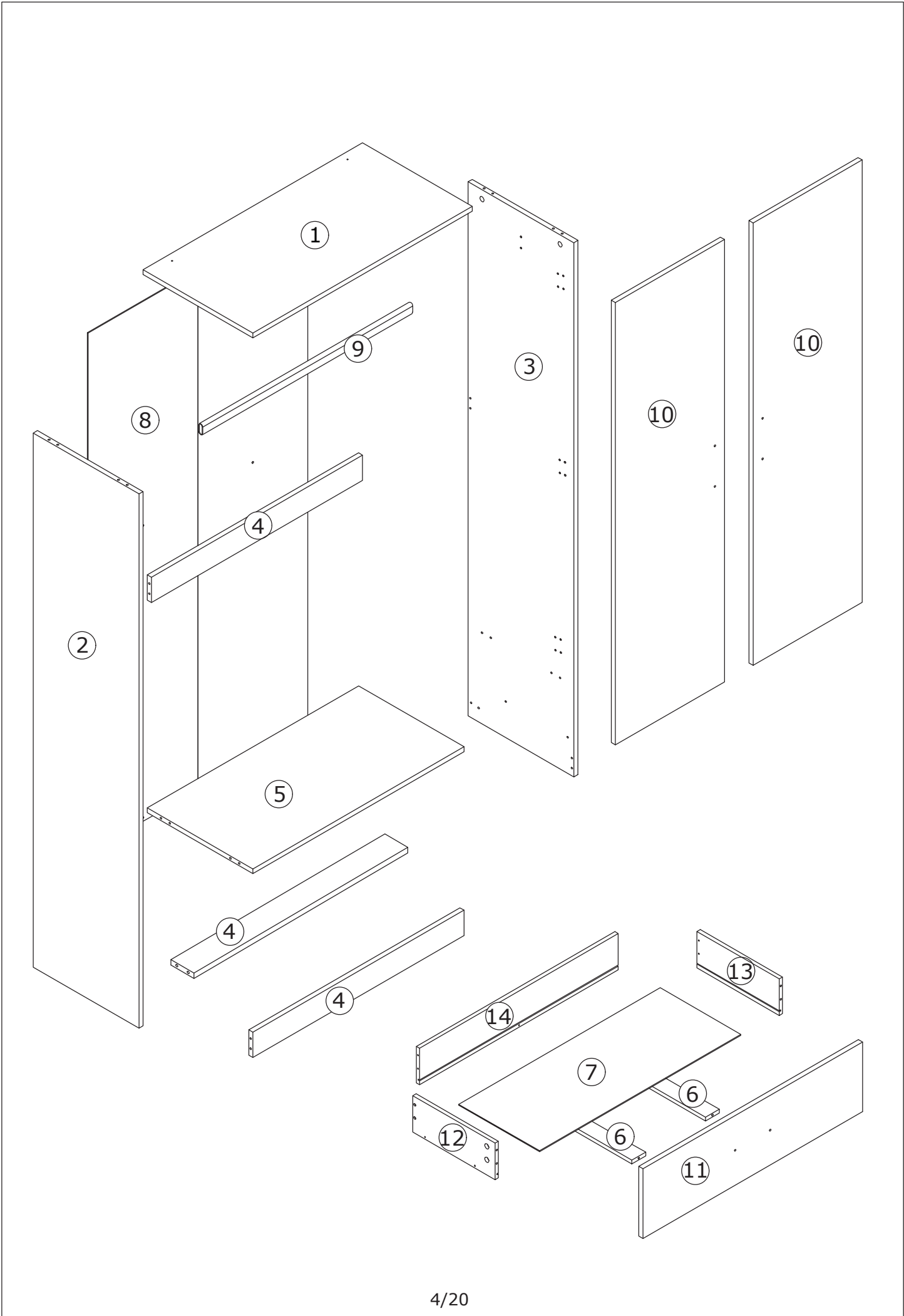


Please prepare the following tools





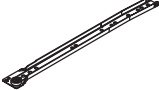

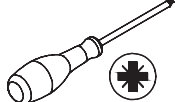


When installing, please carefully confirm whether each screw corresponds to the manual, accessories with similar shapes can be distinguished by size

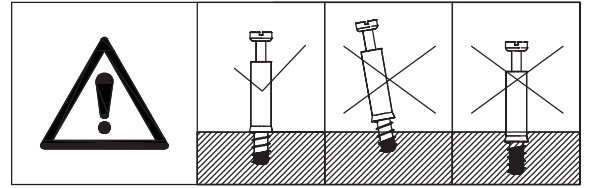
A x 8  Ø4 x 35 mm	B x 2  Ø6 x 30 mm	C x 8  Ø3.5 x 12 mm	D x 20  Ø7 x 35 mm	E x 20  Ø15 x 9 mm
F x 40  Ø4 x 14 mm	G x 2  	H x 14  Ø6 x 30 mm	J x 6  Ø4 x 22 mm	K x 3  
L x 28  Ø2.5 x 14 mm	M x 2  	N x 4  Ø4 x 12 mm	P x 6  	CL x 1  L 350 mm
CR x 1  L 350 mm	DL x 1  L 350 mm	DR x 1  L 350 mm		



1

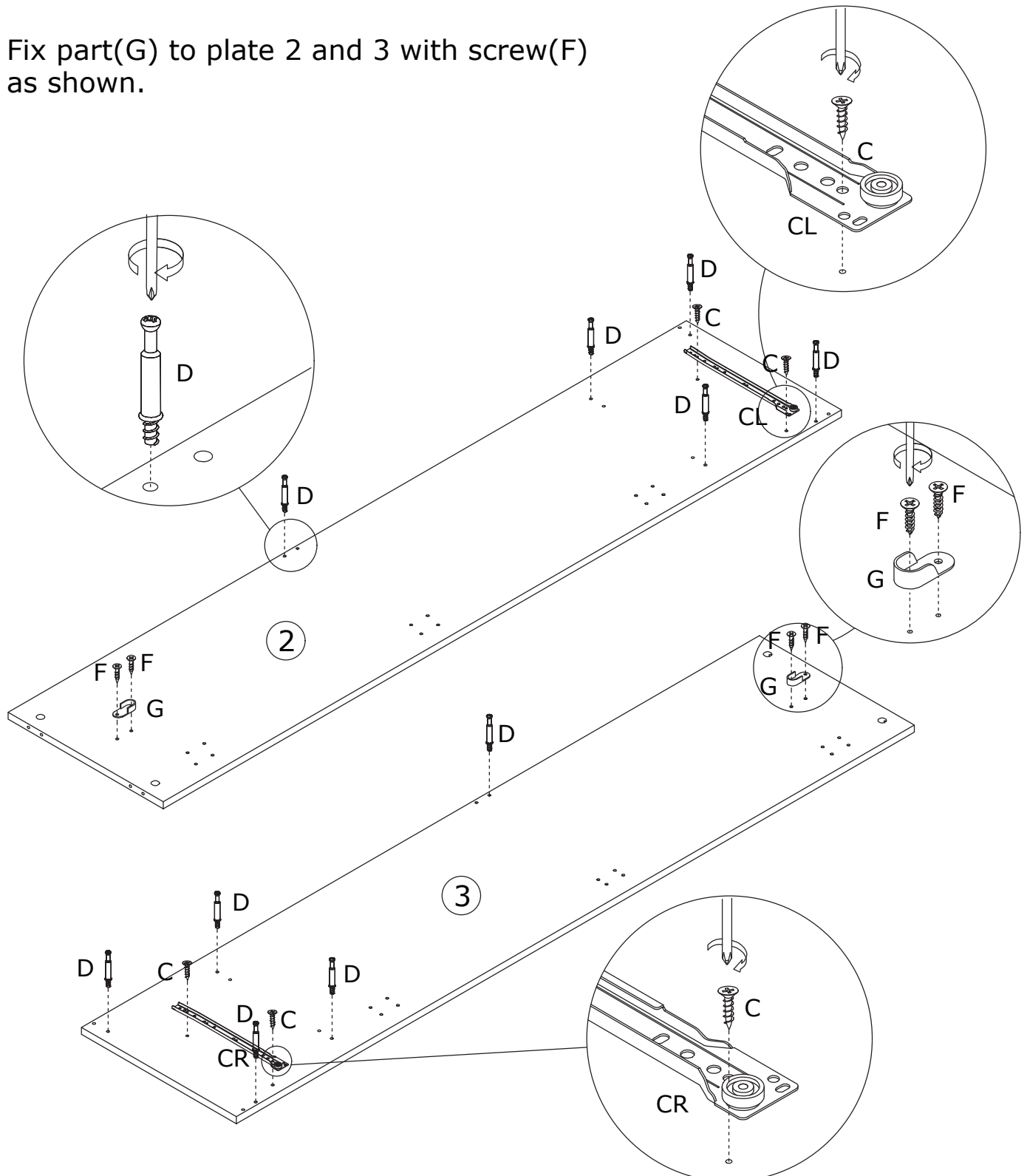
C x 4  Ø3.5 x 12 mm	D x 10  Ø7 x 35 mm	F x 4  Ø4 x 14 mm	G x 2 	CL x 1  L350 mm	CR x 1  L350 mm	
--	---	--	--	---	--	---

Insert quickfit screw(D) into plate 2 and 3 with a screwdriver as shown.

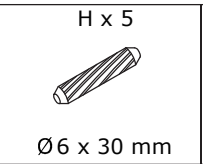
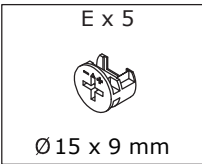


Fix slide rail(CL) and (CR) to plate 2 and 3 respectively with screw(C) as shown.

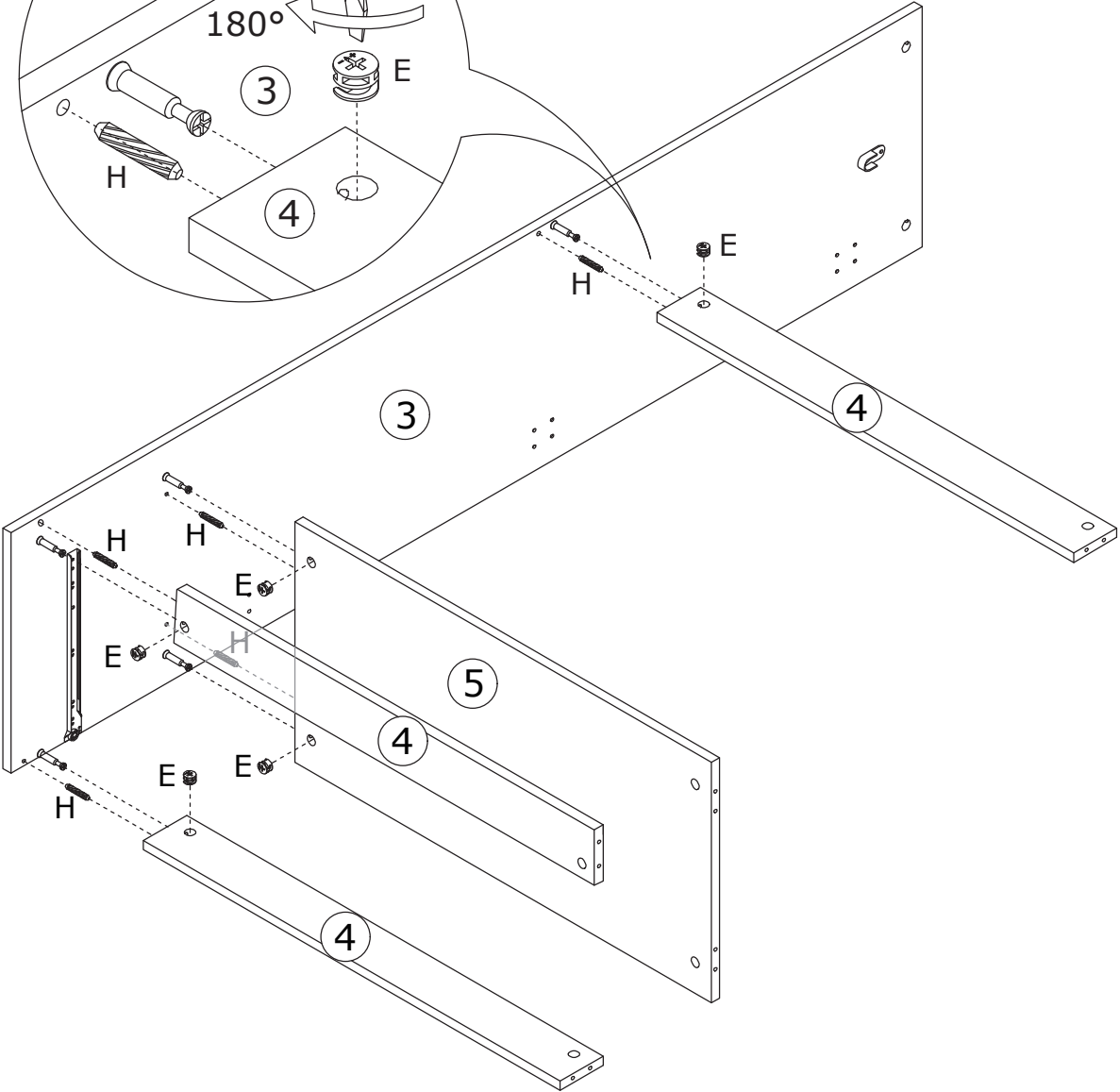
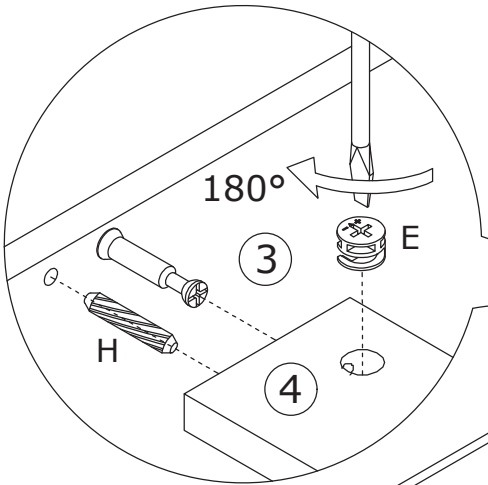
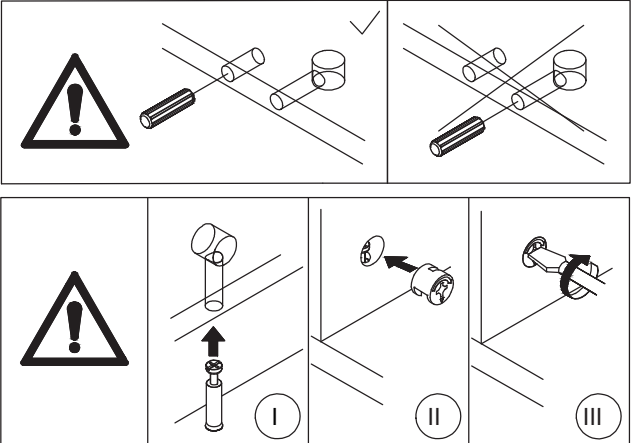
Fix part(G) to plate 2 and 3 with screw(F) as shown.



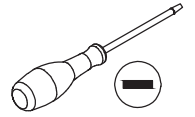
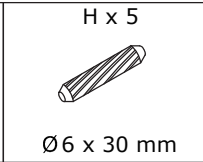
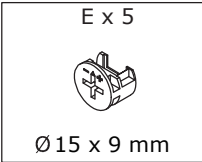
2



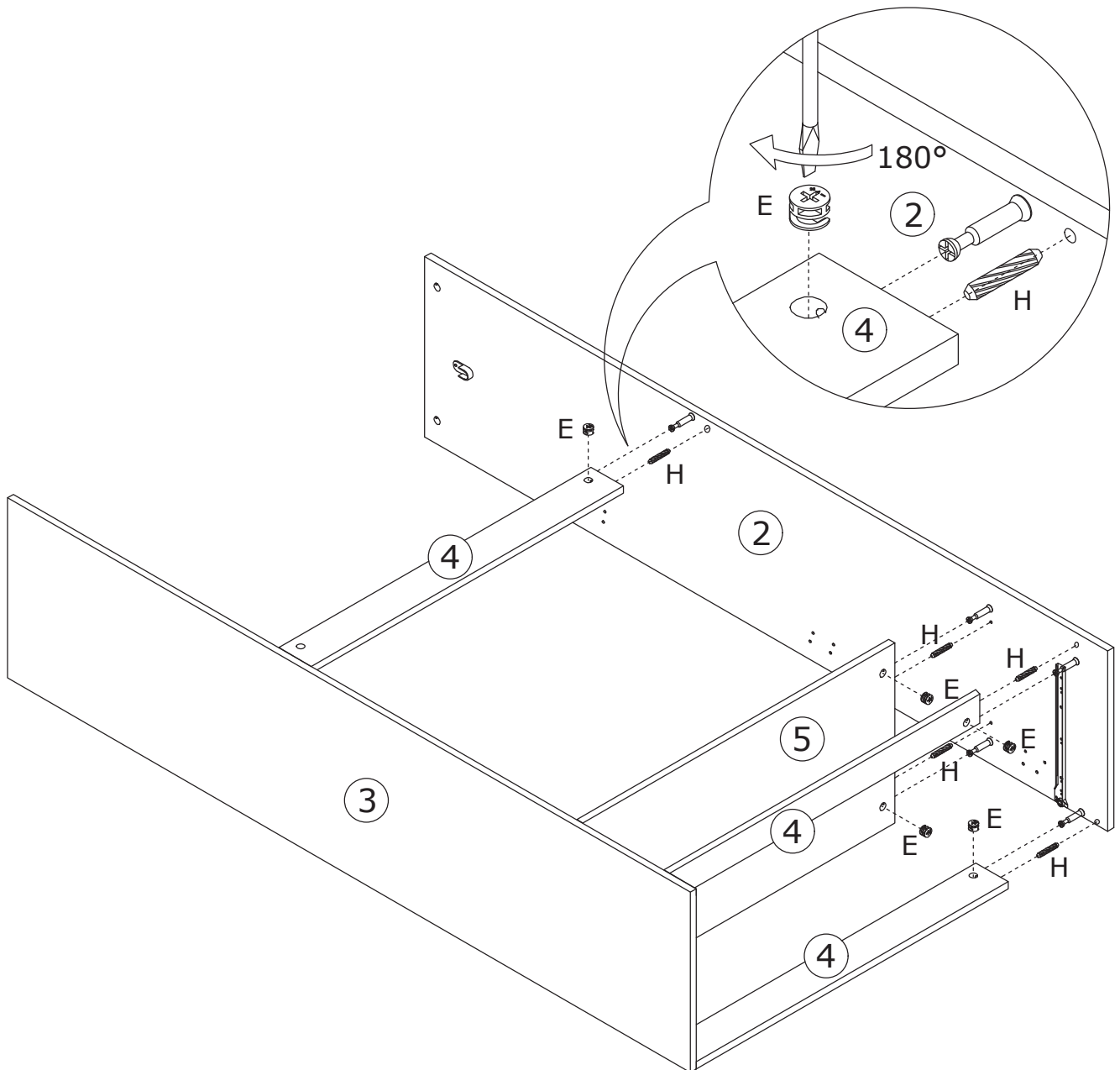
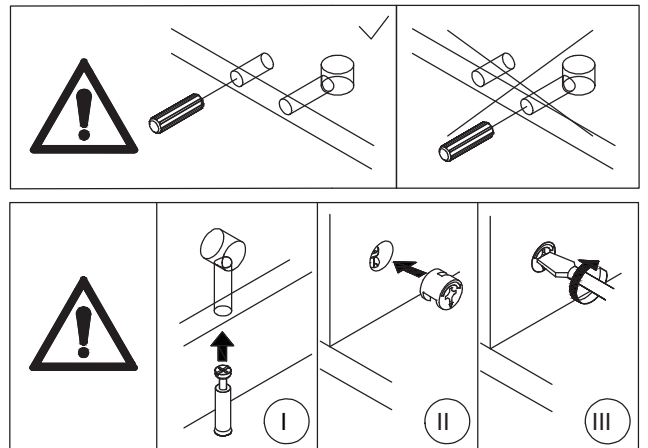
Attach plate 4 and 5 to plate 3 with wooden dowel(H) and turn cam locks(E) clockwise to tighten as shown.



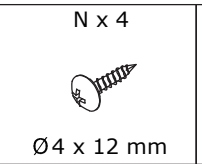
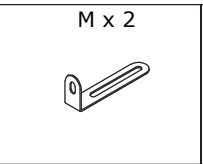
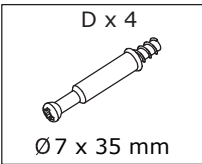
3



Attach plate 2 to the component with wooden dowel(H) and turn cam locks(E) clockwise to tighten as shown.

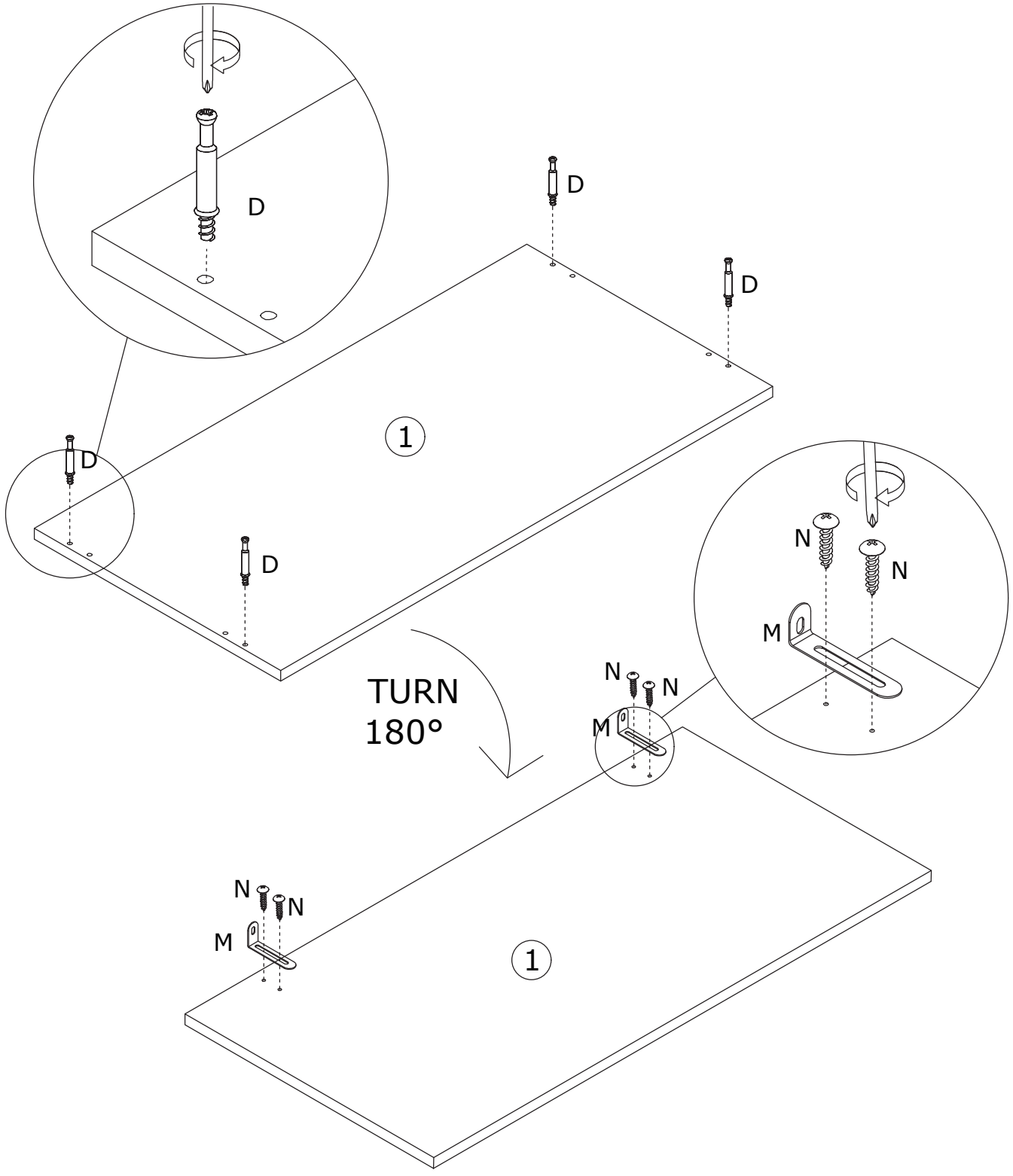
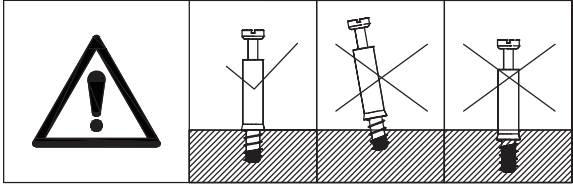


4

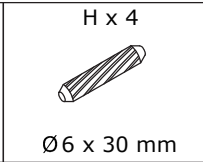
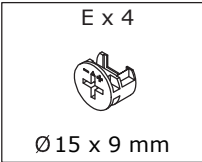


Insert quickfit screw(D) into plate 1 with a screwdriver as shown.

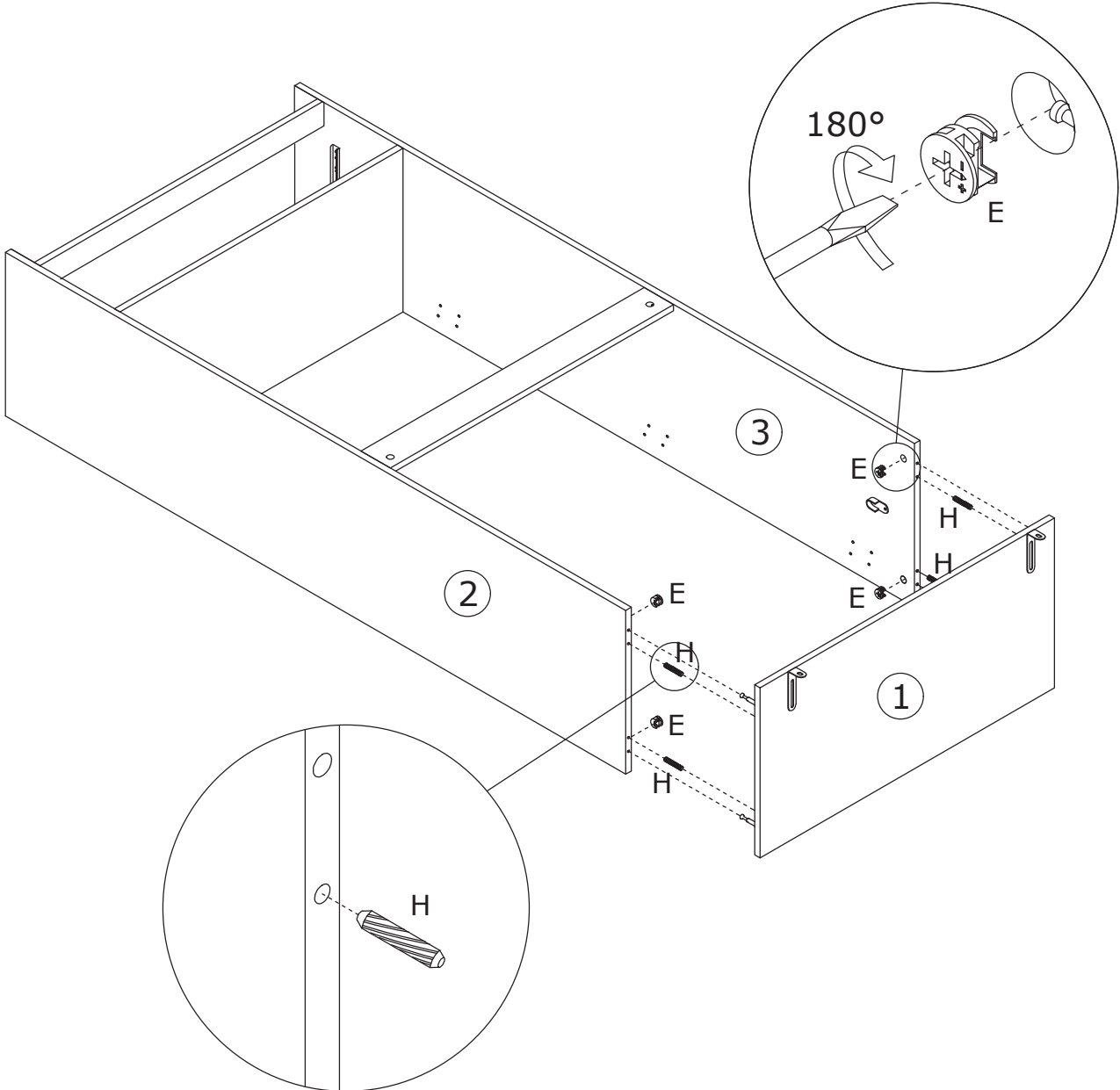
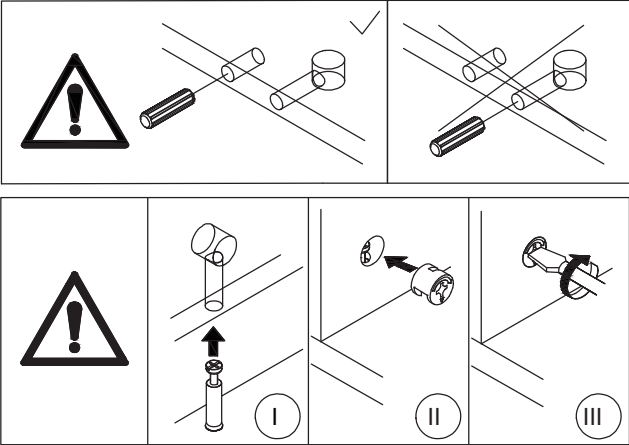
Flip the plate and fix part(M) to plate 1 with screw(N) as shown.



5

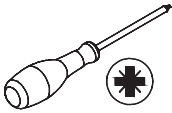


Attach plate 1 to plate 2,3 with wooden dowel(H) and turn cam locks(E) clockwise to tighten as shown.

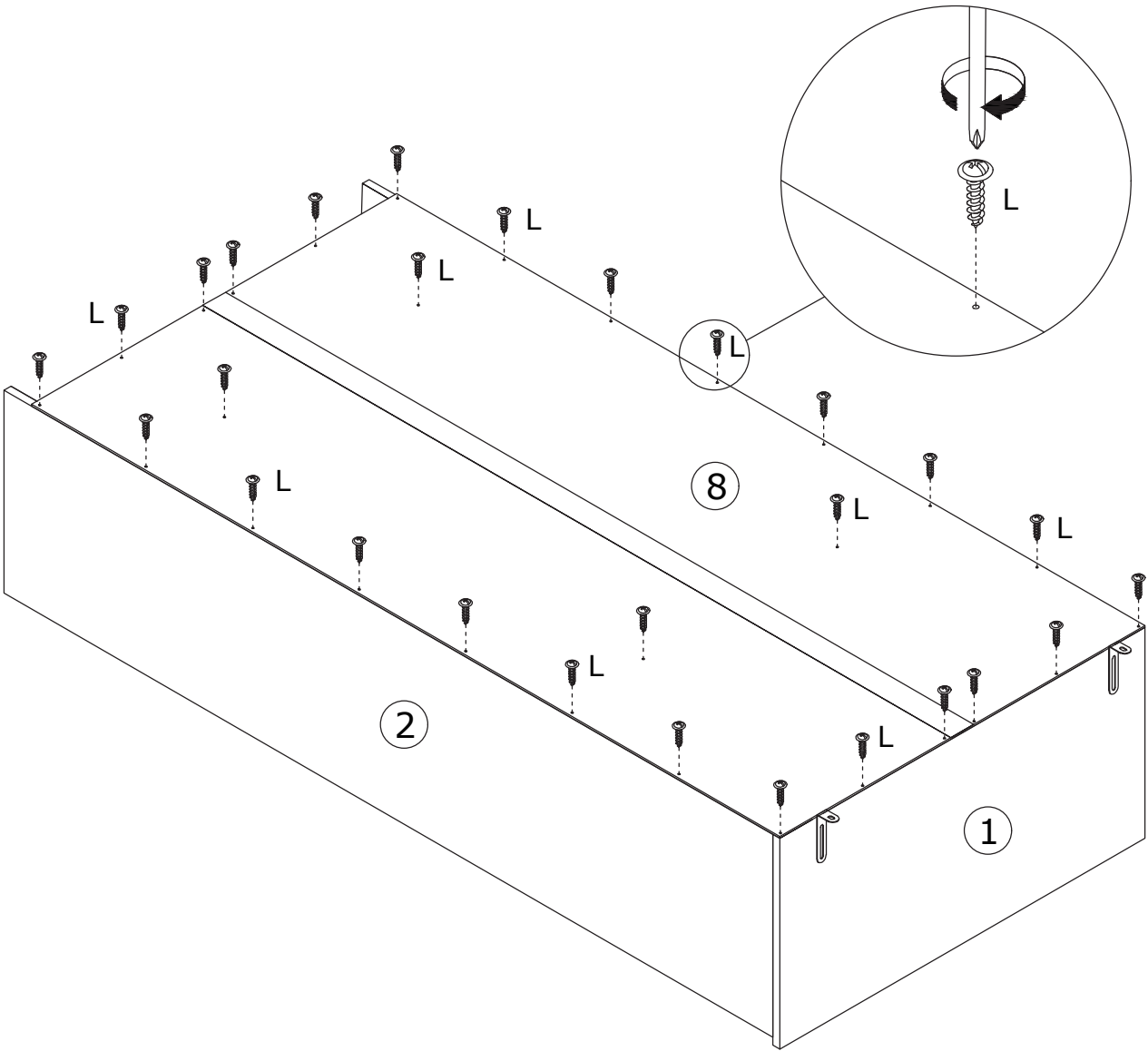


6

L x 28  
Ø2.5 x 14 mm

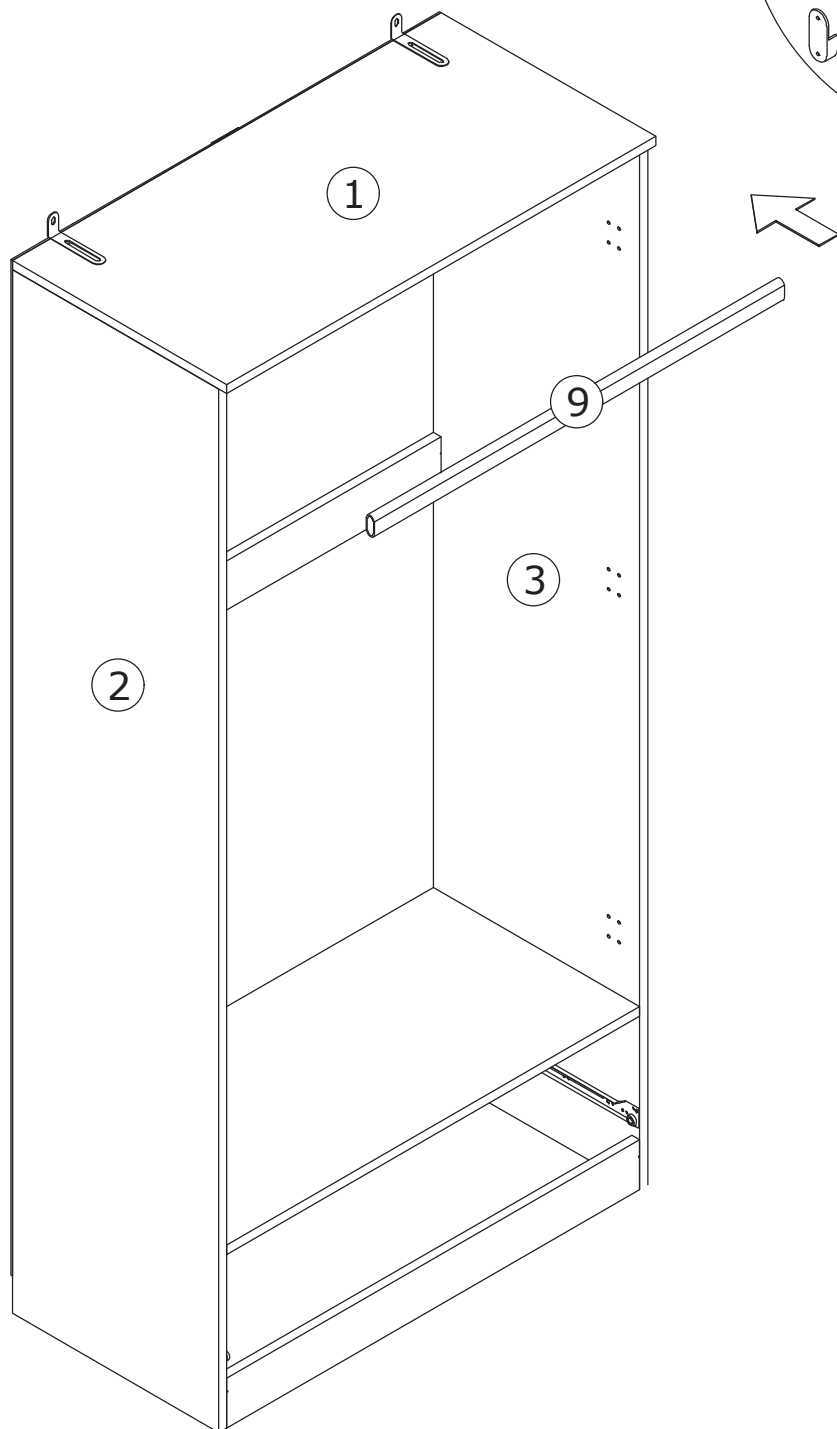
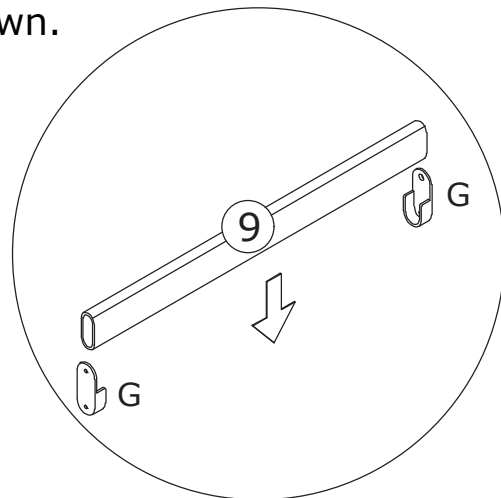


Fix back plate 8 with nail(L) as shown.



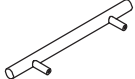

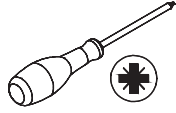


7

Put clothing rod 9 on the part(G) as shown.

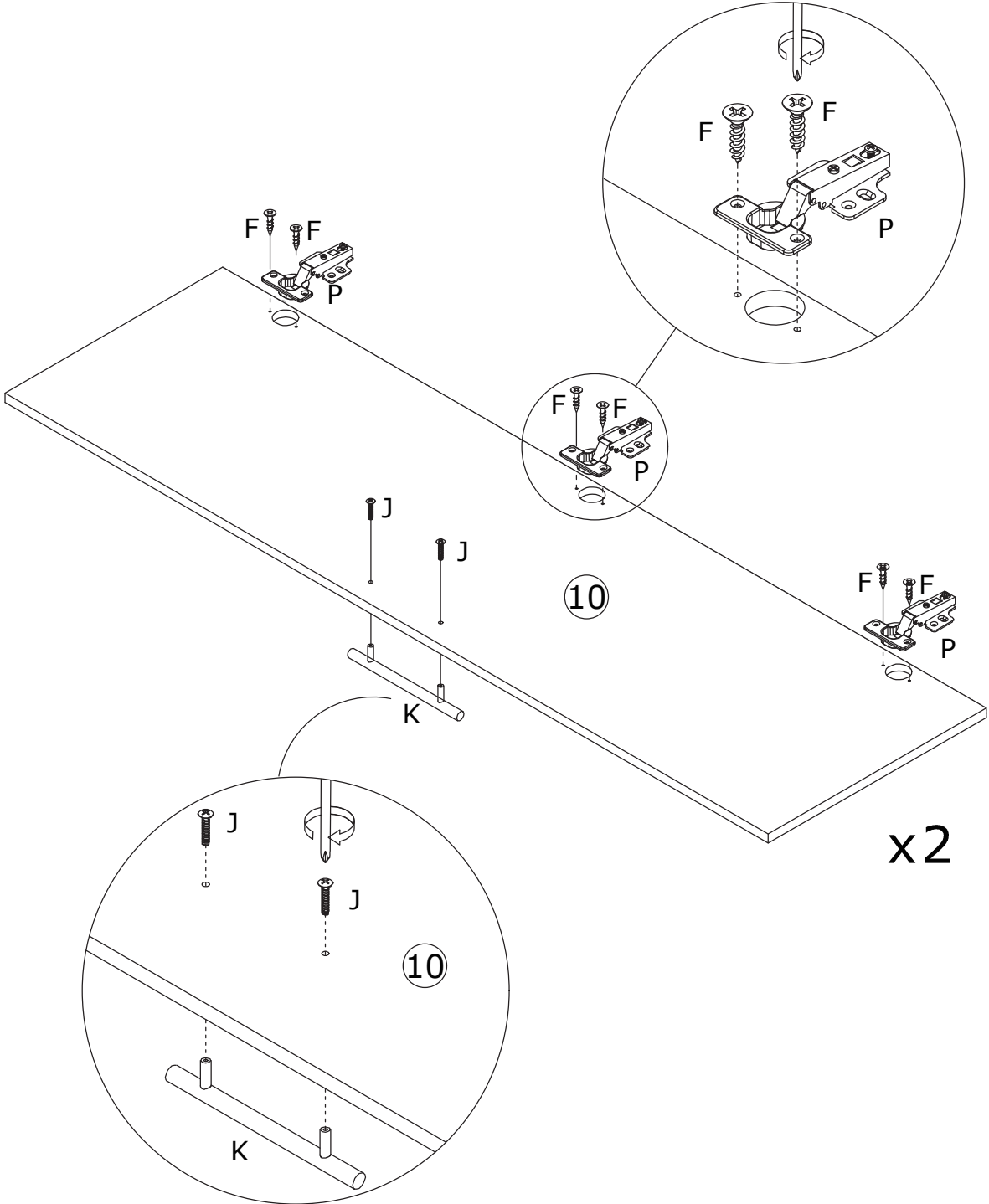


8

F x 12  Ø4 x 14 mm	J x 4  Ø4 x 22 mm	K x 2 	P x 6 	
---	--	--	---	---

Fix hinge(P) to plate 10 with screw(F) as shown.  
Please don't use an electric screwdriver or use force to rotate, may cause crack.

Fix handle(K) to plate 10 with screw(J) as shown.

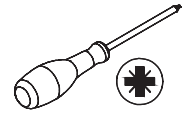


9

F x 24

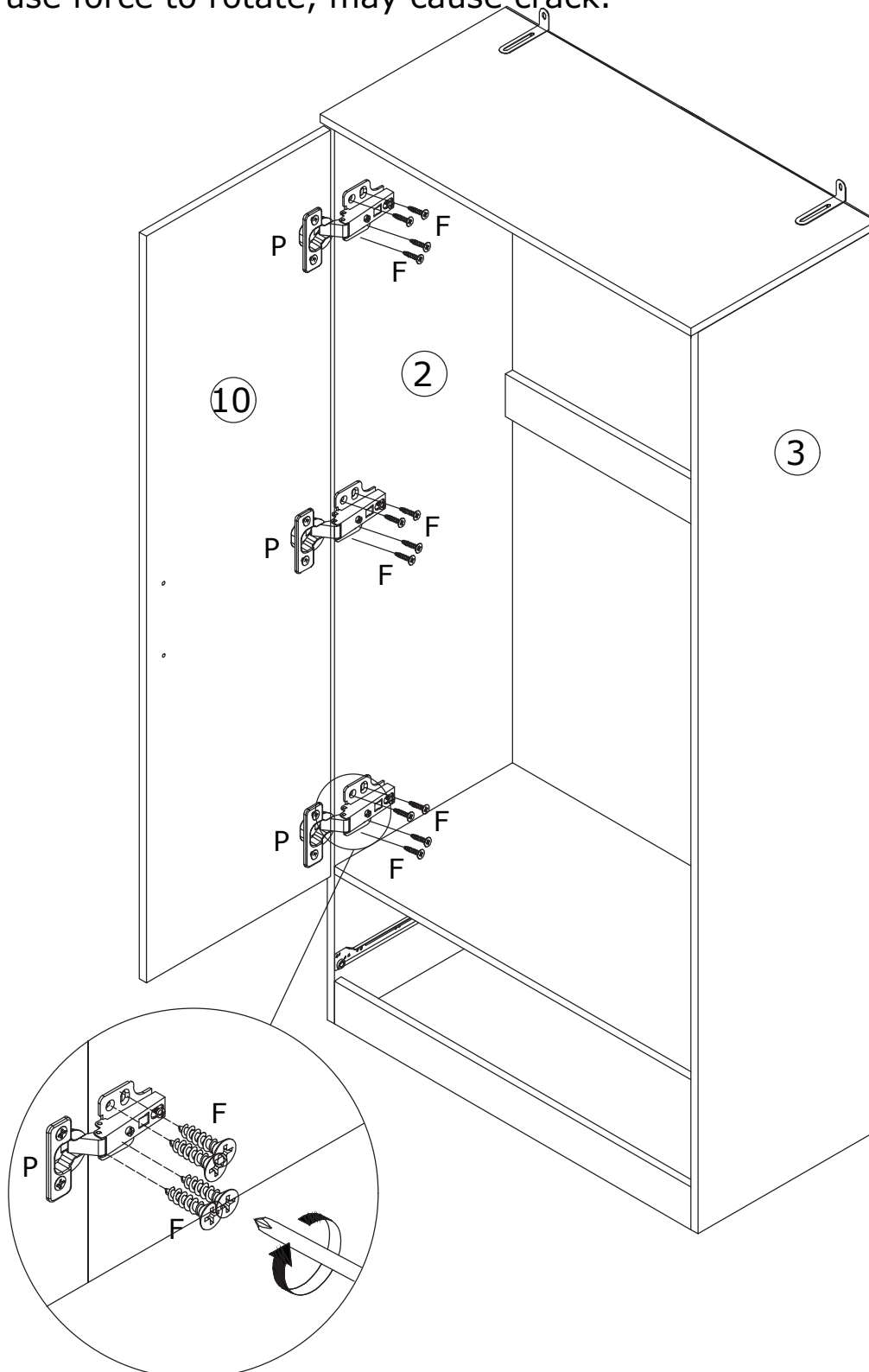


Ø4 x 14 mm



Attach door 10 to plate 2 by fixing hinge with screw(F) as shown.

Please don't use an electric screwdriver or use force to rotate, may cause crack.



# 10

F x 24

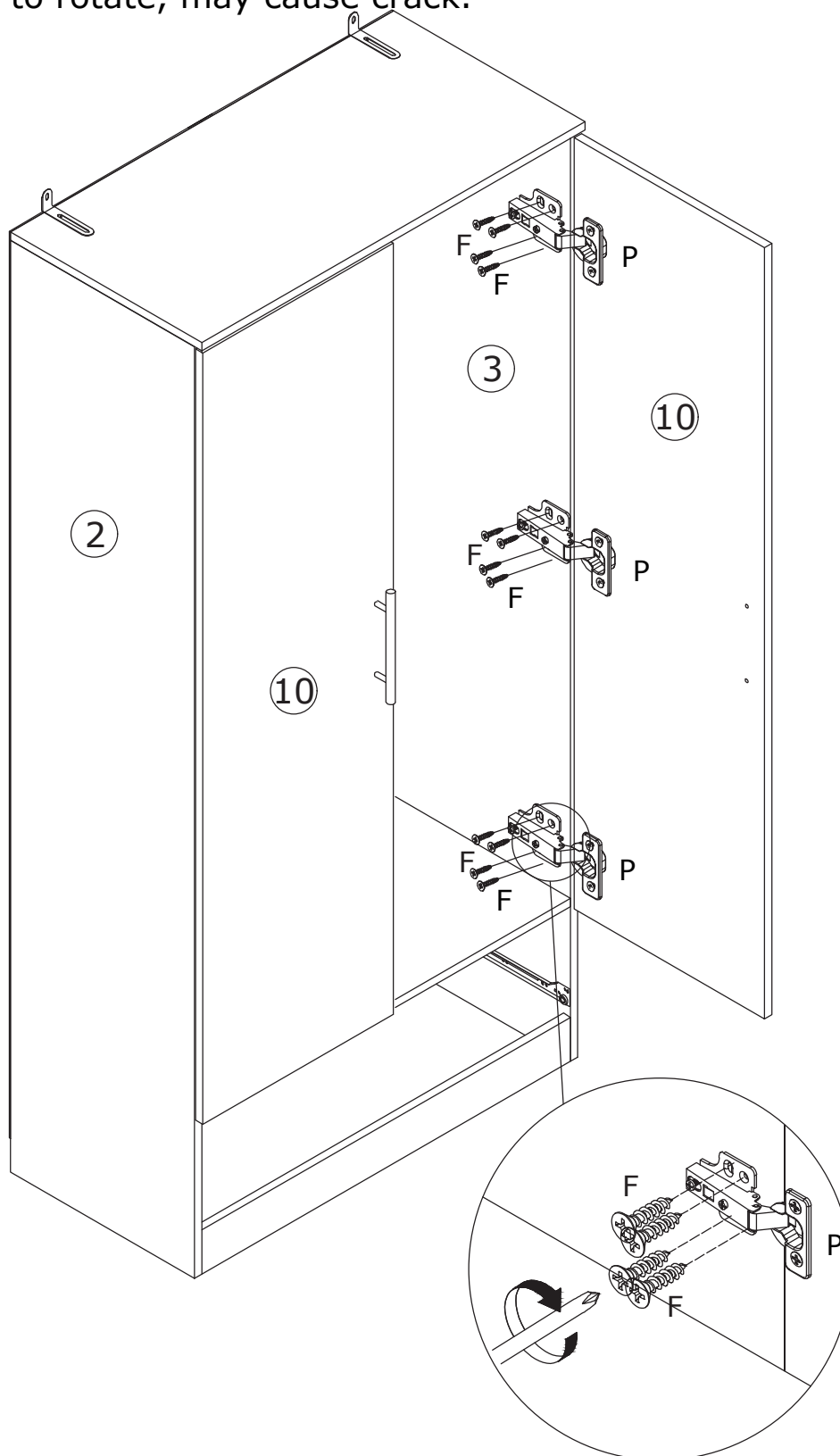


Ø4 x 14 mm

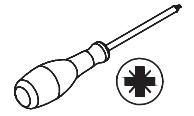
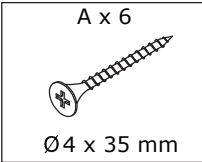


Attach door 10 to plate 3 by fixing hinge with screw(F) as shown.

Please don't use an electric screwdriver or use force to rotate, may cause crack.

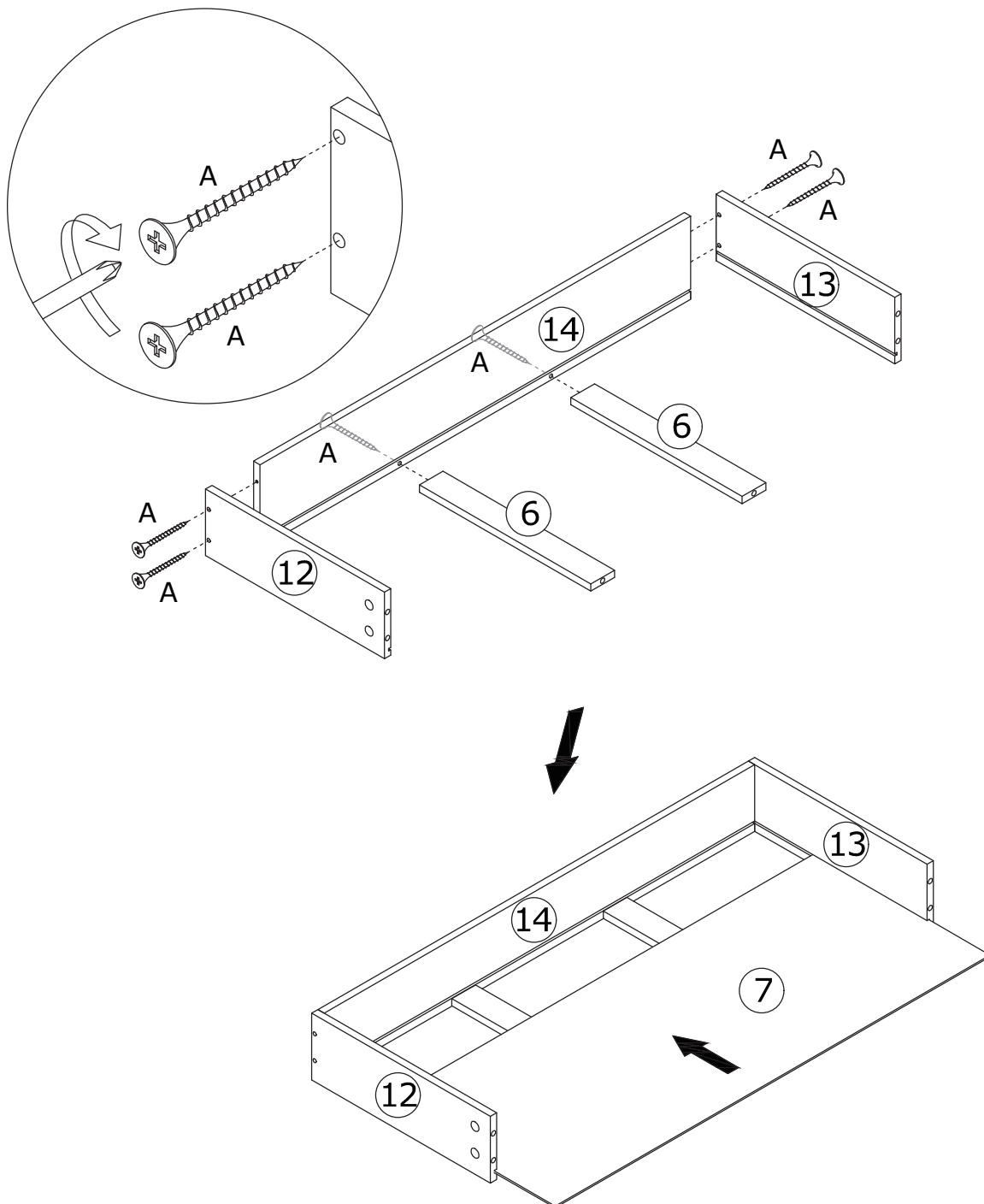


11

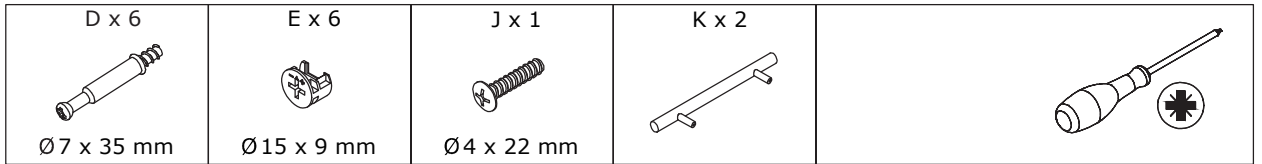


Attach plate 12,13,6 to plate 14 with screw(A) as shown.

Slide plate 7 into available slots as shown.



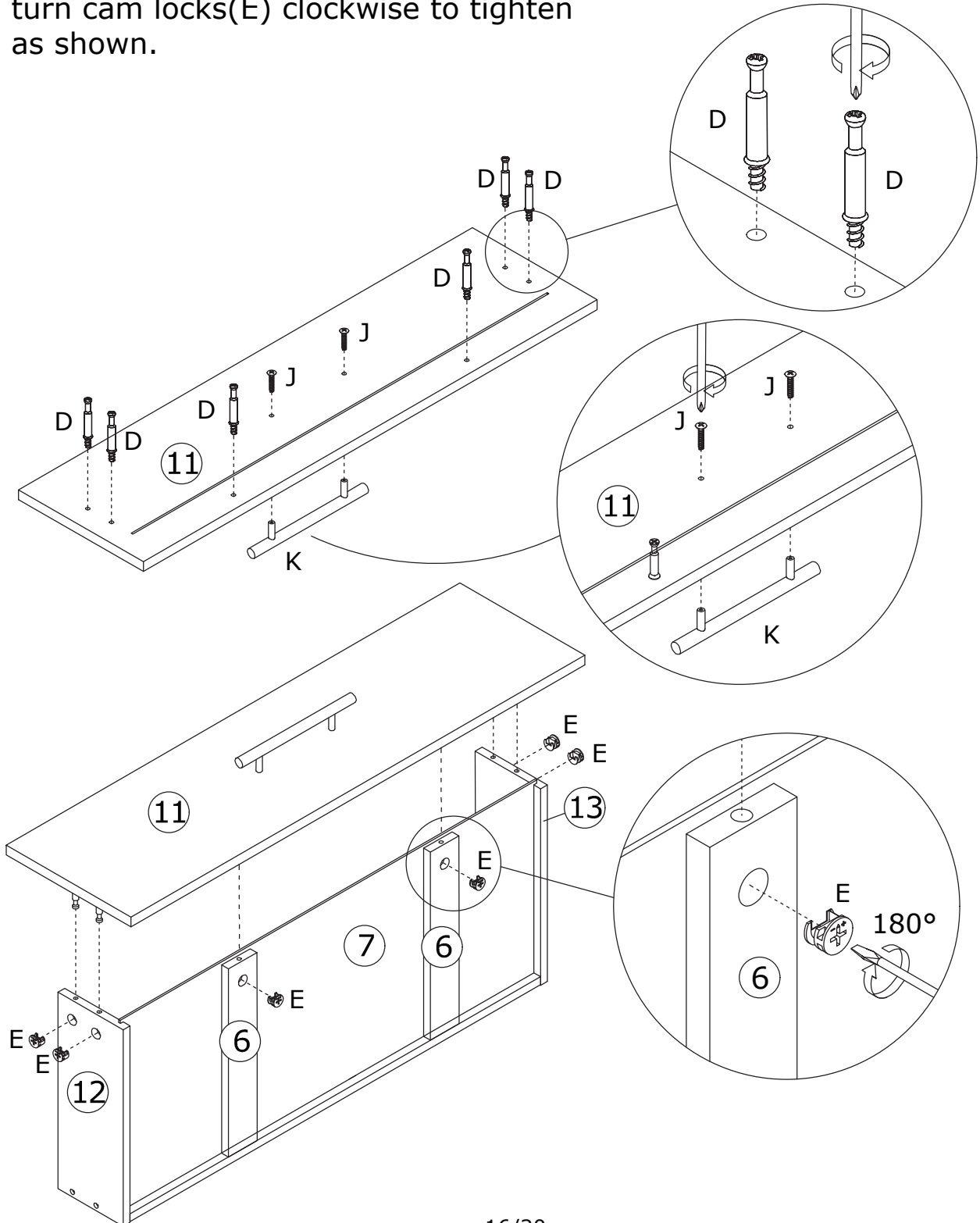
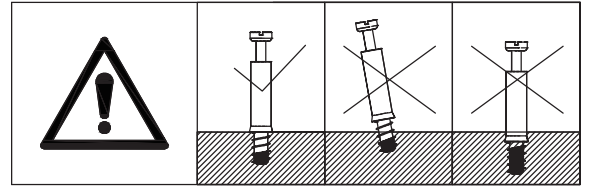
# 12




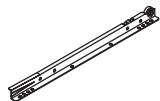
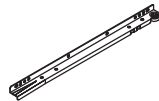
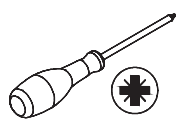
Insert quickfit screw(D) into plate 11 with a screwdriver as shown.

Fix handle(K) with screw(J) as shown.

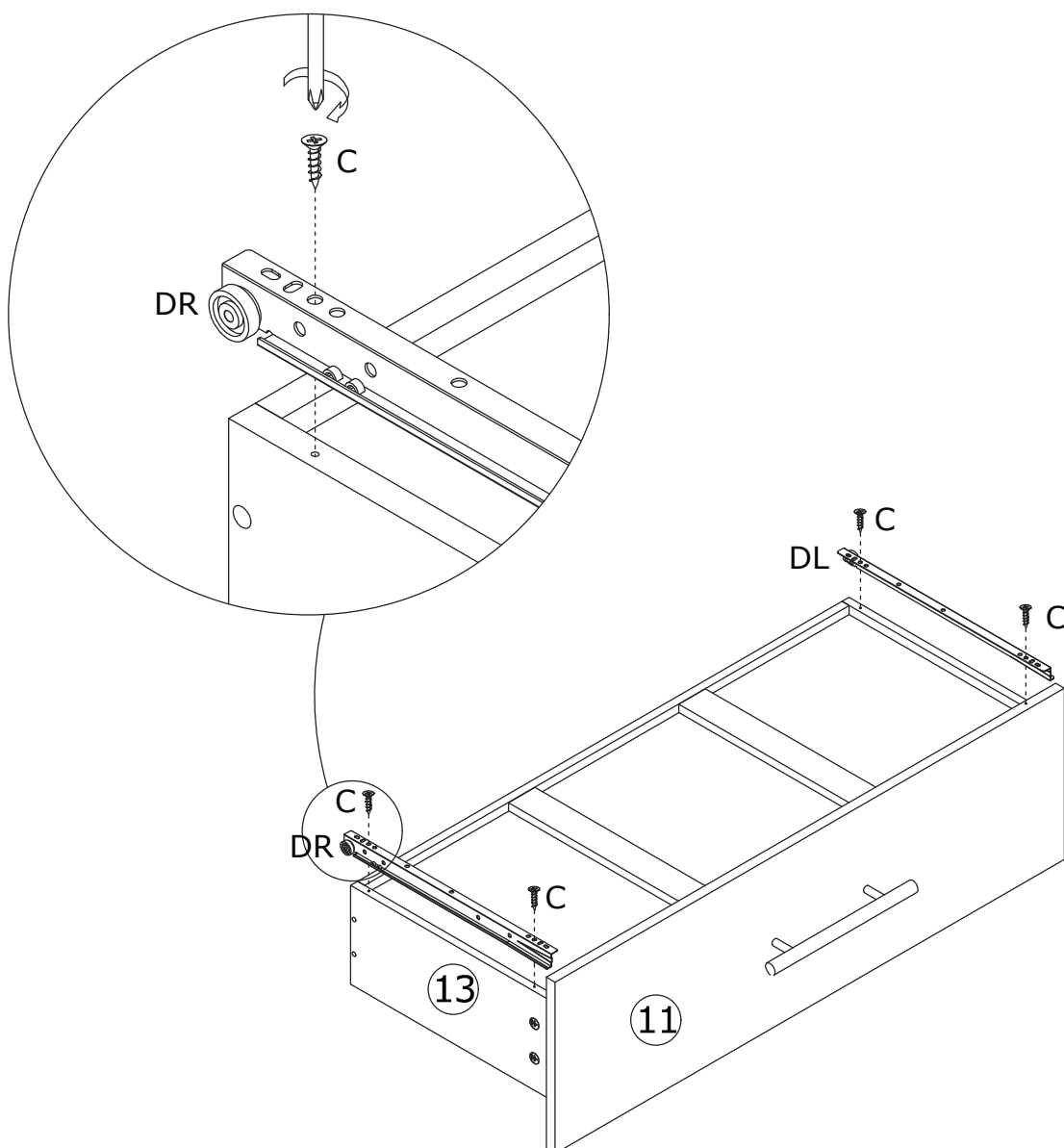
Attach plate 11 to the component and turn cam locks(E) clockwise to tighten as shown.



# 13

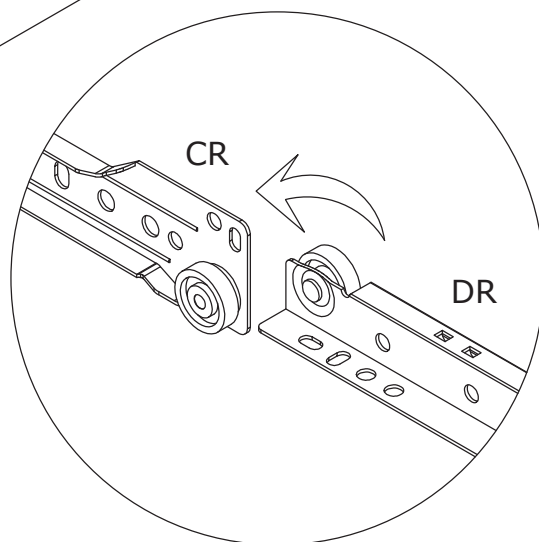
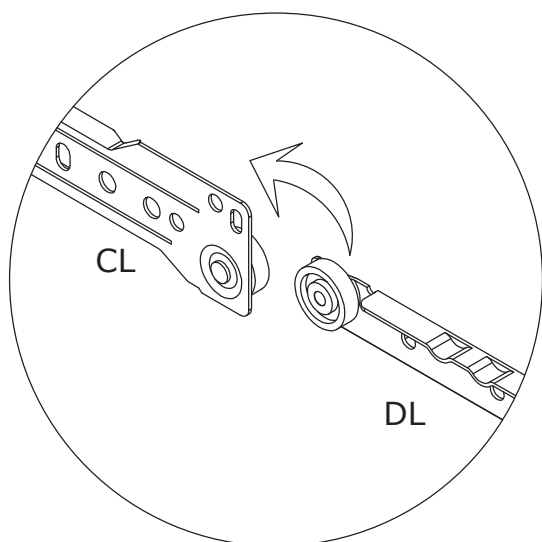
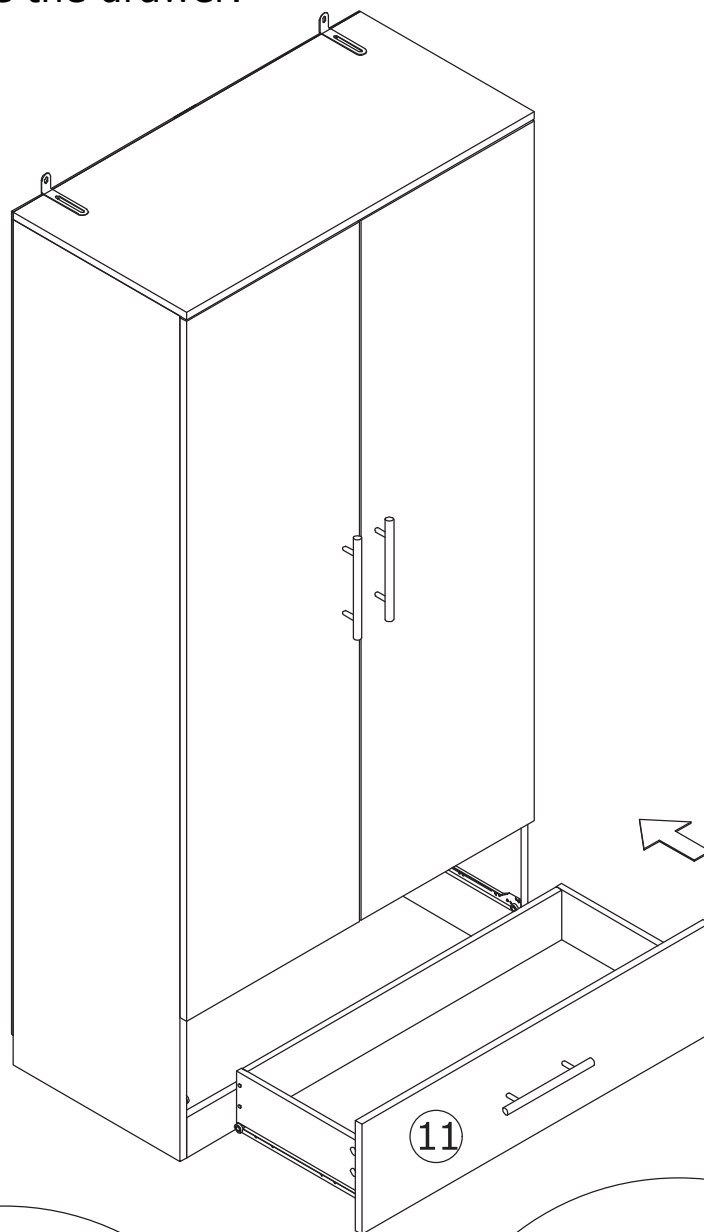
C x 4  Ø3.5 x 12 mm	DL x 1  L350 mm	DR x 1  L350 mm	
--	--	--	---

Fix runner(DL) and (DR) to plate 12 and 13 respectively with screw(C) as shown.

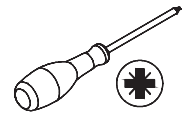


14

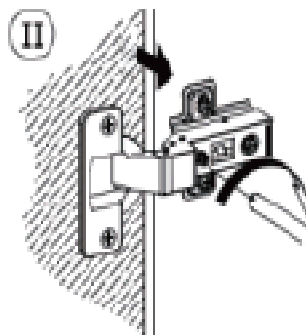
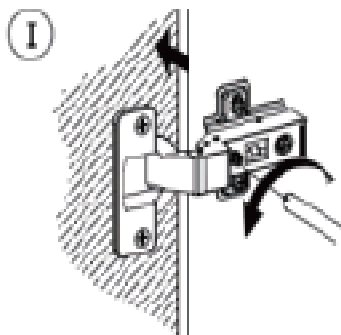
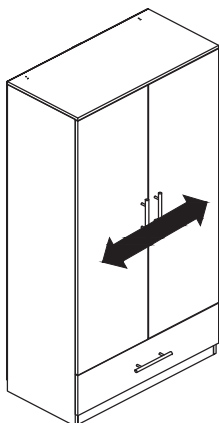
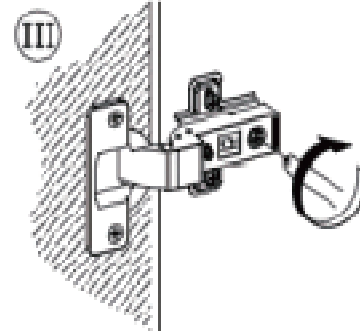
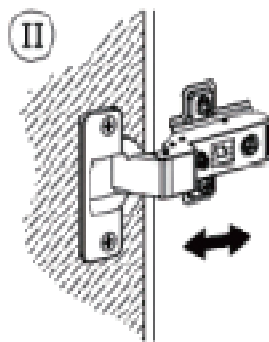
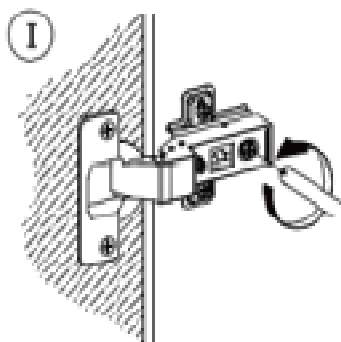
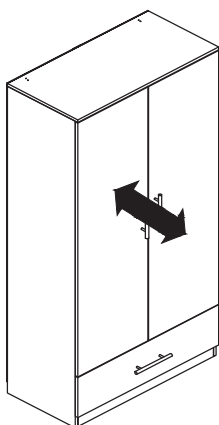
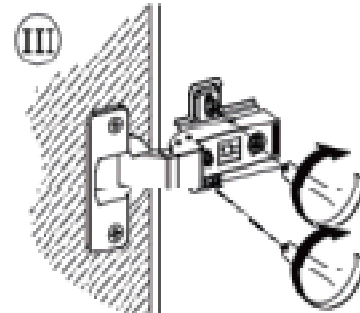
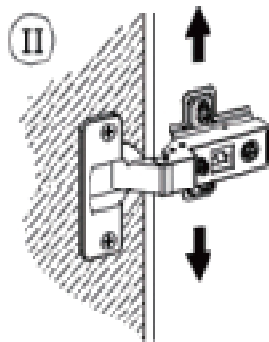
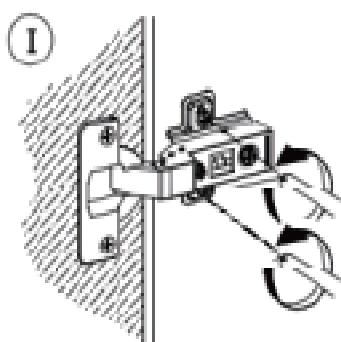
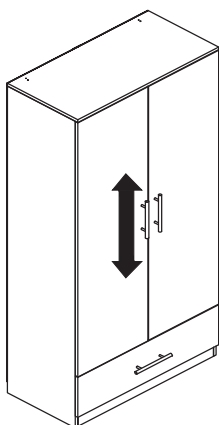
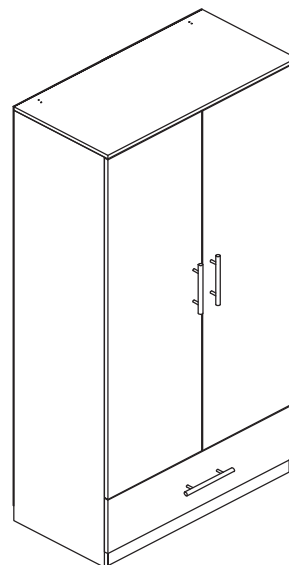
Align rails, slide the drawer.



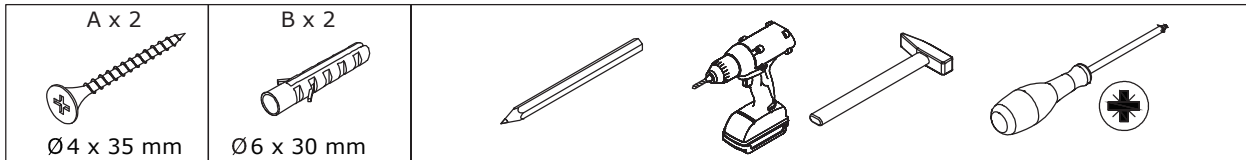
# 15



Adjust the length of hinges to avoid a gap between doors as picture shown, as shown.

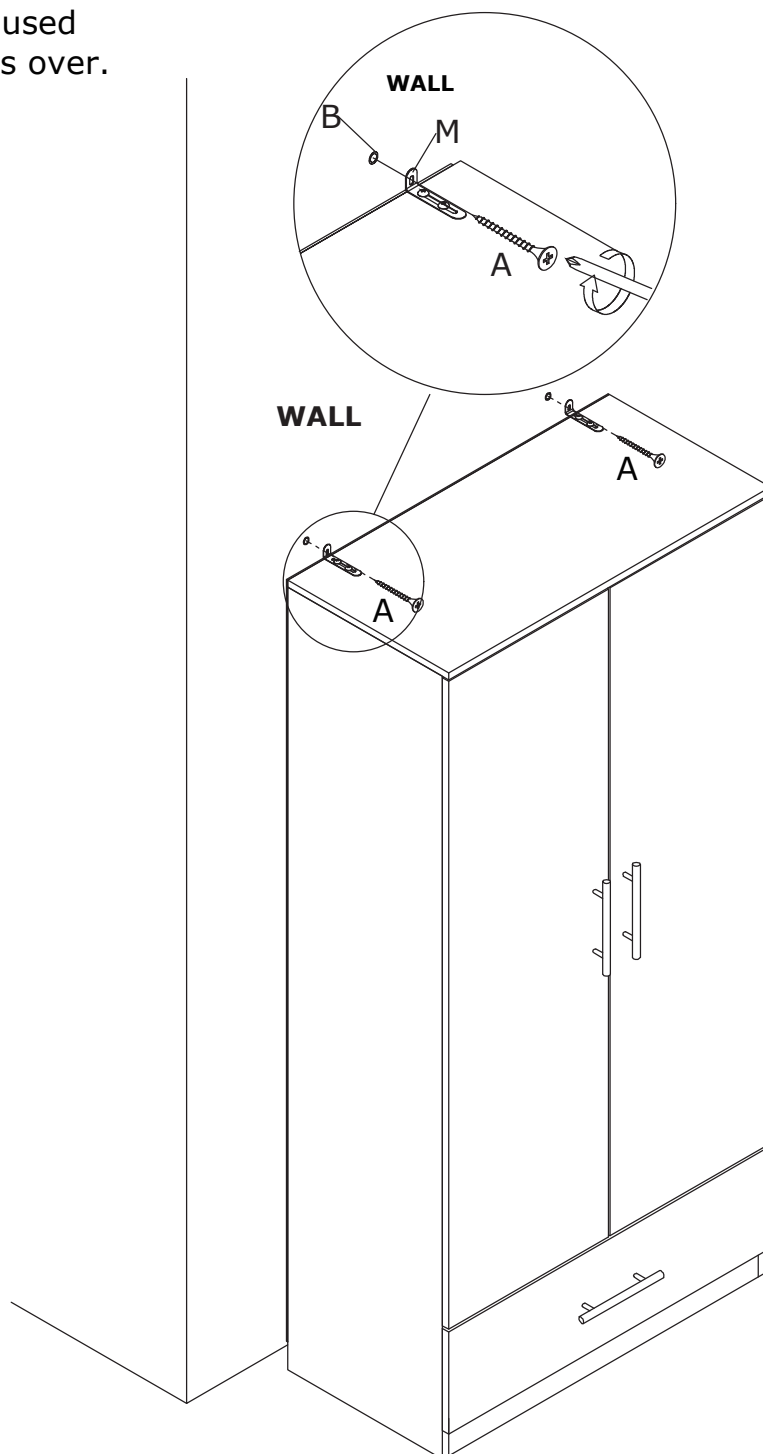
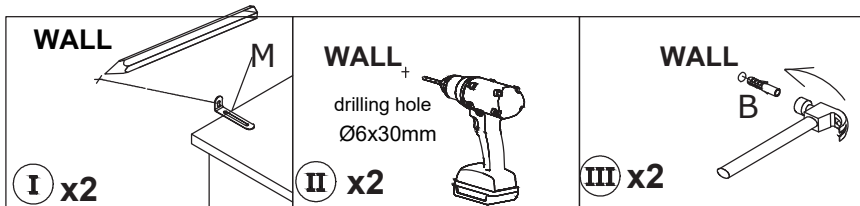


# 16



For extra stability, it is recommended that you fix your drawer to the wall using the additional hardware (A, M, B), as shown.

Should you choose not to affix the product to the wall, serious injury may be caused if the product tips over.



# WARRANTY

## WARRANTY CLAIMS

- There is a 30-day warranty for broken furniture or any other problems that do not work properly. The warranty will start from the date of purchase which must be verified by proof of purchase.
- Before making a claim, we may be able to answer your query, simply call us. Please leave your purchase order number, along with some details of the problem, if you want a replacement part. We will arrange within 48 hours. If there is out of stock, we will reply with a shipping date.
- The product must be used in accordance with the instructions provided. For health reasons.
- For other reasons, if the furniture needs to be returned, it must be cleaned and dried and operated within 30 days of receipt.

## Type of Warranty Claim

- Failure to follow the furniture instructions will invalidate the warranty. Attention please.
- Does not include damage during installation, but includes damage during transportation.

## Scope of responsibility

- Shall not bear any responsibility for misuse or user damage and / or loss of parts during the installation of furniture.
- After using, the damage and scratches of the furniture are not covered by the warranty.

## The Warranty Relates to All Bought in The Us and Covers The Following Areas

- Sheet parts: 1 month from the date of purchase.
- Electrical parts: 1 month from the date of purchase.