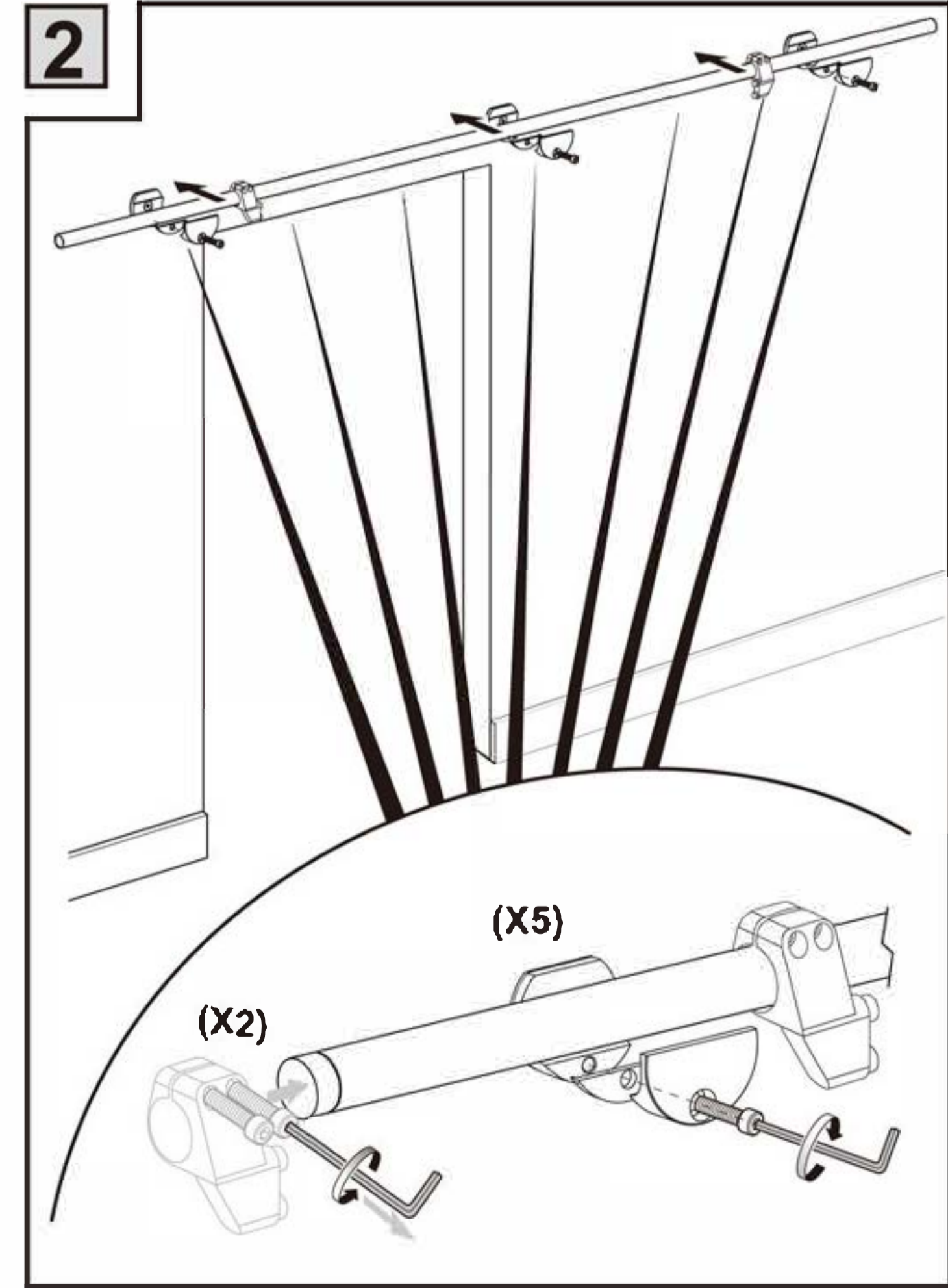
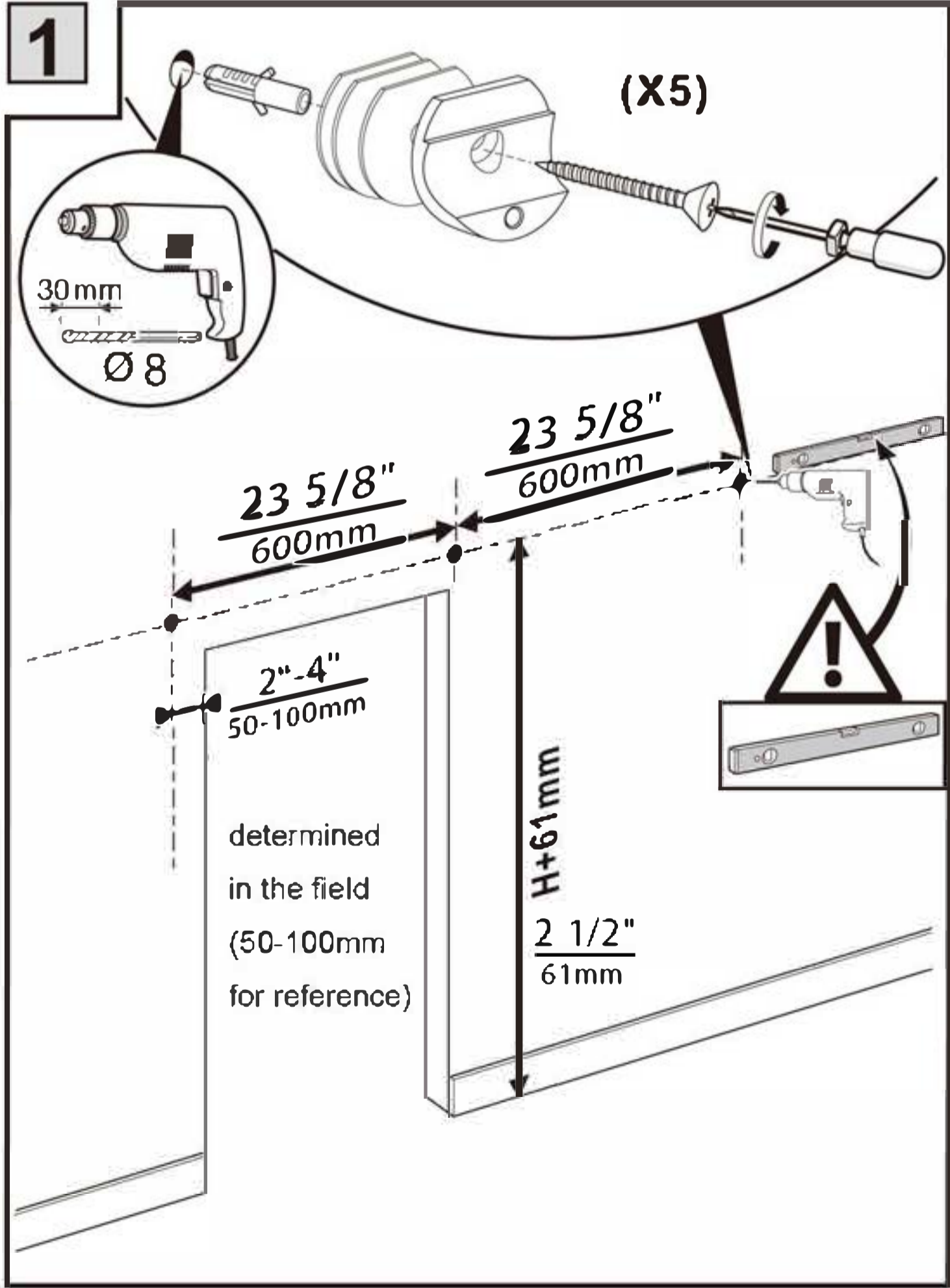
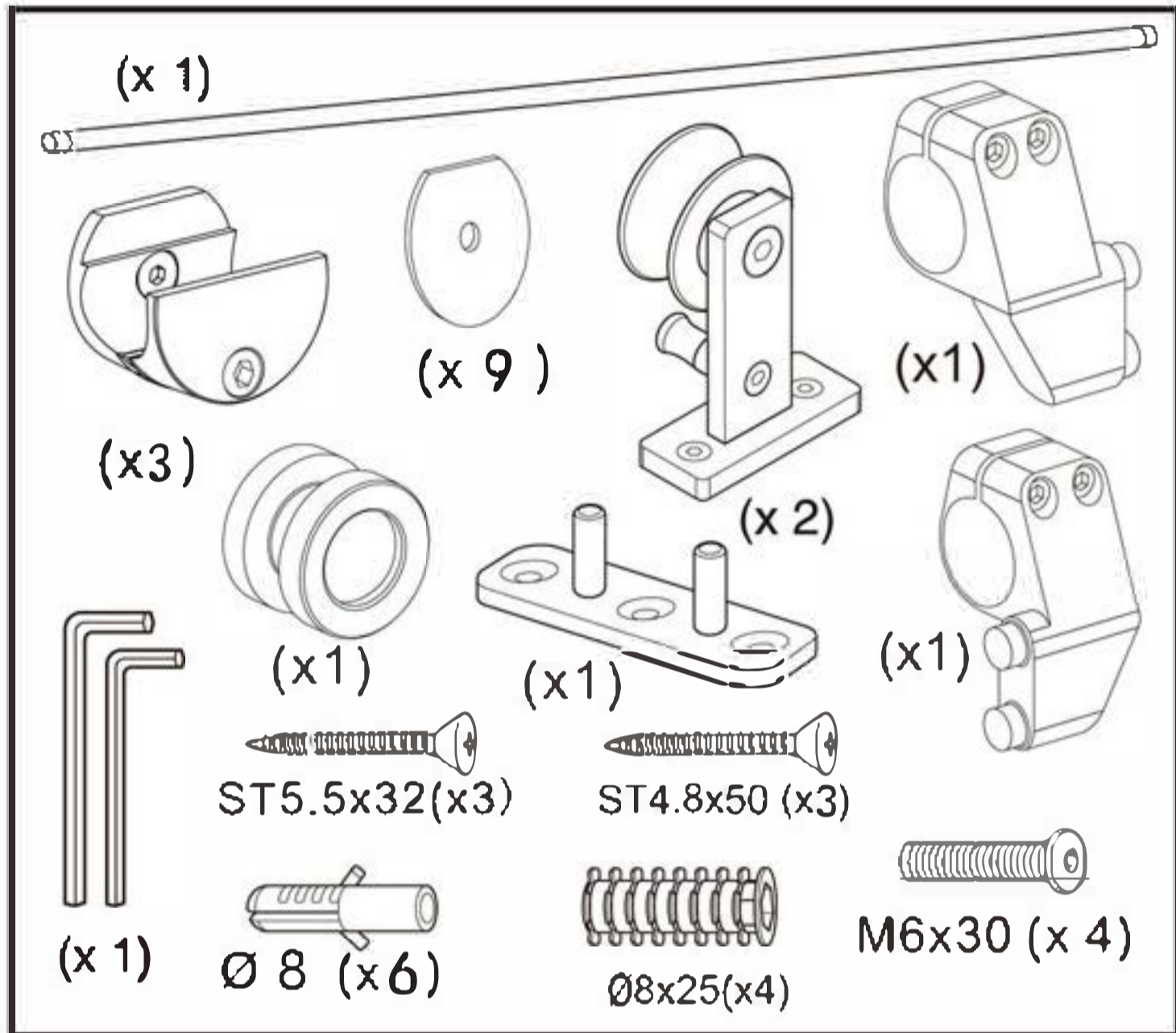
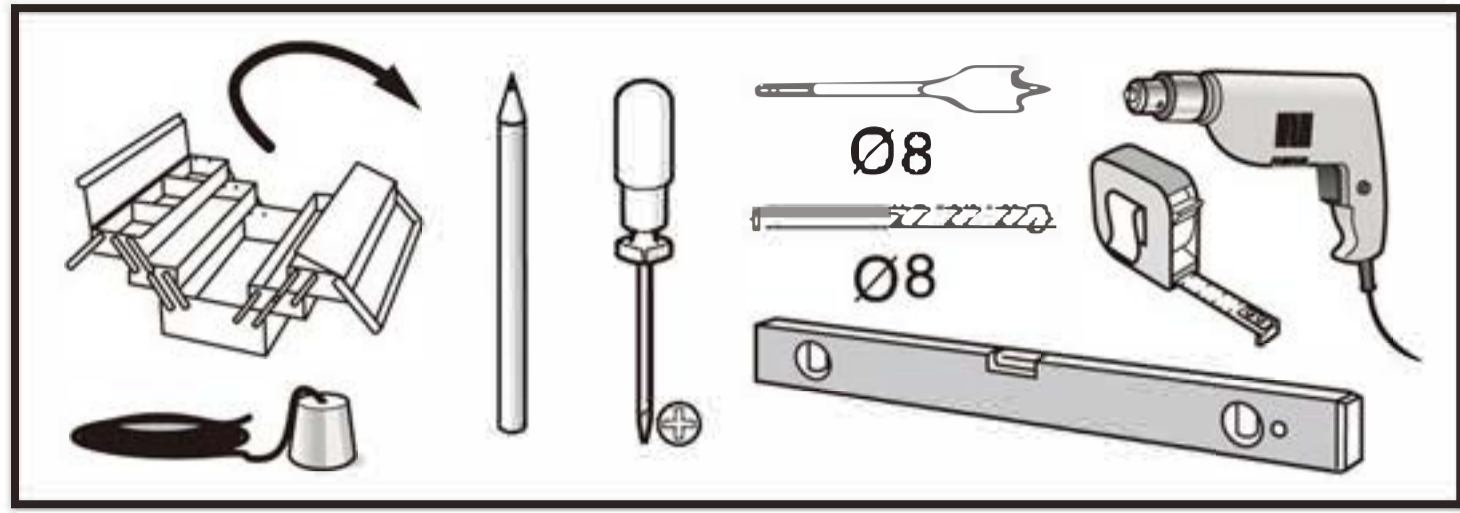
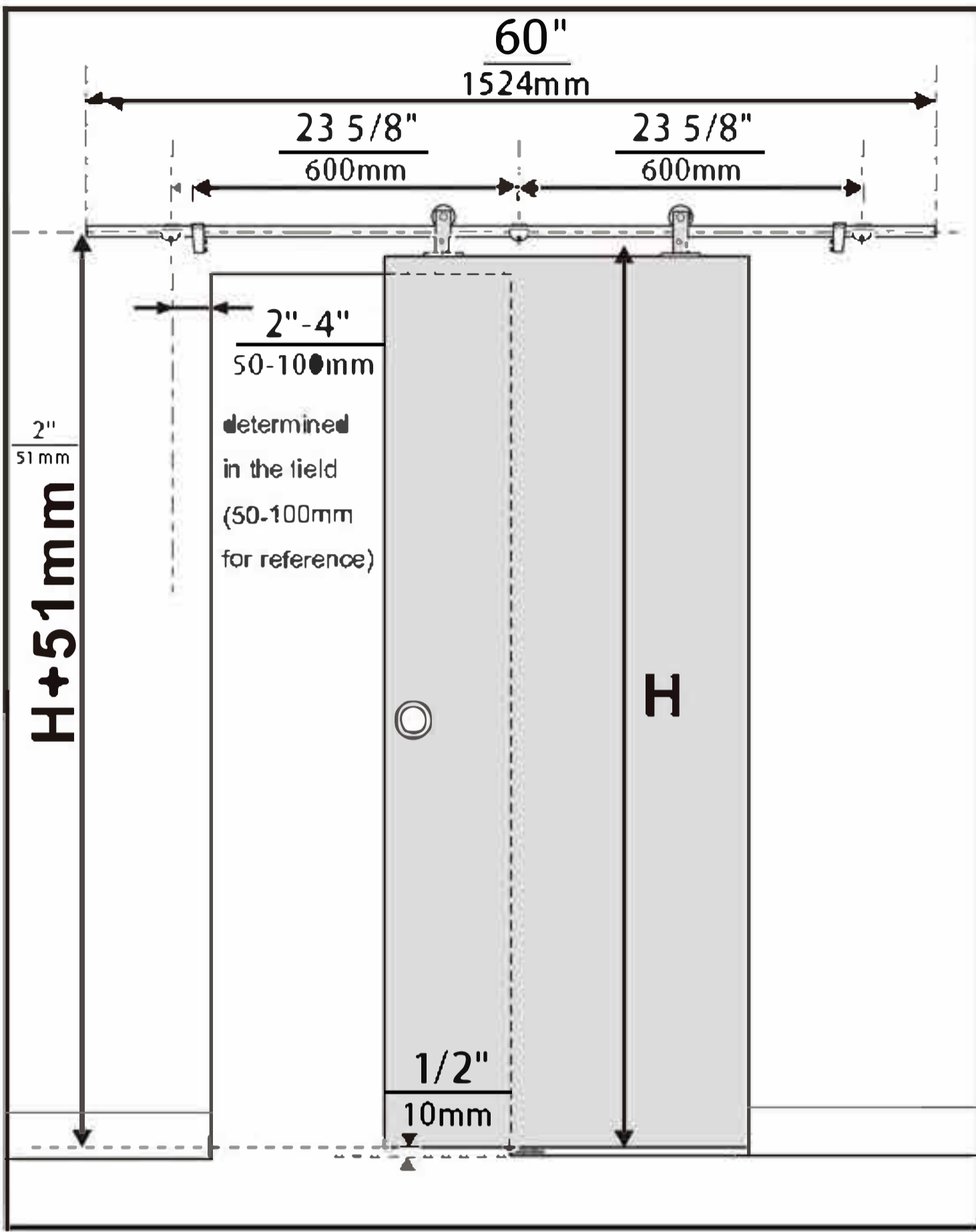
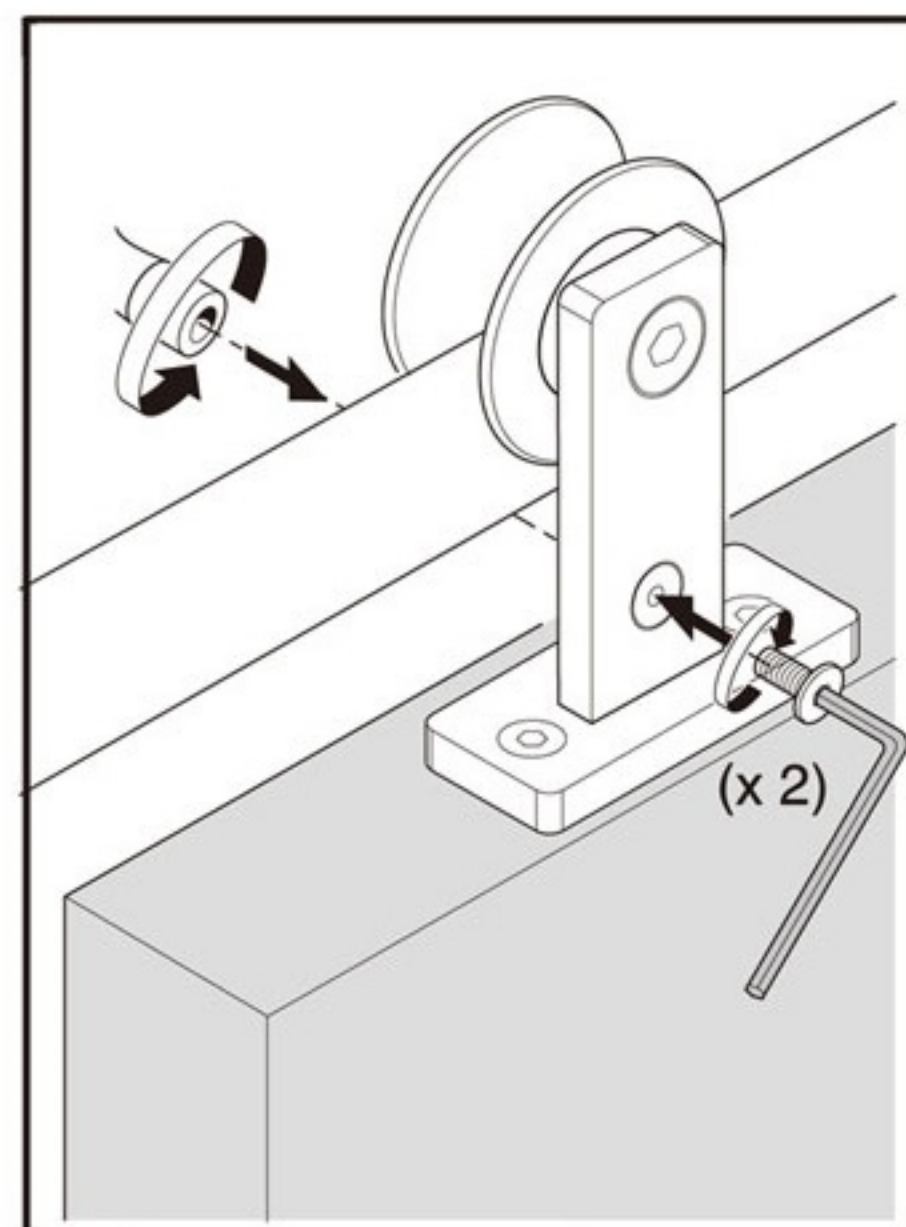
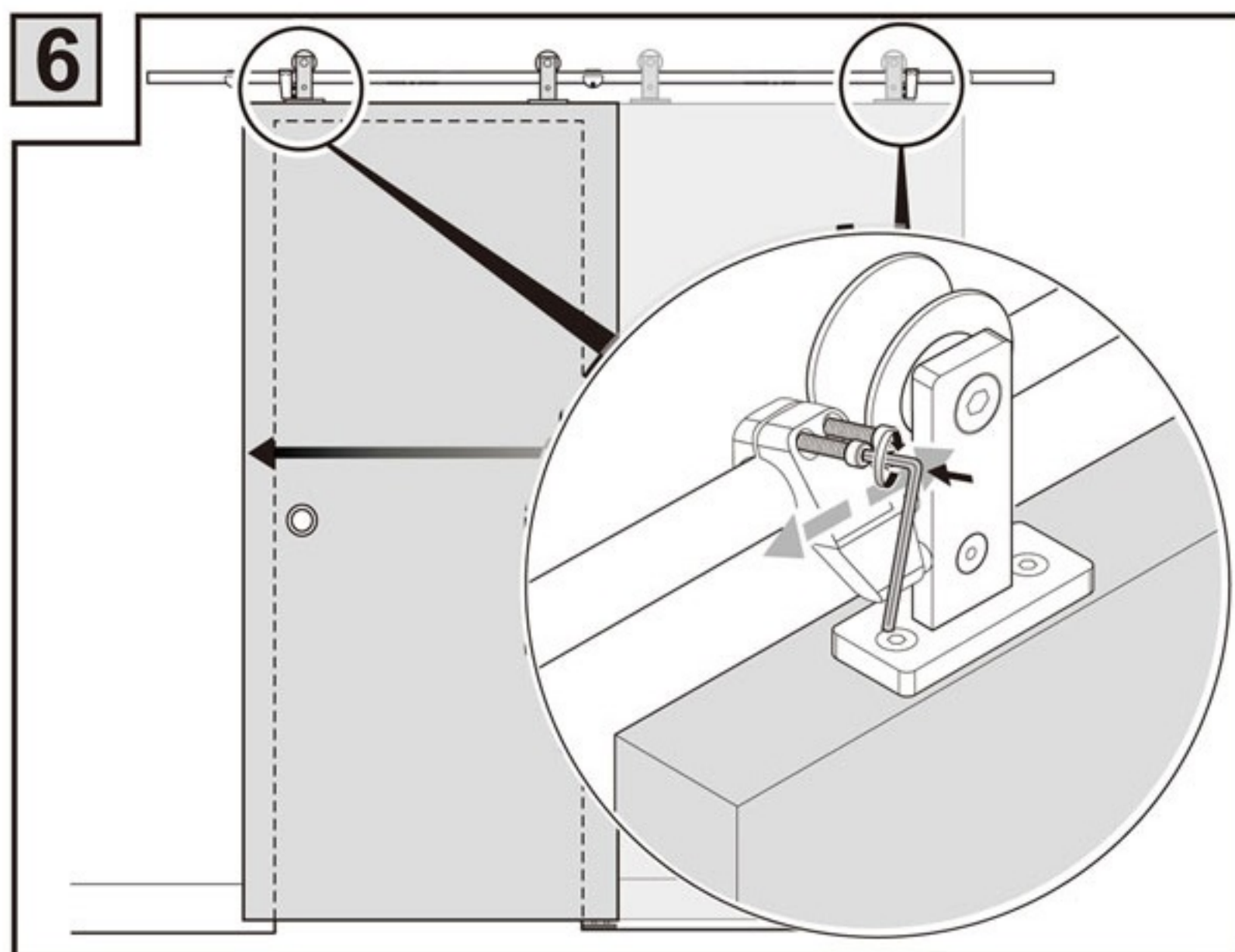
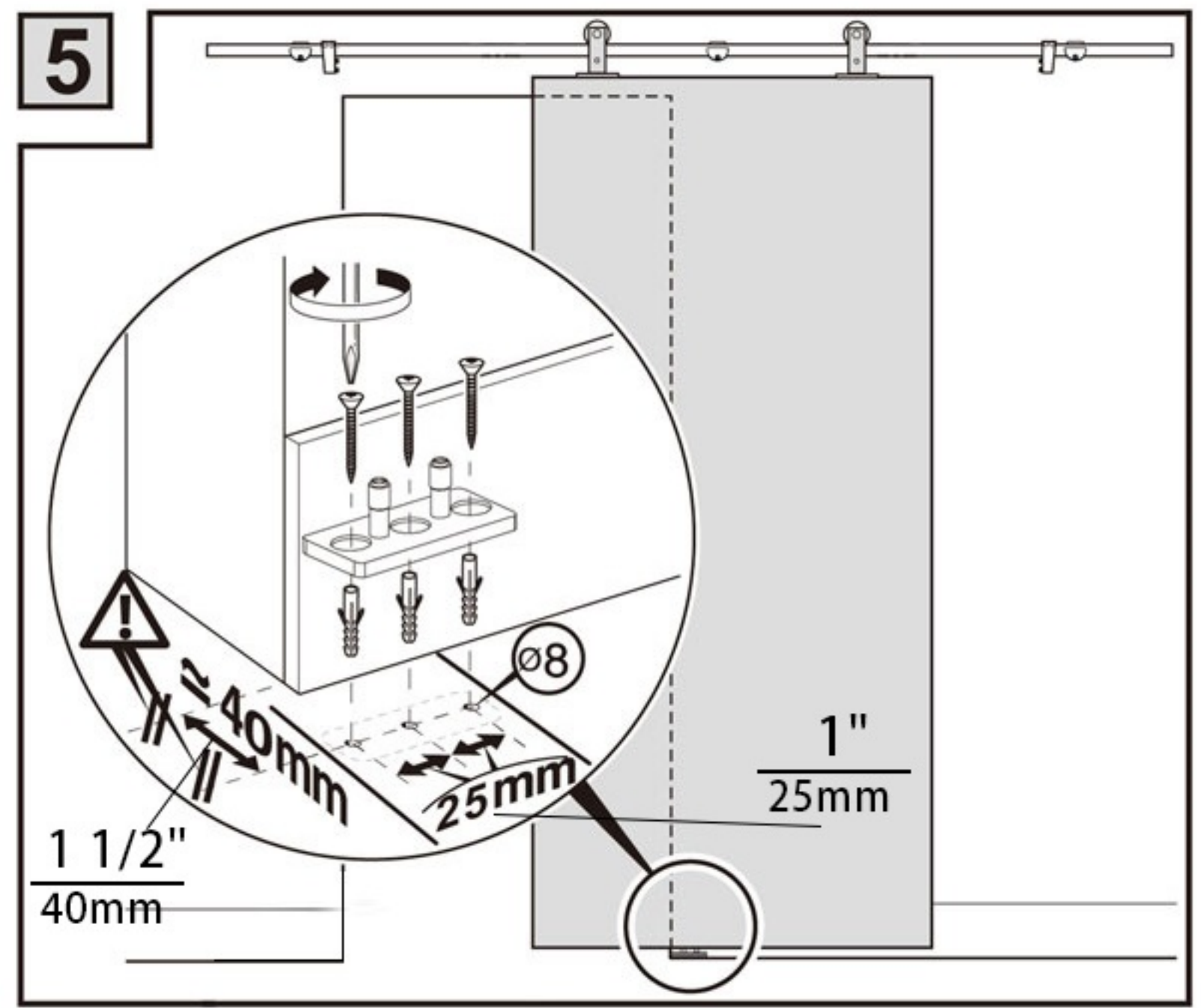
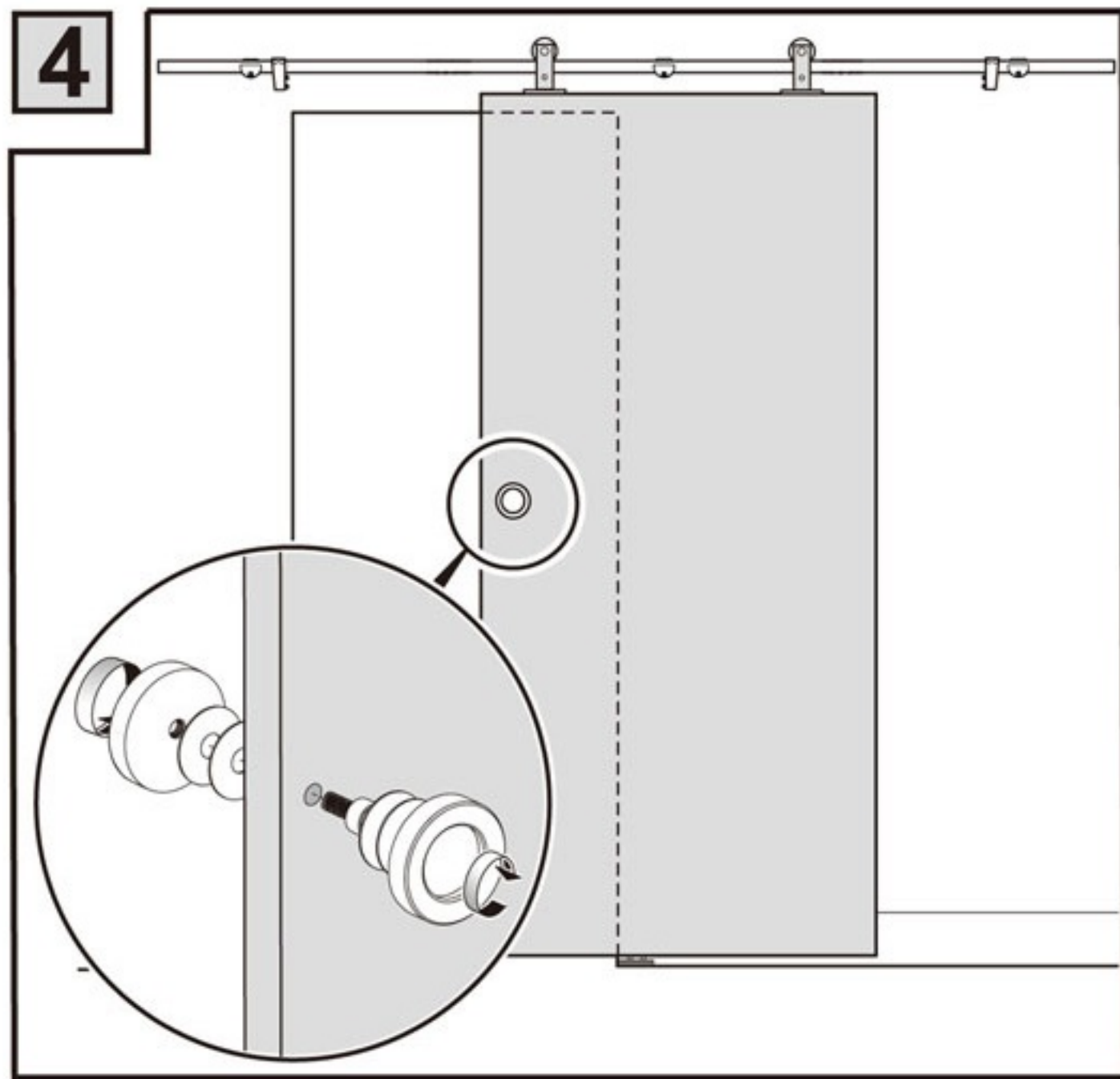
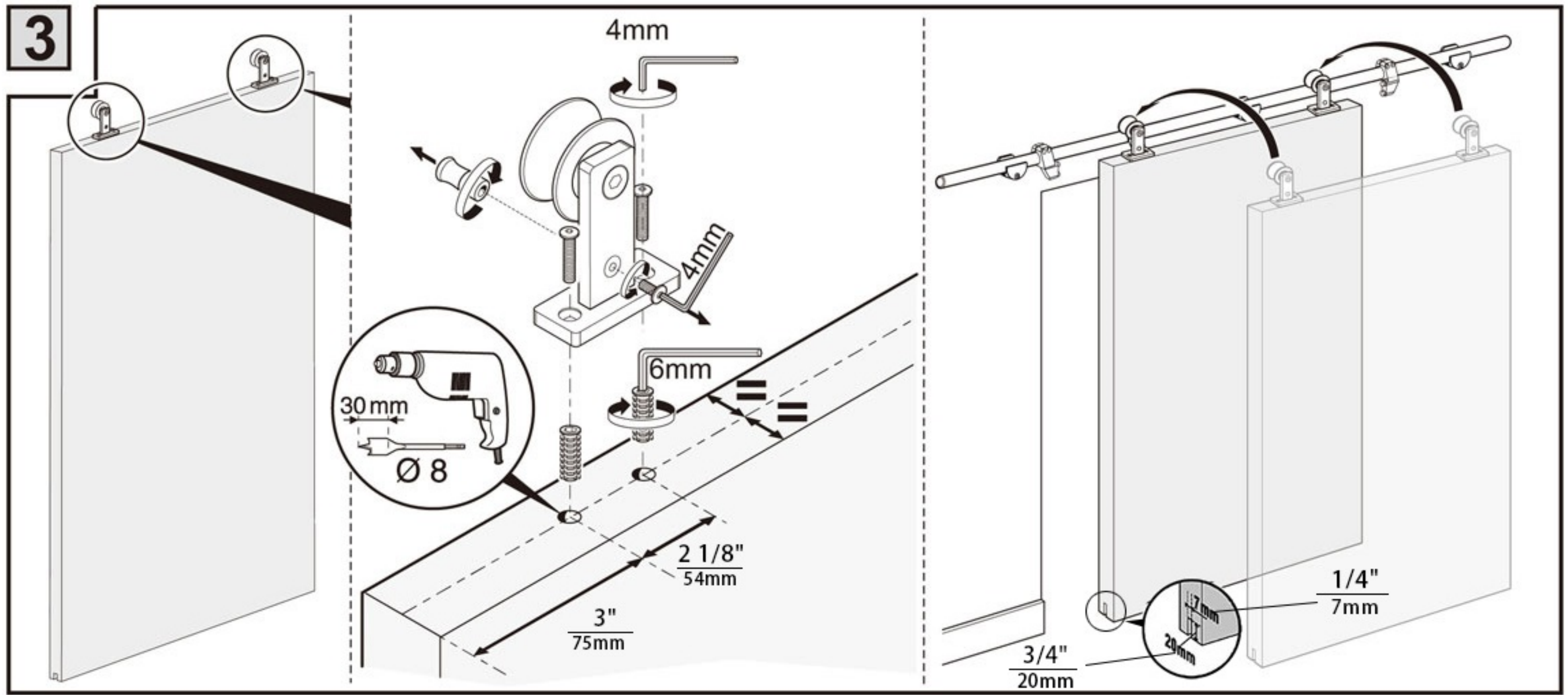


5 FT Wooden Sliding Door Hardware Installation Manual





NOTE: Connector is only included if you purchase 10 ft (double door) sliding door hardware, it is NOT included if you purchase only one set.