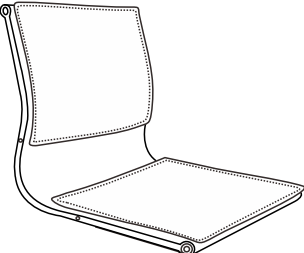
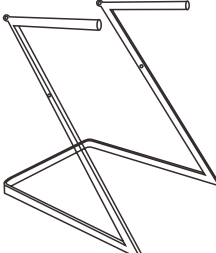





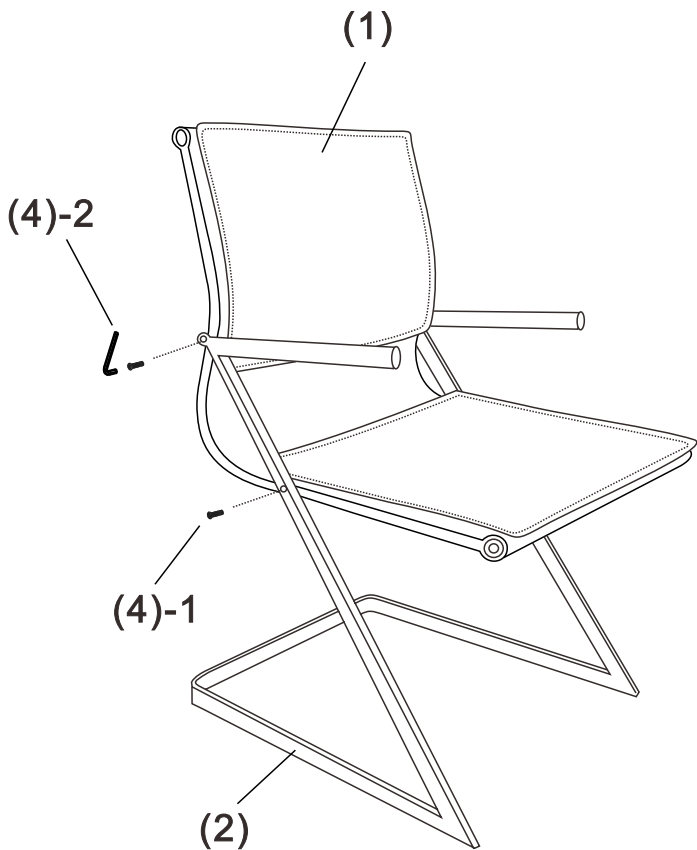
**ITEM NAME /NOM D' ITEM:LIDER PLUS CONFERENCE CHAIR
(BLACK/NOIR)**

PART LIST/Liste des pièces

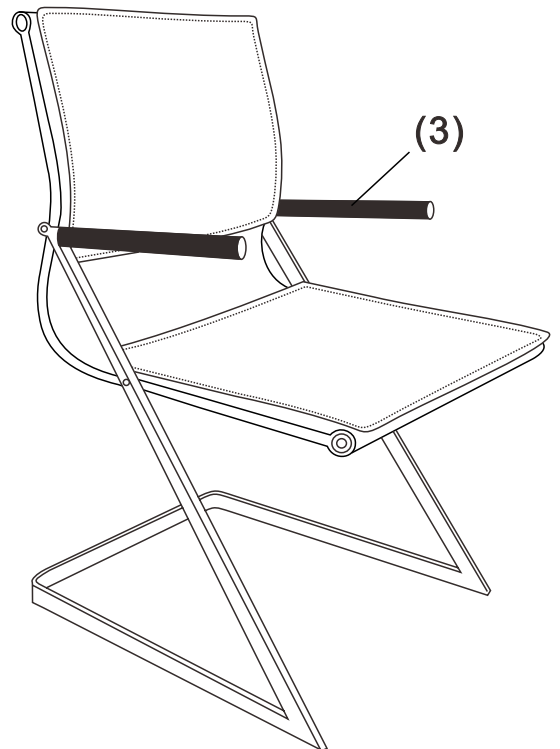
(1)	(2)	(3)	(4)
 X1	 X1	 Arm Cover X2	<p>1.  X4</p> <p>2.  X1</p>

INSTRUCTION

A


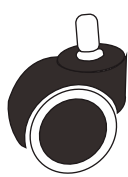

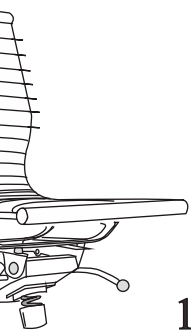
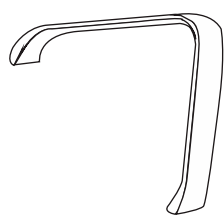
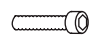




B



E-mail: info@zuomod.com

PART LIST

 1 PC	(2) WHEEL  5PCS	(3) GASLIFT  1 PC
SEAT & BACK  1 PC	(5) ARMREST  2PCS	
1.  X4 6X55MM 2.  X4 3.  X1 5MM		

INSTRUCTION

