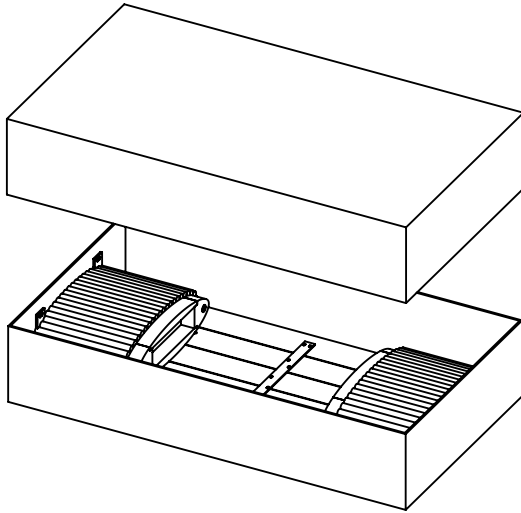





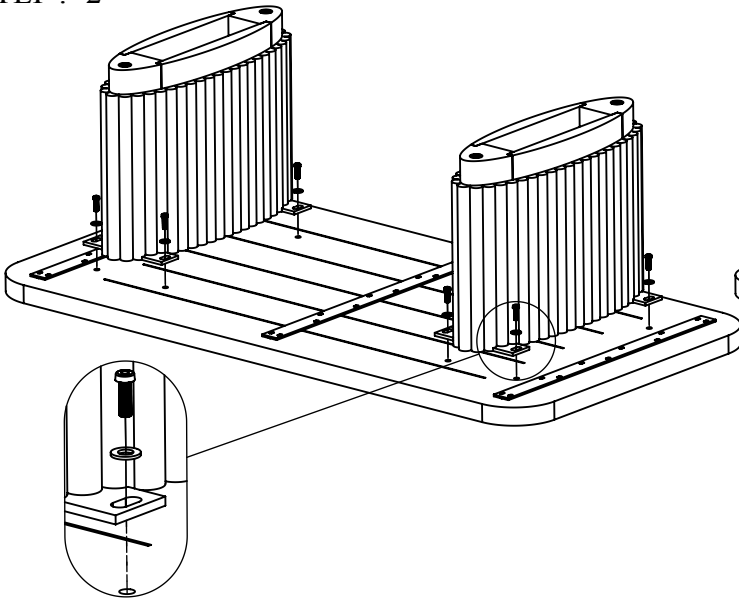


STEP :- 1

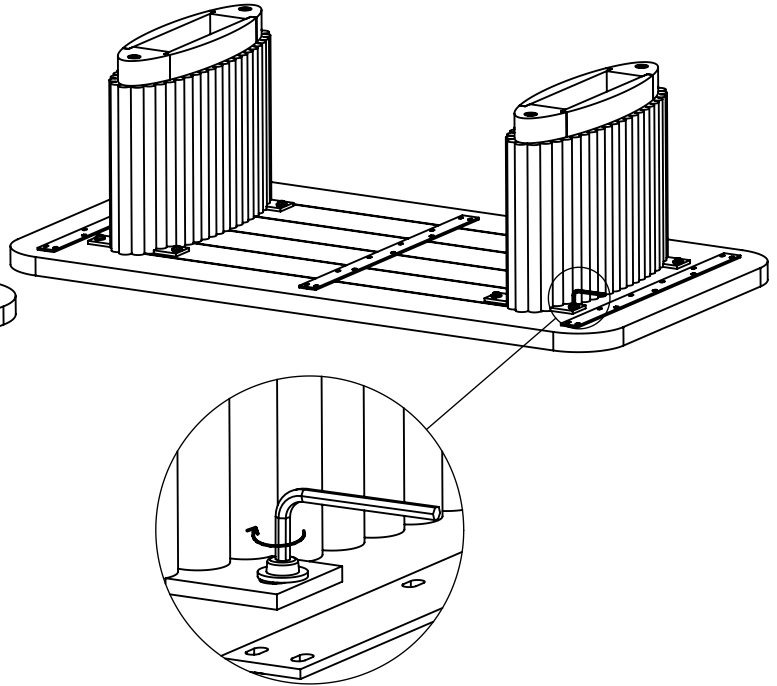


S.NO.	ITEM	DESCRIPTION	QUANTITY
1		TOP	1
2		BASE	2
3		BOLT M8 X 25 mm	8
4		WASHER M8 X 25 mm	8
5		ALLENKEY 5mm	1

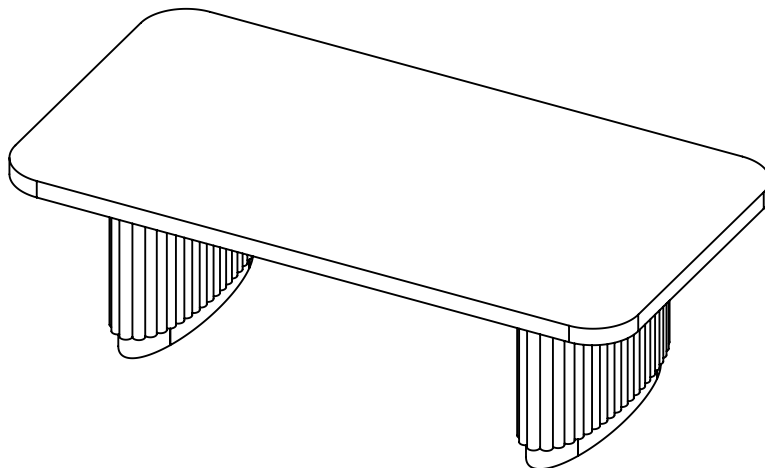
STEP :- 2



STEP :- 3



STEP :- 4



NOTE :- ASSEMBLE THE PRODUCT ON MAT OR CARPET