







Assembly Instructions

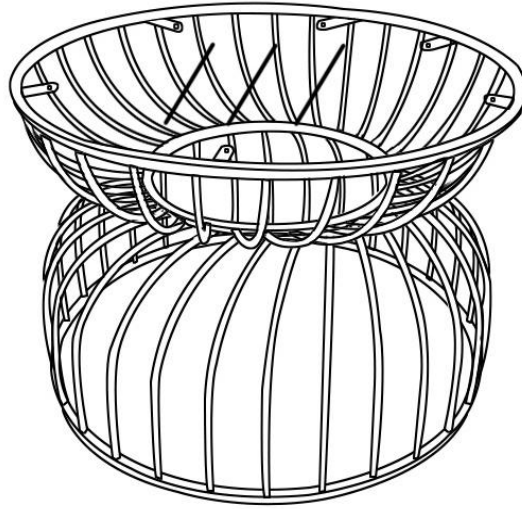
Caution : You must read this before you proceed

Care & Maintenance

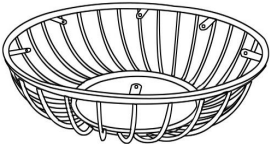
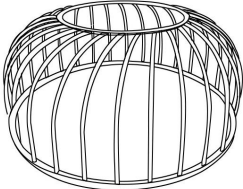
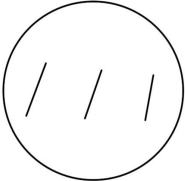
-  ● Not for commercial use. For residential use only.
 -  ● Furniture may scratch floors. We recommend using furniture pads to protect your floors.
 -  ● Do not put hot items directly on furniture surface.
 -  ● Do not clean furniture with harsh cleansers or polish.
 -  ● Do not place furniture under direct sunlight.
 -  ● Do not place furniture near heating or cooling vents.
 -  ● Do not write on furniture without a padded barrier to protect the surface.
 -  ● Do not place furniture outside . For indoor use only.
 -  ● Stains may be removed with mild soap solution and damp cloth.
 -  ● Children should not climb or jump on the furniture.
-
-  ● Dust and pick-up spills using a clean, non-colored, lint-free cloth.

Please look in Coffee Table for hardware packs and legs.
Sets often ship in multiple boxes and may arrive a day or two apart.

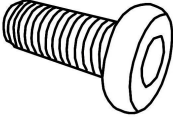



Coffee Table



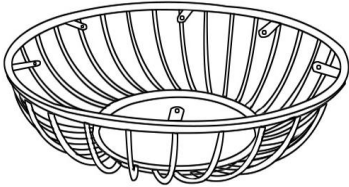
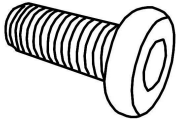
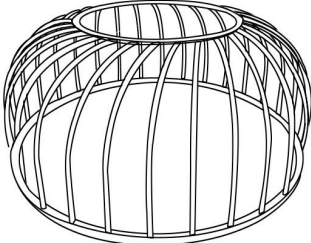

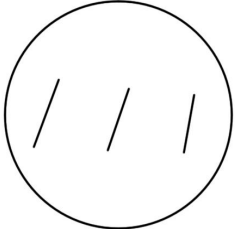


Parts List

Label	Picture	Description	QTY
A		Top	1
B		Bottom	1
C		Glass top	1

Hardware

Label	Picture	Description	QTY
①		Bolt (M6*15MM)	5
②		Allen Wrench(M6)	1
③		Glass Suction Cup	7
④		EVA Pad	12

Assembly Preparation

<p>Before Beginning Assembly :</p>	  *5pcs	 	  *7pcs
	 *12pcs		



- Read instructions, cover to cover-



- Have 2 adults on hand for assembly-



- Do not assemble on flooring or carpet-



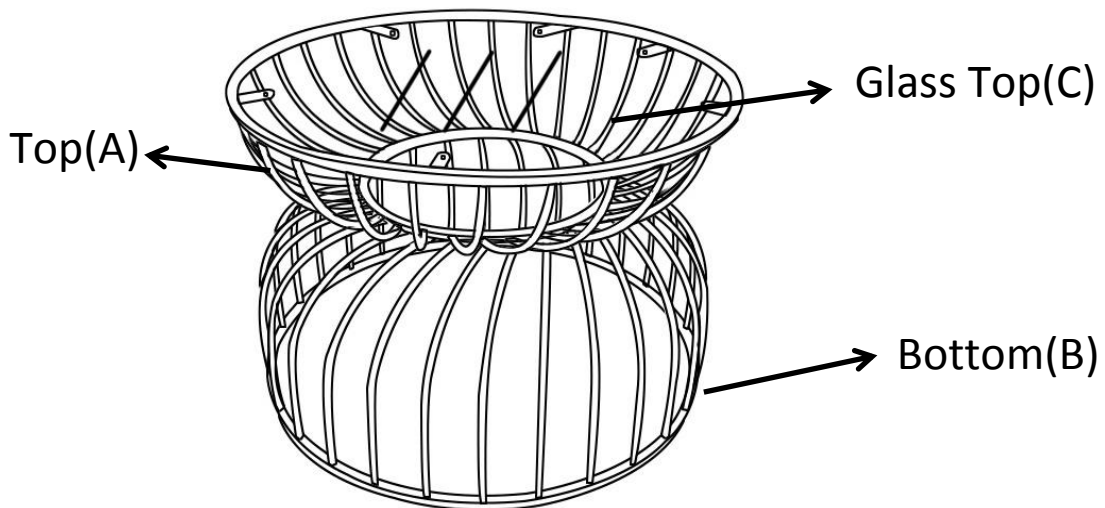
- Assemble on a clean non-marring surface (packing foam)-



- Save all packaging until finished-

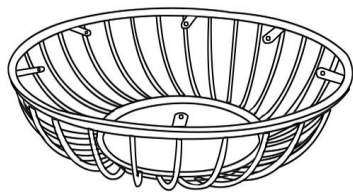
Assembly Steps

Overview

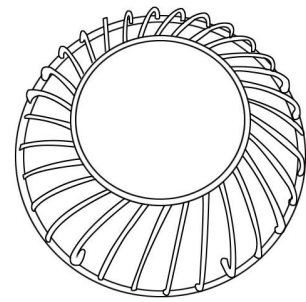


This Coffee Table has multiple parts and may require up to some 30 minutes to assemble. To give you an overview of the A~C parts, the above picture is to help you put the various parts into perspective. Please read through the instructions below to familiarise yourself with the parts and steps before assembly.

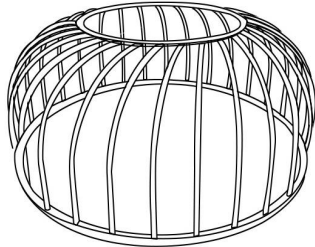
Step 1



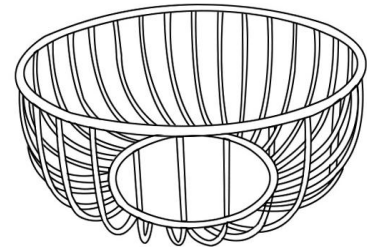
A



A



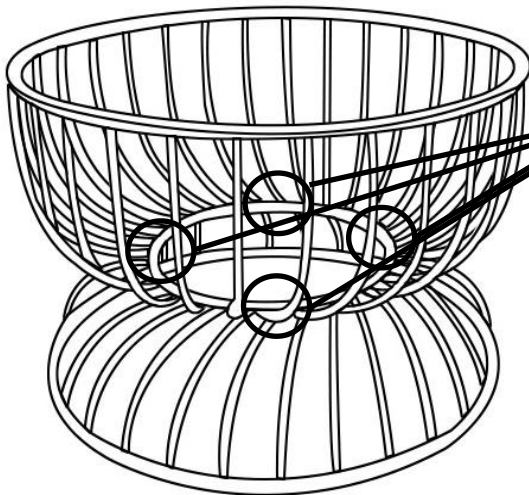
B



B

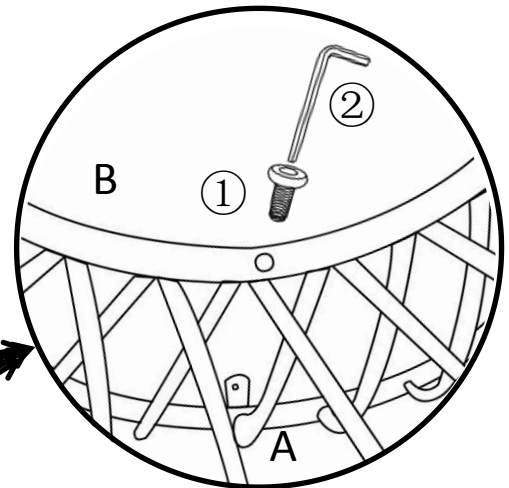
Lay the Top(A)&Bottom(B) facedown, onto a clean, non-marring surface.

Step 2



B

A

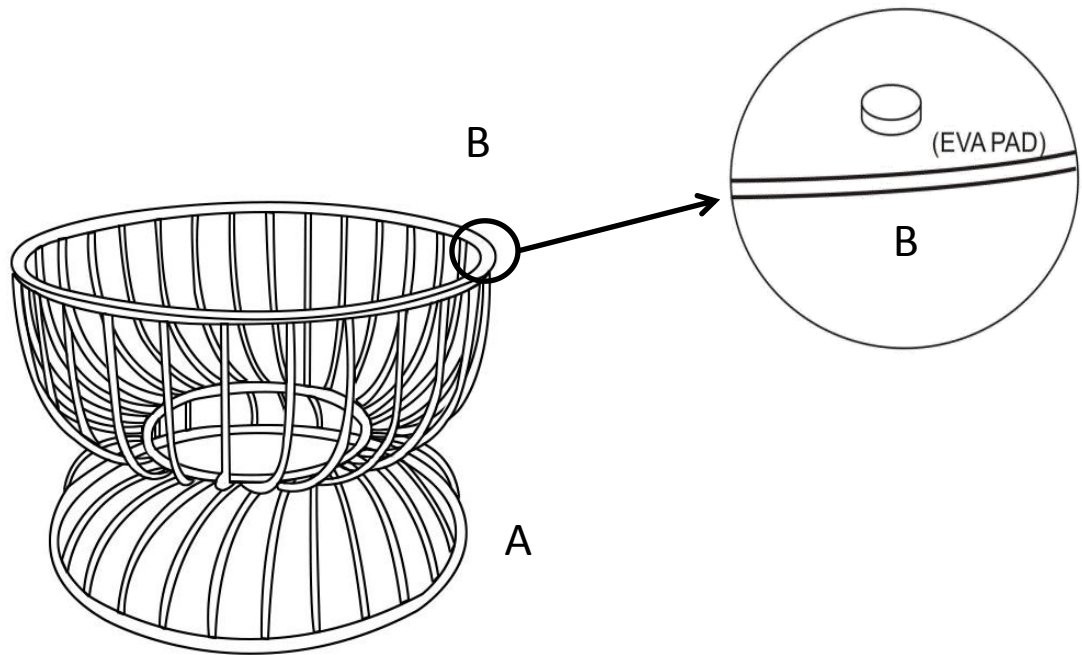


B

A

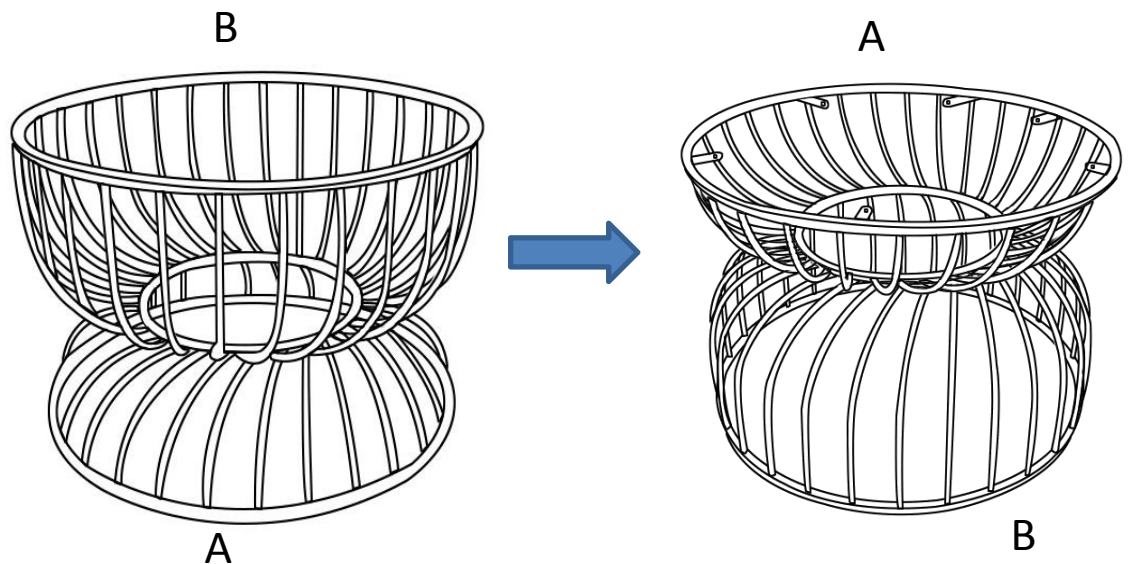
Attach the Bottom (B) to Top (A) using Bolts(②) with Allen Wrench(①).
Tighten all Nuts, in a sequential manner.

Step 3



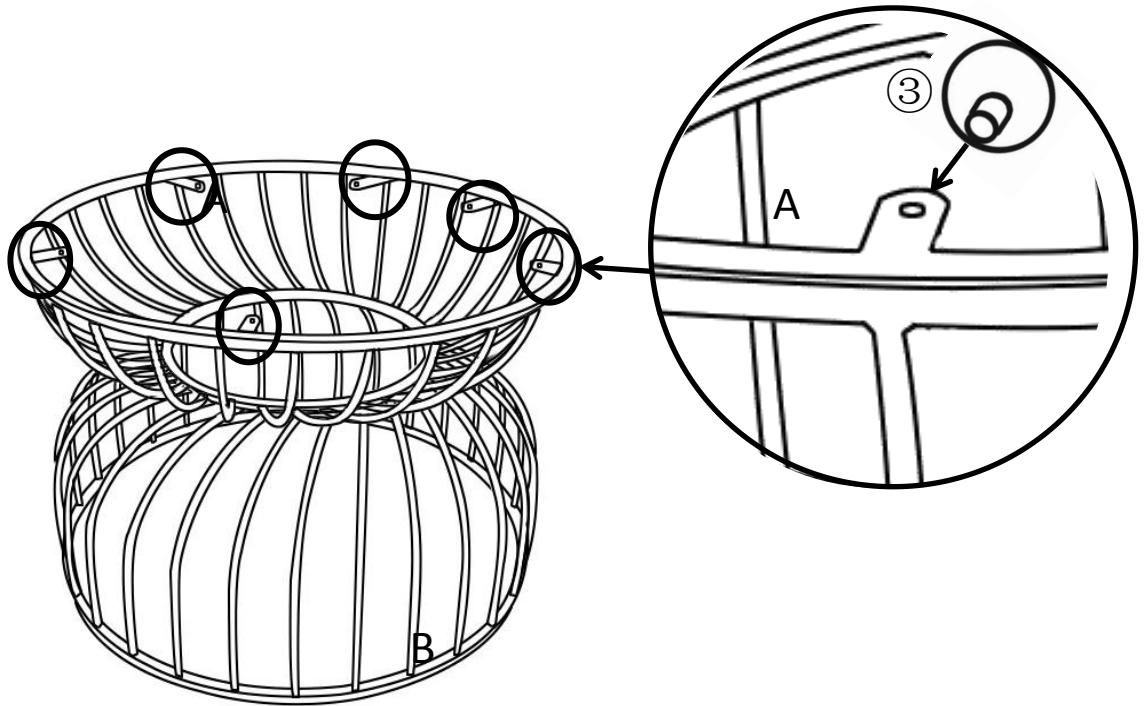
Using EVA pads to protect your floors. A product usually uses 6pcs EVA pads, the remaining 6pcs spare.

Step 4



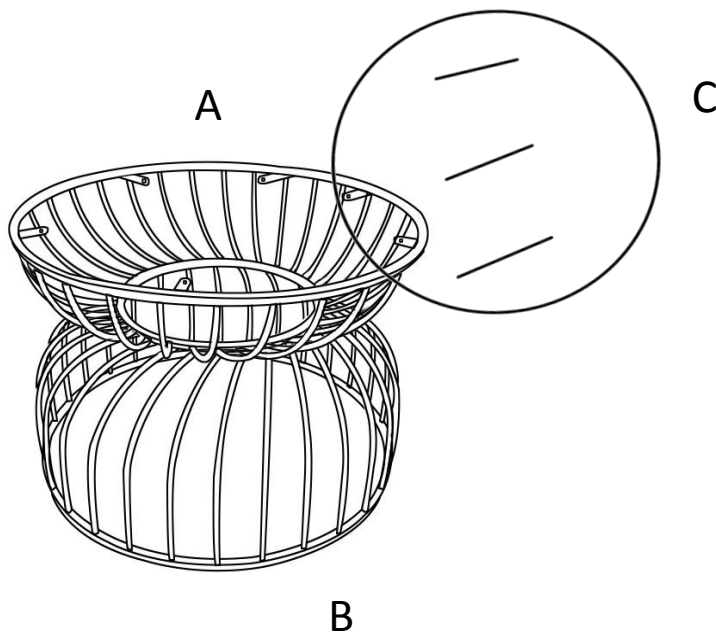
Stand the Table up.

Step 5



Attach Glass Suction Cups(③) to Top (A) as shown.

Step 6

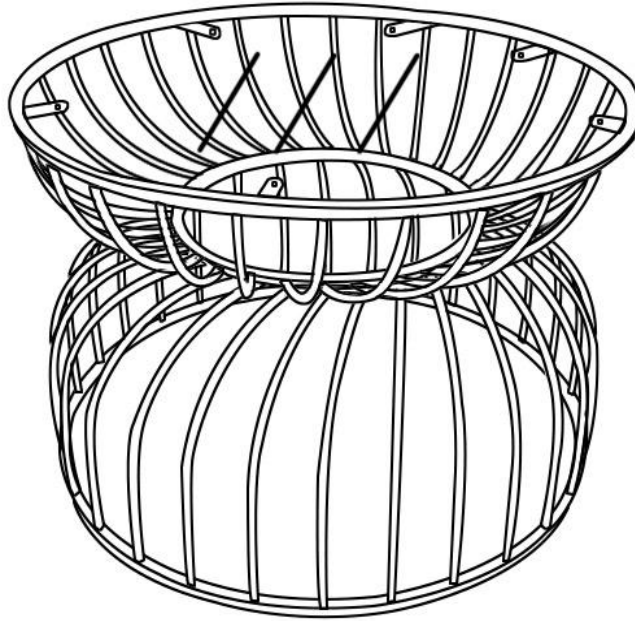


Carefully, insert Glass Top (C) into Top (A)

Gently press down on the Glass Top after you put them into the frame.

Please pressure down on each corner to adjust the gap between glass and frame.

Step 7



Your Coffee Table is ready for use.
This Coffee Table can only be used on a flat, level surface.