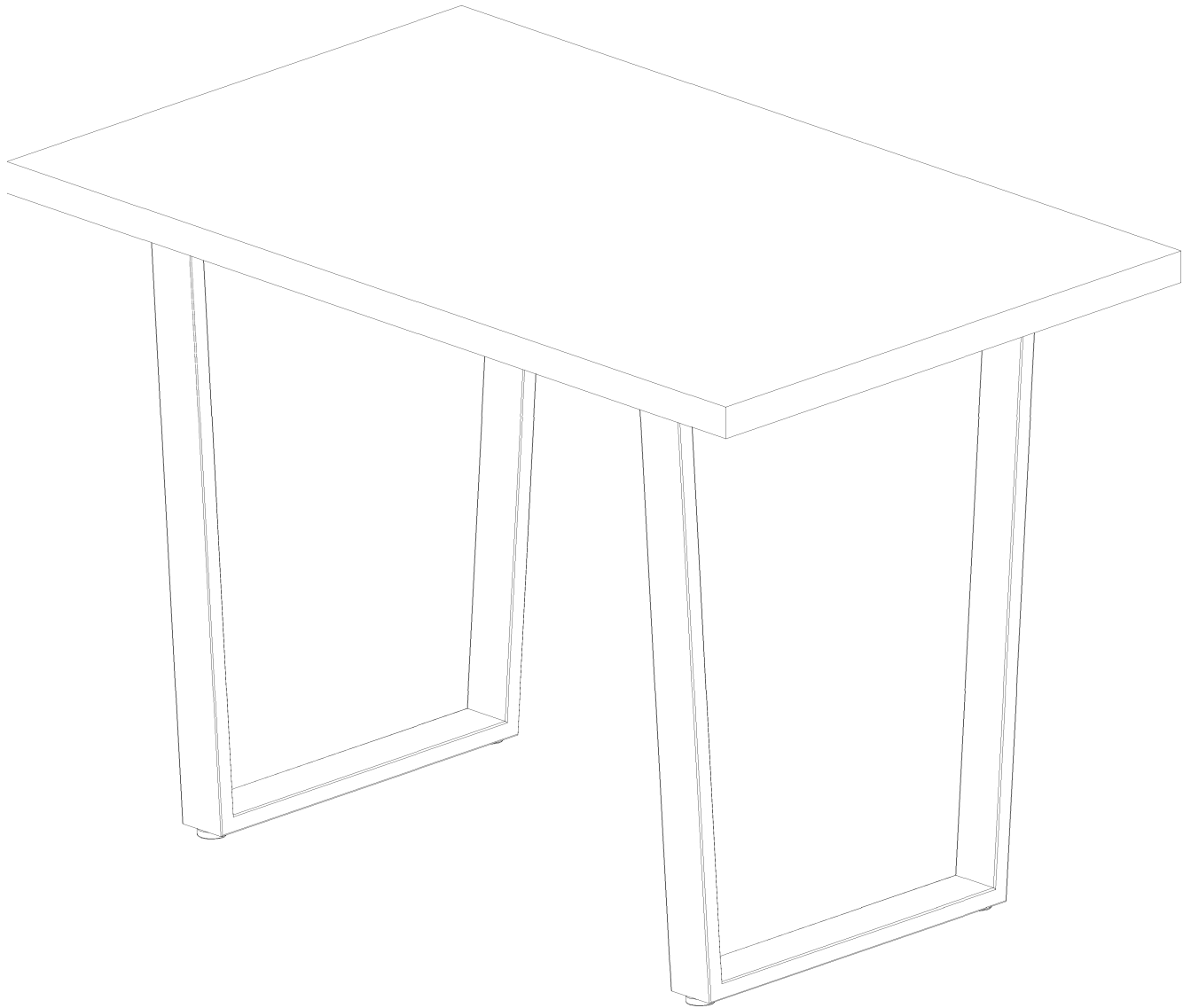
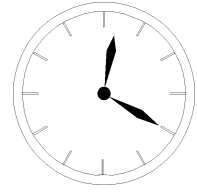
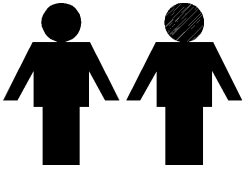
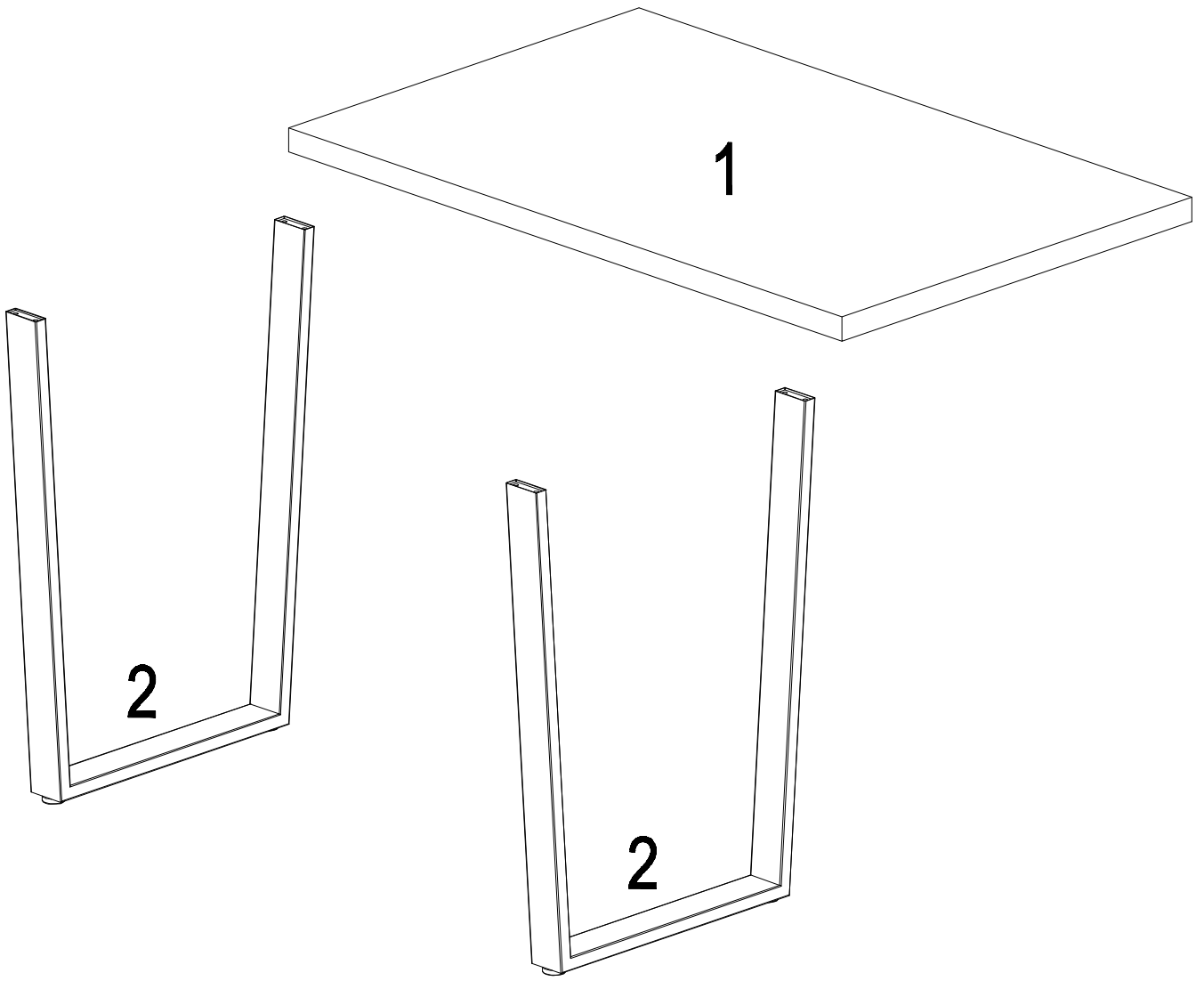
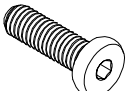
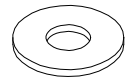


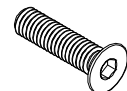
ASSEMBLY INSTRUCTIONS

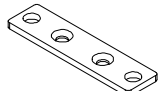


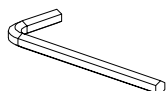



+Spare X 1	
A	x 9
	
M8*18mm	

+Spare X 1	
B	x 9
	
Ø16*1.5mm	

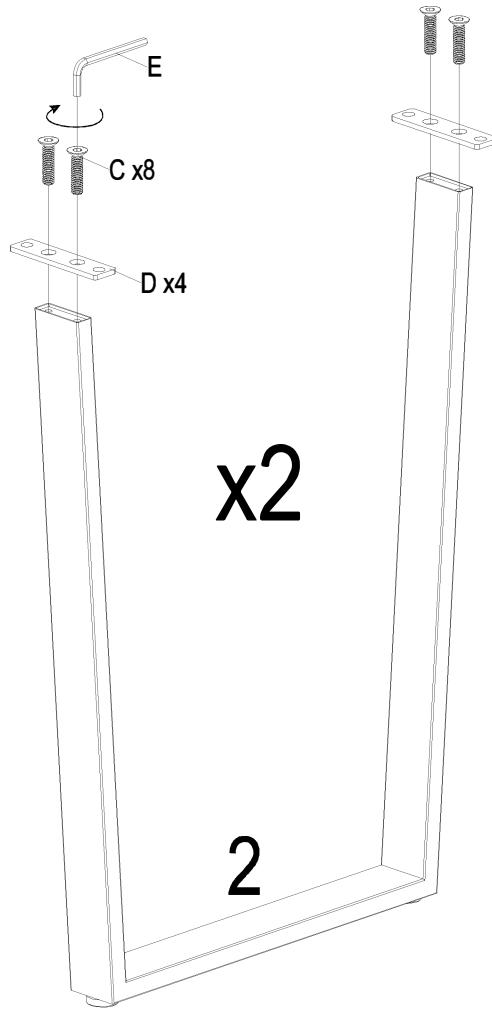
+Spare X 1	
C	x 9
	
M8*15mm	

D	x 4
	
120*30*5mm	

E	x 1
	
5mm	


+Spare X 1	
F	x 9
	

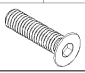
1

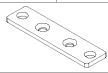


x2

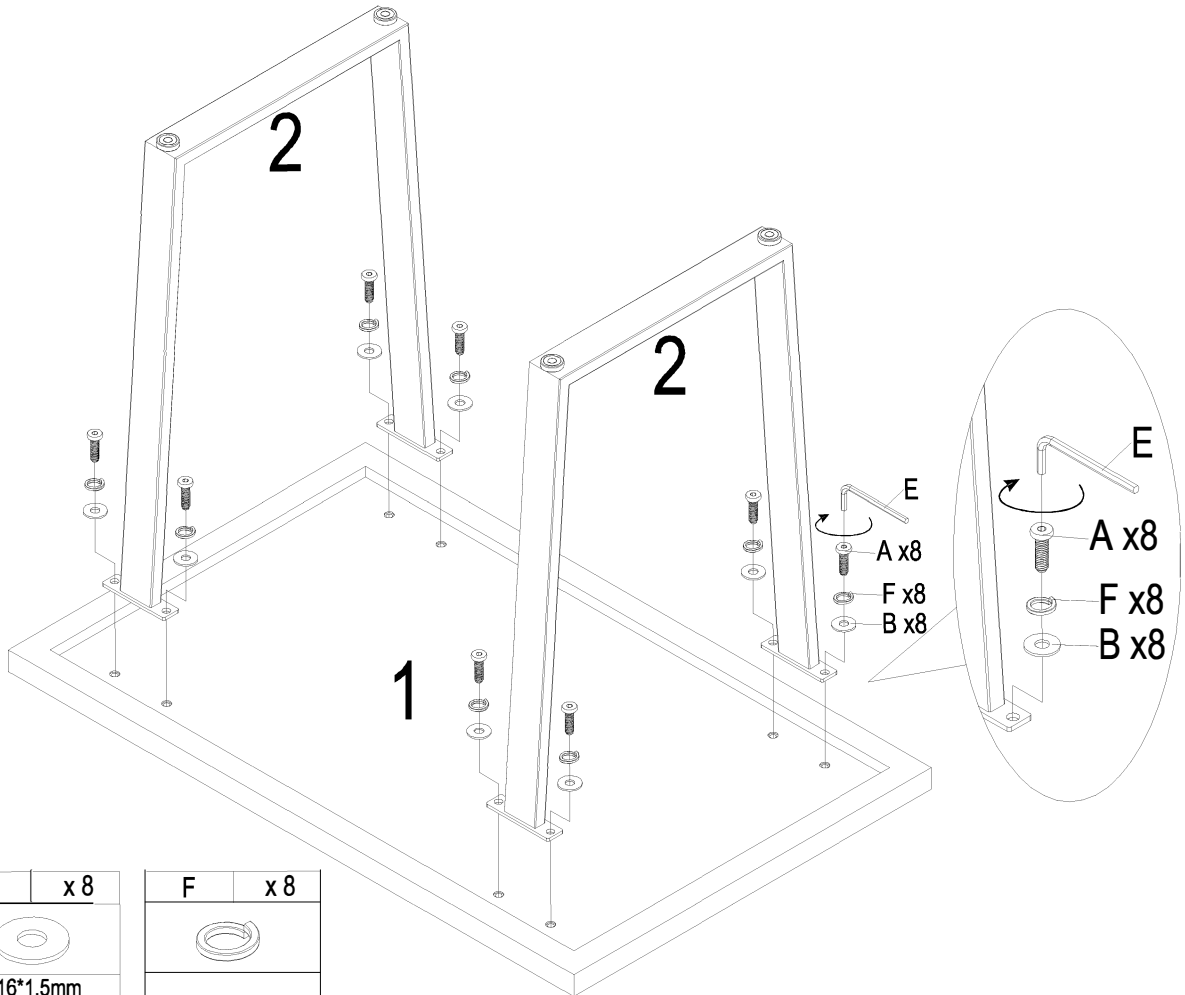
2

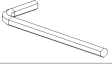
E	x 1
	
5mm	

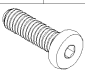
C	x 8
	
M8*15mm	


D	x 4
	
120*30*5mm	

2



E	x 1
	
5mm	

A	x 8
	
M8*18mm	

B	x 8
	
Ø16*1.5mm	

F	x 8
