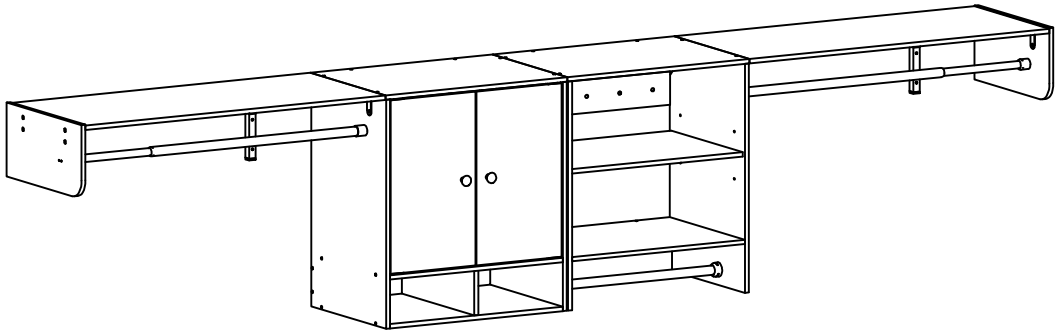
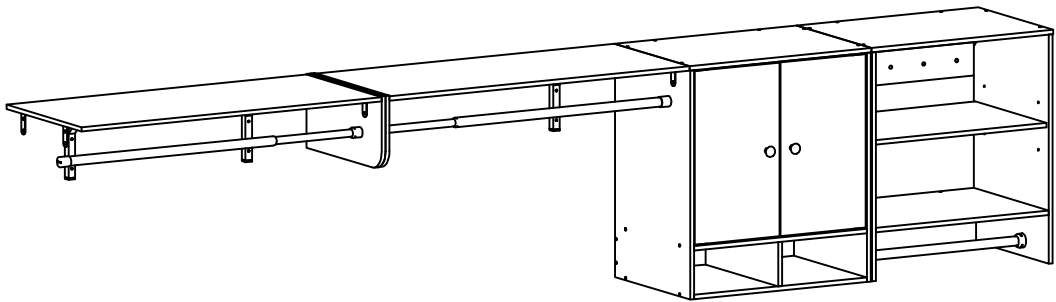


Laundry Organizer with Cabinet

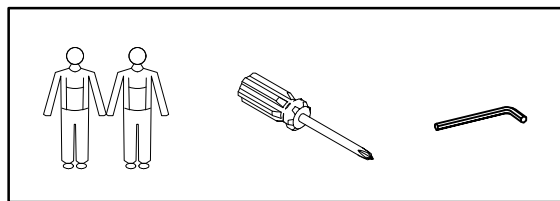
ASSEMBLY INSTRUCTION



Option A



Option B



CAUTION

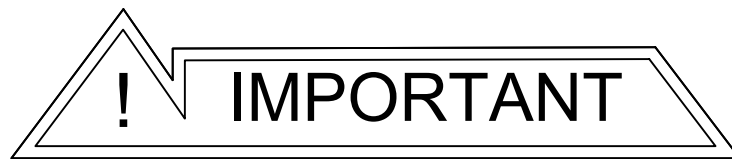
Put the screws in loosely until all pieces are together and then tighten them all.
It will save your time if you make a mistake while installing.

Dear Customers,

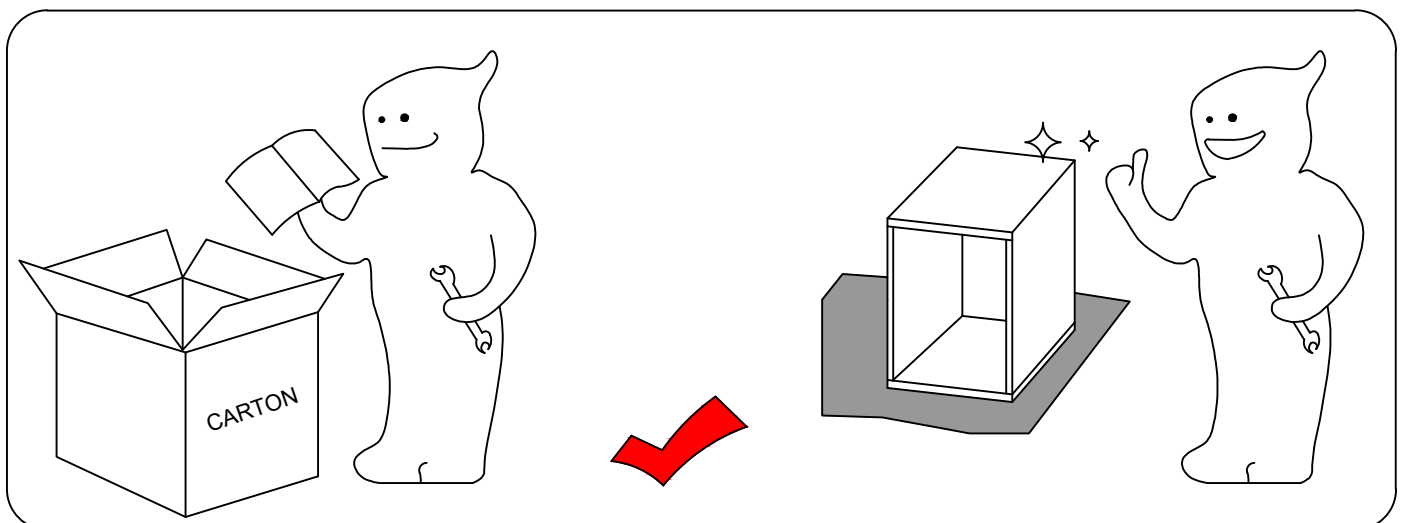
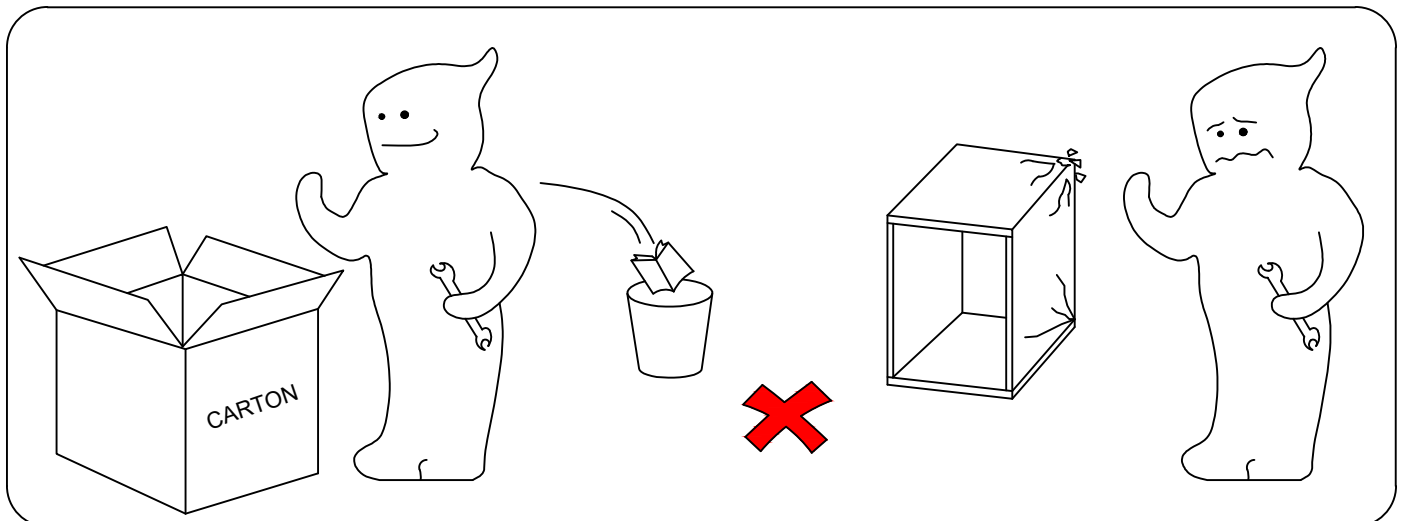
Thank you for purchasing our products.

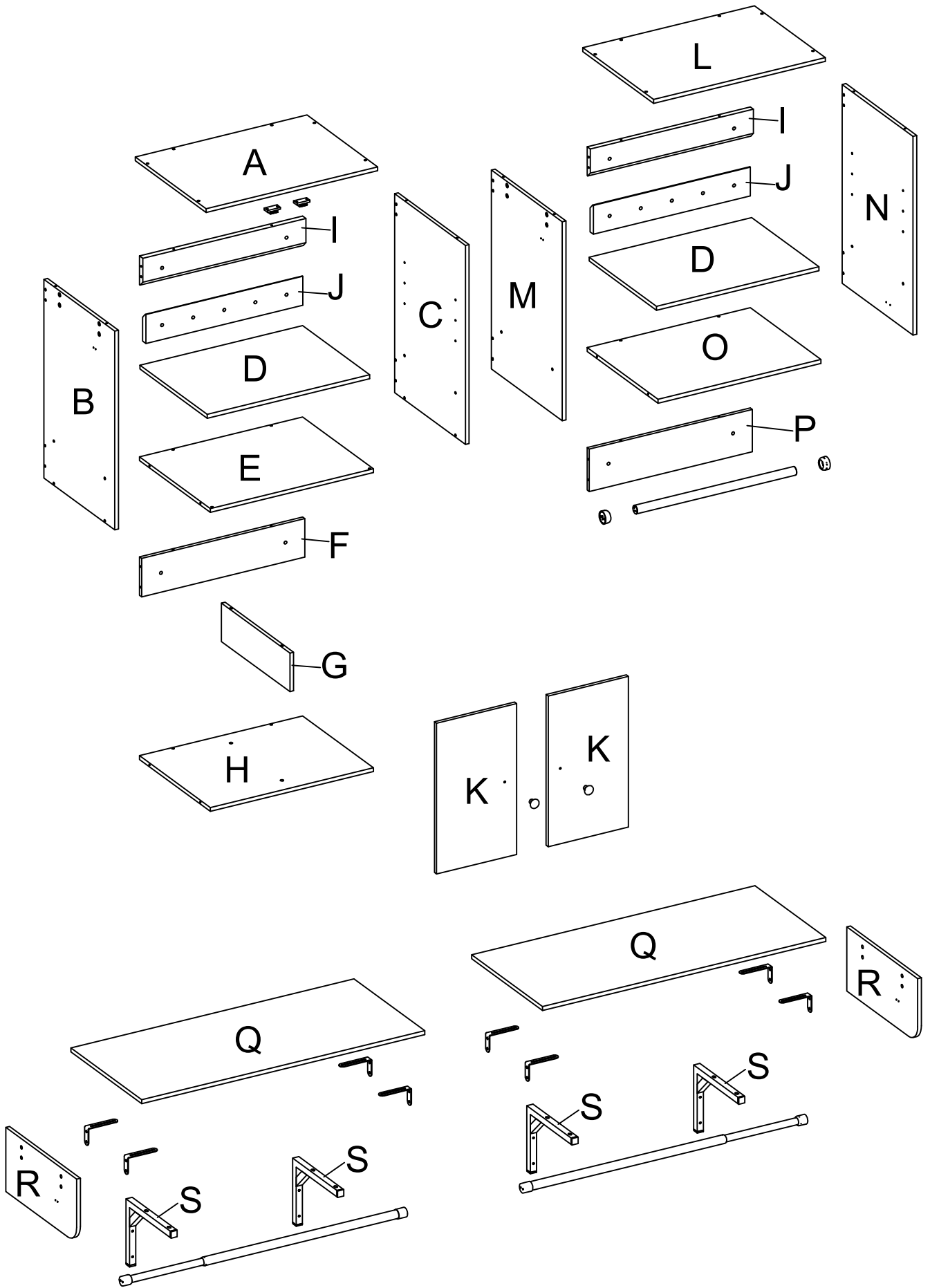
As a reliable seller, we have been pursuing to provide customers with 100% satisfied products and services, so we hope that you will enjoy this shopping experience.

If you find any damage, missing parts, or dissatisfaction after receiving the product, please contact us freely at the first time. We will provide you with a 100% satisfactory solution.

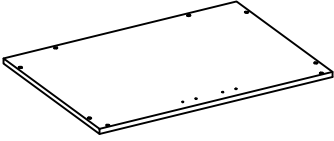
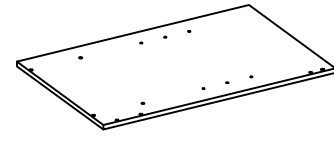
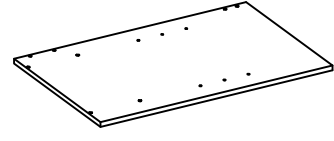
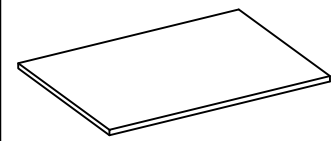
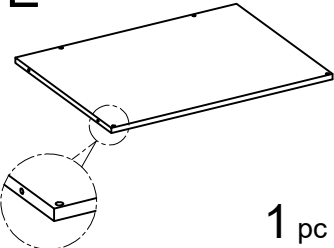
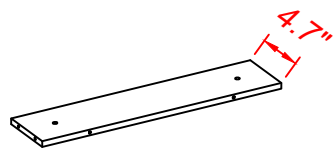
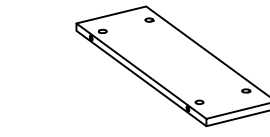
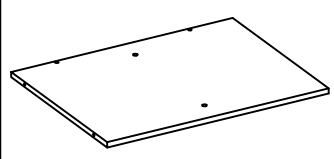
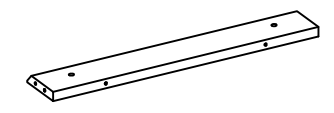
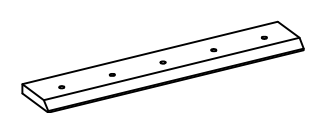
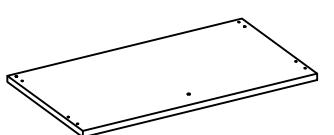
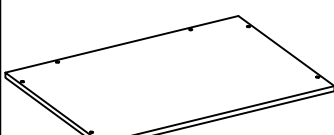
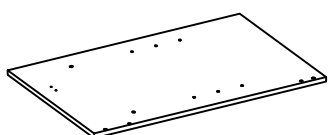
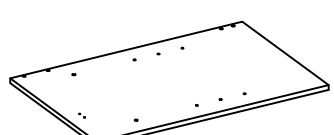
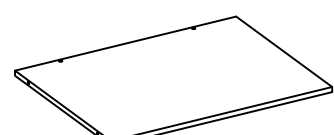
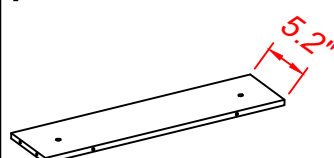

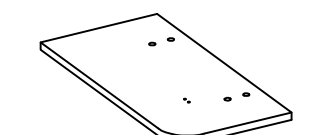
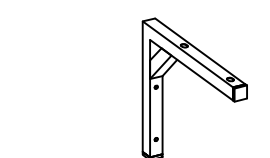


Please follow the instruction manuals and use a pad to protect the product during your assembly.

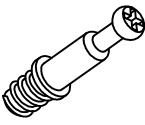

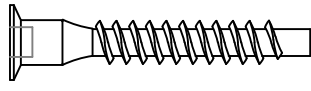

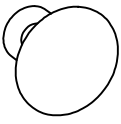
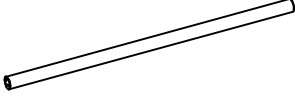


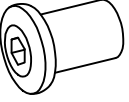
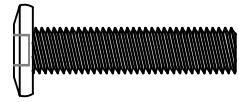
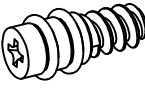
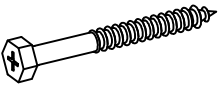

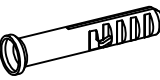

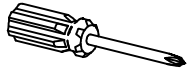

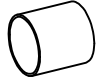
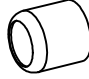

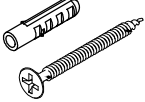
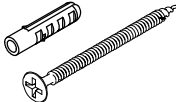
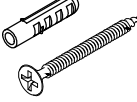

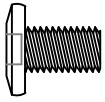
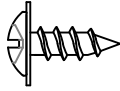
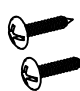
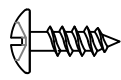
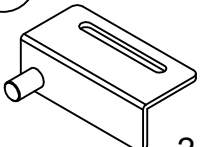
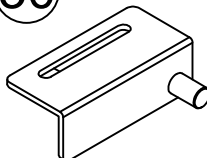
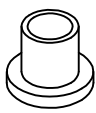
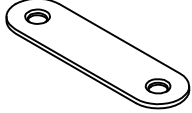
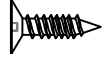




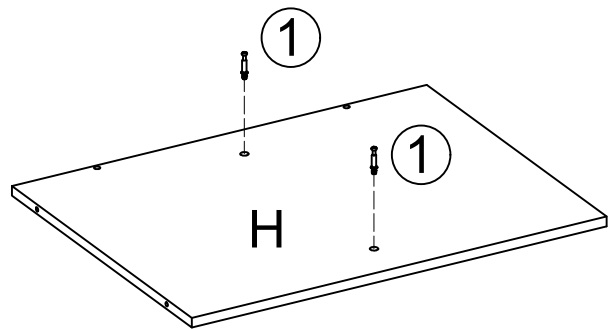
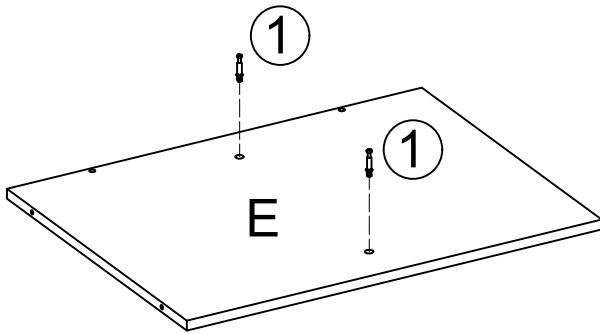
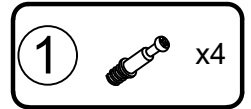
PART LIST

<p>A</p>  <p>1 pc</p>	<p>B</p>  <p>1 pc</p>	<p>C</p>  <p>1 pc</p>	<p>D</p>  <p>2 pcs</p>
<p>E</p>  <p>1 pc</p>	<p>F</p>  <p>1 pc</p>	<p>G</p>  <p>1 pc</p>	<p>H</p>  <p>1 pc</p>
<p>I</p>  <p>2 pcs</p>	<p>J</p>  <p>2 pcs</p>	<p>K</p>  <p>2 pcs</p>	<p>L</p>  <p>1 pc</p>
<p>M</p>  <p>1 pc</p>	<p>N</p>  <p>1 pc</p>	<p>O</p>  <p>1 pc</p>	<p>P</p>  <p>1 pc</p>
<p>Q</p>  <p>2 pcs</p>	<p>R</p>  <p>2 pcs</p>	<p>S</p>  <p>4 pcs</p>	

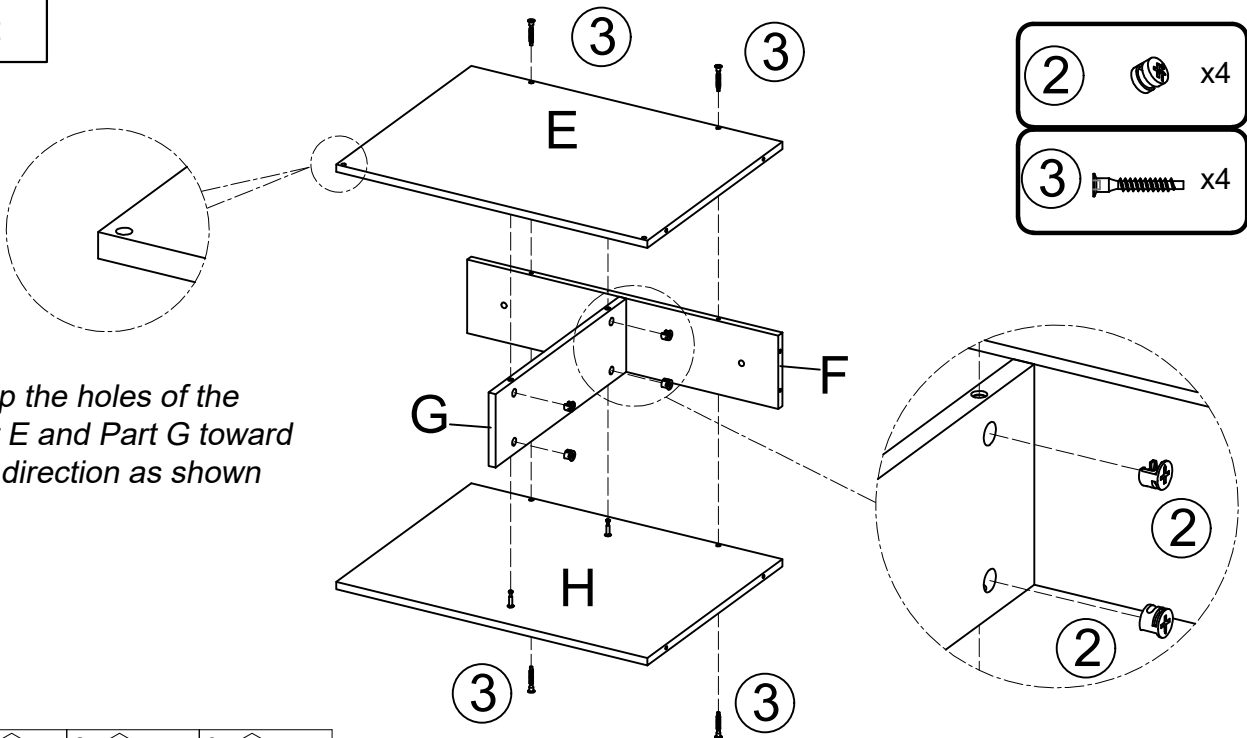
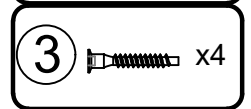
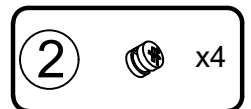
HARDWARE LIST

<p>①</p>  <p>M6x28 4 pcs</p>	<p>②</p>  <p>Ø12 4 pcs</p>	<p>③</p>  <p>M6x40 46 pcs</p>	<p>④</p>  <p>M4x15 2 pcs</p>
<p>⑤</p>  <p>2 pcs</p>	<p>⑥</p>  <p>Ø25x519 1 pc</p>	<p>⑦</p>  <p>2 pcs</p>	<p>⑧</p>  <p>2 pcs</p>
<p>⑨</p>  <p>M6x10 8 pcs</p>	<p>⑩</p>  <p>M6x27 8 pcs</p>	<p>⑪</p>  <p>M6x19 8 pcs</p>	<p>⑫</p>  <p>M8x80 14 pcs</p>
<p>⑬</p>  <p>M8x20x1.0 14 pcs</p>	<p>⑭</p>  <p>M10x60 14 pcs</p>	<p>⑮</p>  <p>M4 2 pcs</p>	<p>⑯</p>  <p>1 pc</p>
<p>⑰</p>  <p>56-100cm 2 pcs</p>	<p>⑱</p>  <p>2 pcs</p>	<p>⑲</p>  <p>2 pcs</p>	<p>⑳</p>  <p>M4x12 12 pcs</p>
<p>㉑</p>  <p>M4x40 2 pcs</p>	<p>㉒</p>  <p>M4x60 8 pcs</p>	<p>㉓</p>  <p>M4x40 4 pcs</p>	<p>㉔</p>  <p>100x55 8 pcs</p>
<p>㉕</p>  <p>M6x10 16 pcs</p>	<p>㉖</p>  <p>M4x12 24 pcs</p>	<p>㉗</p>  <p>M3x16 2 pcs</p>	<p>㉘</p>  <p>M3.5x12 8 pcs</p>
<p>㉙</p>  <p>2 pcs</p>	<p>㉚</p>  <p>2 pcs</p>	<p>㉛</p>  <p>4 pcs</p>	<p>㉜</p>  <p>2 pcs</p>
			<p>㉝</p>  <p>M3x12 4 pcs</p>

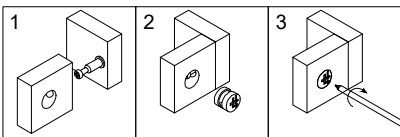
STEP 1



STEP 2



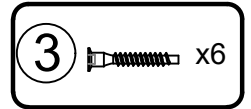
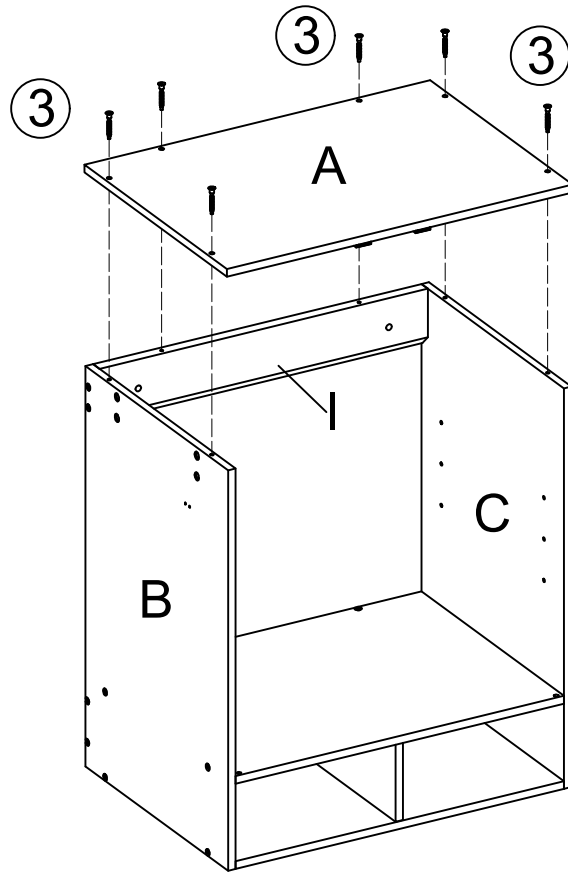
Keep the holes of the Part E and Part G toward this direction as shown



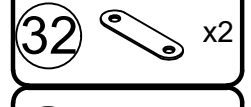
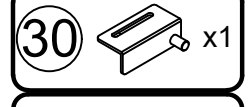
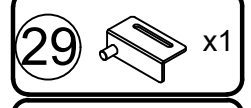
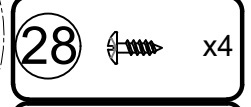
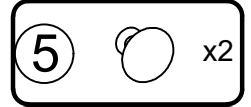
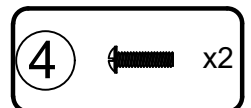
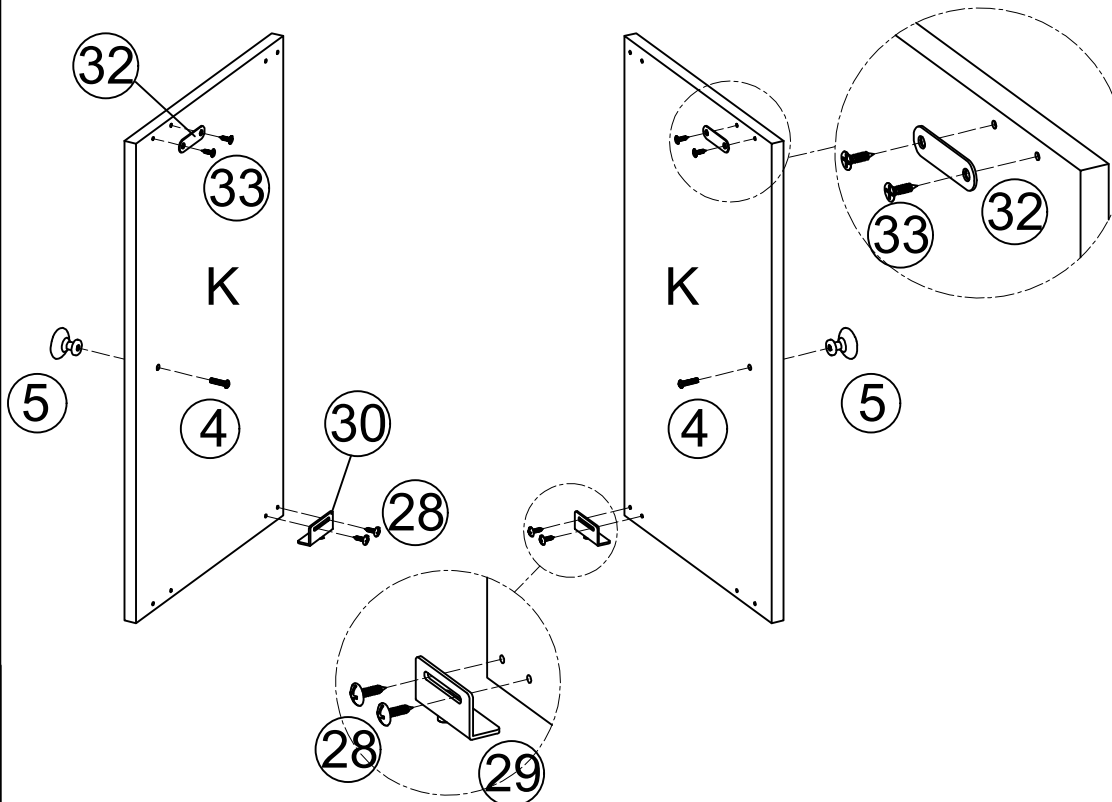
Please point the arrow upward to the mounting hole when installing Part ②, then use screwdriver to tighten it in the "+" direction.

Cam Lock Fastening System

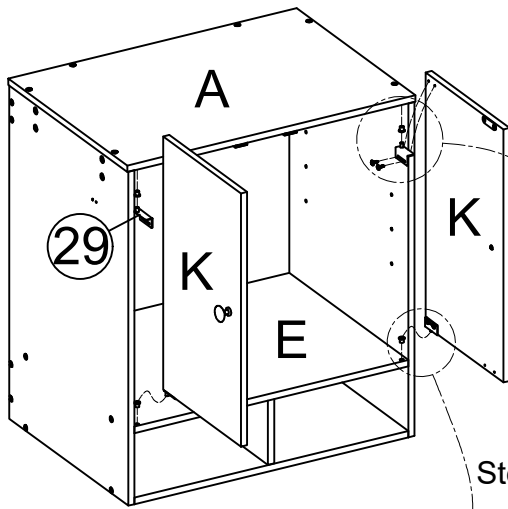
STEP 5







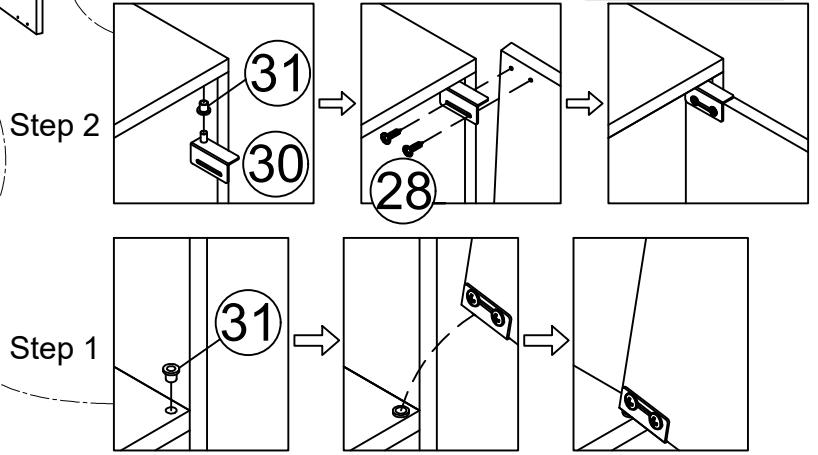
STEP 6



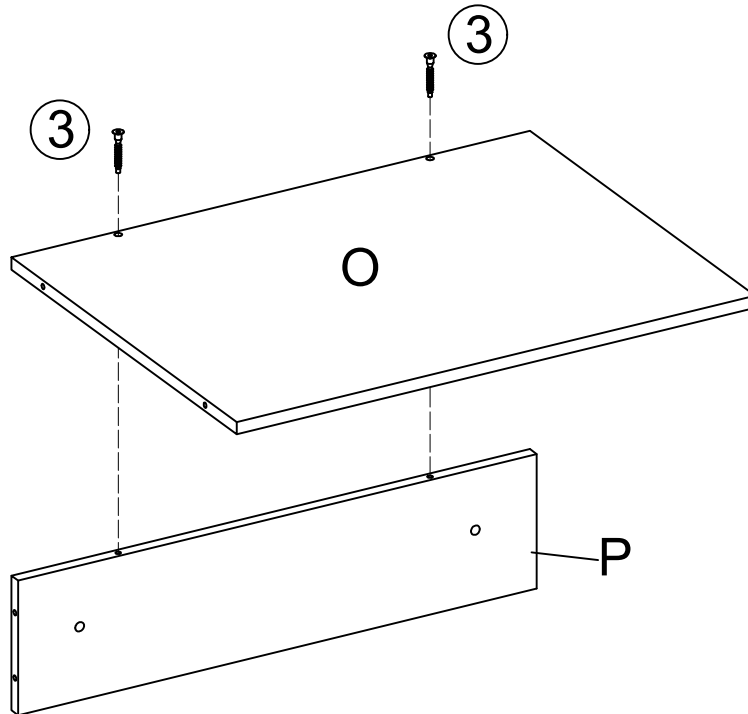
STEP 7

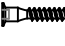


- 28  x4
- 29  x1
- 30  x1
- 31  x4



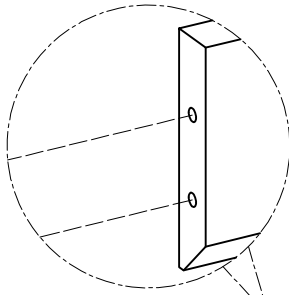
STEP 8



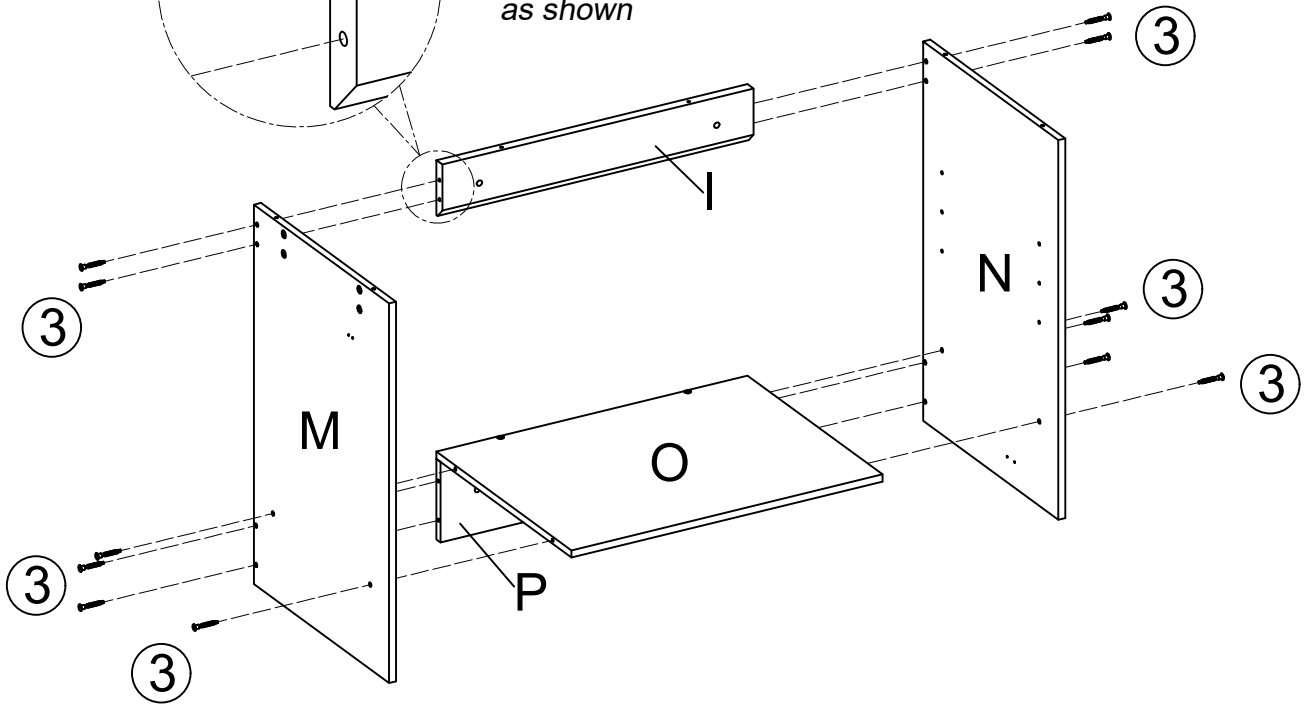
- 3  x2

STEP 9

③  x12

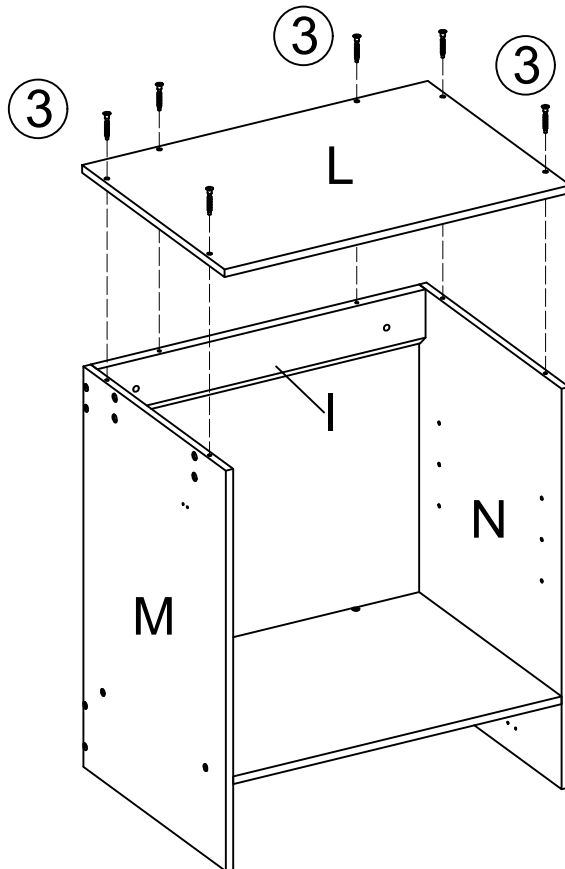


Keep the holes of the Part I toward this direction as shown



STEP 10

③  x6

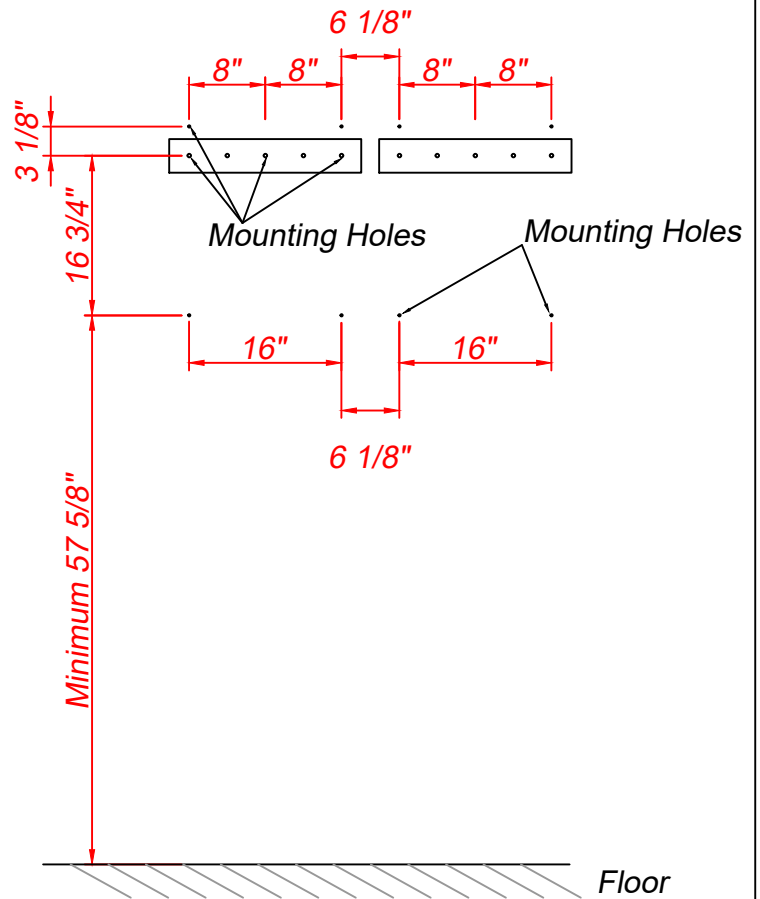


STEP 11

Wall Hanging Installation

Using a stud finder, mark the center line of each wall stud with a vertical reference line. Mark the mounting holes for the wall hanging cleats (J) using a pencil (not included) as shown.

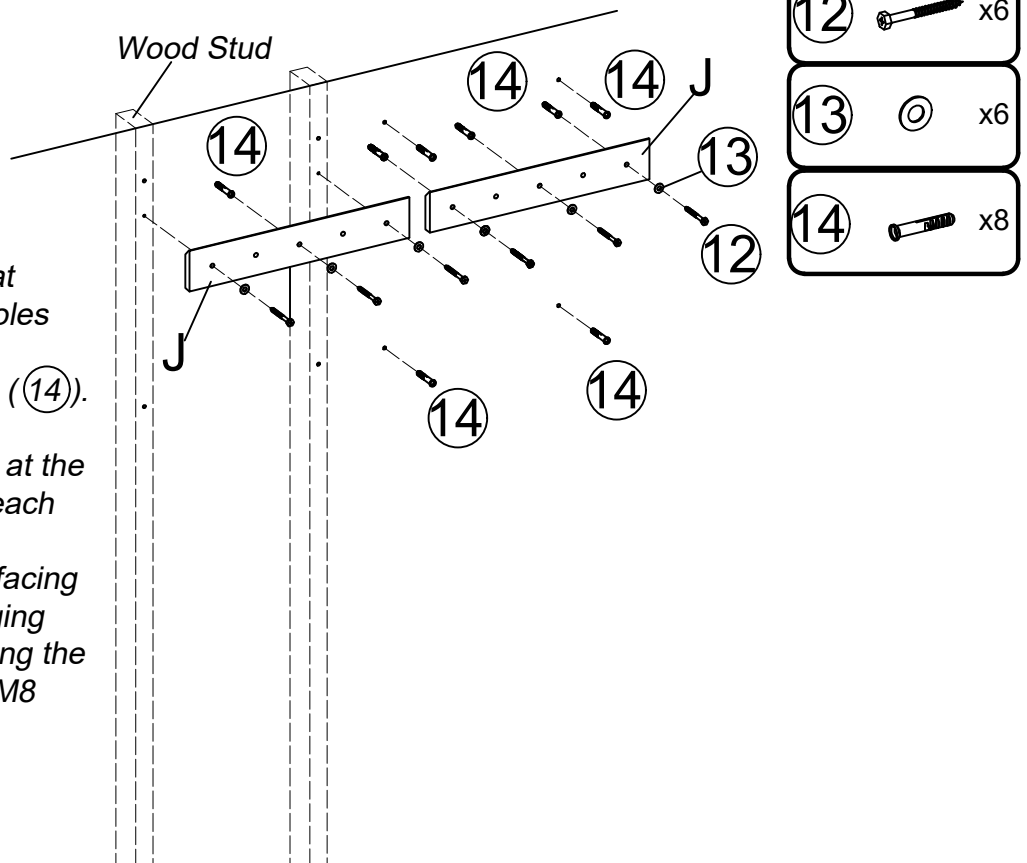
Note: The center of the lower holes should be no less than 57 5/8 in. from the floor.





STEP 12

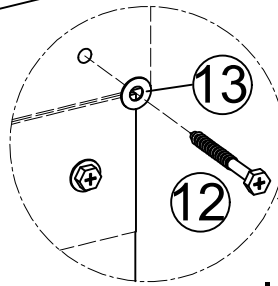
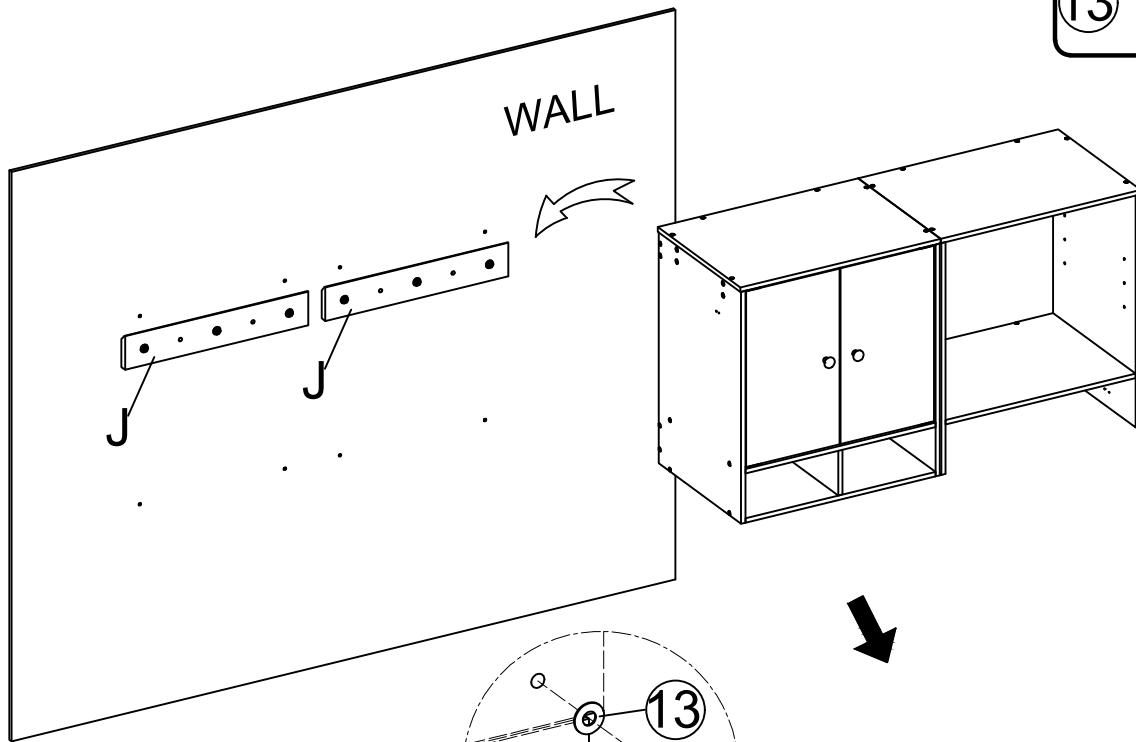
Drill a 3/8 in. pilot hole at each of the mounting holes not marked on a stud. Insert concrete anchors (14).

Drill a 3/16 in. pilot hole at the marked locations over each wall stud. With the beveled edge facing up, attach the wall hanging cleats (J) to the wall using the flat washers (13) and M8 lag bolts (12).

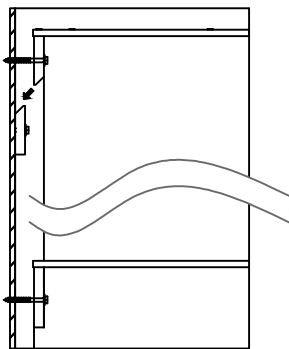
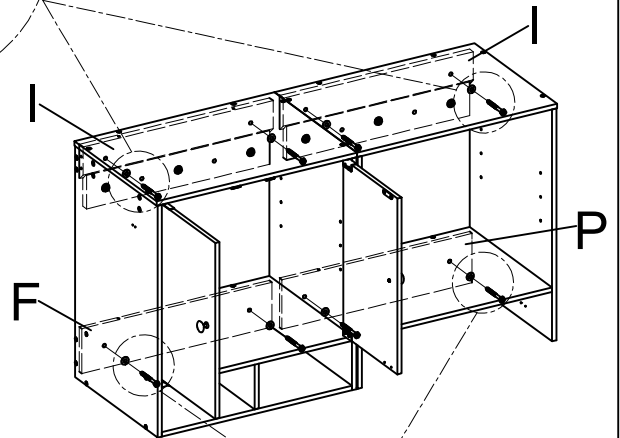


STEP 13

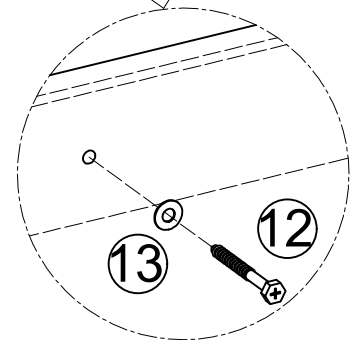
- 12  x8
- 13  x8





With the help from another person, carefully hang the unit onto wall hanging cleat (J). Attach the unit to the wall using the flat washers (13) and M8 lag bolts (12).

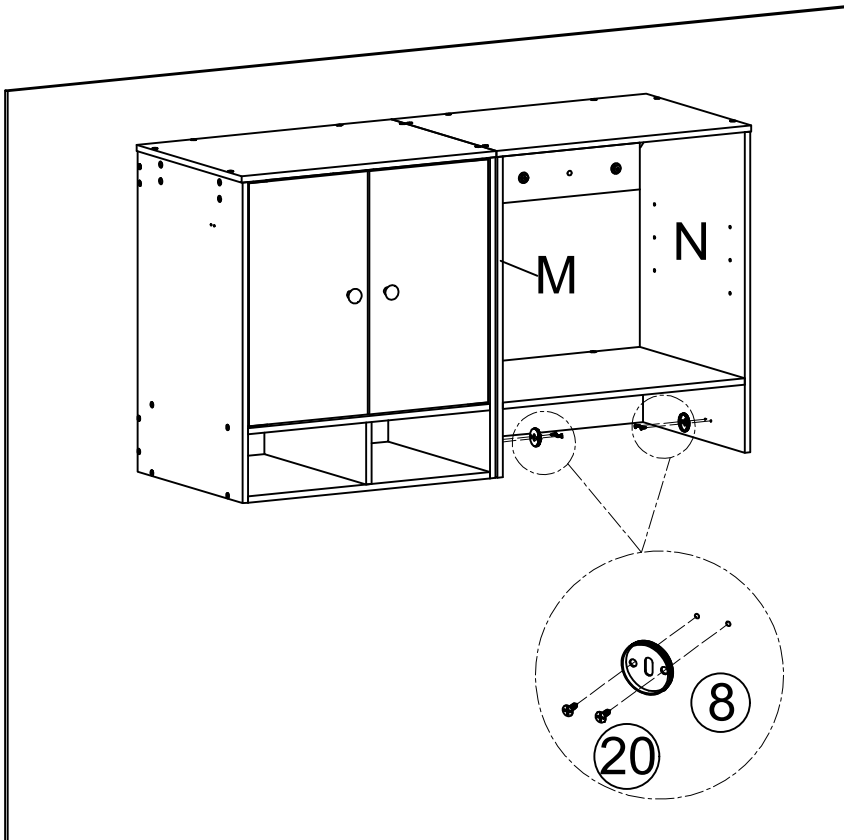


Side view



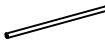

STEP 14

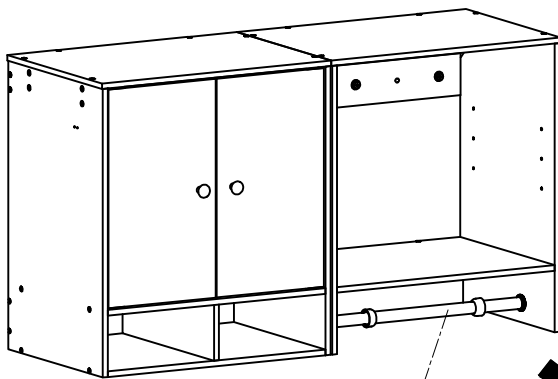
- 8  x2
- 20  x4



Please rotate and remove parts (7) and (8) as instructed.
Note: If necessary, please wear protective gloves during this step to avoid hand injuries.

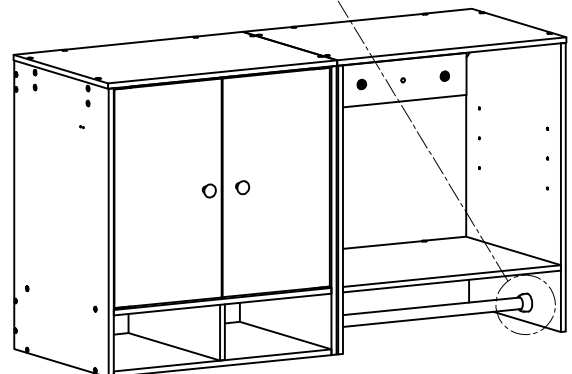
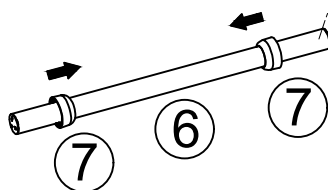
STEP 15

- 6  x1
- 7  x2

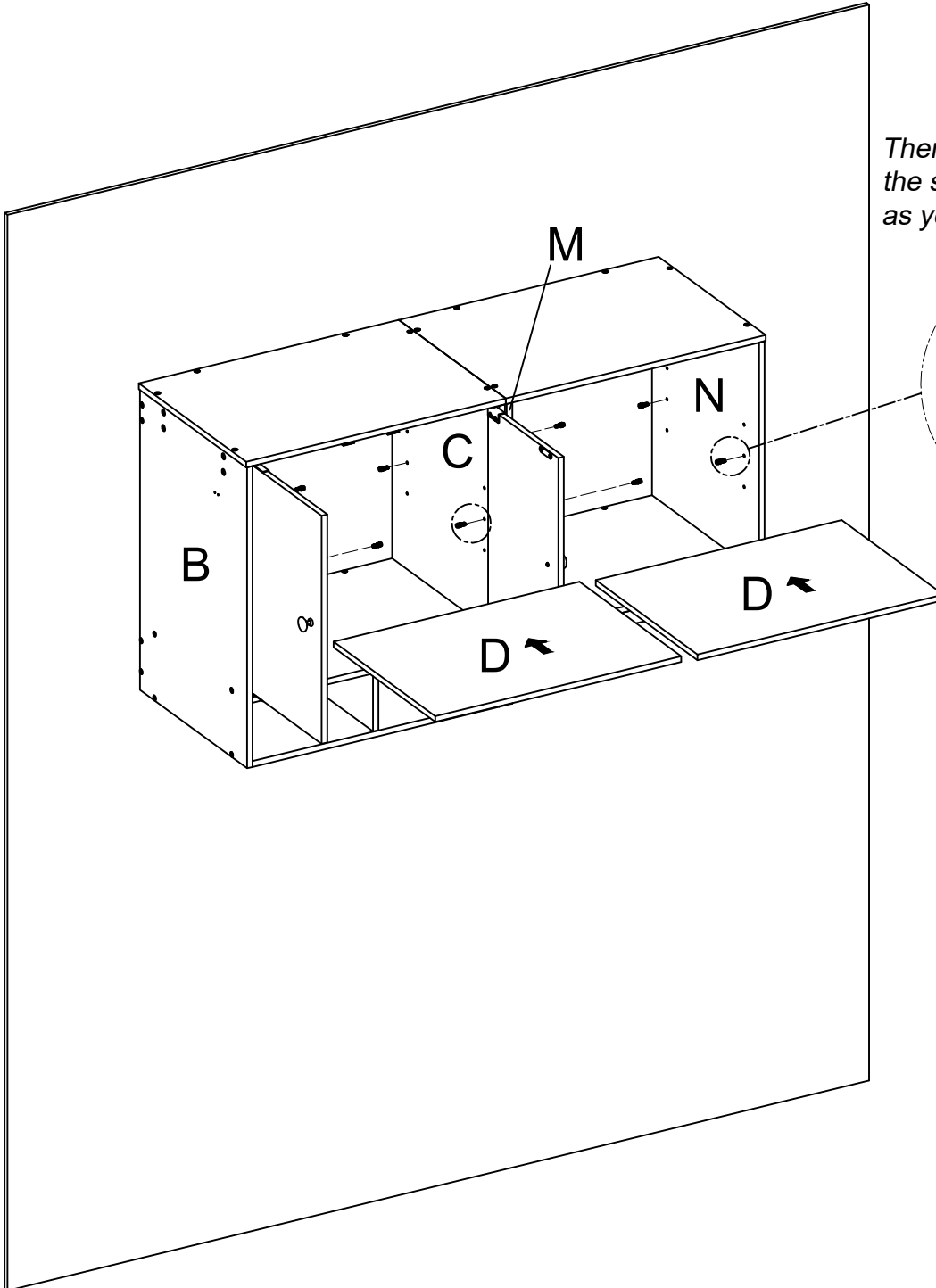
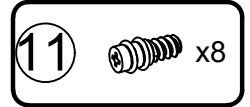


reinstall part (7) to part (8)

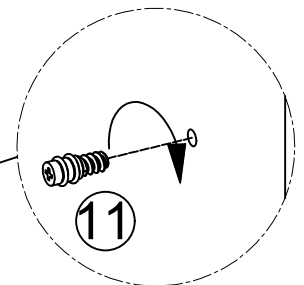
Please slide part (7) onto the rod part (6) with the threads facing outwards.



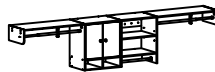
STEP 16



There are 3 heights for the shelf to be adjusted as you need.

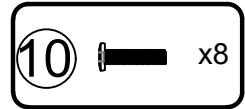
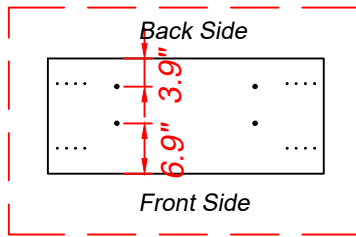


Option A

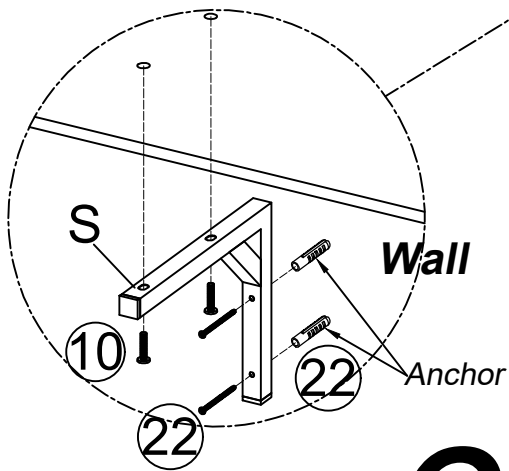
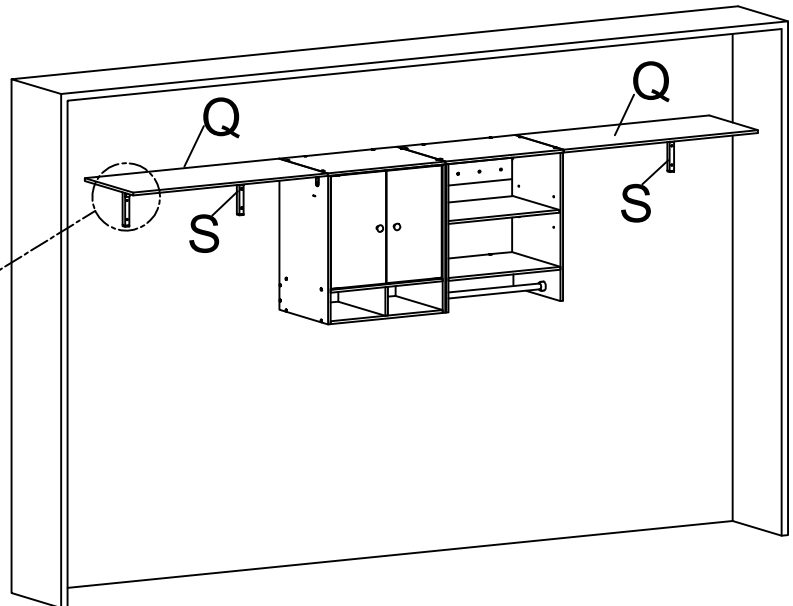


STEP 17

Shelf Support Installation

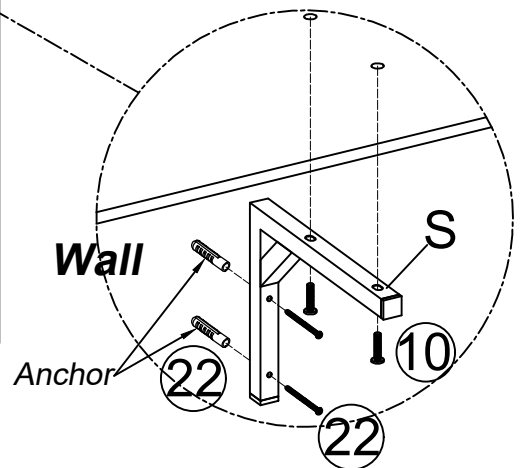
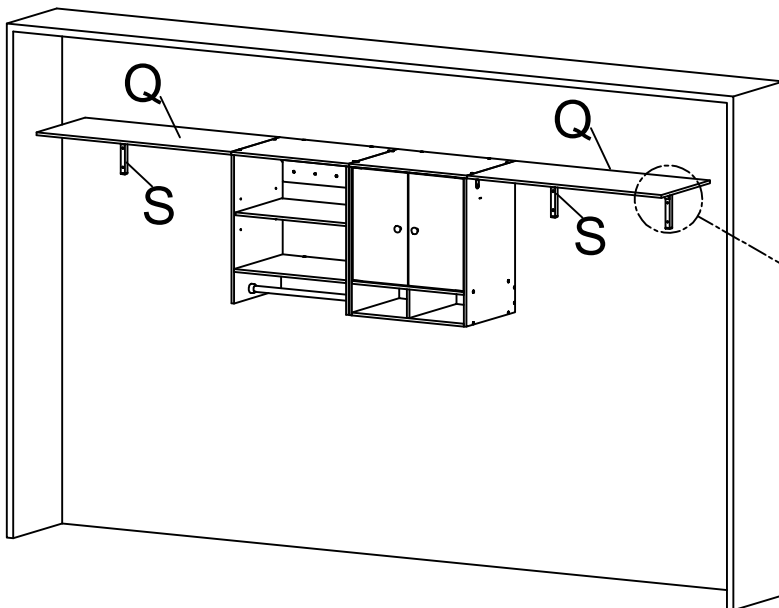


Keep the holes of the Part Q toward this direction as shown





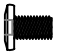
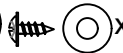
OR

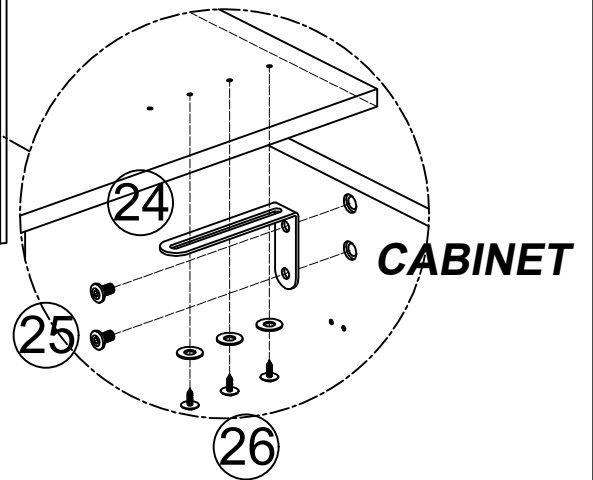
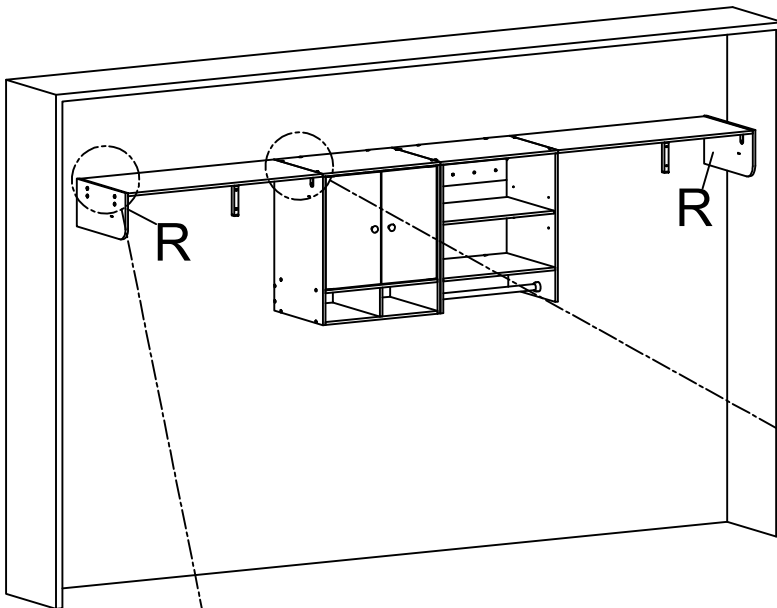
Note: If long shelf (Q) needs cut to fit inside your closet space, cut only one side of the shelf and do not use a hacksaw. It is recommended you hire an insured remodeler for this type of installation.



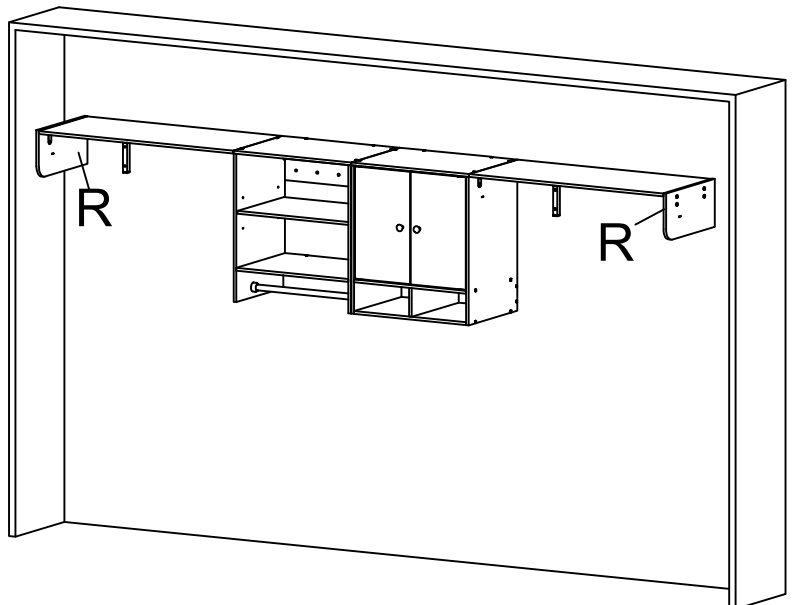
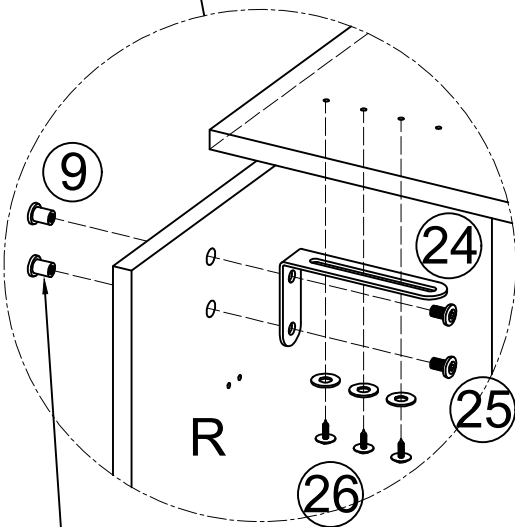
STEP 18

Standalone Panel Installation

- 9  x8
- 24  x8
- 25  x16
- 26  x24







OR

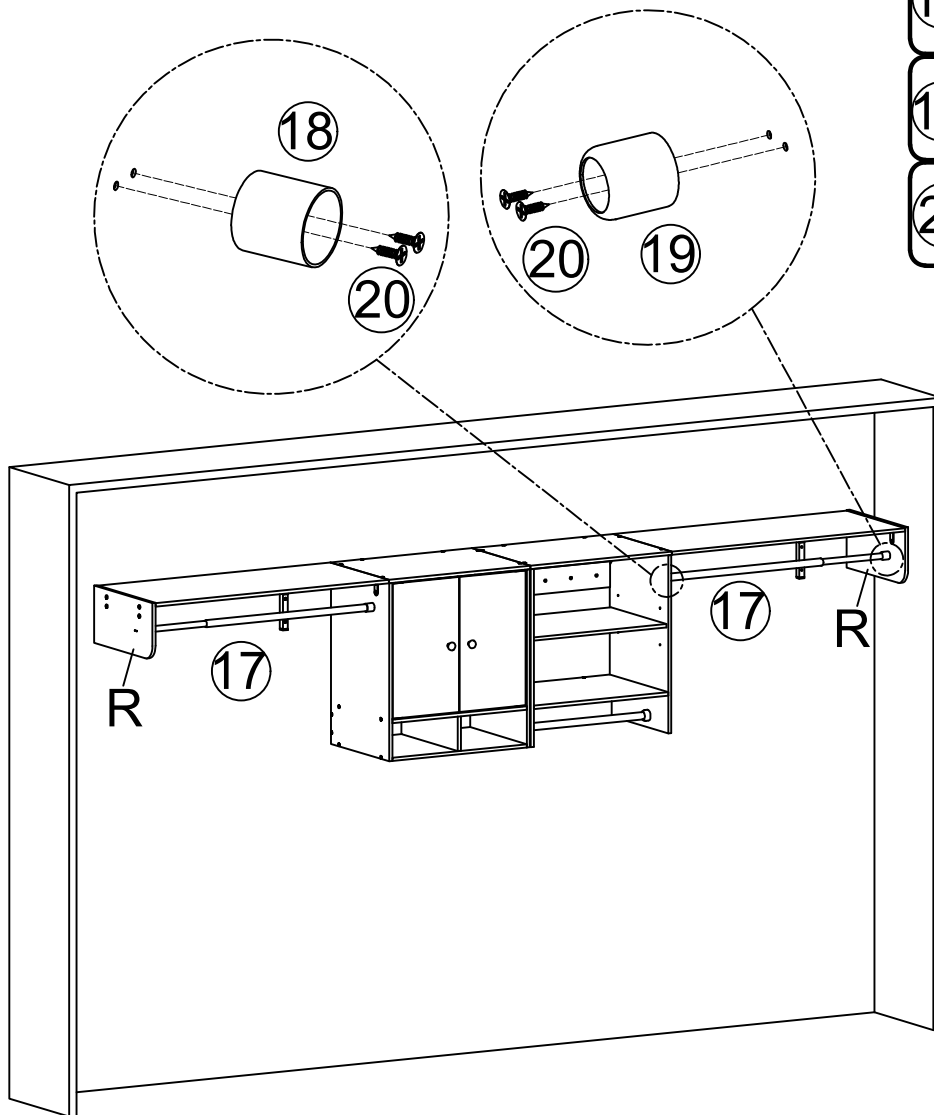


Note: Please insert a round nut into the hole from outside and use the Allen Wrench to hold it, then fix the screws from the inner side.

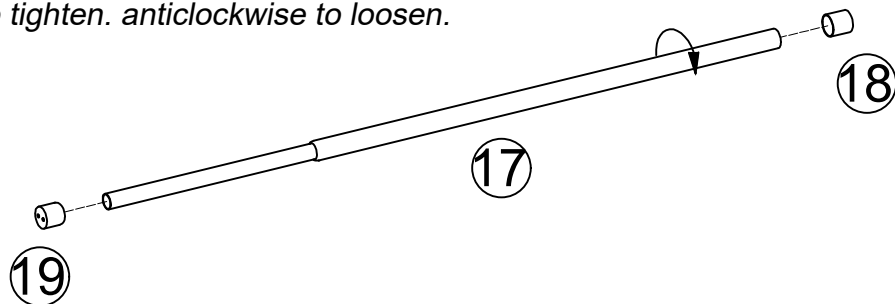
STEP 19

Pole Installation

- 17**  x2
- 18**  x2
- 19**  x2
- 20**  x8







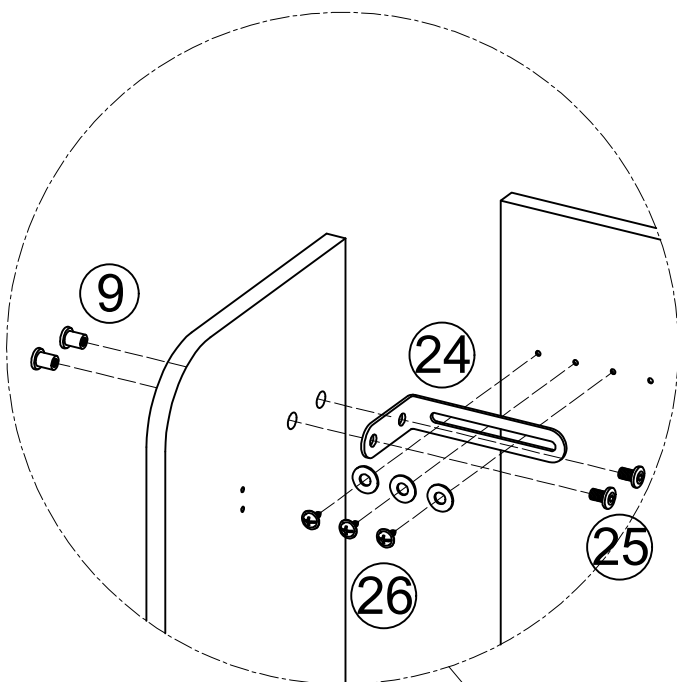
Note: Twist the expandable pole clockwise to tighten. anticlockwise to loosen.



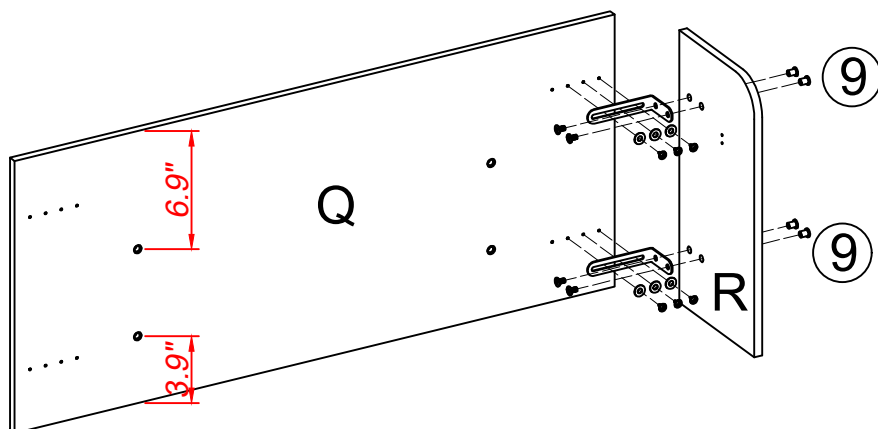
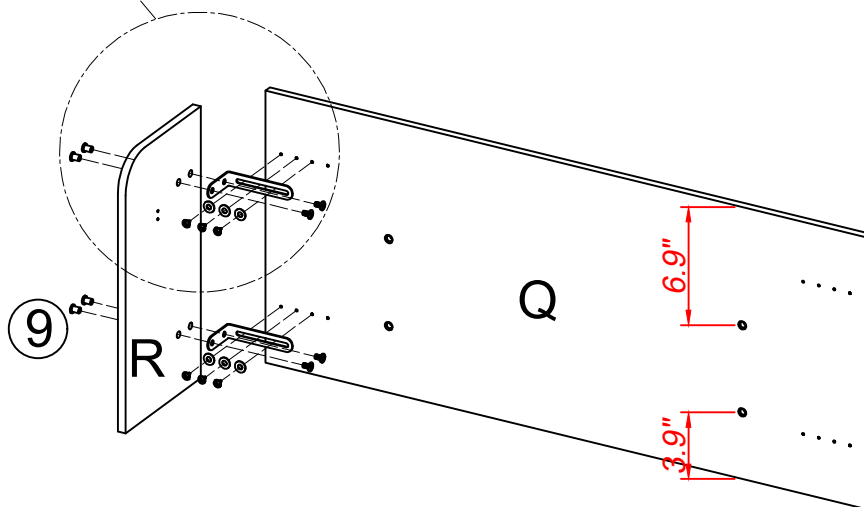
Option B

STEP 17

- 9  x8
- 24  x4
- 25  x8
- 26  x12

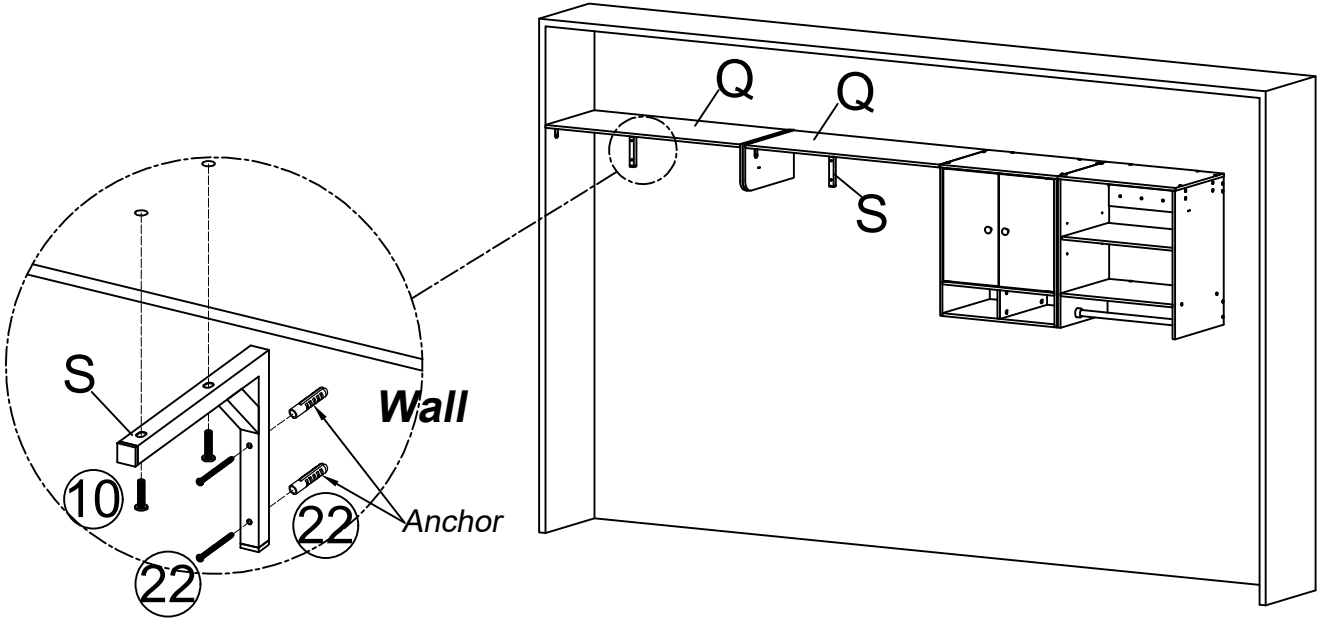
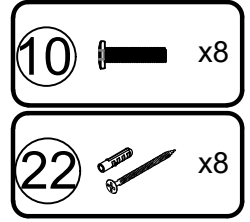


Keep the holes of the Part Q and Part R toward this direction as shown



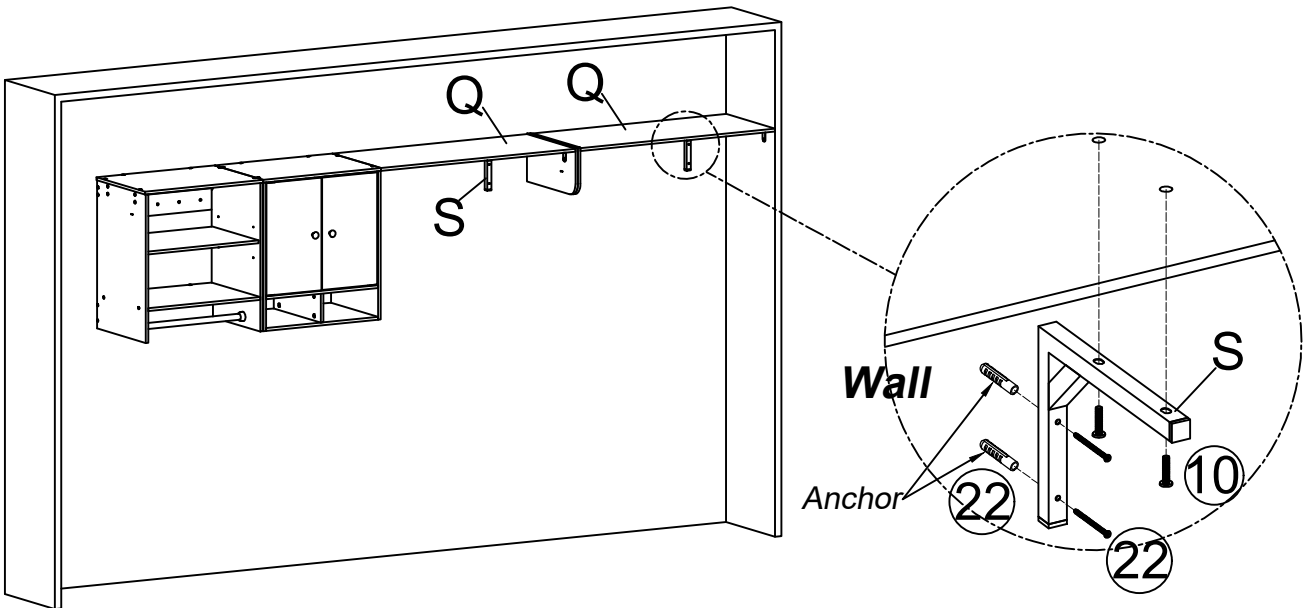
STEP 18

Shelf Support Installation






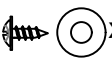
OR

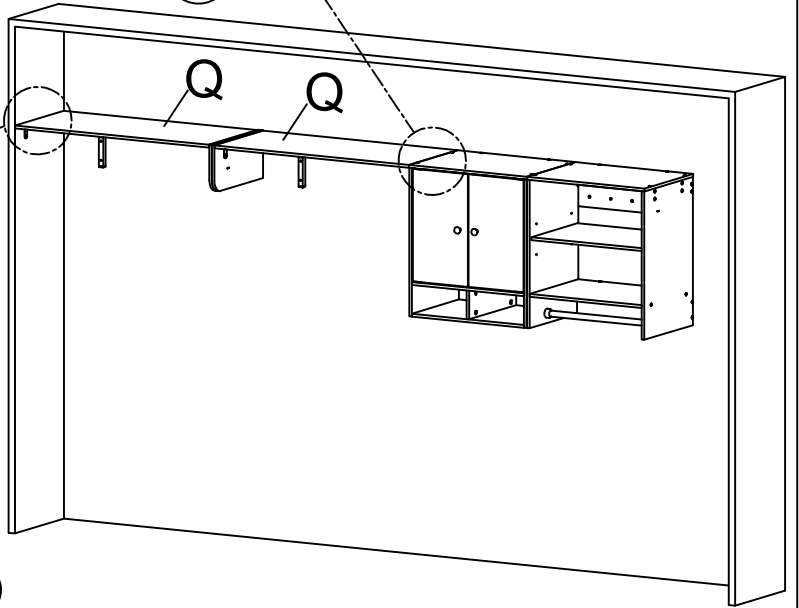
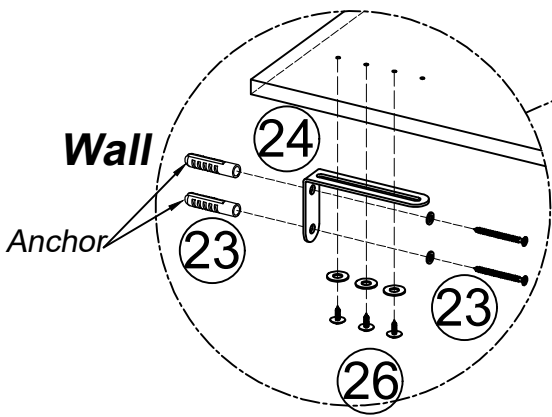
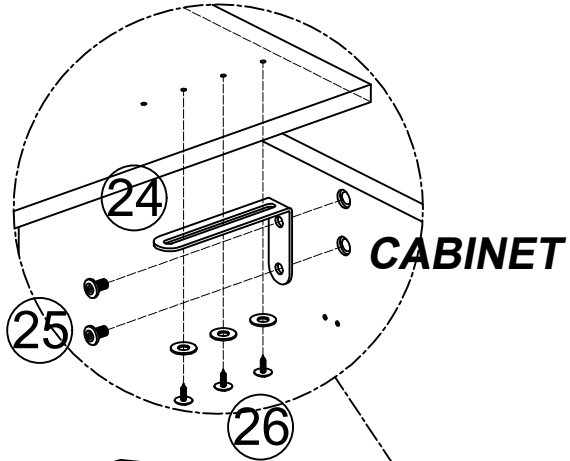
Note: If long shelf (Q) needs cut to fit inside your closet space, cut only one side of the shelf and do not use a hacksaw. It is recommended you hire an insured remodeler for this type of installation.



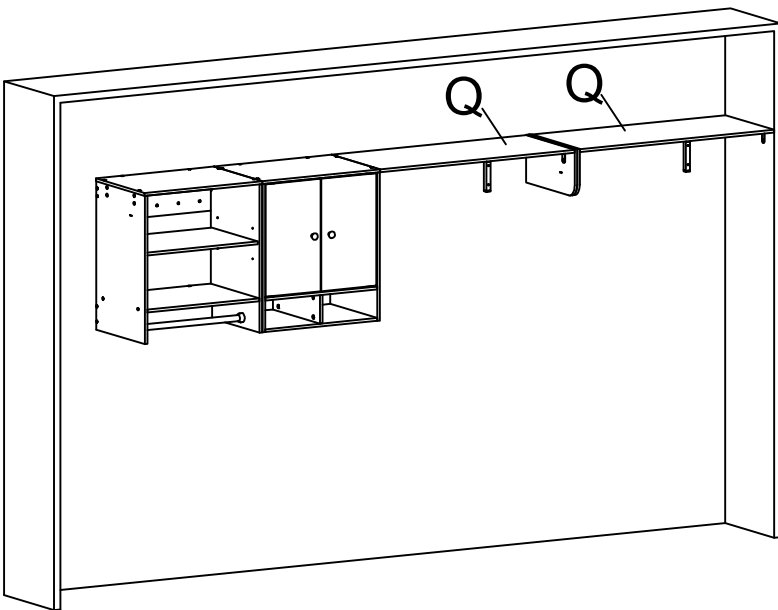
STEP 19

Long Shelf Installation

- 23**  x4
- 24**  x4
- 25**  x4
- 26**  x12



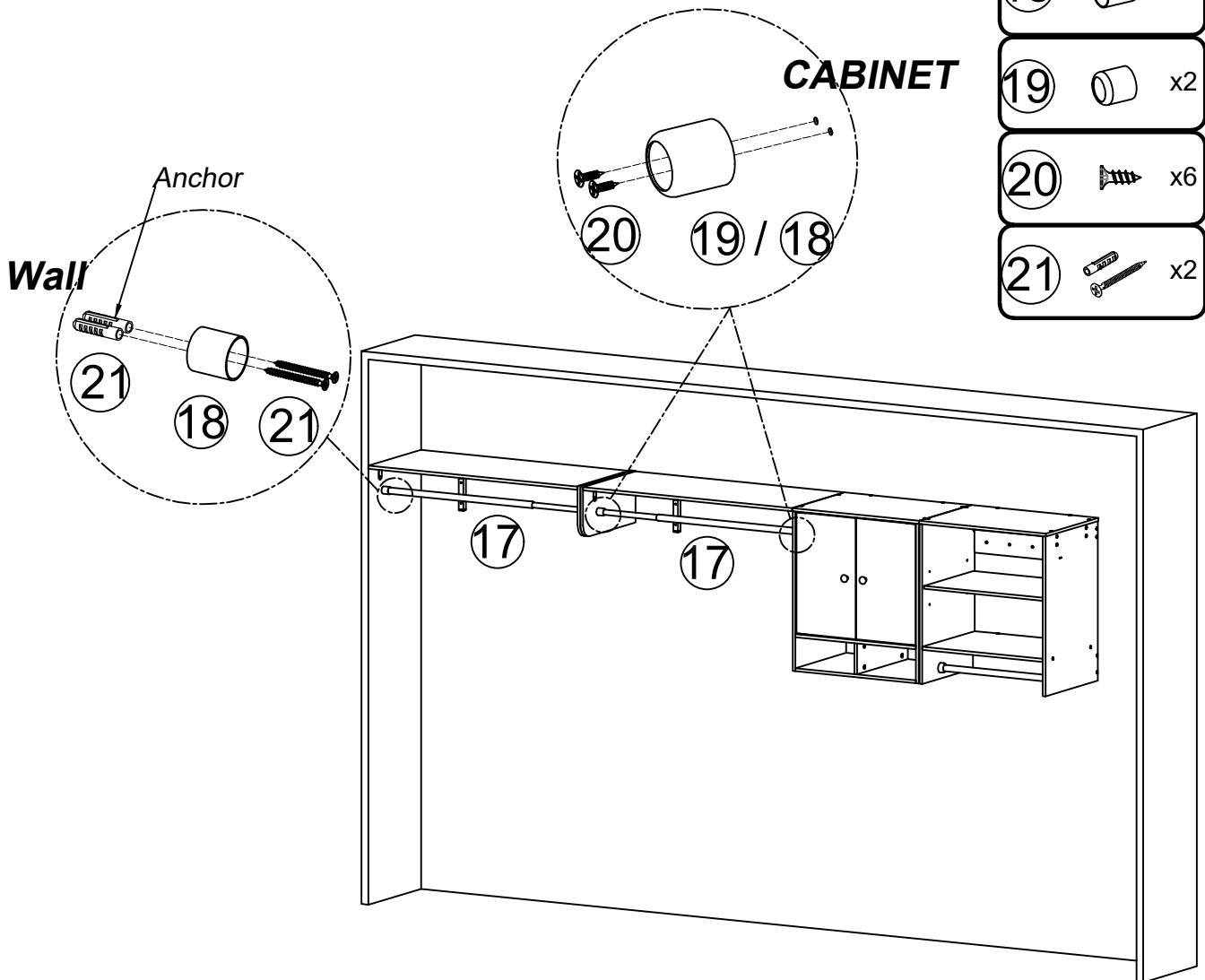
OR



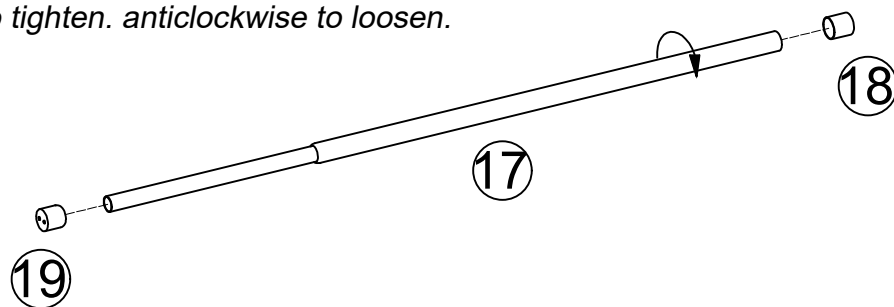
STEP 20

Pole Installation

- 17 — x2
- 18 — x2
- 19 — x2
- 20 — x6
- 21 — x2



Note: Twist the expandable pole clockwise to tighten. anticlockwise to loosen.



Other Function

The long shelf can be installed in both sides of each cabinet, you are free to install it in different way as you need.

