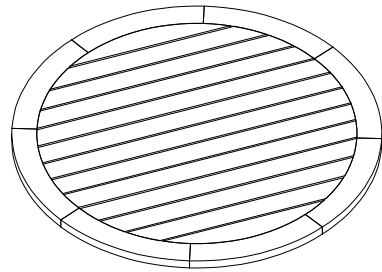
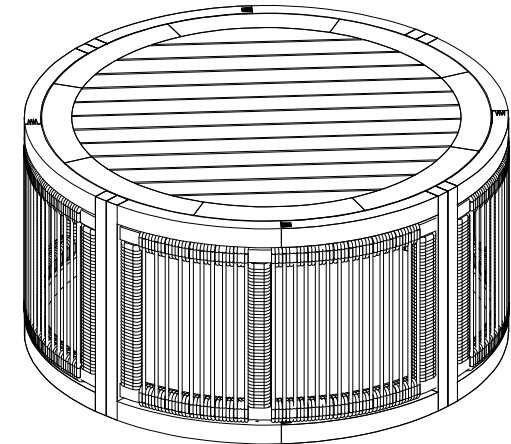


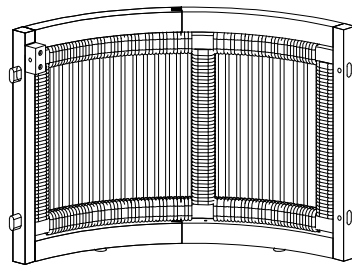
**A**



**A** x 1

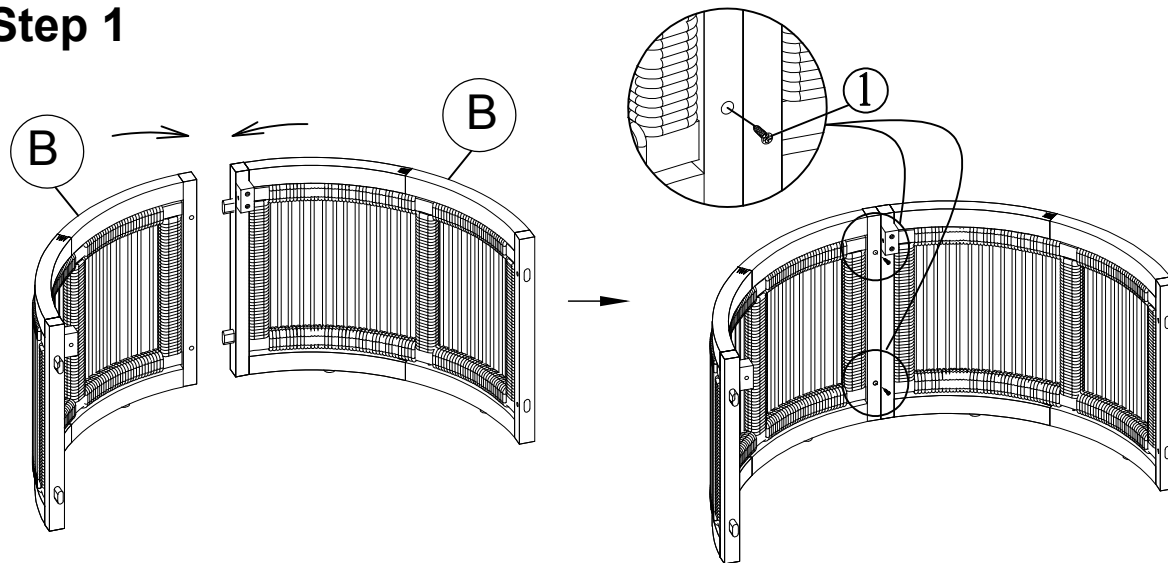



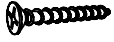
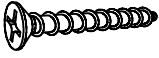
**B**



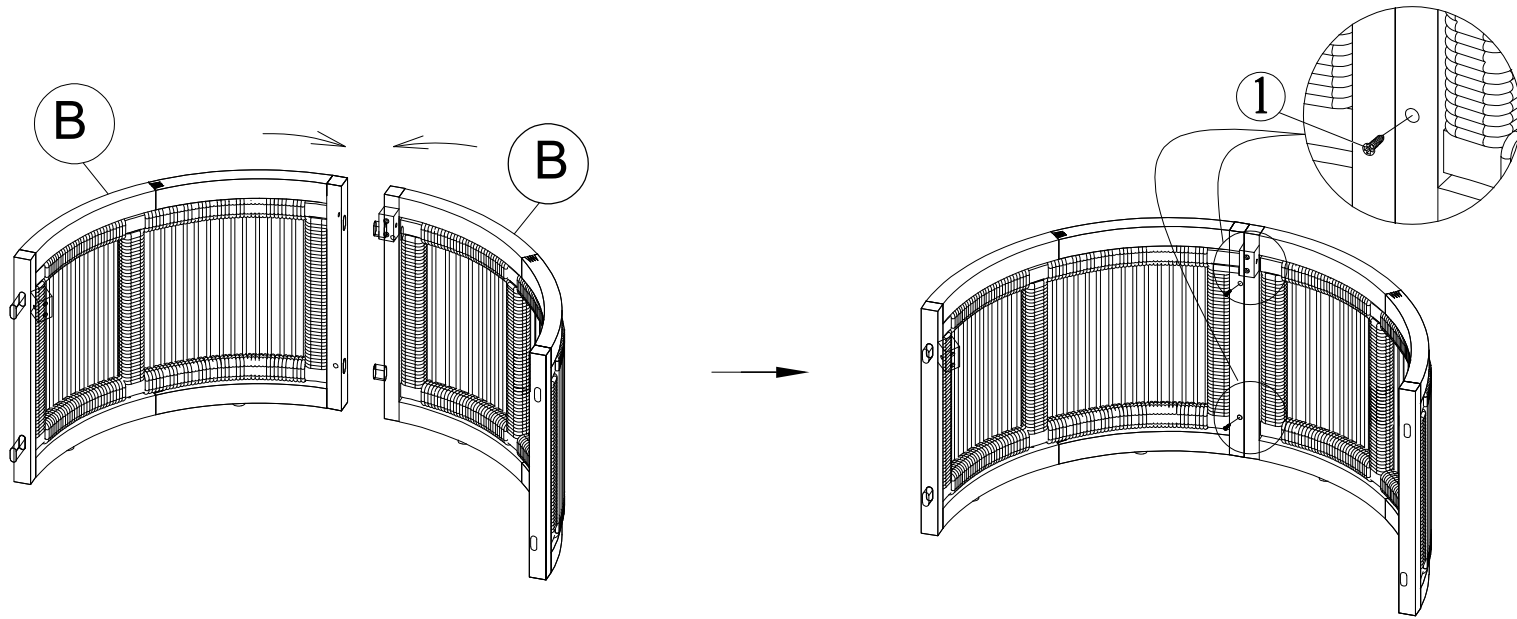
**B** x 4

**Step 1**

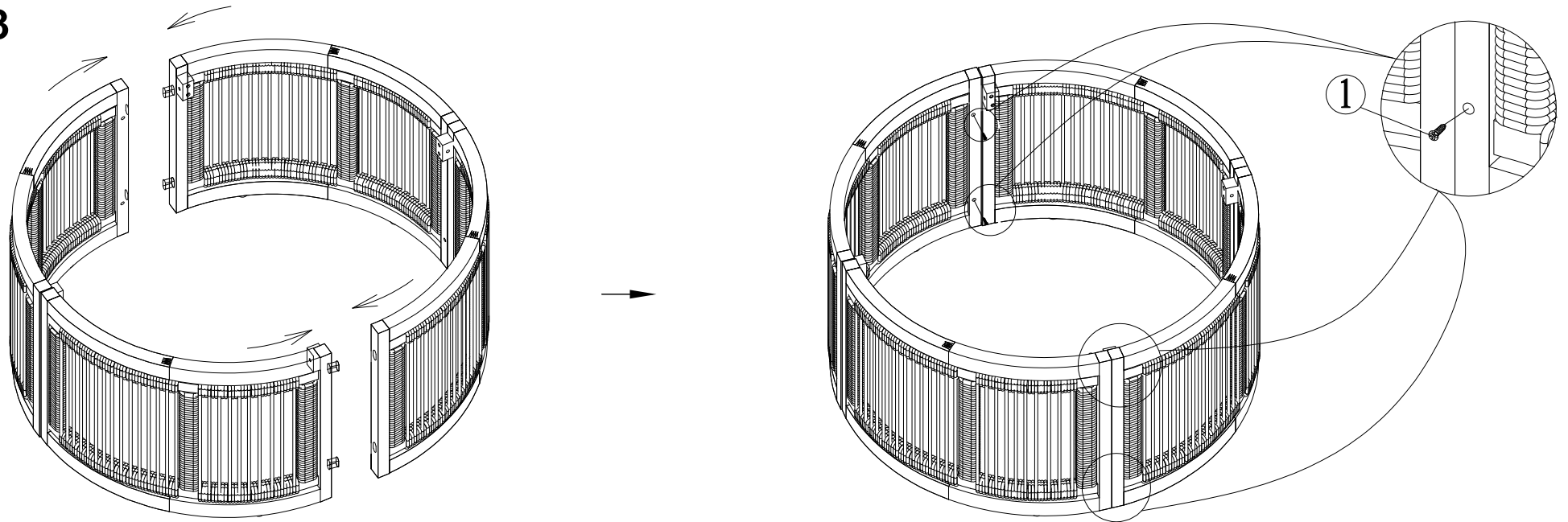


No	Hardware	Fig	Q.ty
①	SCREW M4x20mm		9
②	SCREW M4x35mm		5
③	SCREW M4x45mm		5

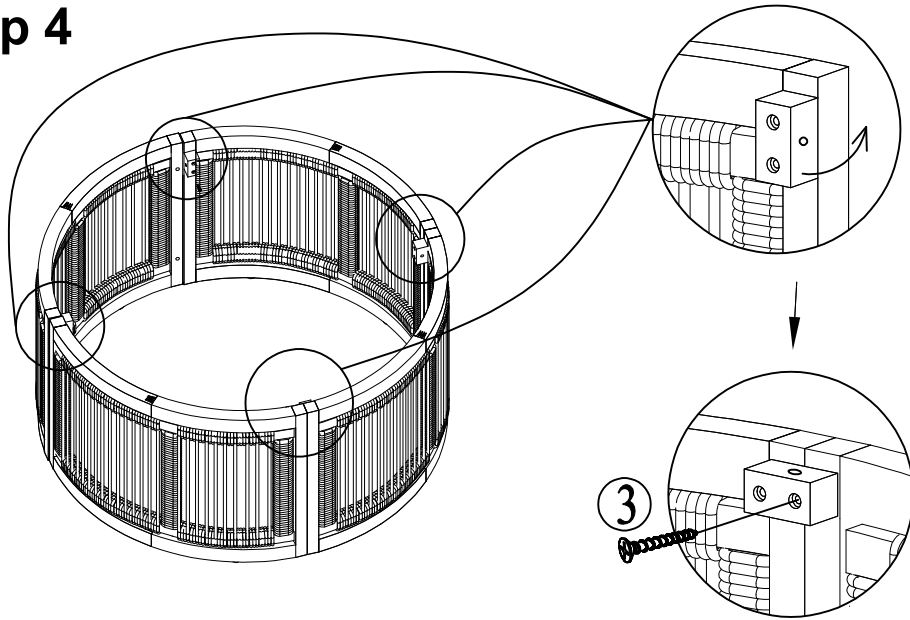
## Step 2



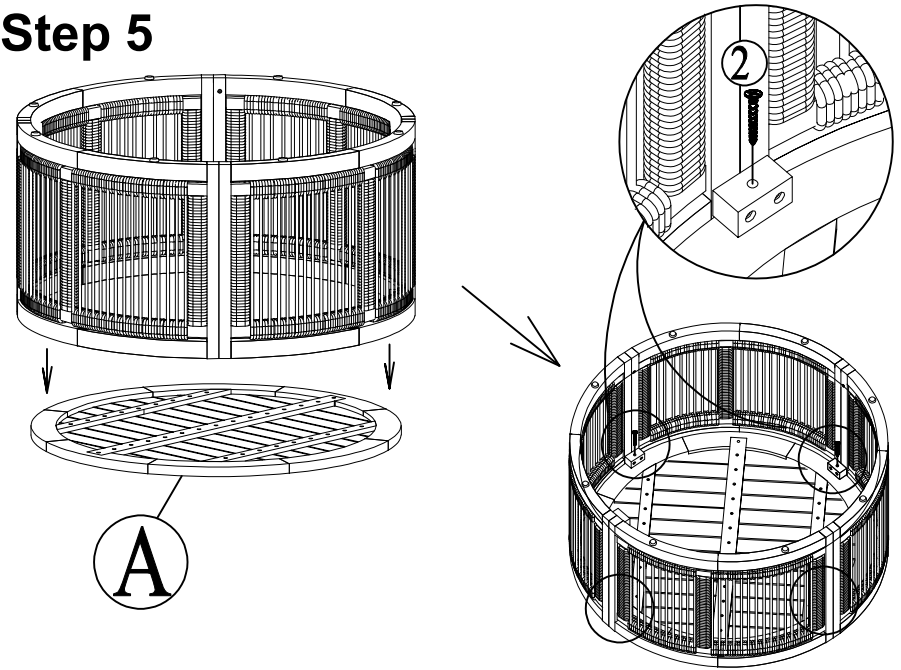
## Step 3



### Step 4



### Step 5



### Step 6

