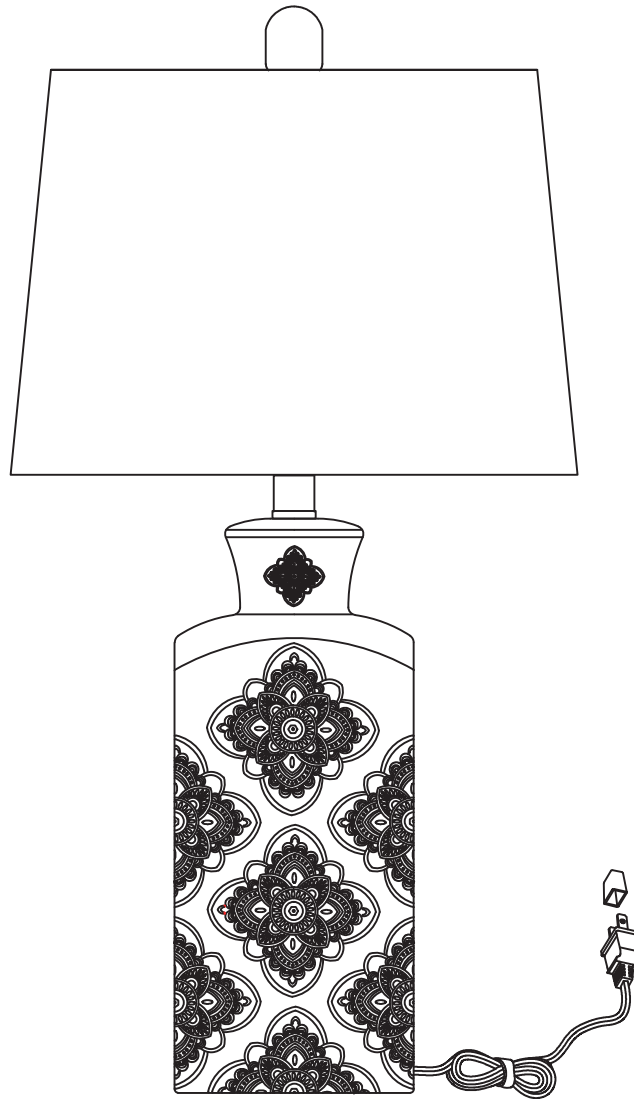


Assembly Instructions

Table Lamp



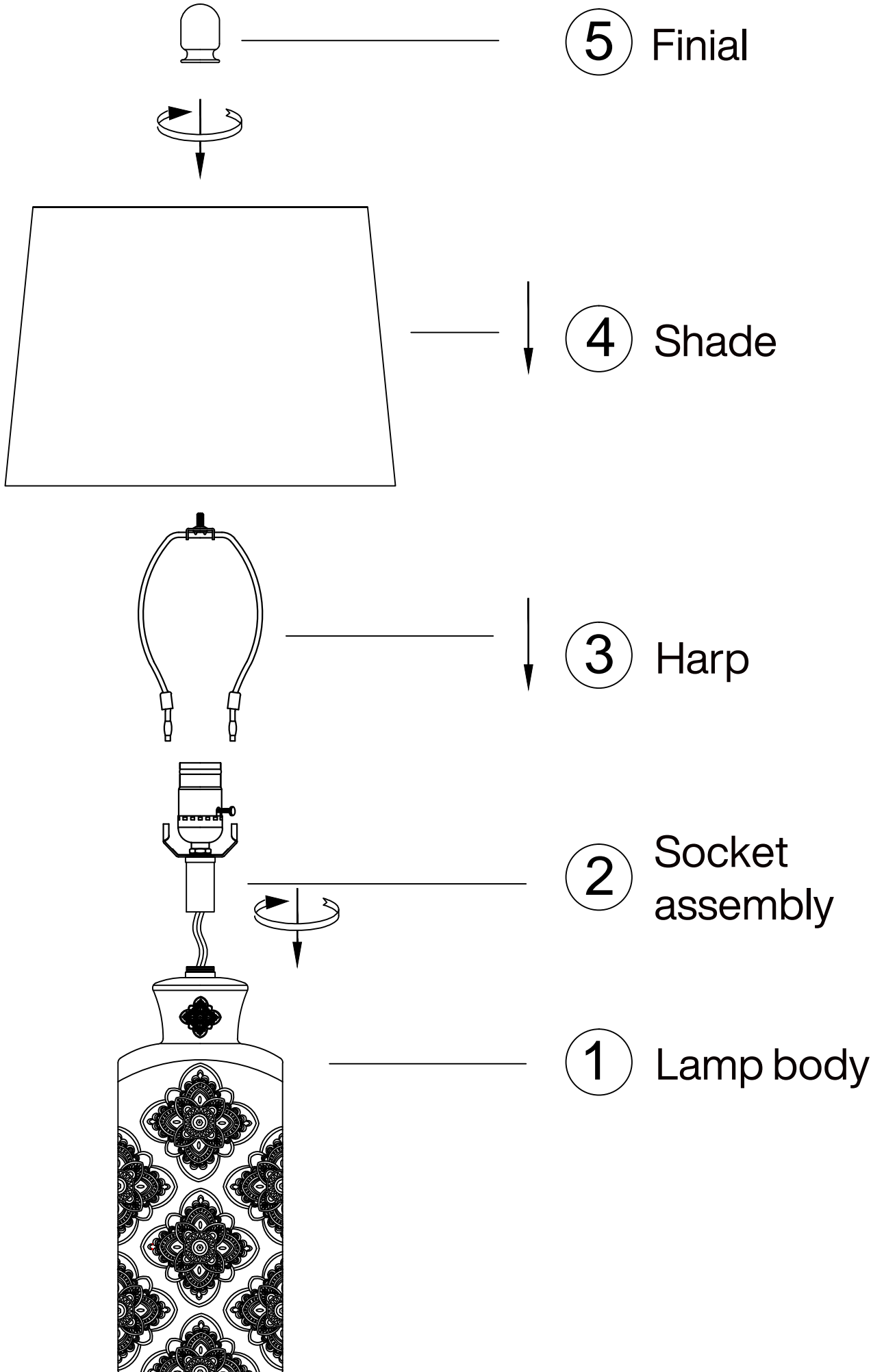
Contact Us

We're here to help you.

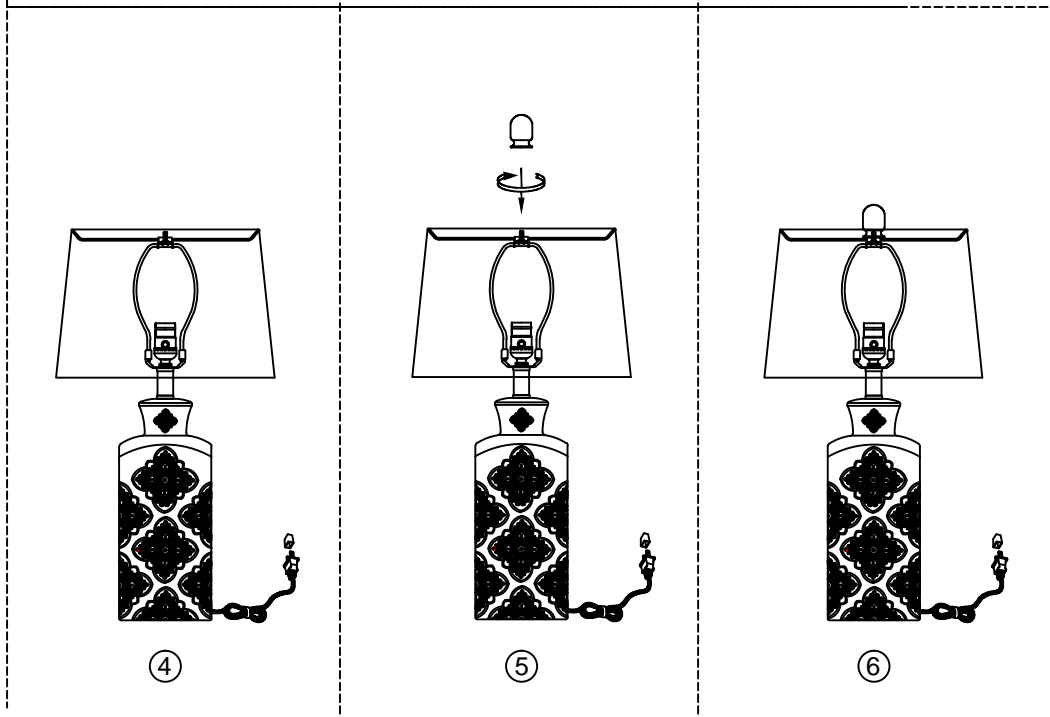
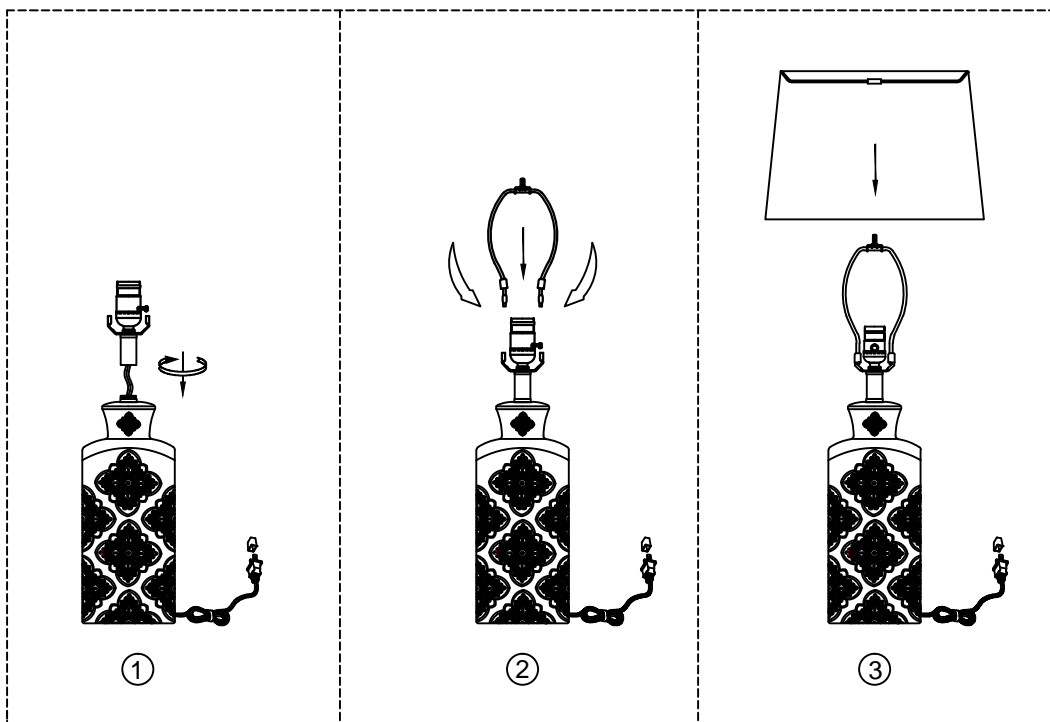
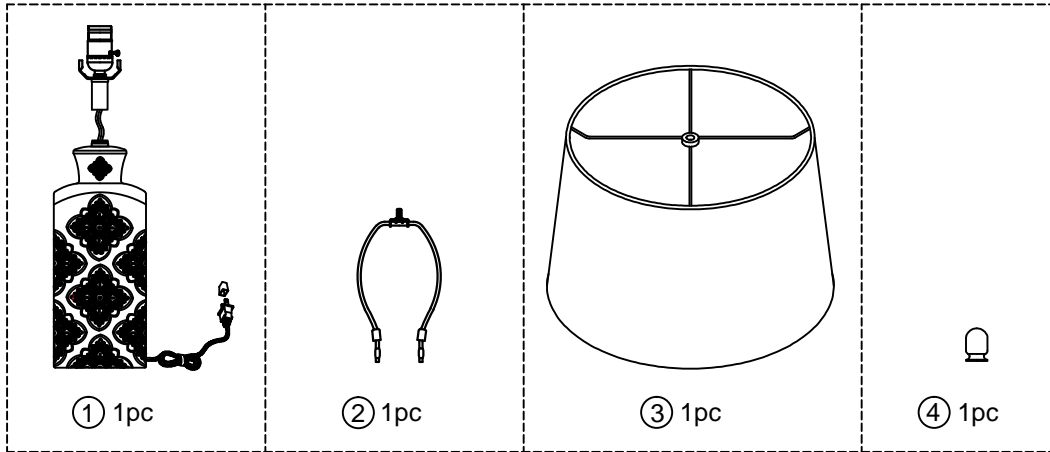
Your satisfaction is our top priority. If you encounter any issues with this product, such as missing or damaged parts, we're here to help. Please retain the original packaging and take photos of the packaging and the product, then contact us as soon as possible.

Warm Tips

1. Carefully read these instructions and keep them for future reference.
2. Check the parts list and confirm everything's there before starting assembly.
3. When assembling, put all parts on a table to avoid scratches.



Parts List



IMPORTANT SAFETY INSTRUCTIONS: This product has a polarized plug (one blade is wider than the other) as a feature to reduce the risk of electric shock. This plug will fit in a polarized outlet only one way. If the plug does not fit fully in the outlet, reverse the plug. If it still does not fit, contact a qualified electrician. Never use extension cord unless plug can be fully inserted. Do not alter the plug.

GENERAL: All electrical connections must be in accordance with local and National Electrical Code (N.E.C.) standards. If you are unfamiliar with proper electrical wiring connections obtain the services of a qualified electrician.

Remove the lamp from the box and make sure that no parts are missing by referencing the illustrations on the installation instructions,

1. Carefully place LAMP BODY on a table.
2. Fasten SOCKET ASSEMBLY onto LAMP BODY. Be careful not to twist the power cord, tighten securely.
3. Insert HARP into SADDLE. Ensure it sits securely in places.
4. Put SHADE onto HARP. Make sure it is centered and stable.
5. Place FINIAL onto HARP, then tighten the SHADE with FINIAL.
6. Screw a light bulb into the lamp socket and make sure it does not exceed the maximum wattage specified on the lamp wattage rating. **MAXIMUM 60 WATT.**
7. The bulb is not included.

Thank you for your support!

