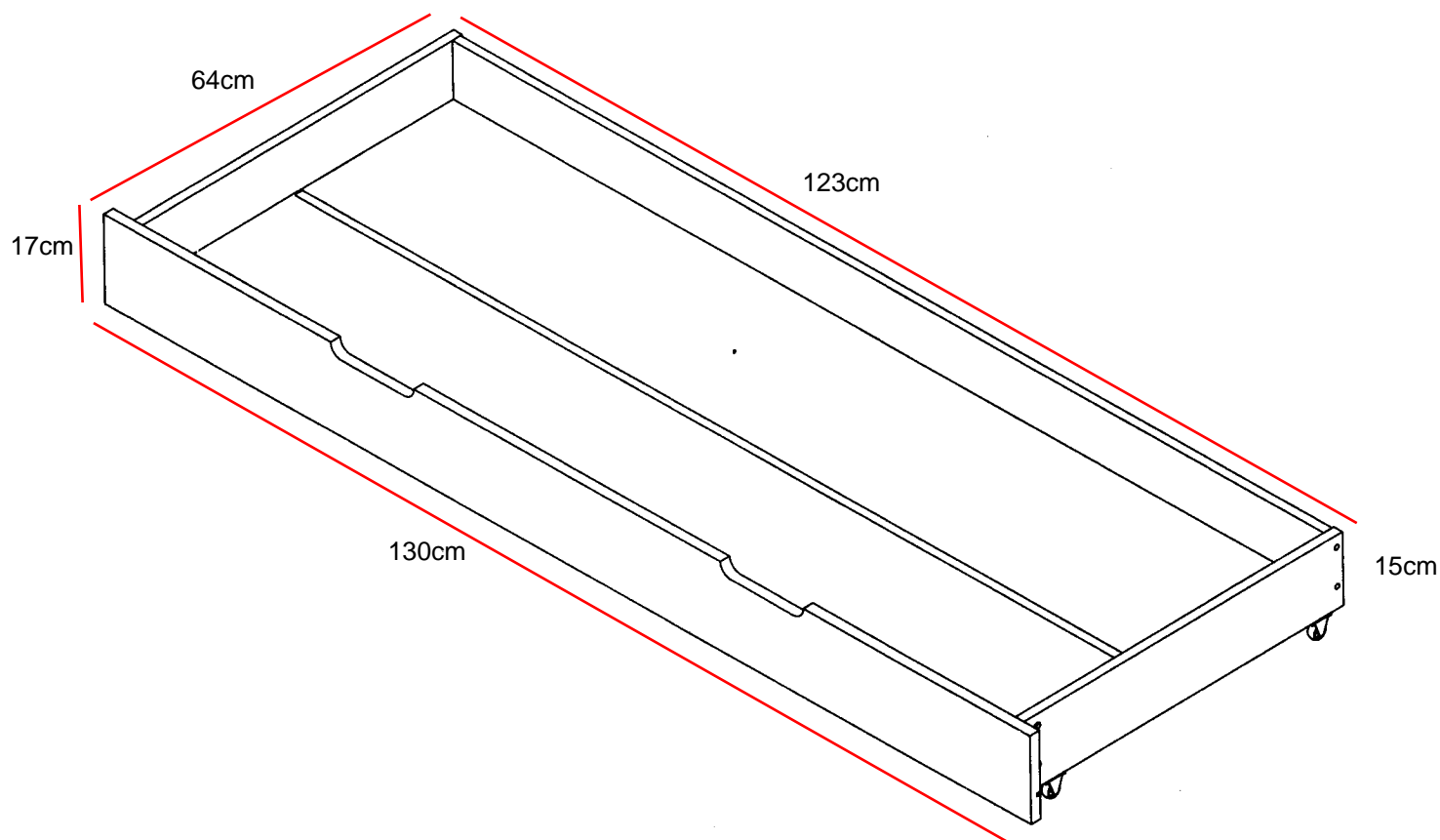
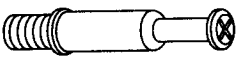



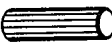

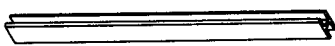

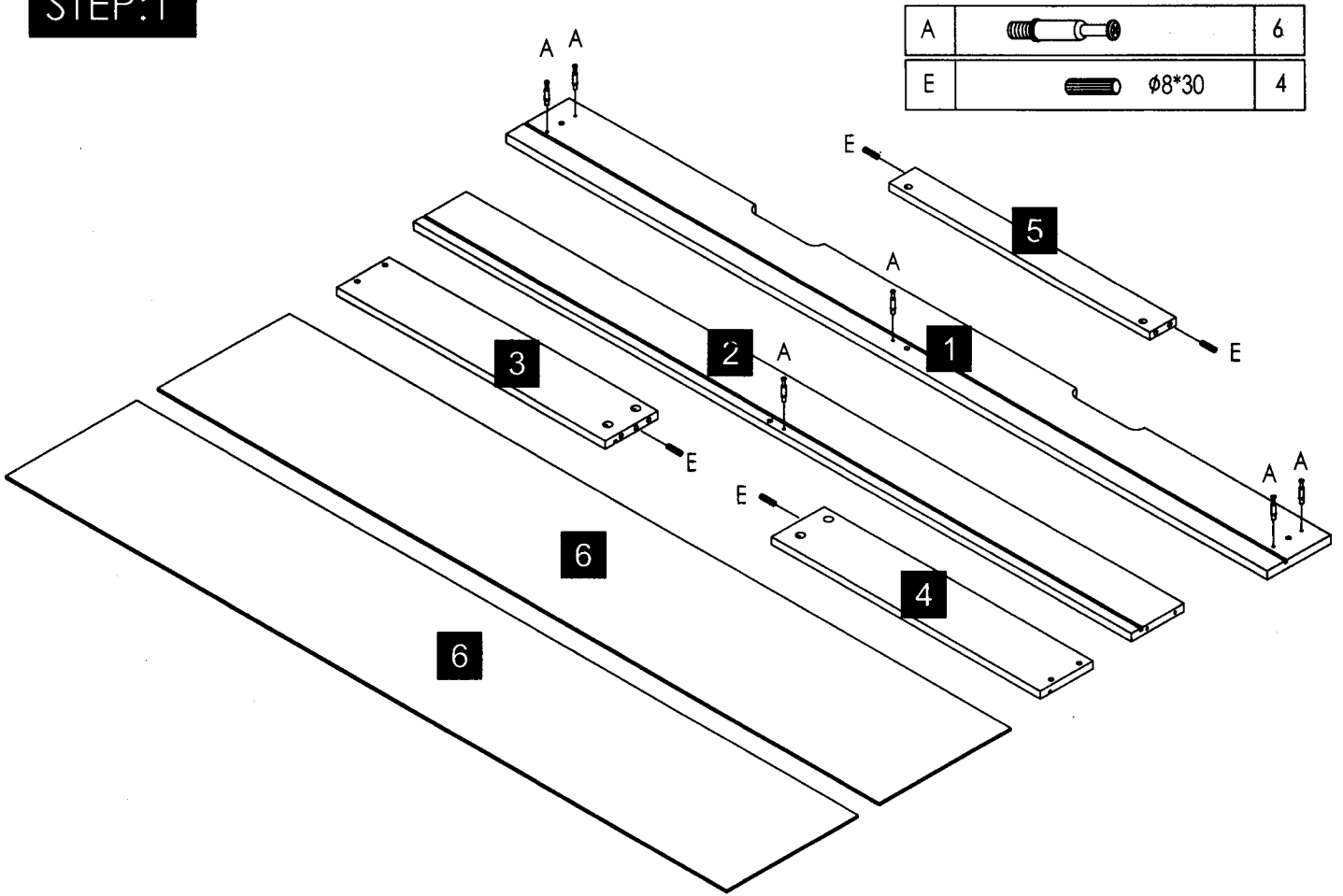


DRAWER

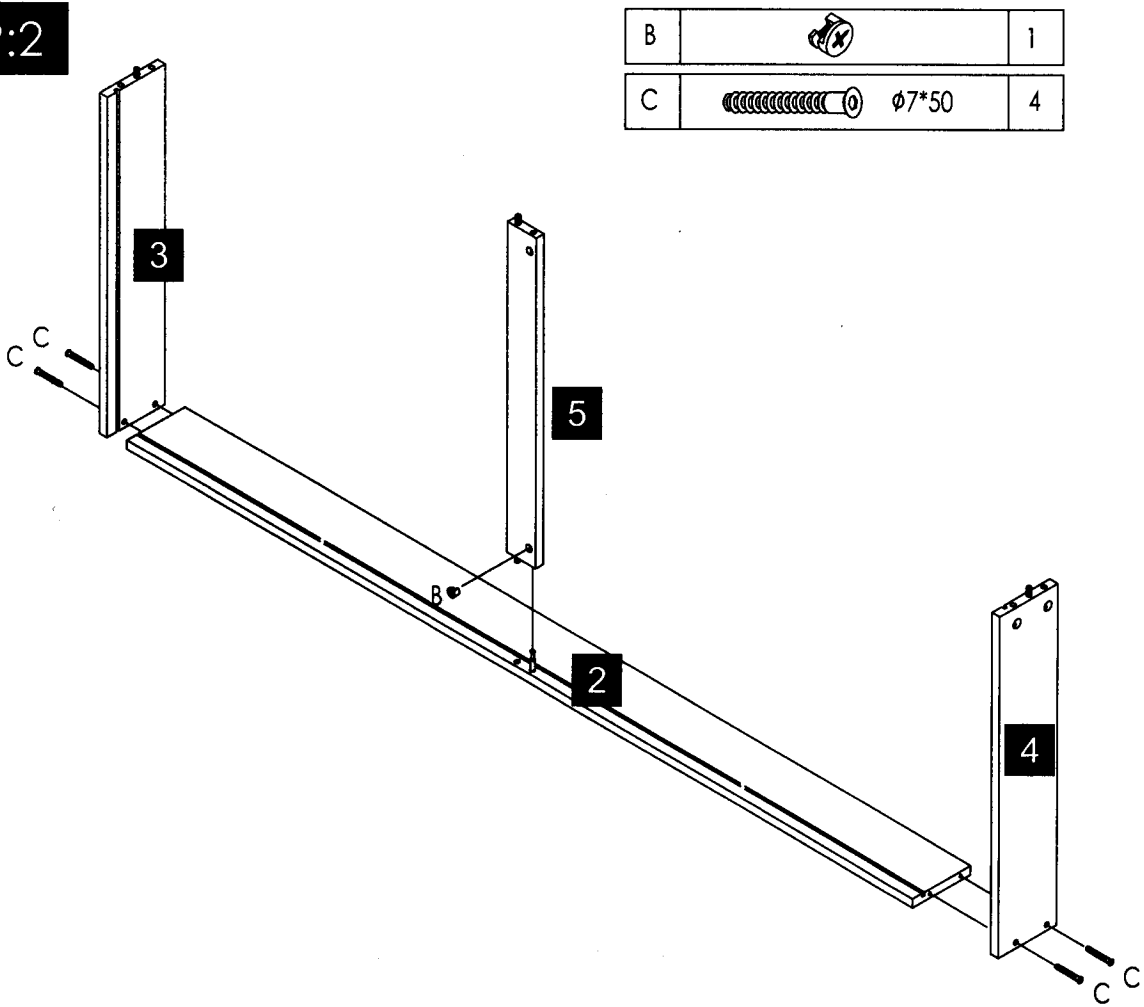


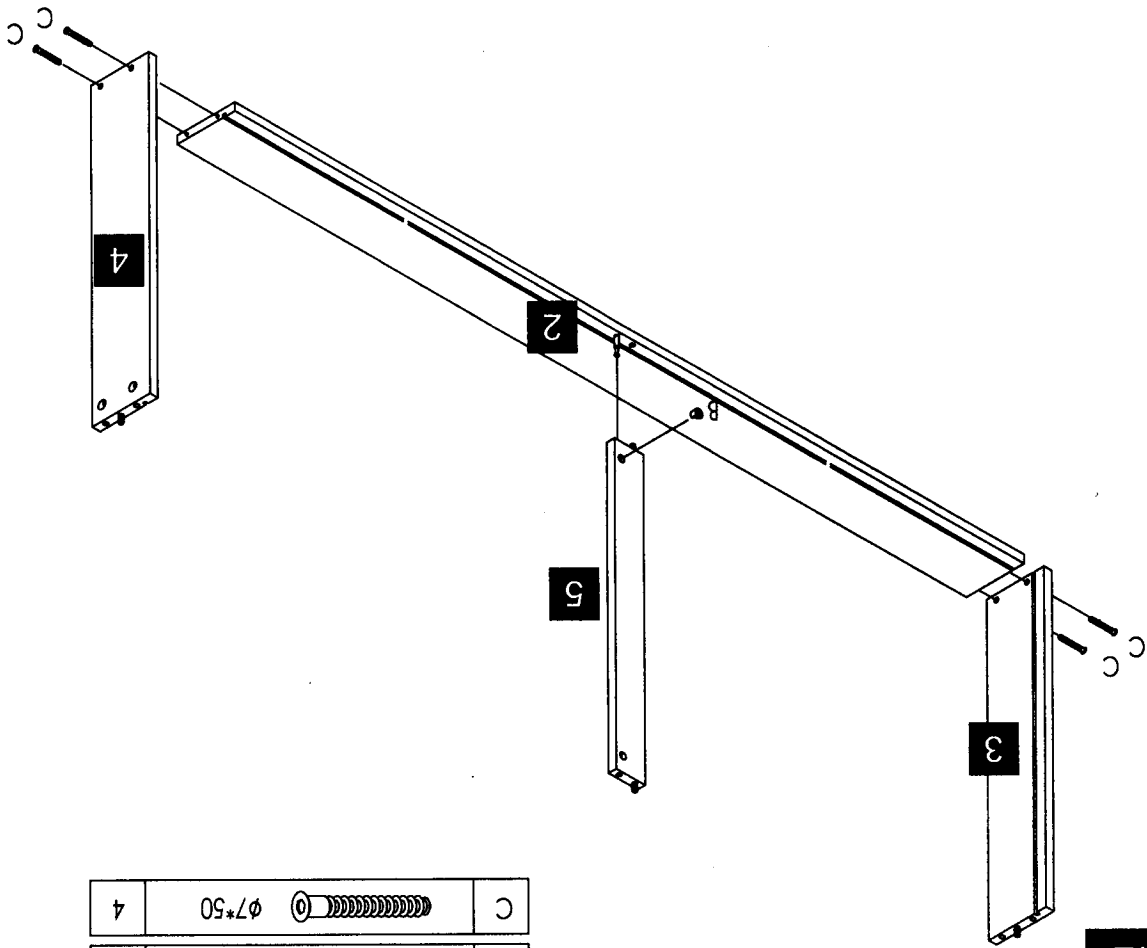
A		6
B		6
C	 $\phi 7*50$	4
D		4
E	 $\phi 8*30$	4
F	 $3.5*16$	8
G	 1190 mm	1
H		1

STEP:1





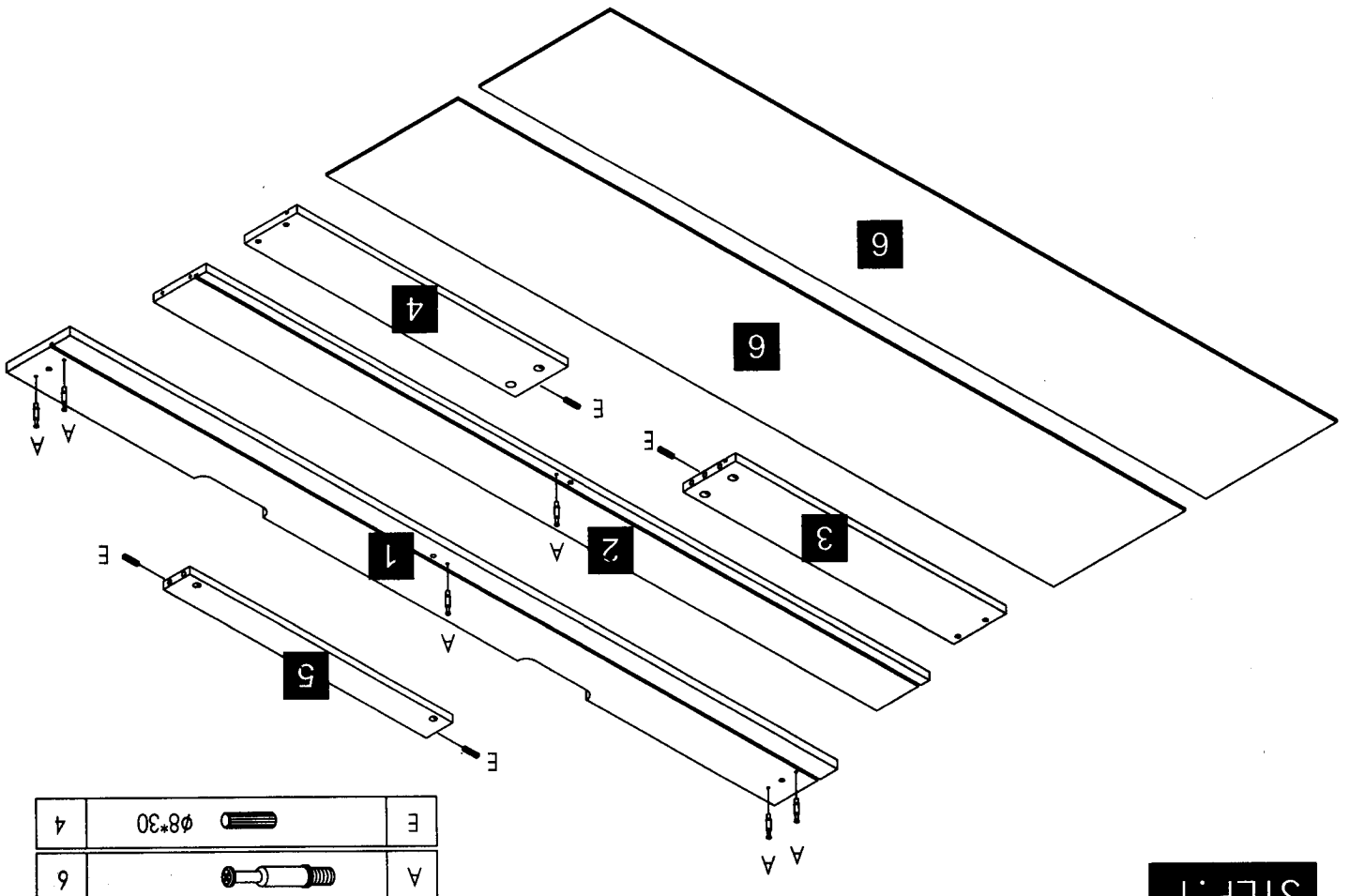
STEP:2




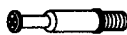



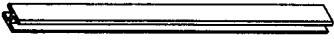

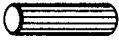

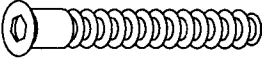

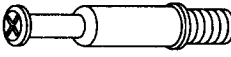
STEP:2

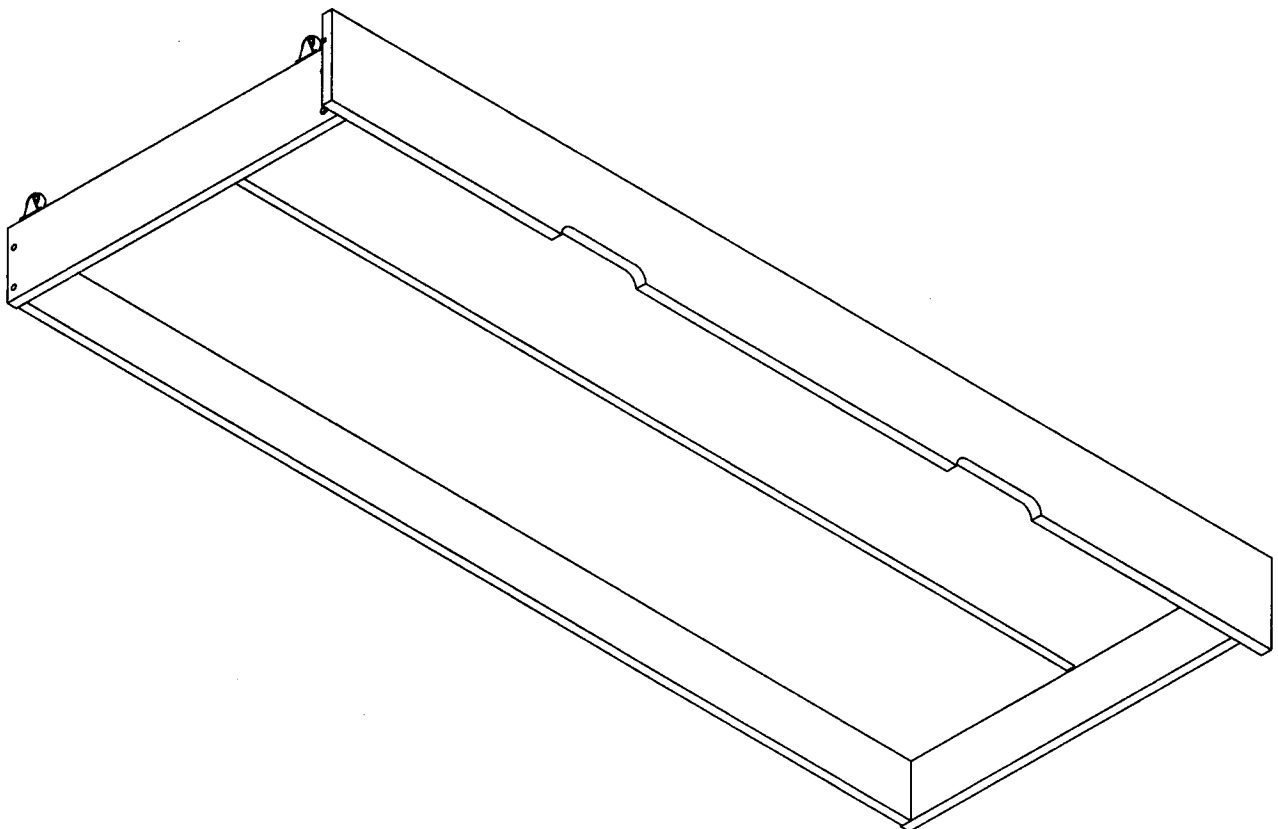
C		4
B		1

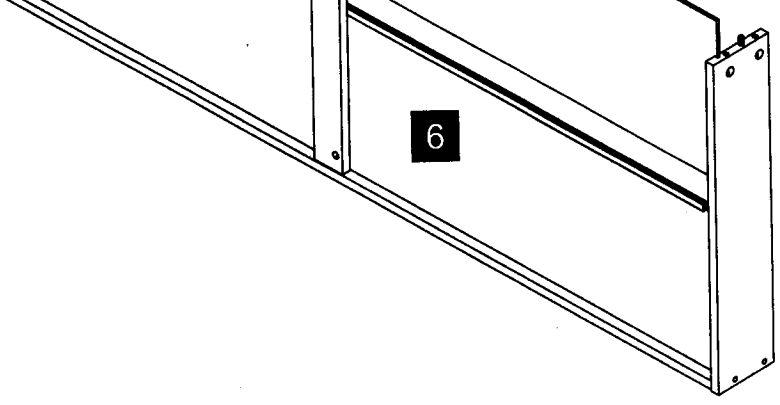


STEP:1

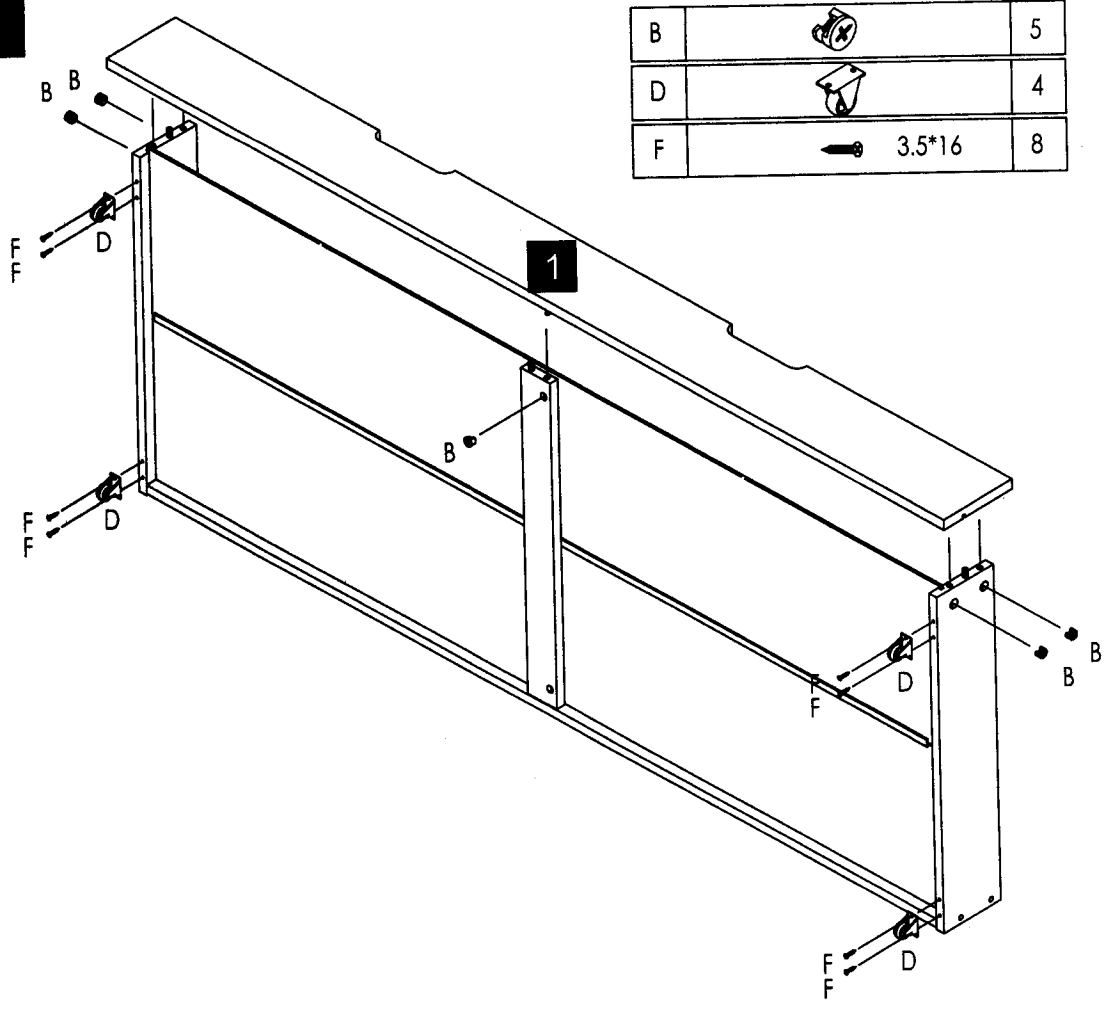
E		4
A		6

1			H
1	1190 mm		G
8	3.5*16		F
4	∅8*30		E
4			D
4	∅7*50		C
6			B
6			A





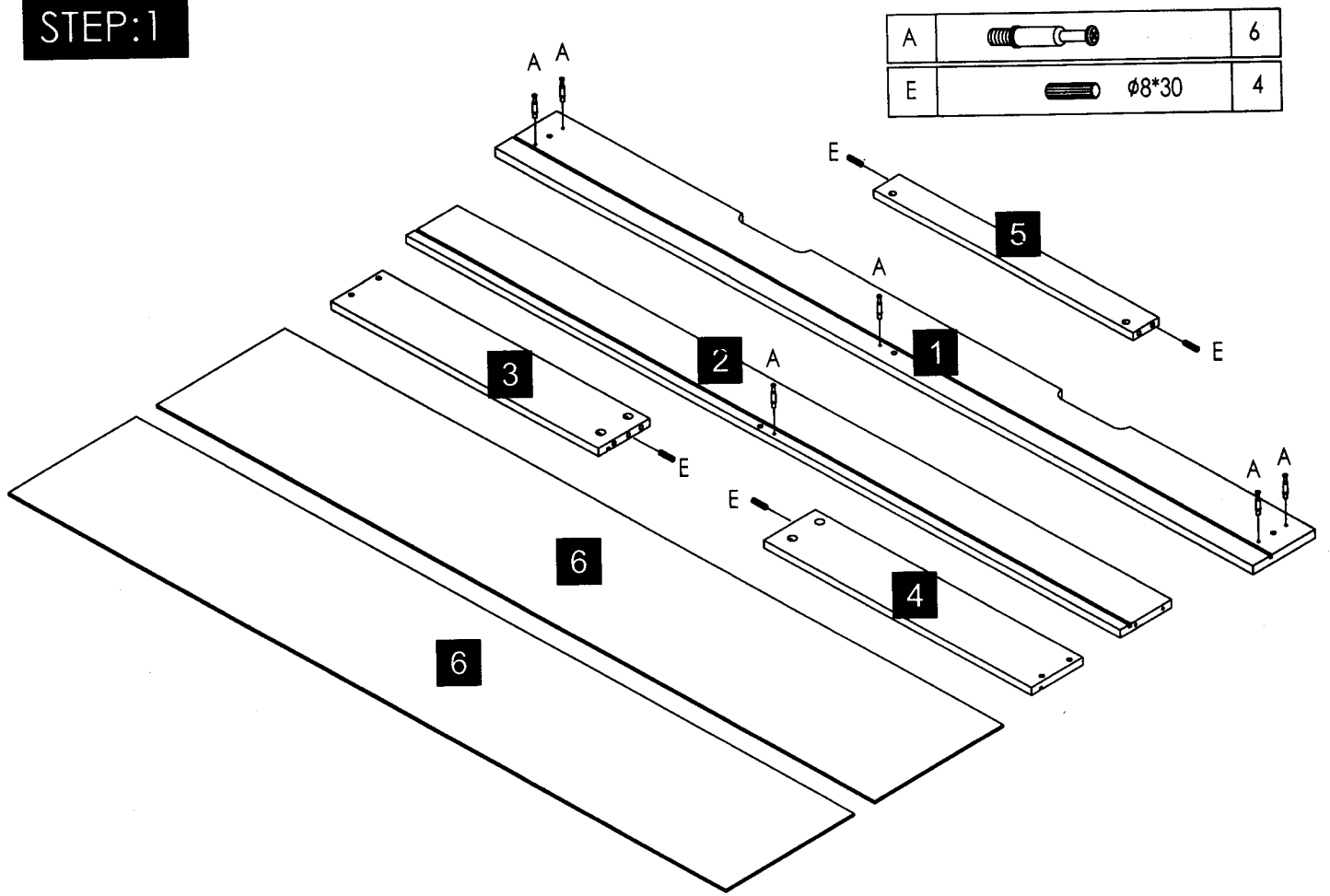
STEP:4



B		5
D		4
F	3.5*16	8

	3.5*16	8
G	1190 mm	1
H		1

STEP:1



STEP:2

