

ASSEMBLY INSTRUCTIONS

Read this instruction carefully. See hardware and furniture part list for guidance. Be sure all parts are complete, before you assemble. Place all wooden furniture parts on a clean and flat soft surface to prevent from being scratched. Follow the figure to start assembling.

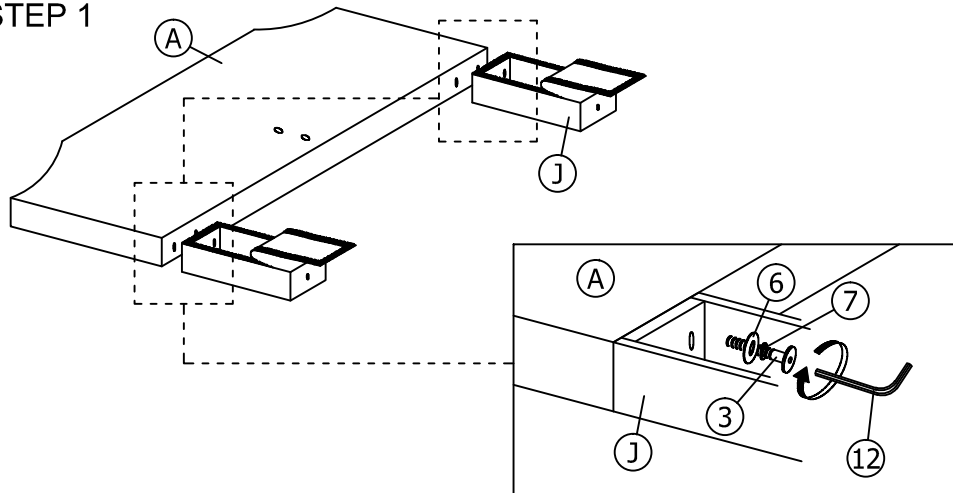
CAUTIONS : 1. Do not FULLY - TIGHTEN the nut or nut bolt until all nut or bolt is ready assembled.
2. Do not OVER - TIGHTEN the nut or bolt to avoid causing damages to the thread.
3. Keep all hardware parts out of reach of children.

NOTE : THE LIST AND QUANTITY SHOWN ARE FOR 1 UNIT ASSEMBLY.

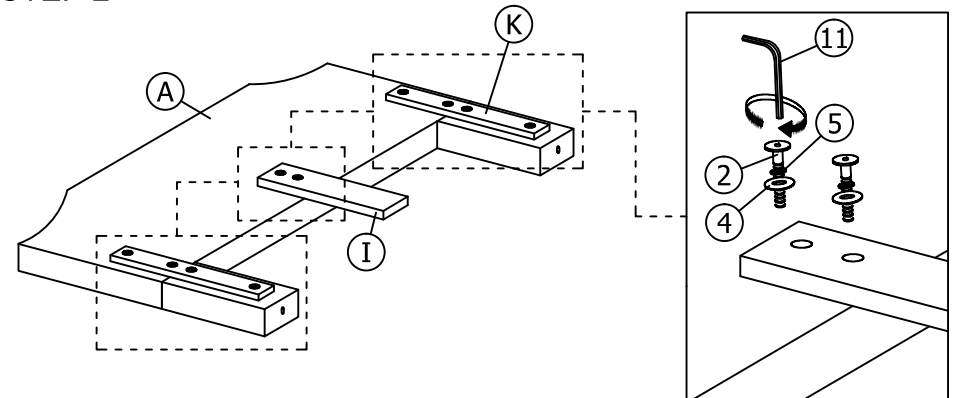
PART LIST		
ITEM	DESCRIPTION	QTY
A	HEADBOARD	1 PC
B	FOOTBOARD	1 PC
C	SIDE RAIL	2 PCS
D	CENTER RAIL	1 PC
E	CENTER SUPPORT LEG	3 PCS
F	BED SLAT	26 PCS
G	BED LEG	4 PCS
H	CENTER SUPPORT	2 PCS
I	HEADBOARD SUPPORT RAIL	1 PC
J	HEADBOARD BOX (L/R)	2 PCS
K	HEADBOARD SUPPORT WOOD	2 PCS

PART LIST		
ITEM	DESCRIPTION	QTY
1	JCBB BOLT M8 x 30mm	8 PCS
2	JCBC BOLT M6 x 40mm	10 PCS
3	JCBB BOLT M8 x 80mm	4 PCS
4	M6 Flat Washer	10 PCS
5	M6 Spring Washer	10 PCS
6	M8 Flat Washer	4 PCS
7	M8 Spring Washer	4 PCS
8	WOOD SCREW M3.5 x 16mm	8 PCS
9	BED SLAT SIDE FITTER	26 PCS
10	BED SLAT CENTER FITTER	13 PCS
11	M4 ALLEN KEY (Ball Shape)	1 PC
12	M5 ALLEN KEY (Ball Shape)	1 PC

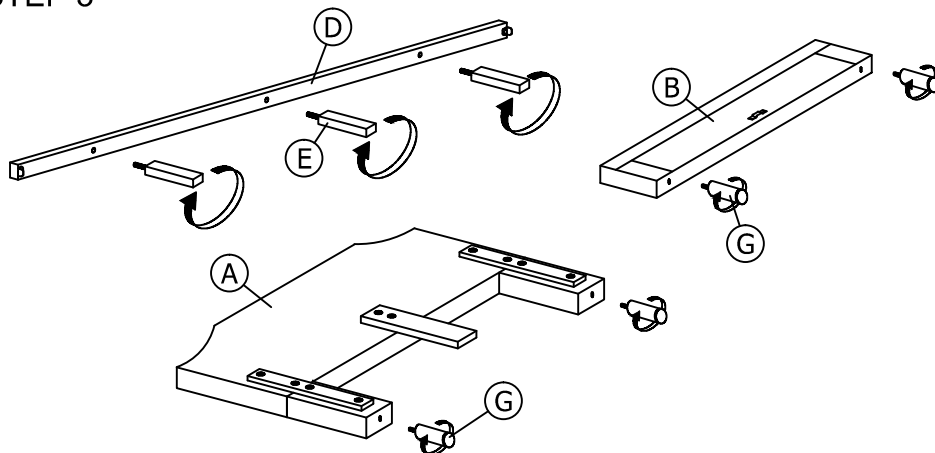
STEP 1



STEP 2



STEP 3



STEP 4

