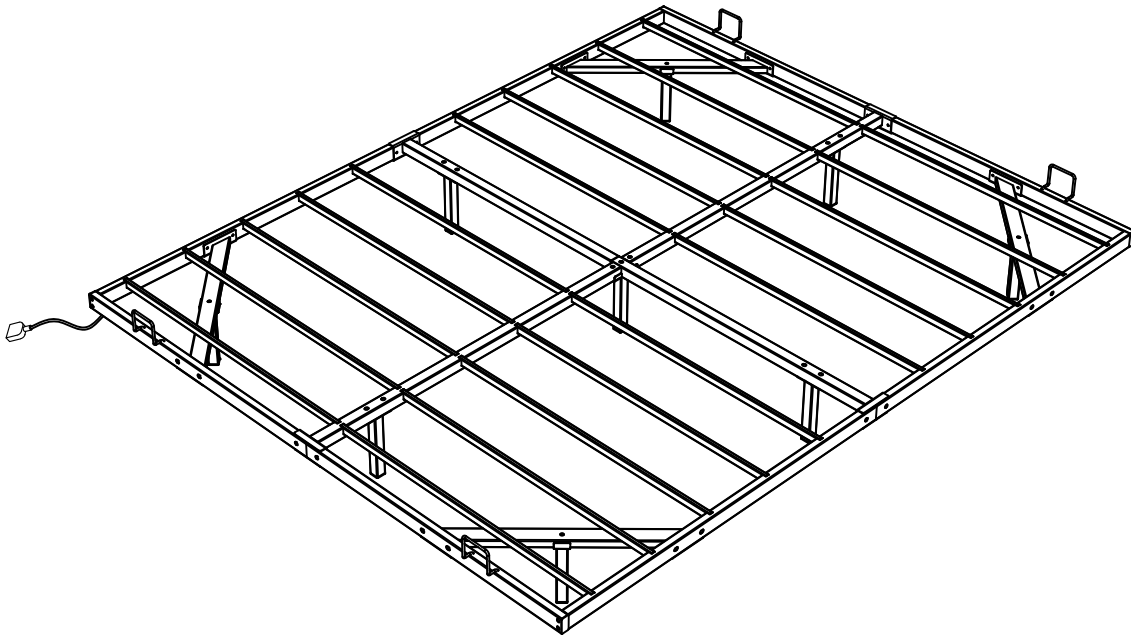


ASSEMBLY INSTRUCTIONS

DEAR CUSTOMER,

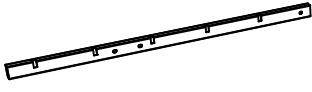
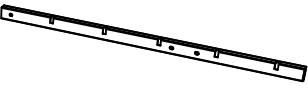
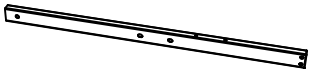
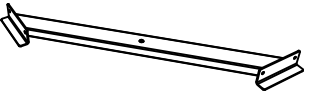

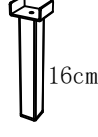
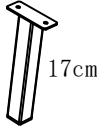
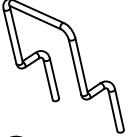

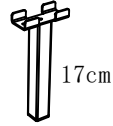
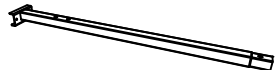

Caution:

1. Please read all instructions before assembly and check the carton for any parts that may have come loose during shipment. It is recommended to use two or more persons during the assembly process.
2. Please do not discard any packaging before you have checked all the parts and fittings are included. if for any reason this product needs to be returned it must be returned packed in its original packaging.
3. Assemble this product on a flat and clean surface to avoid scratching.
4. Please don't tighten the screws completely and go back later for a final tightening of all the screws after pieces are aligned with each other !



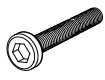



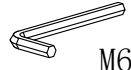

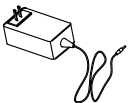


Parts List

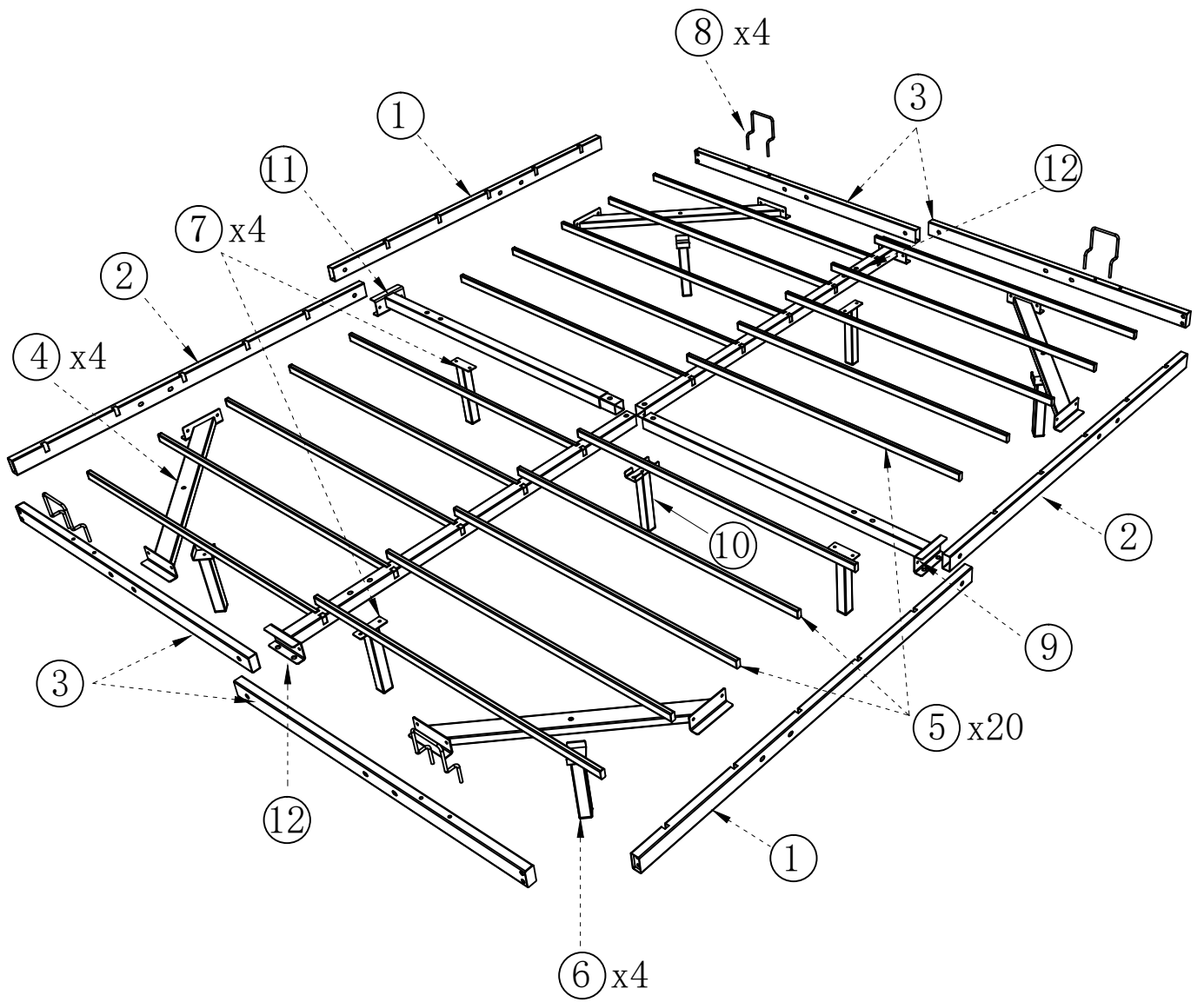
⚠ Pls make sure all the accesories are complete!

 ① 2 PCS	 ② 2 PCS	 ③ 4 PCS	 ④ 4 PCS
 ⑤ 20 PCS	 ⑥ 4 PCS	 ⑦ 4 PCS	 ⑧ 4 PCS
 ⑨ 1 PCS	 ⑩ 1 PCS	 ⑪ 1 PCS	 ⑫ 2 PCS

Hardware List

⚠ Pls make sure all the accesories are complete!

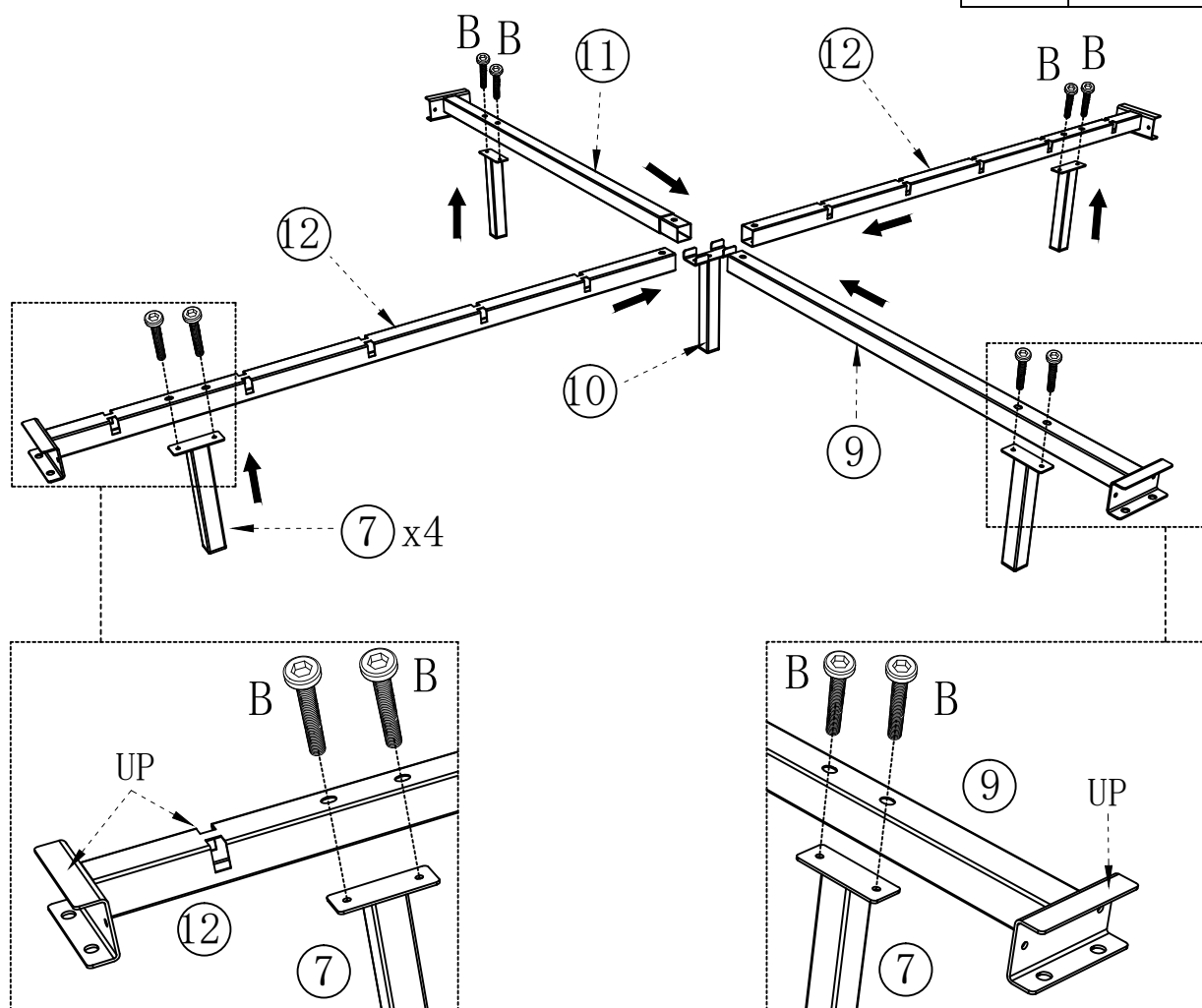
A	 M6*30mm 28 PCS	B	 M6*40mm 19 PCS	C	 M6*15mm 8 PCS
D	 Ø16*Ø7*1mm 28 PCS	E	 M6 1 PCS	F	 1 PCS
G	 1 PCS	H	 1 PCS	I	 1 PCS



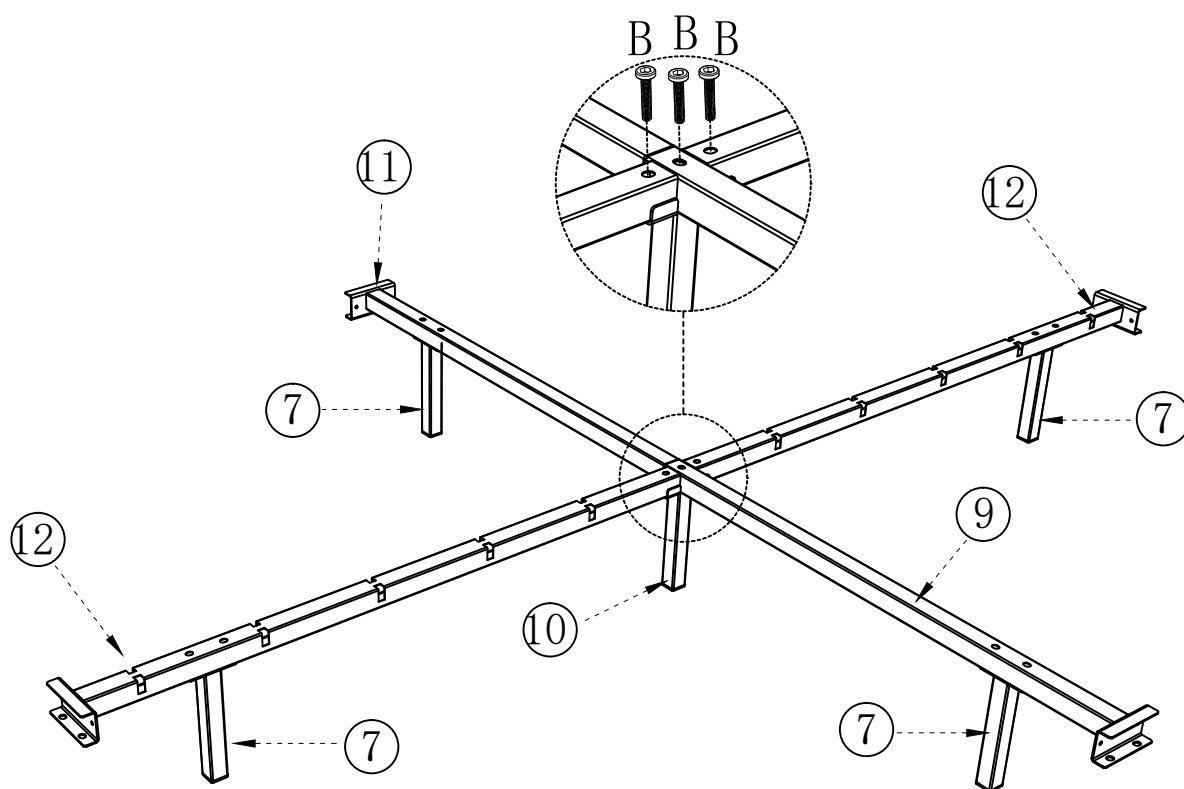
1

B

M6*40mm 8PCS



2



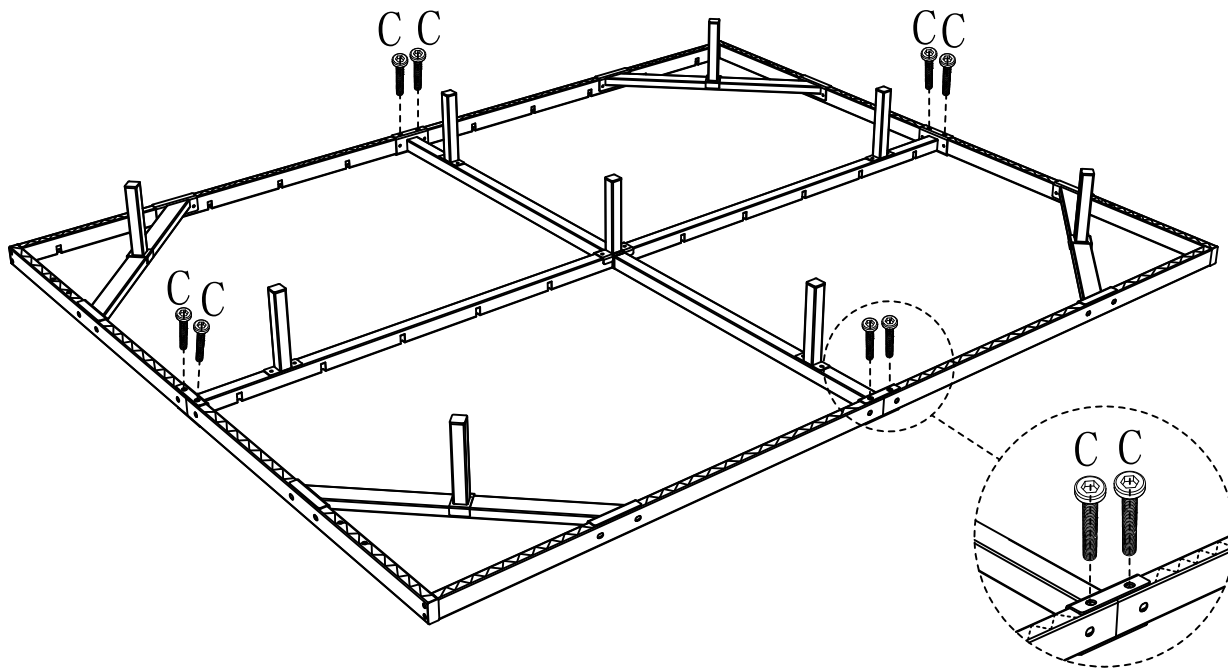
B

M6*40mm 3PCS

5

C

M6*15mm 8PCS



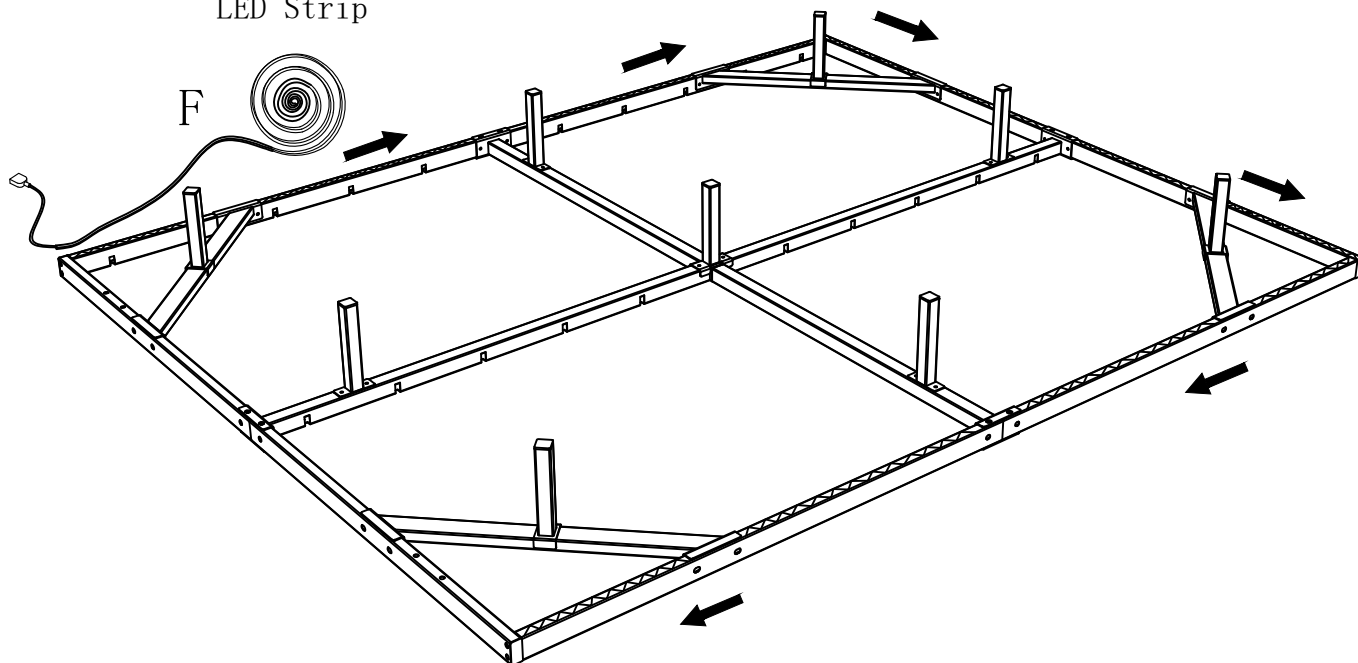
6

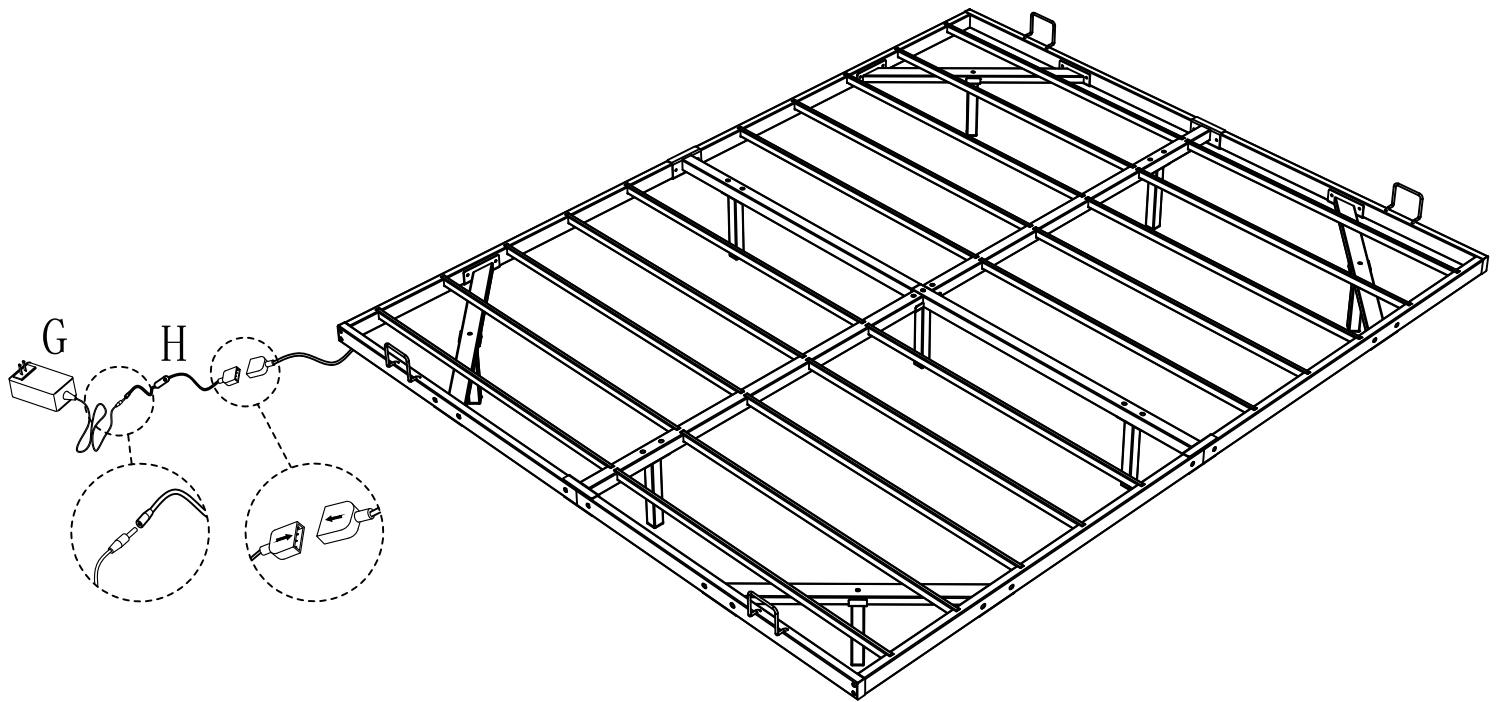
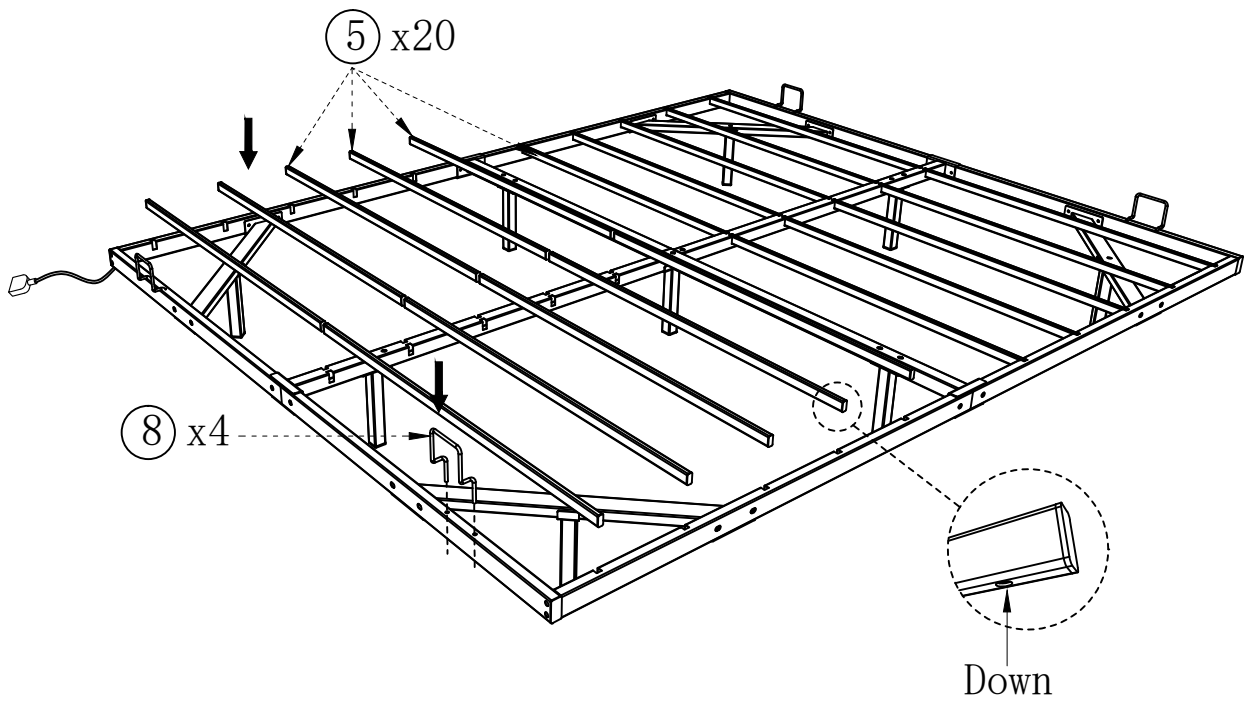
F

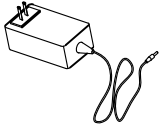

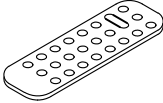
1PCS



LED Strip





 G 1 PCS	 H 1 PCS	 I 1 PCS
--	--	--