

Attention: Do not tighten the bolts and screws before the allen bolts are in place

USER'S MANUAL

Twin over Twin bunk bed

20HCVNTTBB03-WT-01

20HCVNTTBB03-WT-02



SAFETY WARNINGS



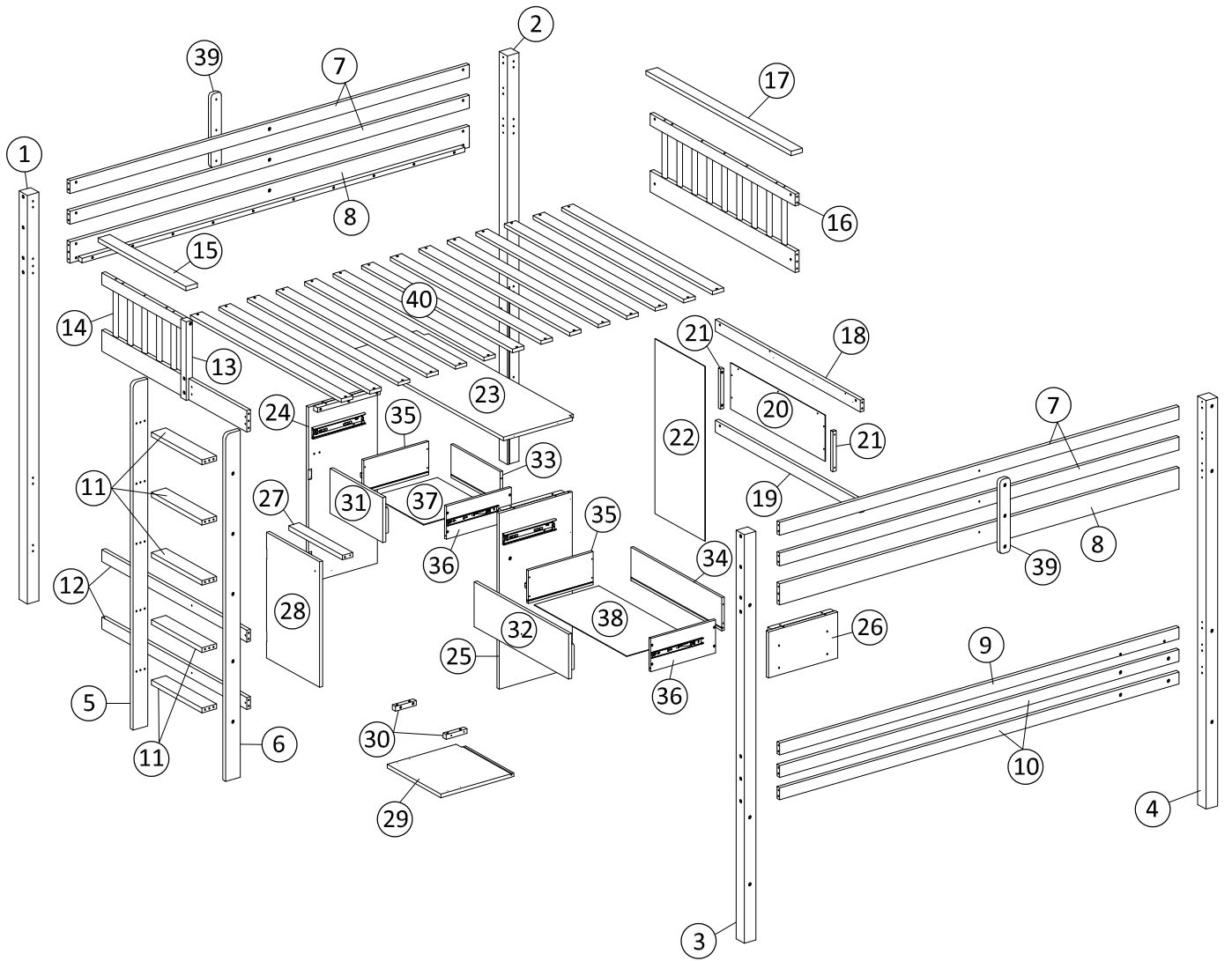
1. This bed is designed for use only mattress(es) meeting the following specifications on the upper bunk:
Upper bunk (bunk bed and tribed included)

Upper bed

<i>Bed Type</i>	<i>Length</i>	<i>Width</i>	<i>Thickness</i>
<i>Twin Standard</i>	<i>74"-75"</i>	<i>38 1/2"</i>	<i>6" max</i>

2. Replacement parts, including additional guardrails, maybe obtained from any of our 6/7 Manulife Place, 348 Kwun Tong Road, Kowloon, Hong Kong dealers.
3. Follow the information on the warnings appearing on the upper bunk bed end structure and on the carton. Do not remove warning label from bed.
4. Always use the recommended size mattresses or mattress supports, or both, to help prevent the likelihood of entrapment or falls.
5. Surface of the mattress must be at least 5". (127 mm) below the upper edge of guardrails part 7.
6. Do not allow children under 6 years of age to use the upper bunk.
7. Periodically check and ensure that the guardrail, ladder, and other components are in their proper position, free from damage, and that all connectors are tight.
8. Do not allow horseplay on or under the bed and prohibit jumping on the bed
9. Always use the ladder for entering and leaving the upper bunk.
10. Do not use substitute parts. Contact the manufacturer or dealer for replacement parts.
11. Use of a night light may provided added safety precaution for a child using the upper bunk.
12. Always use guardrails on both long sides of the upper bunk. If the bunk bed will be placed next to the wall, the guardrail that runs the full length of the bed should be placed against the wall to prevent entrapment between the bed and wall.
13. The use of water or sleep flotation mattresses is prohibited.
14. STRANGULATION HAZARD - Never attach or hang items to any part of the bunk bed that are not designed for use with the bed; for example, but not limited to, hook, belts and jump ropes.
15. Keep these instructions for future reference
16. Prohibit more than one person on upper bunk.
17. We recommend assembling your bunk bed on the shipping carton to protect your floor or carpet.
18. Be certain all staples are out of the box before beginning assembly on the shipping carton.

Detail:



BEFORE YOU GET STARTED, A FEW POINTS



Having a friend to help makes assembly extra-easy



Mind the important safety information

Place all parts on a clean, scratch-free surface.

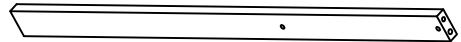
PLEASE MAKE SURE ALL THE PARTS ARE INCLUDED (BOX 1).

11



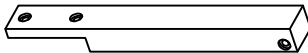
Ladder *5

12



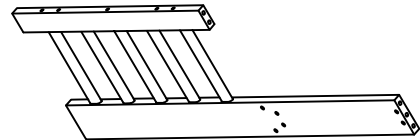
Left Woodbar *2

13



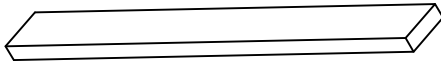
Front Wood Bar *1

14



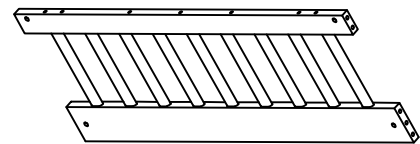
Left Guard Rail *1

15



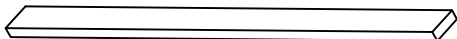
Top Wood Bar *1

16



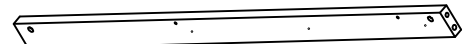
Headboard *1

17



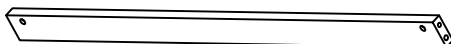
Wood Bar *1

18



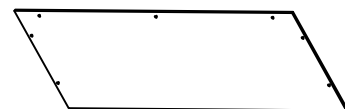
Guard *1

19



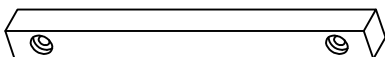
Guard *1

20



Small panel *1

21



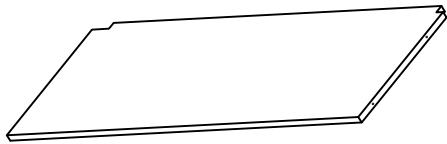
Wood Bar *2

22



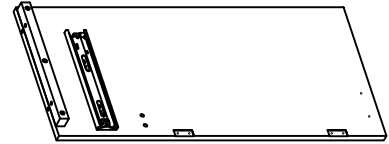
Big panel *1

23



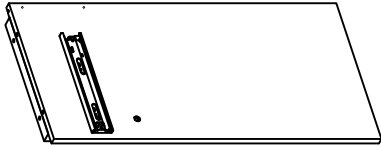
Top Table *1

24



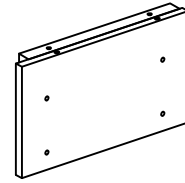
Side Cabinet *1

25



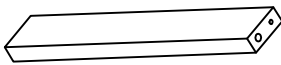
Side Cabinet *1

26



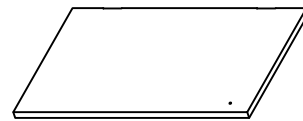
Side Table *1

27



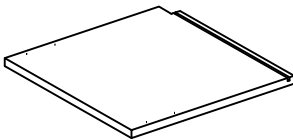
Wood Bar *1

28



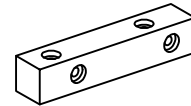
Door *1

29



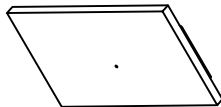
Bottom Cabinet *1

30



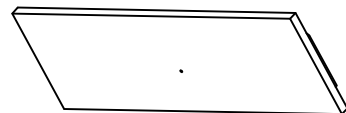
Wood Bar *2

31



Front Drawer (Short) *1

32



Front Drawer (Long) *1

33



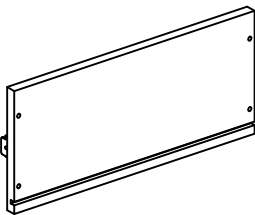
Back Drawer (Short) *1

34



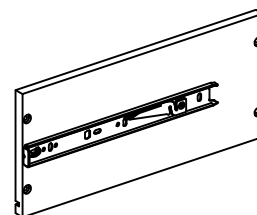
Back Drawer (Long) *1

35



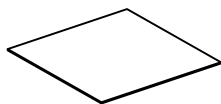
Left Panel Of Drawer *2

36



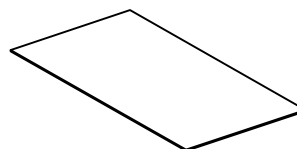
Right Side Panel Of Drawer *2

37



Bottom Drawer (Short) *1

38



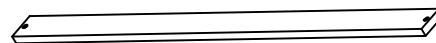
Bottom Drawer (Long) *1

39



Wood Bar Of Back Panel *2

40



Slats *14

A



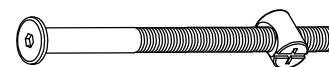
Dowel Ø8*30mm
(74pcs)

B



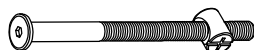
Allen key 60*22*4mm
(1pc)

C



Bolts M6*110mm
(37pcs)

D



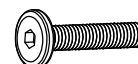
Bolts M6*80mm
(1pc)

E



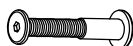
Bolts M6*60mm
(10pcs)

F



Bolts M6*30mm
(22pcs)

G



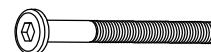
Bolts M6*25mm
(10pcs)

H



Bolts M6*20mm
(2pcs)

I



Bolts M6*60mm
(6pcs)

J



Bolts M6*25mm
(2pcs)

K



Flat head screw #8*60mm
(10pcs)

L



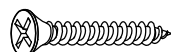
Flat head screw #8*25mm
(8pcs)

M



Flat head screw #8*20mm
(4pcs)

N



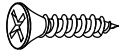
Flat head screw #8*30mm
(30pcs)

O



Flat head screw #7*15mm
(2pcs)

P



Flat head screw #7*12mm
(6pcs)

Q



Flat head screw #6*12mm
(10pcs)

R



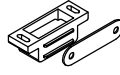
Cross dowel Ø10*10mm
(10pcs)

T



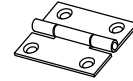
Pat L
(3pcs)

U



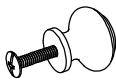
Inhaler magnet
(1pc)

V



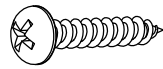
Door Hinge
(2pcs)

W



Handle
(3pcs)

X



Round head screw
#8*15mm
(7pcs)

Missing parts?



hyltech@outlook.com

BEFORE YOU GET STARTED, A FEW POINTS



Having a friend to help makes assembly extra-easy

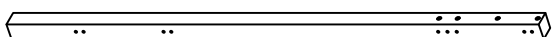


Mind the important safety information

Place all parts on a clean, scratch-free surface.

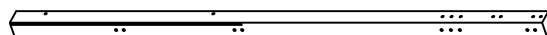
PLEASE MAKE SURE ALL THE PARTS ARE INCLUDED (BOX 2).

1



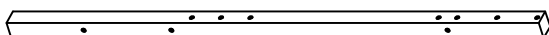
Back Left Leg *1

2



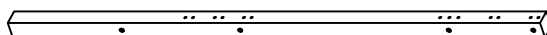
Back Right Leg *1

3



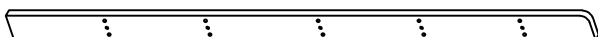
Front Left Leg *1

4



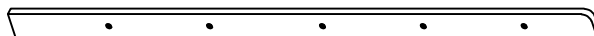
Front Right Leg *1

5



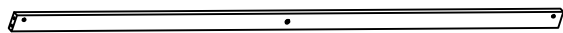
Left Leg Ladder *1

6



Right Leg Ladder *1

7



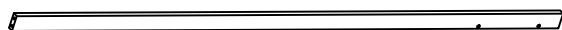
Back Guard Rail *4

8



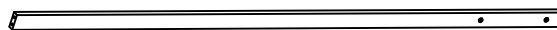
Side Rail *2

9



Top Wood Bar *1

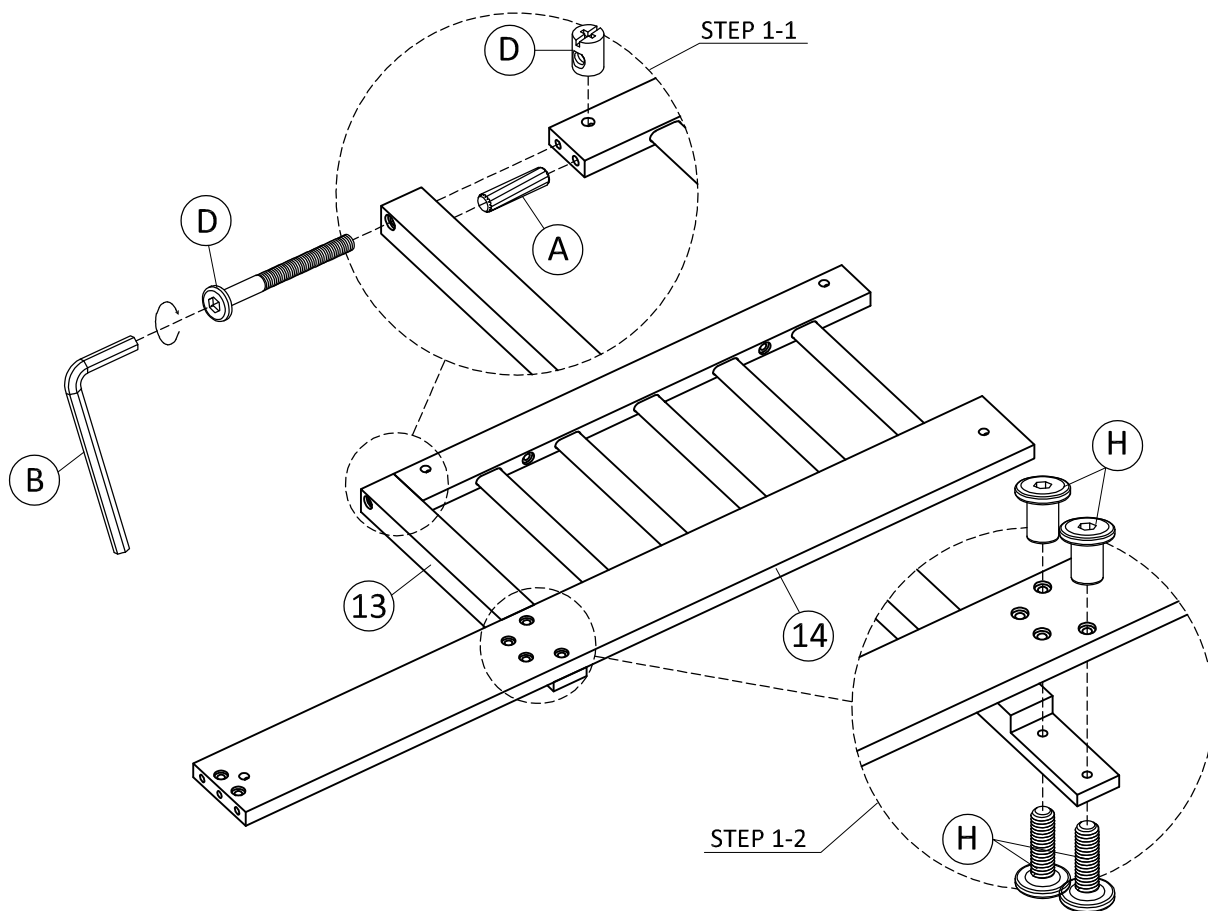
10



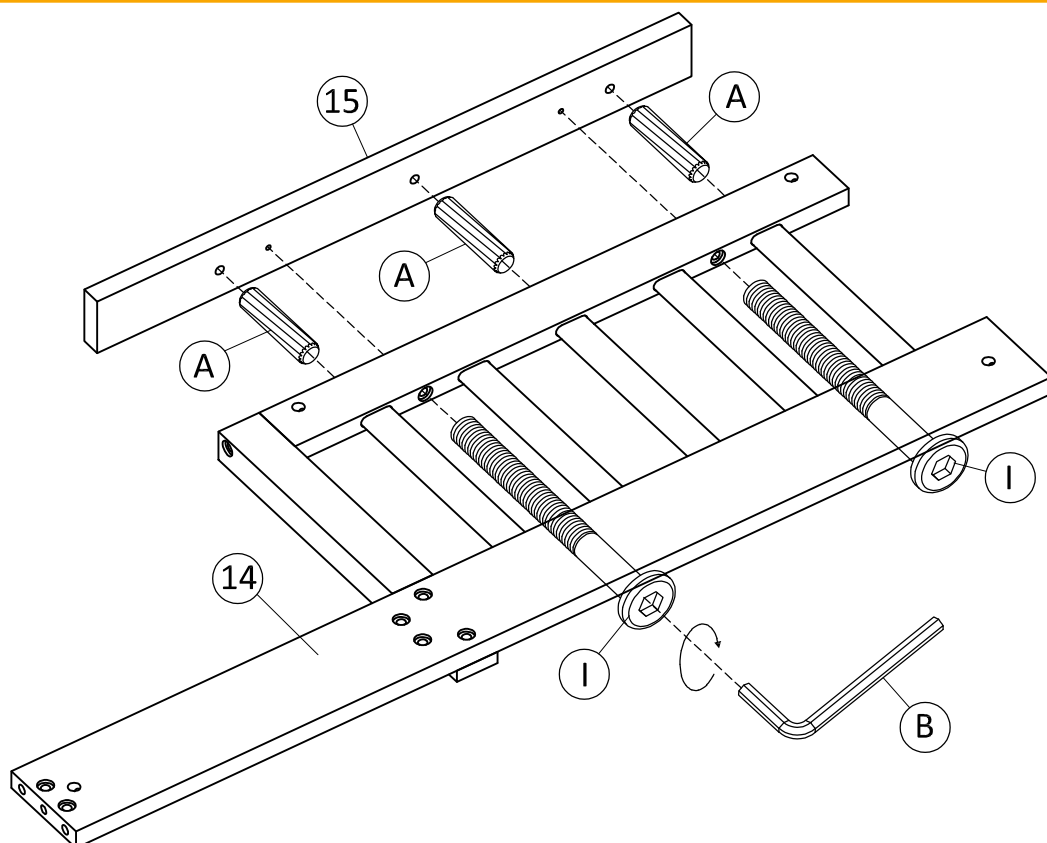
Bottom Wood Bar *2

ASSEMBLY INSTRUCTIONS - ATTENTION

STEP 1

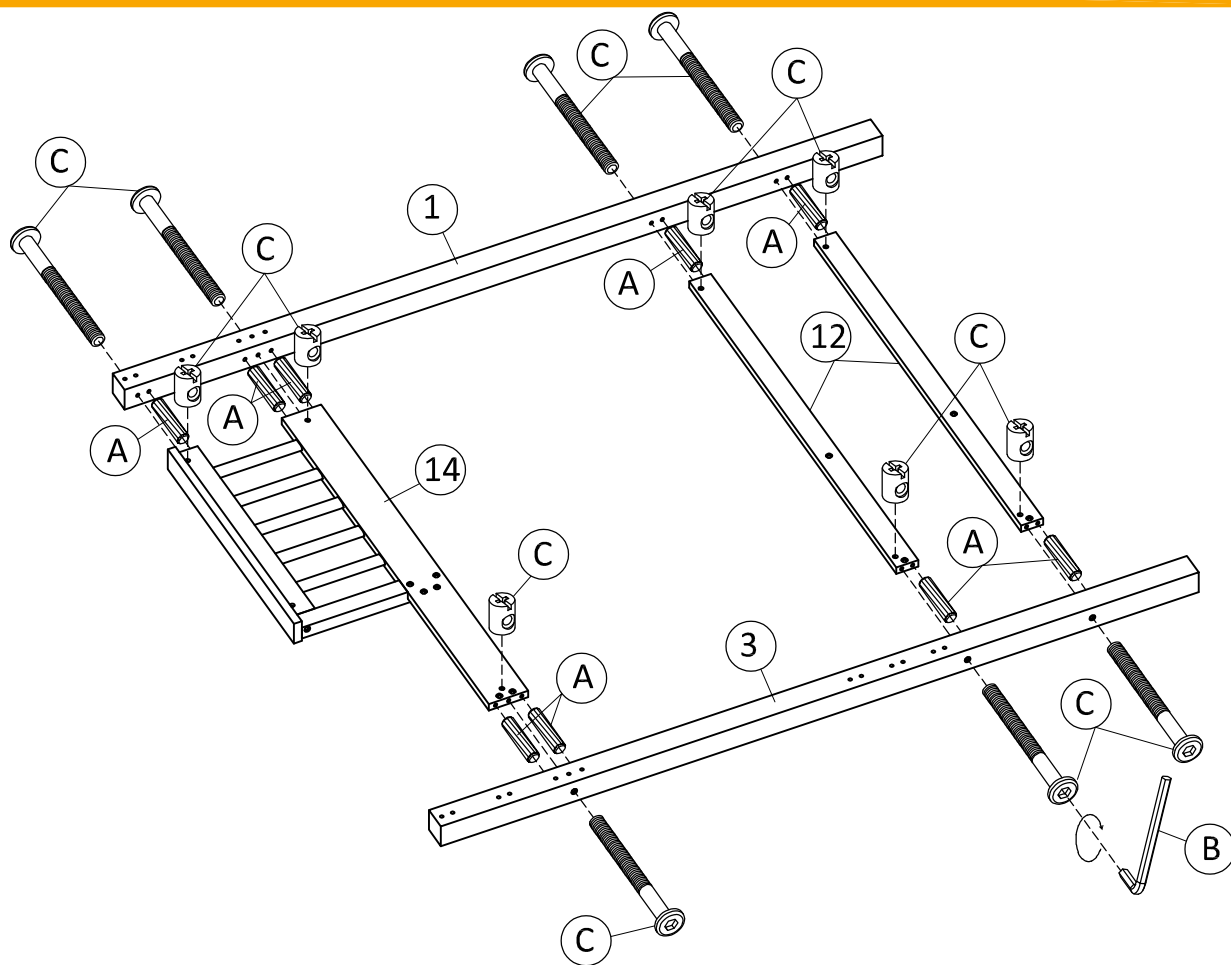


STEP 2

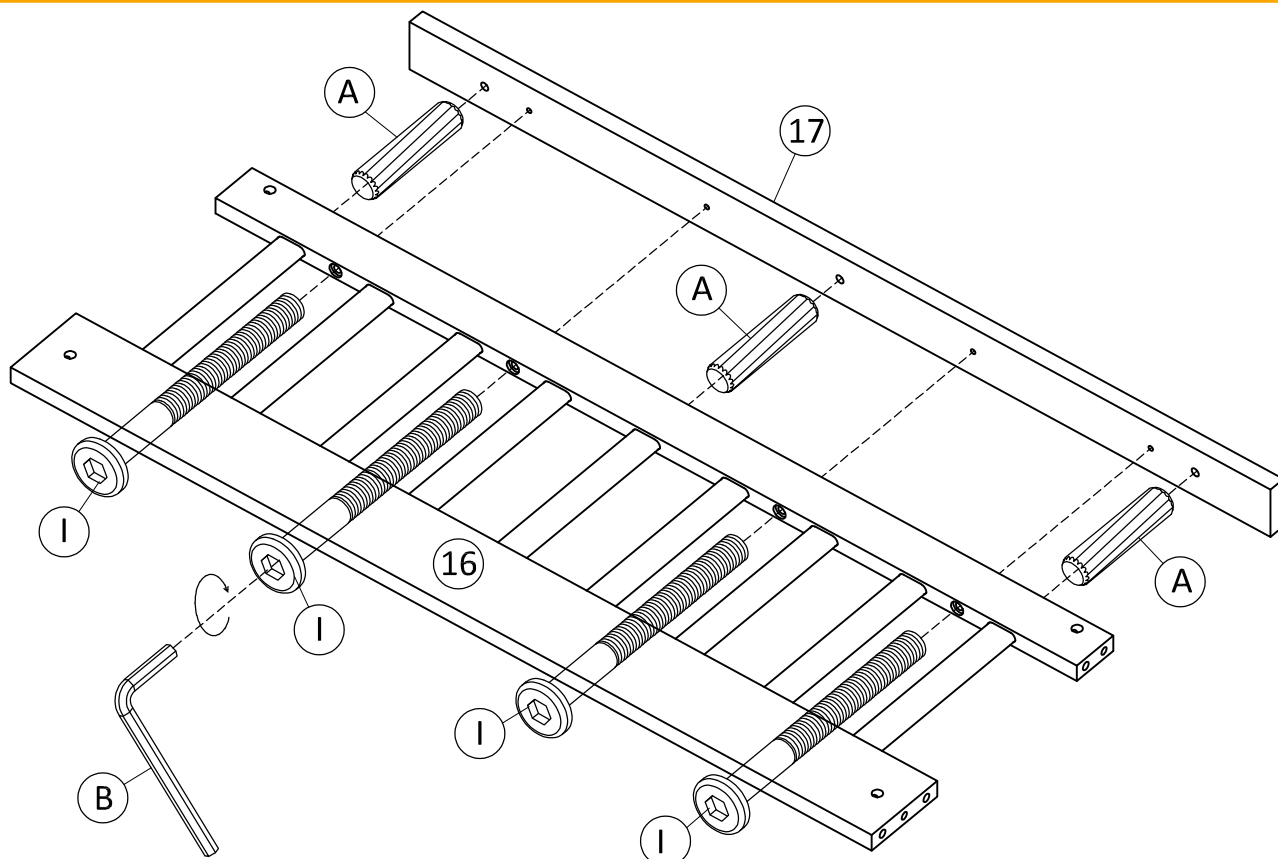


ASSEMBLY INSTRUCTIONS - ATTENTION

STEP 3

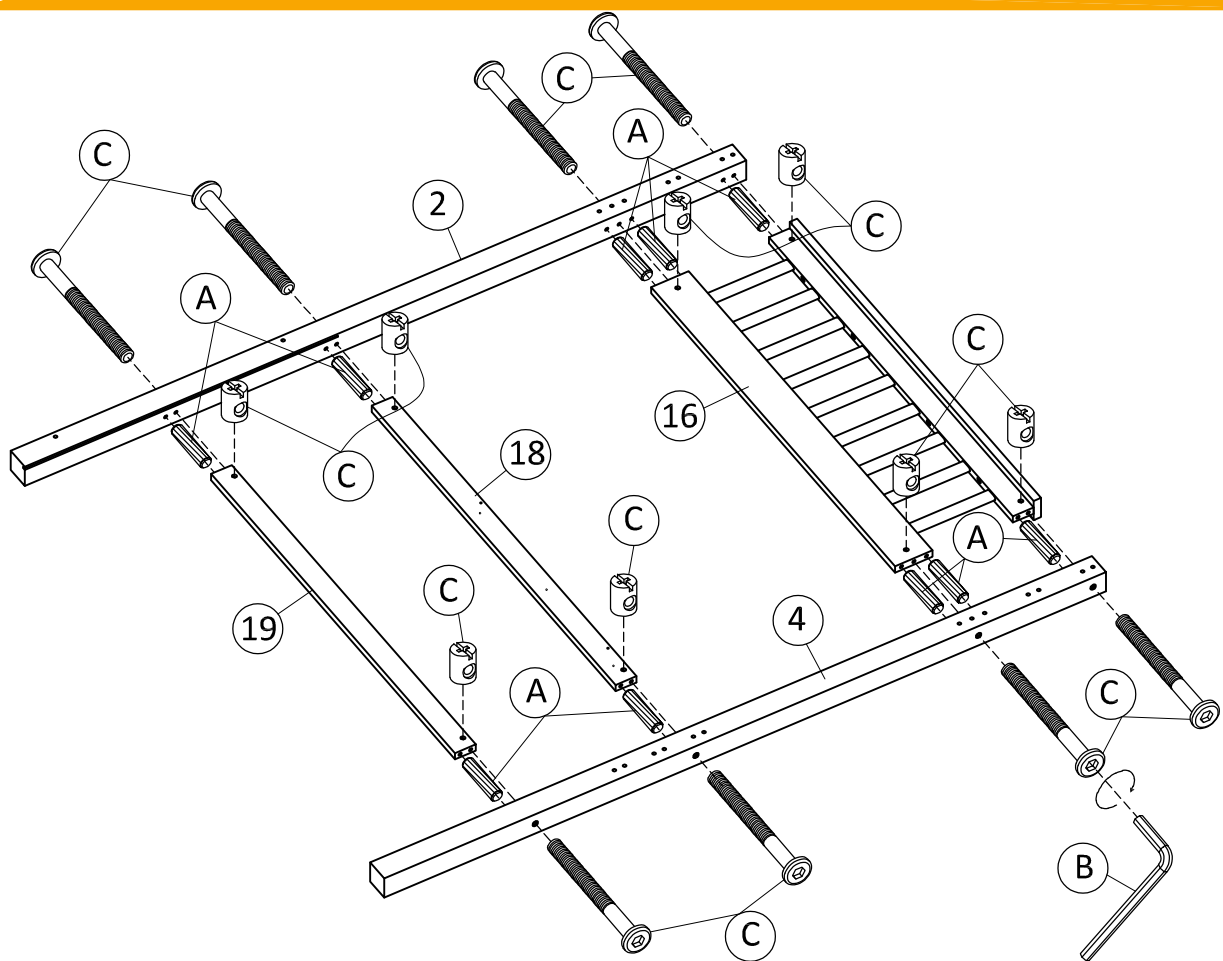


STEP 4

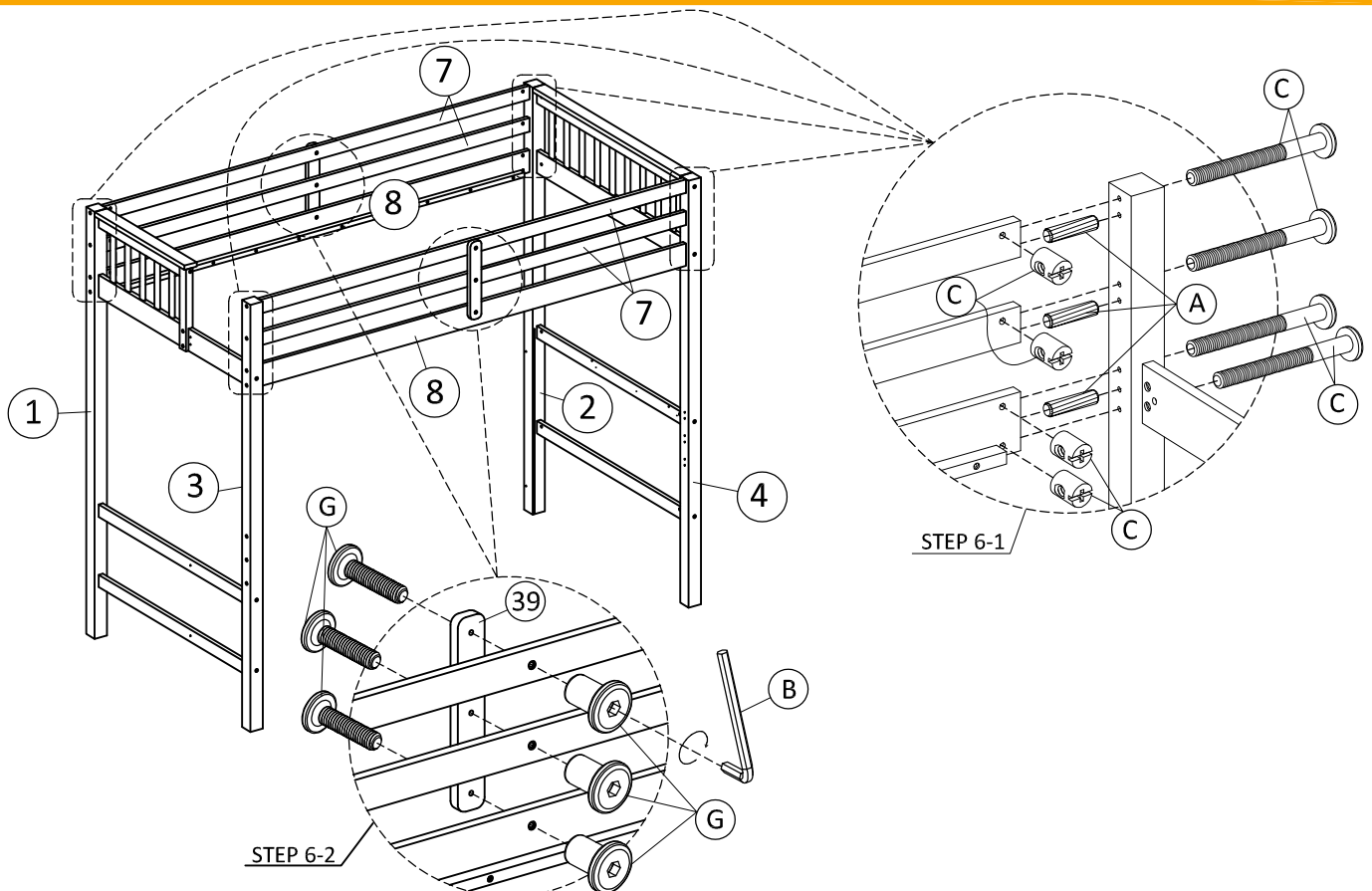


ASSEMBLY INSTRUCTIONS - ATTENTION

STEP 5

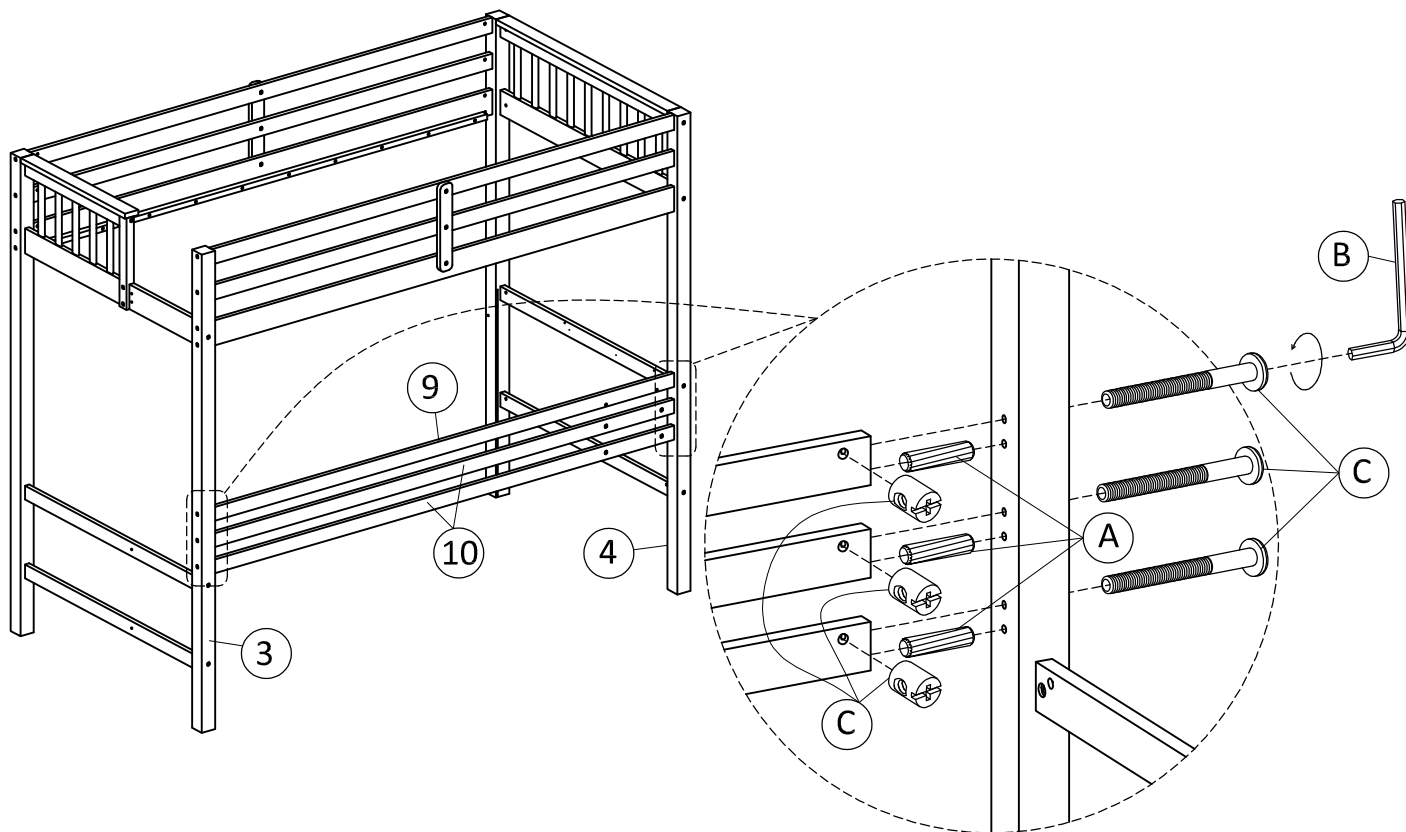


STEP 6

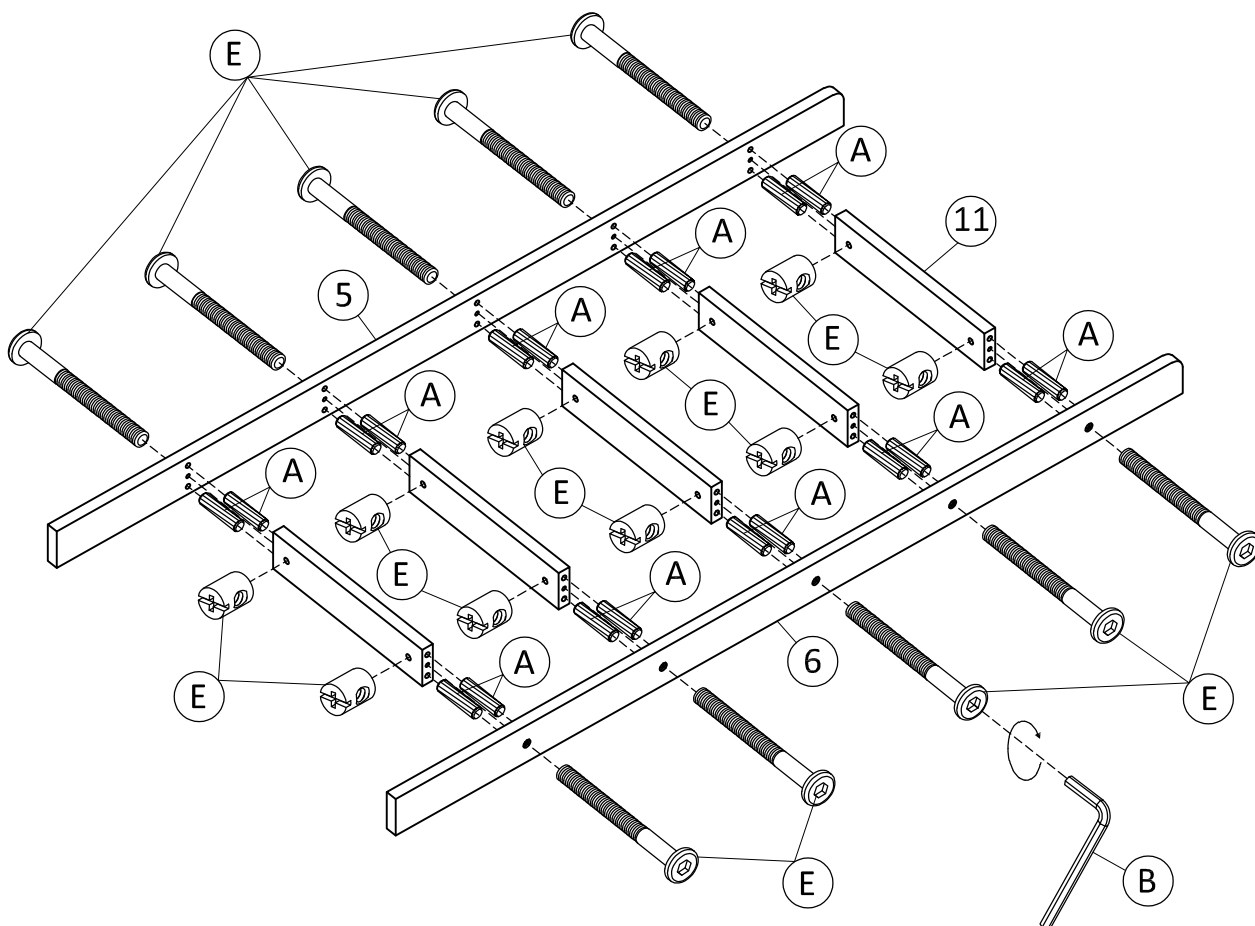


ASSEMBLY INSTRUCTIONS - ATTENTION

STEP 7

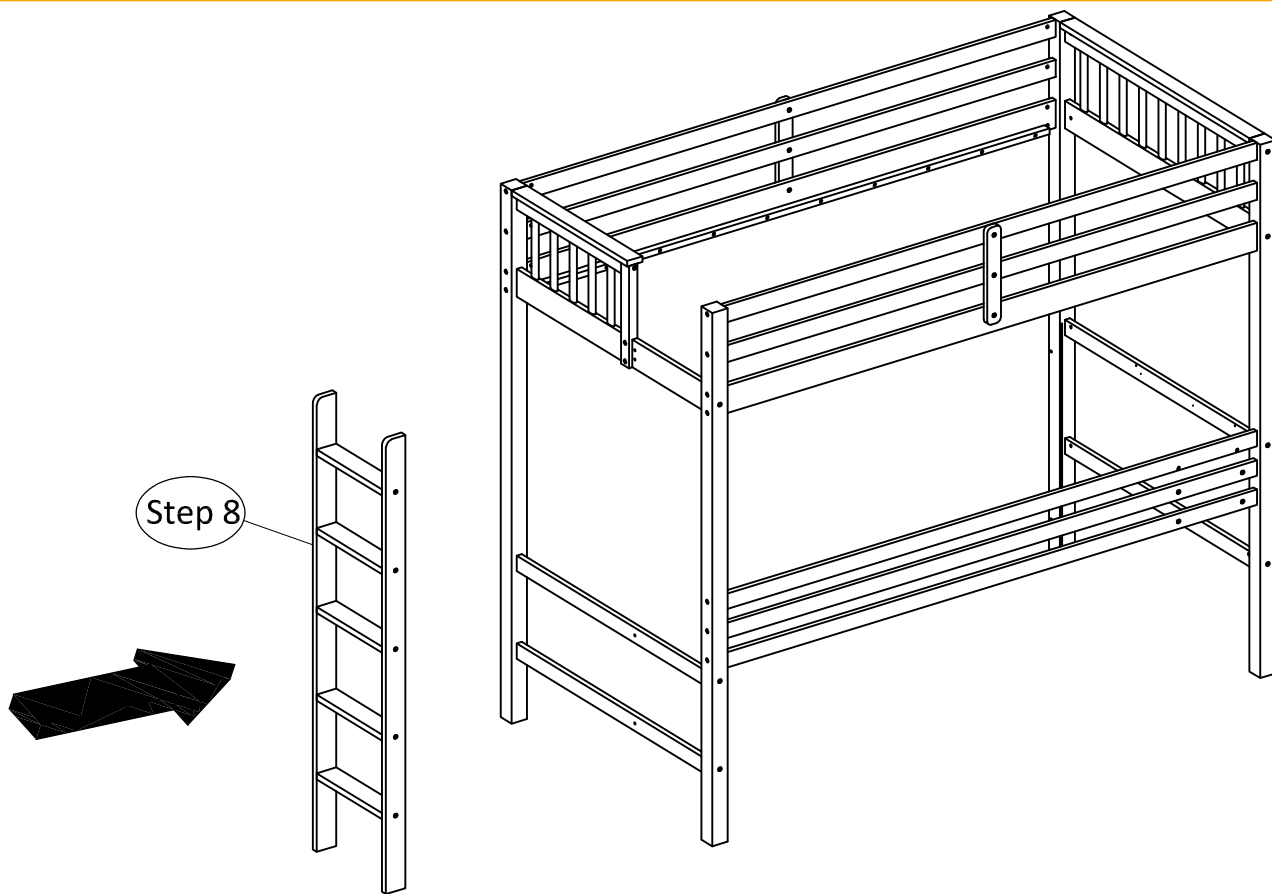


STEP 8

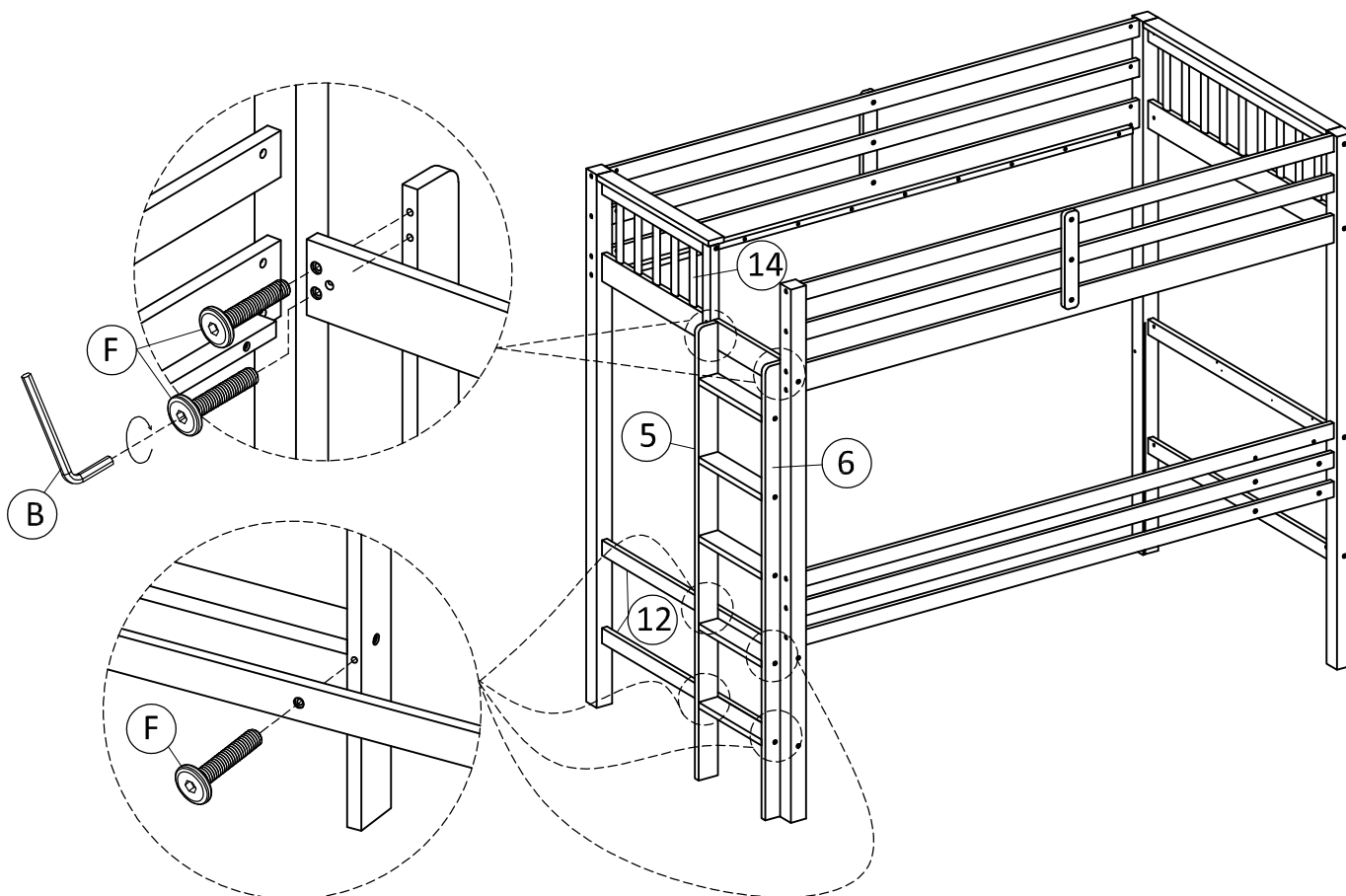


ASSEMBLY INSTRUCTIONS - ATTENTION

STEP 9

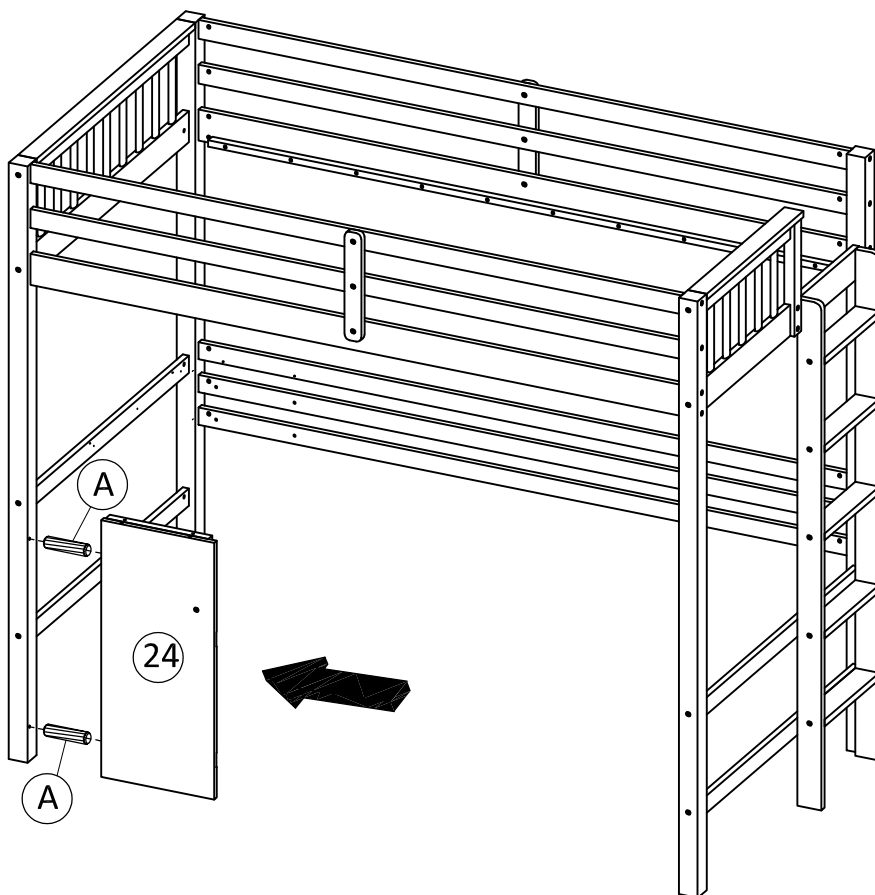


STEP 10

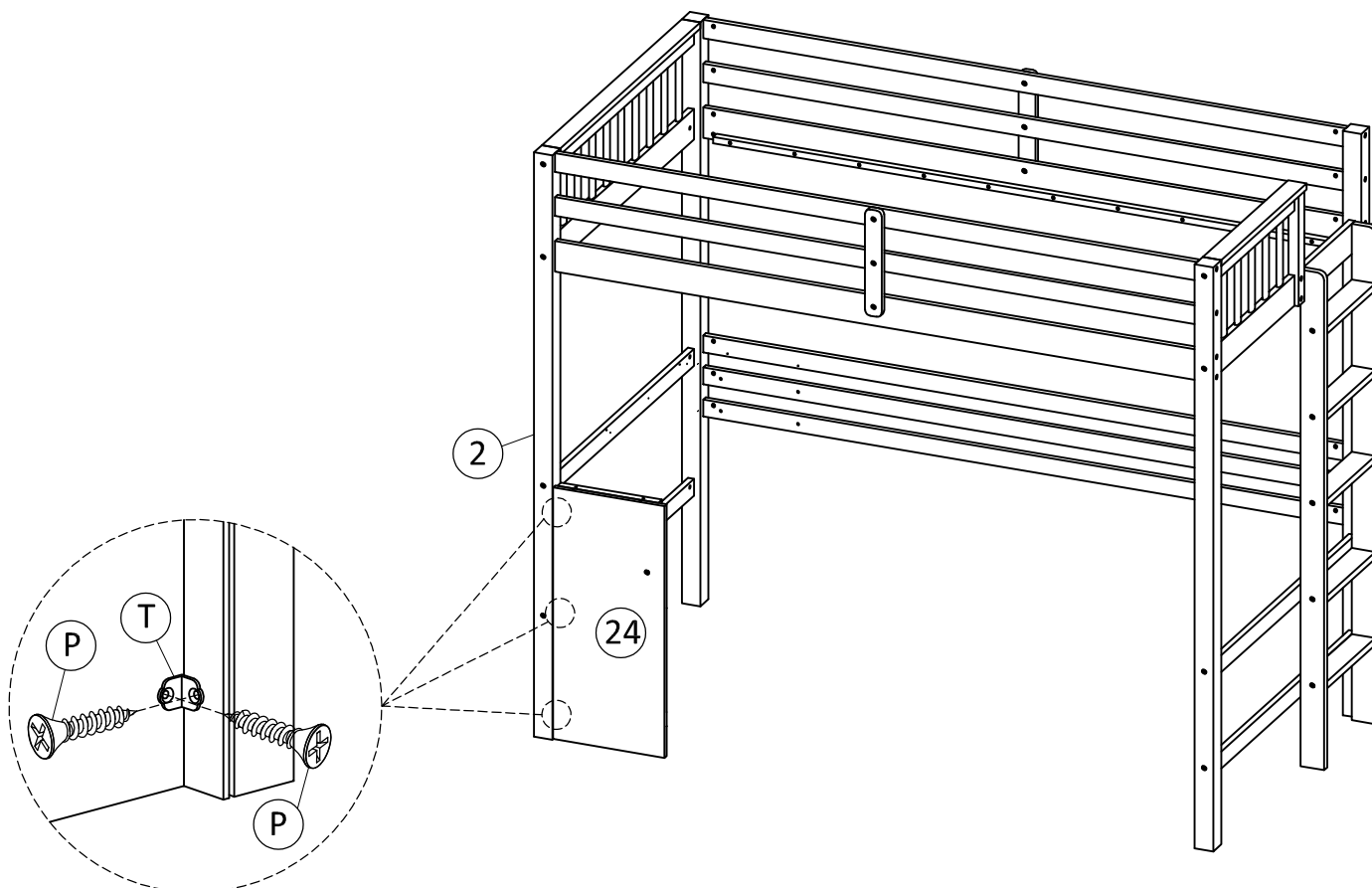


ASSEMBLY INSTRUCTIONS - ATTENTION

STEP 11

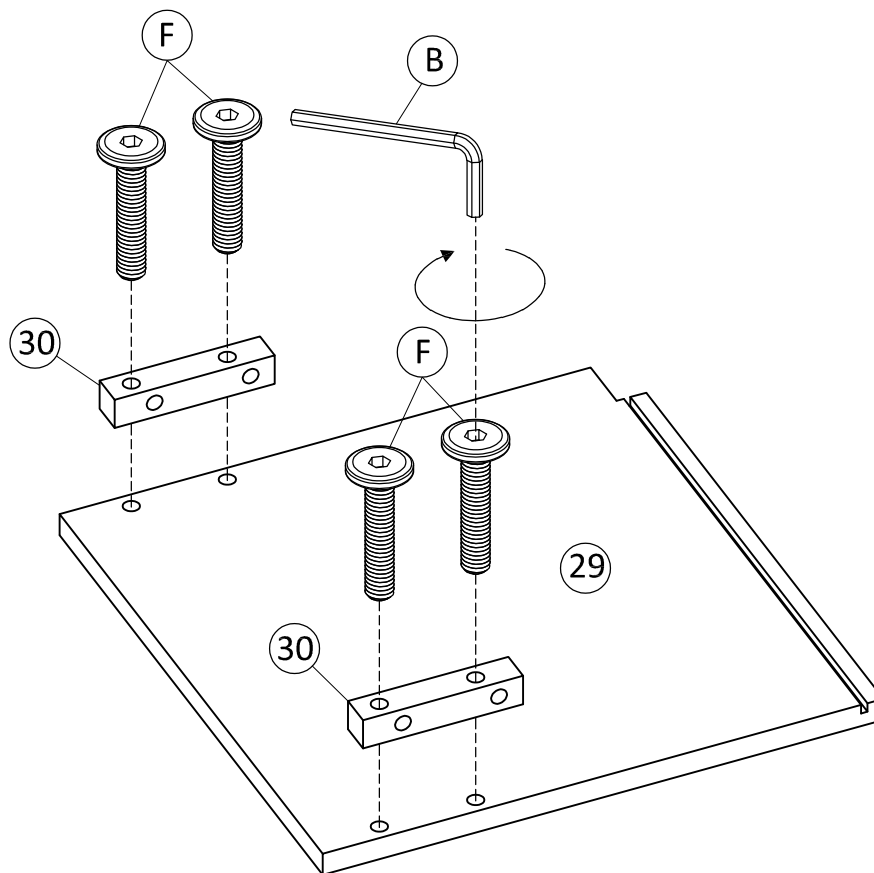


STEP 12

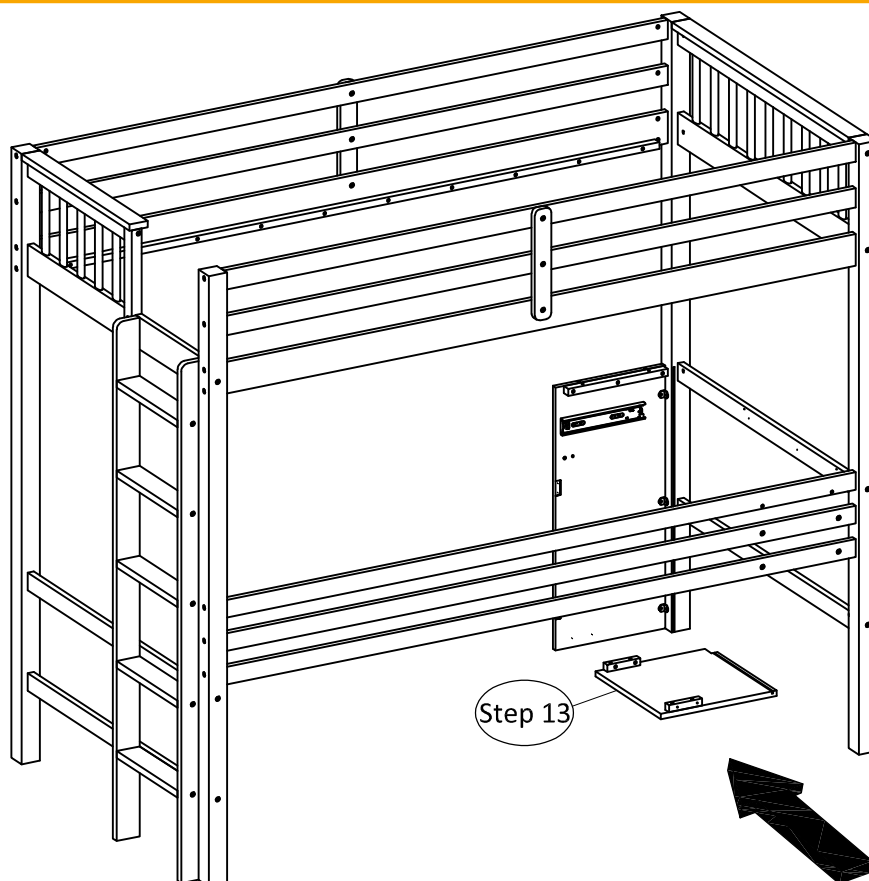


ASSEMBLY INSTRUCTIONS - ATTENTION

STEP 13

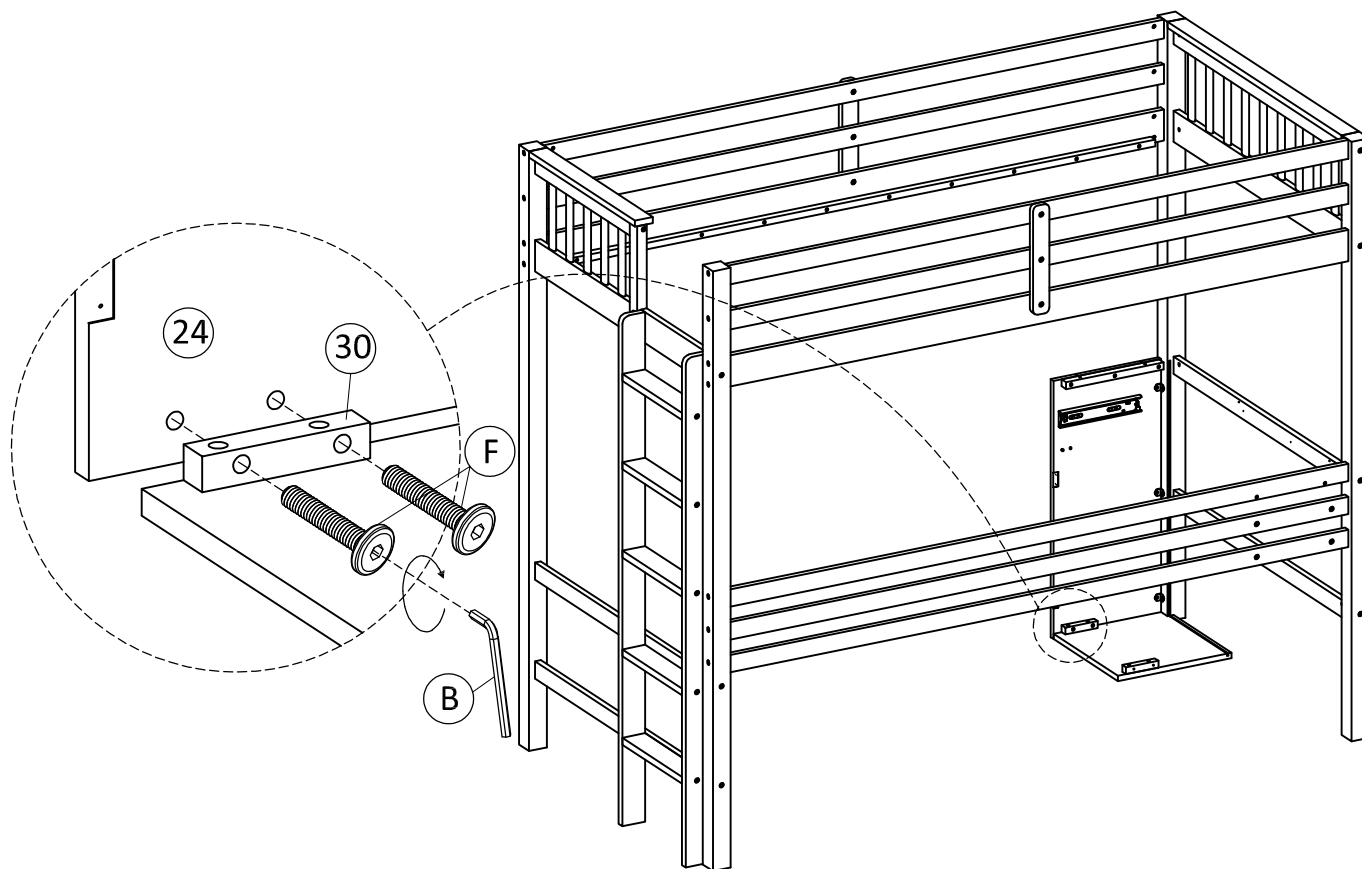


STEP 14

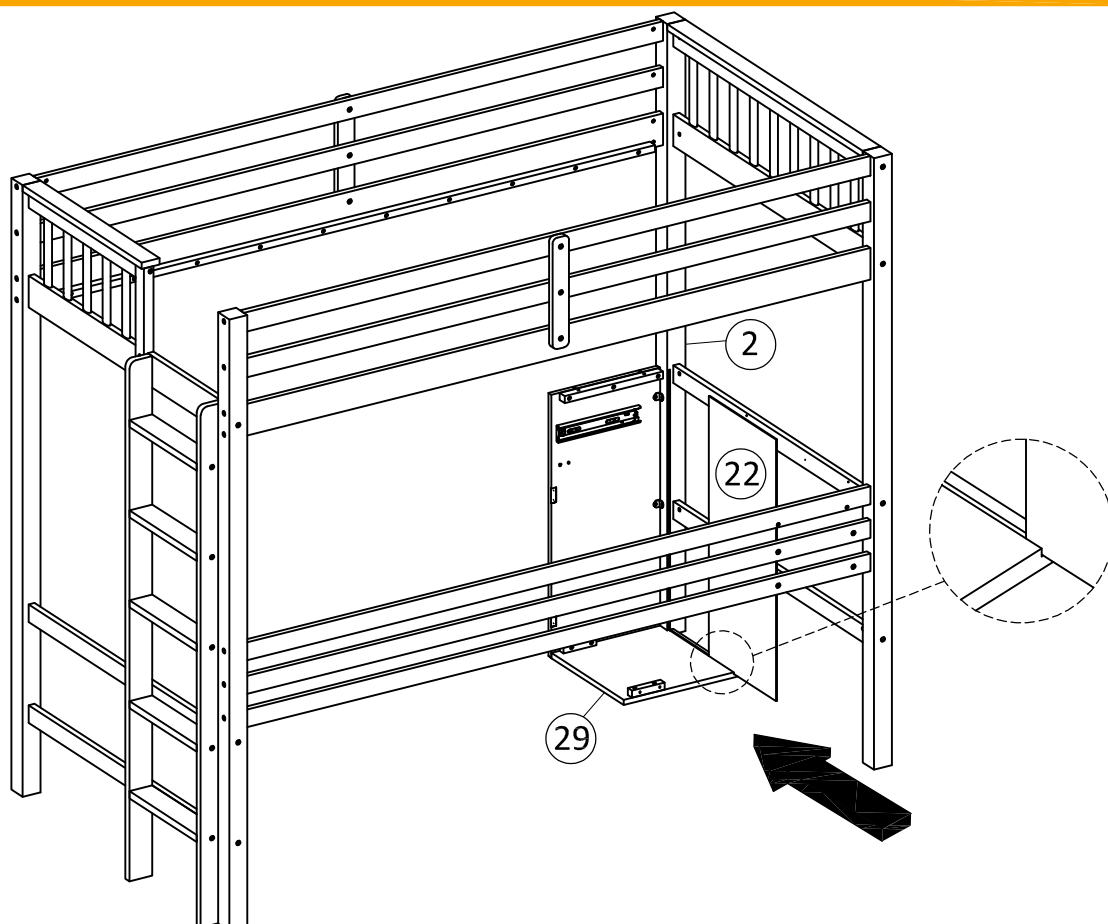


ASSEMBLY INSTRUCTIONS - ATTENTION

STEP 15

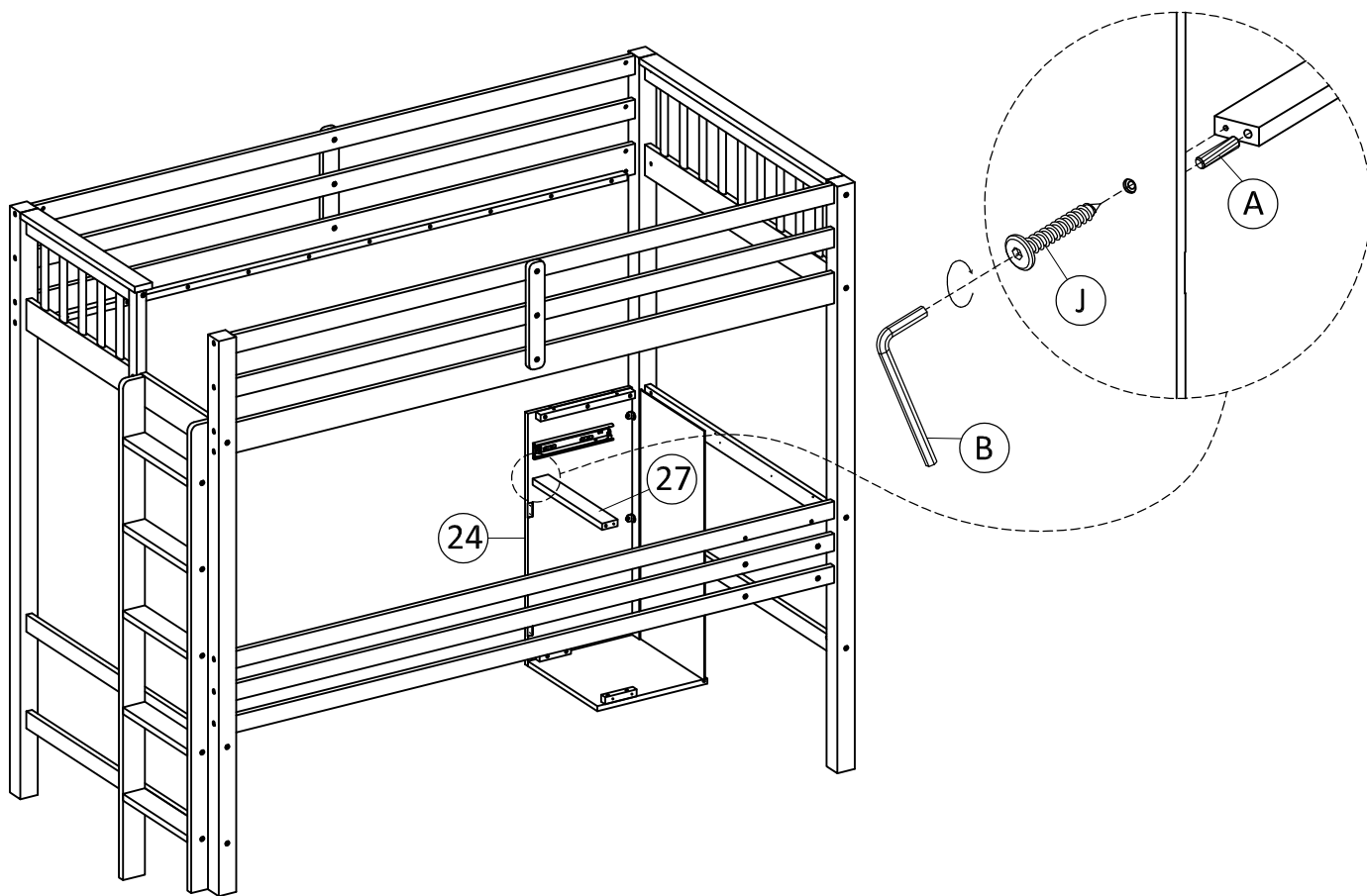


STEP 16

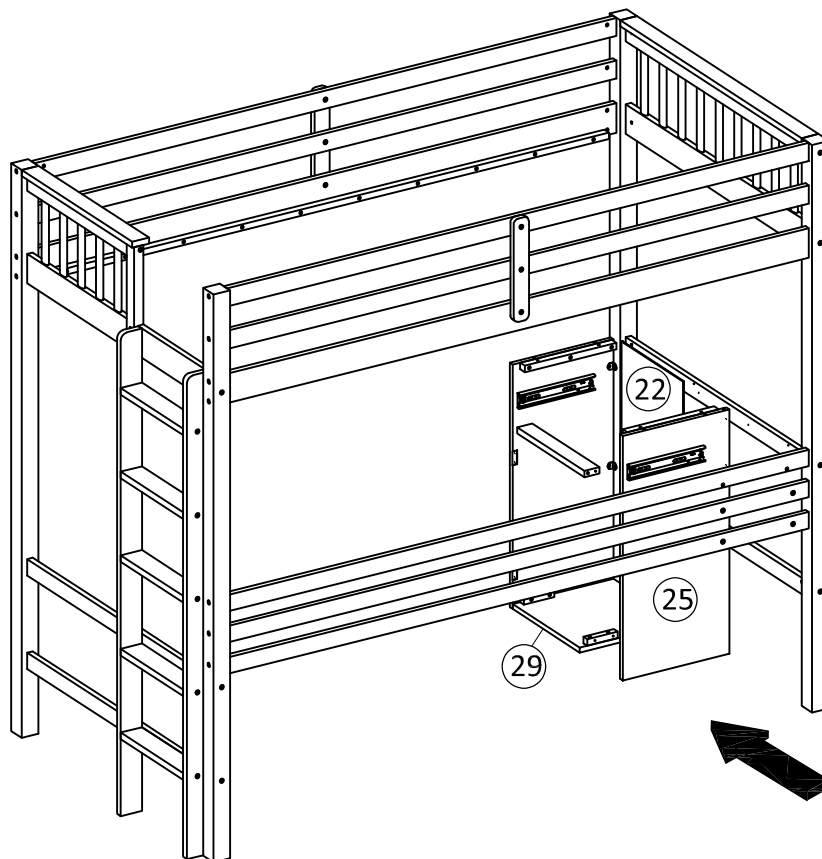


ASSEMBLY INSTRUCTIONS - ATTENTION

STEP 17

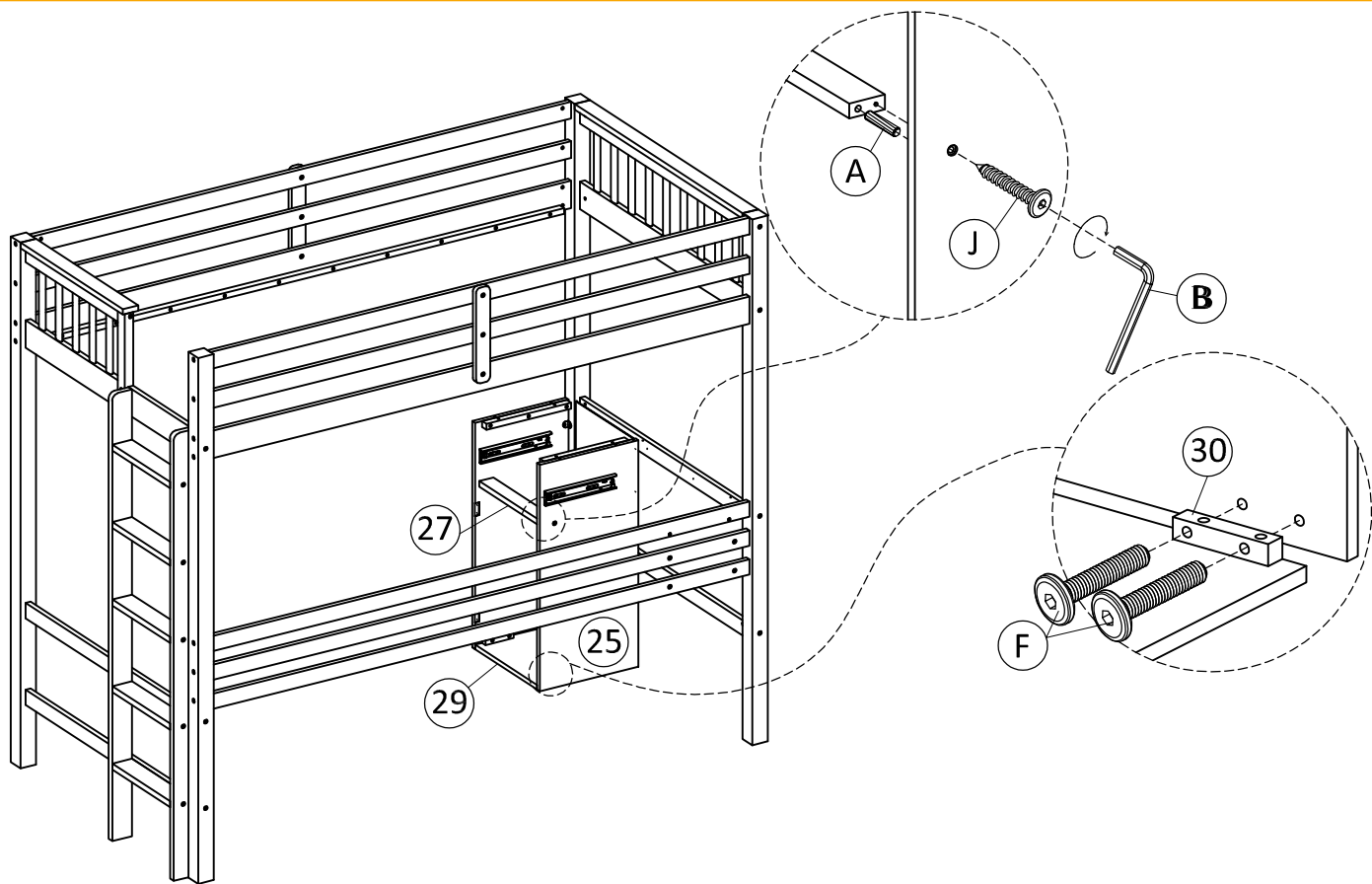


STEP 18

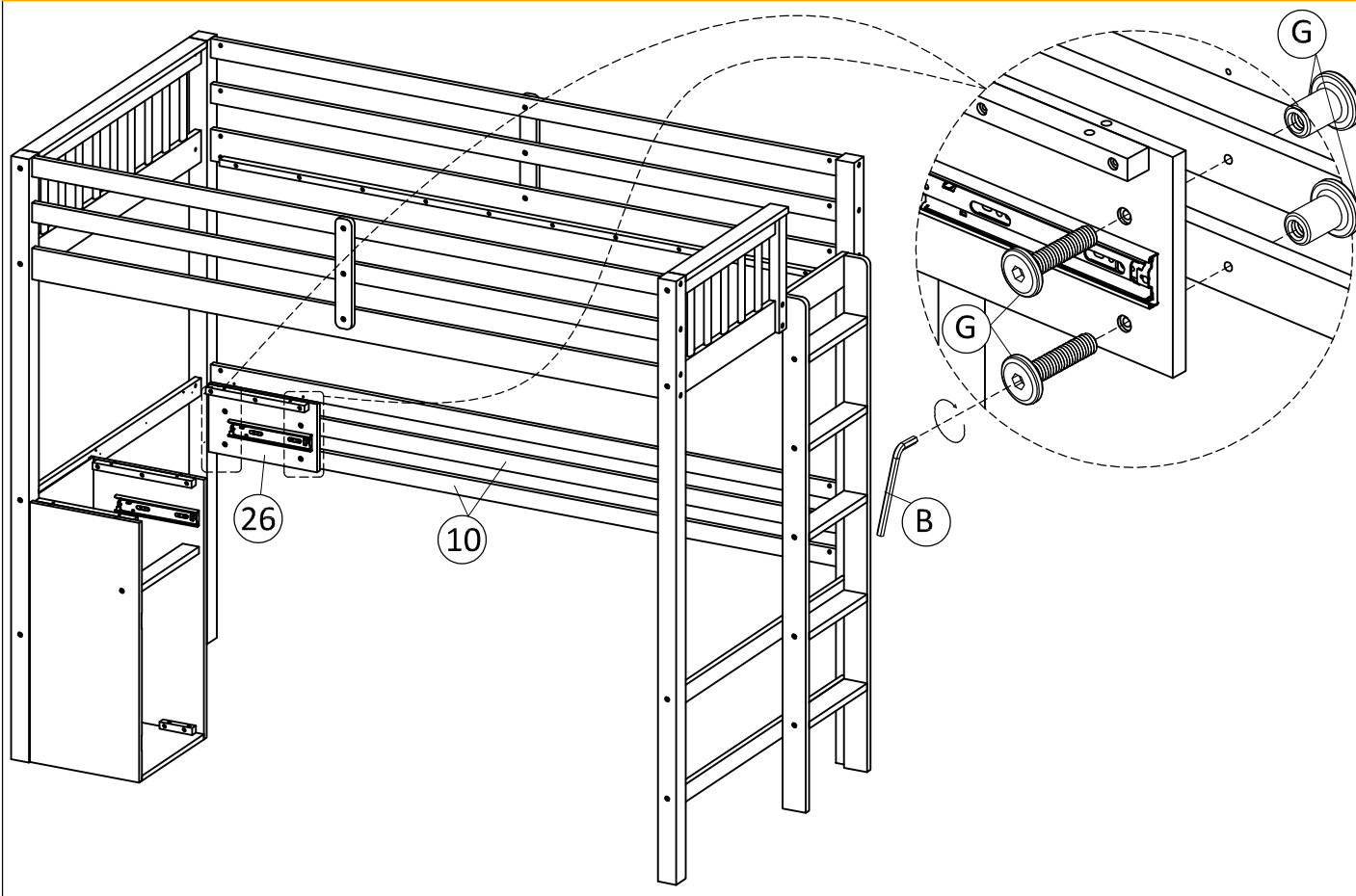


ASSEMBLY INSTRUCTIONS - ATTENTION

STEP 19

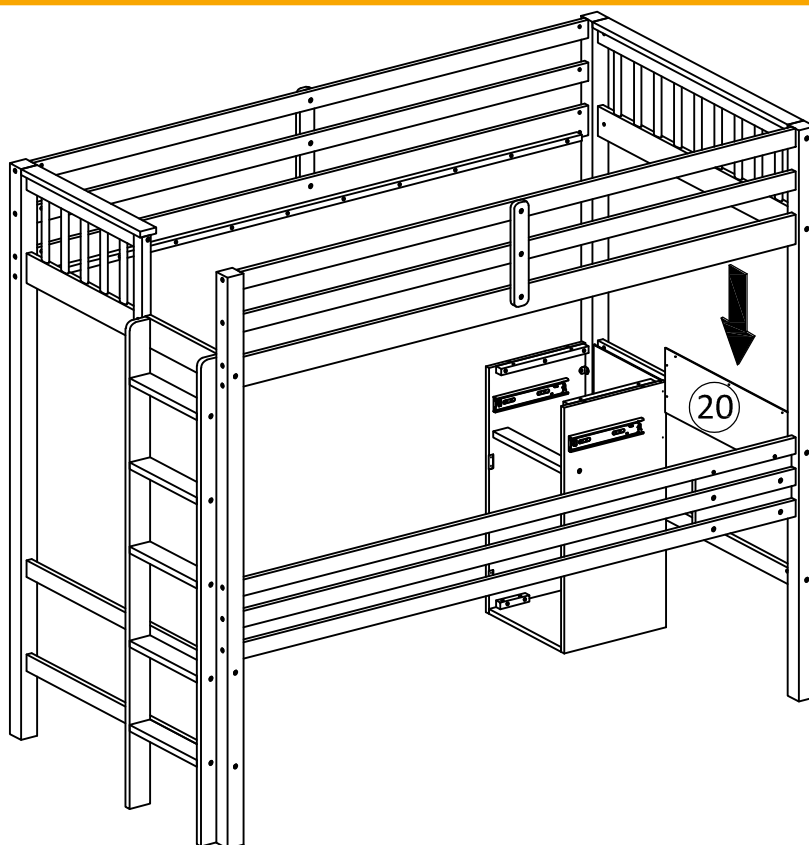


STEP 20

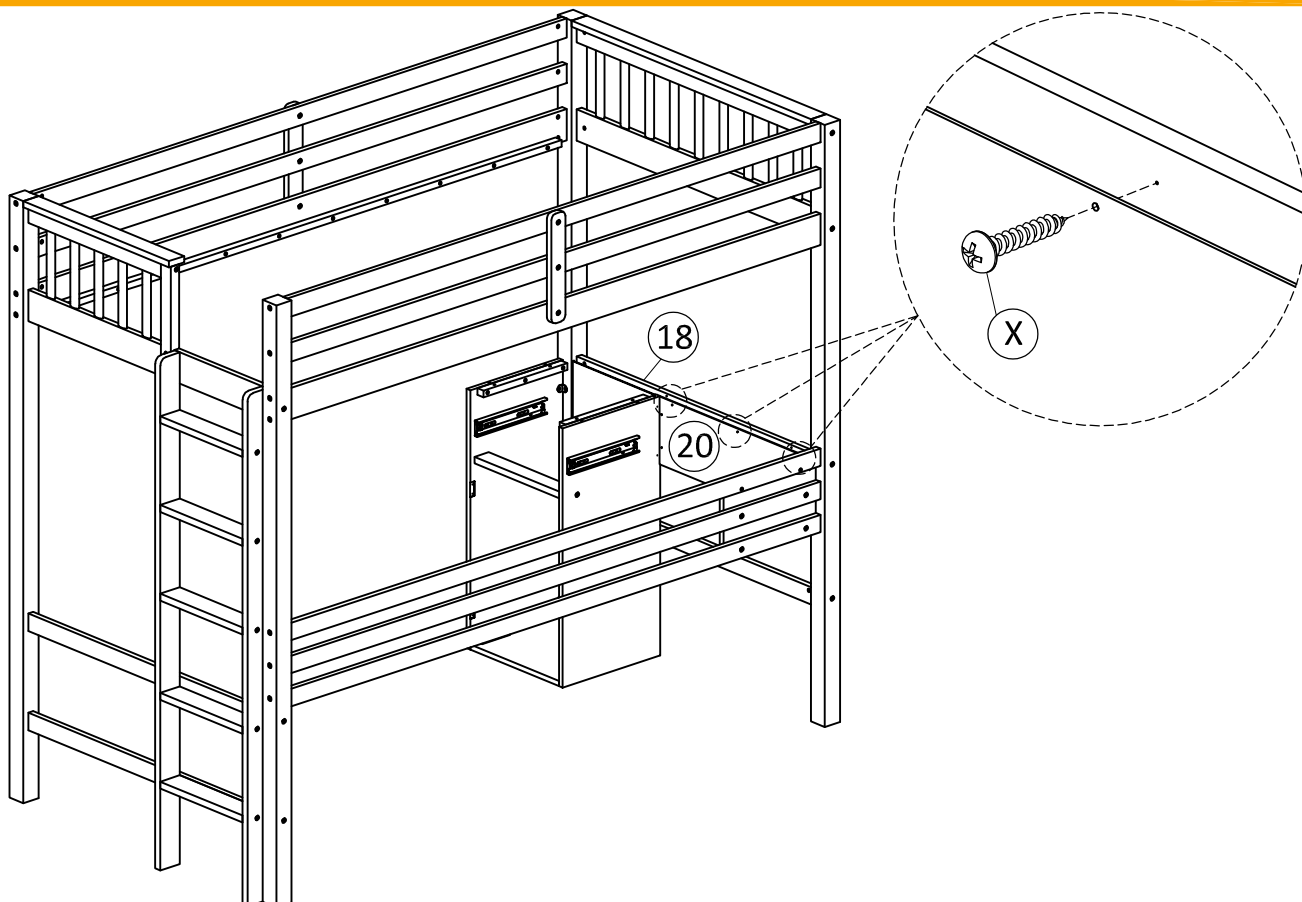


ASSEMBLY INSTRUCTIONS - ATTENTION

STEP 21

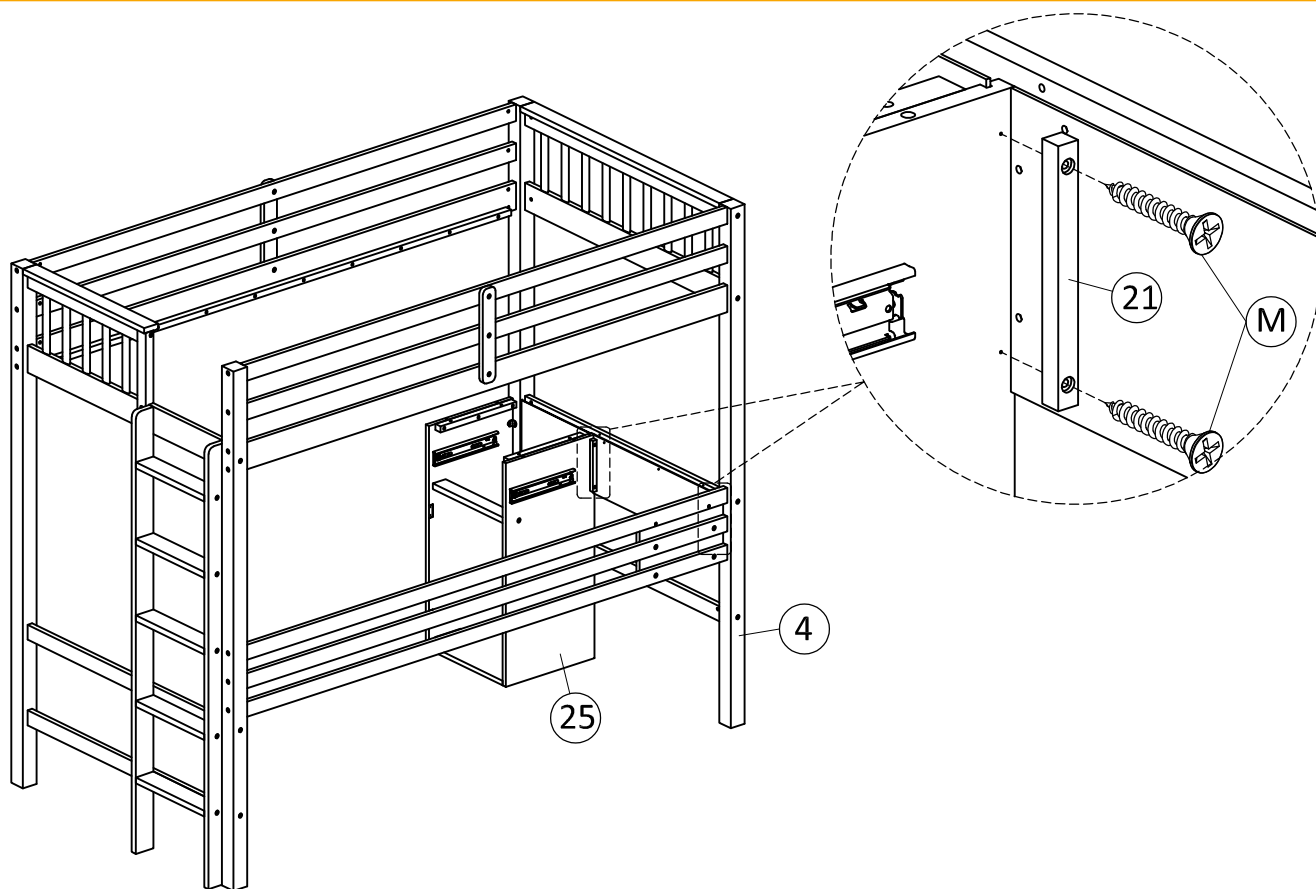


STEP 22

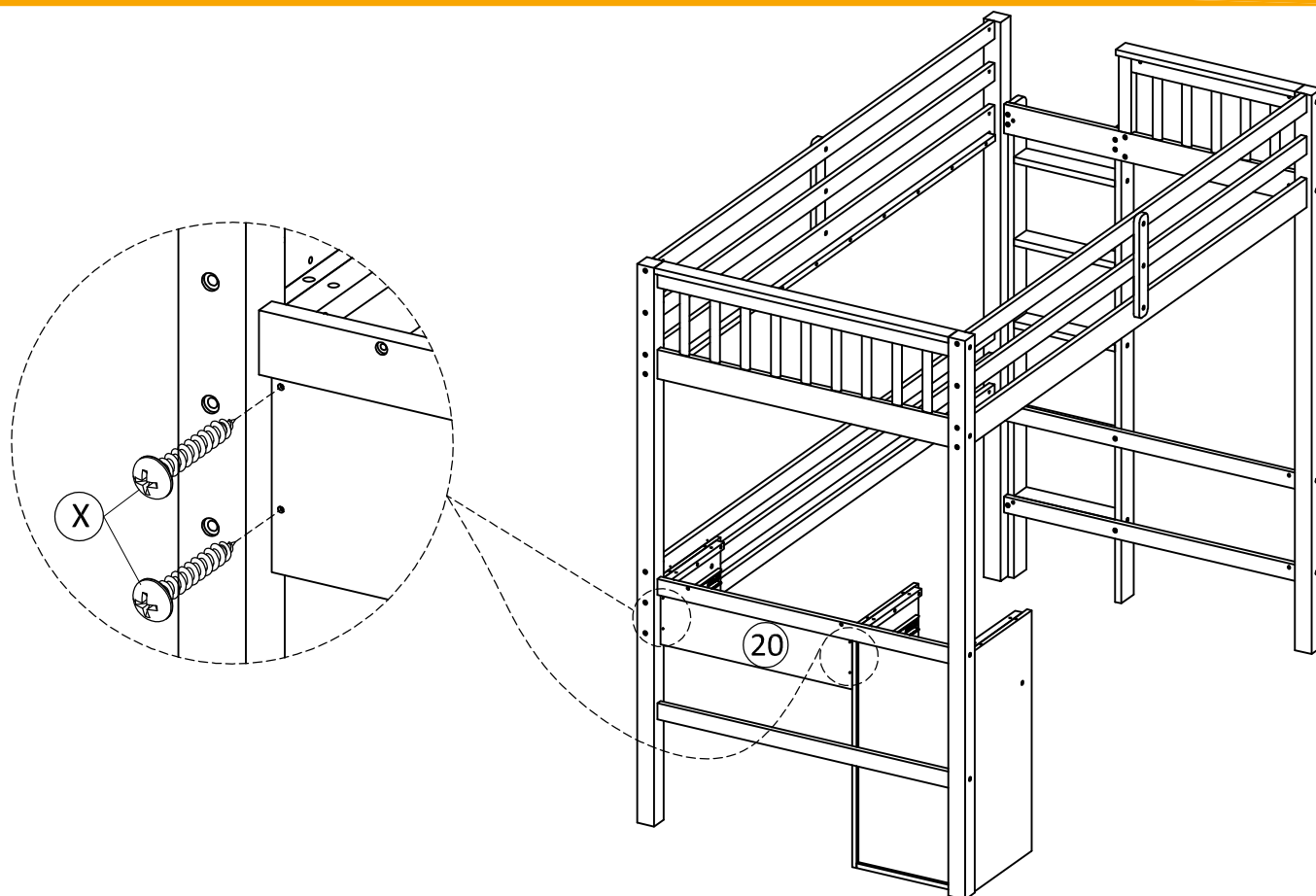


ASSEMBLY INSTRUCTIONS - ATTENTION

STEP 23

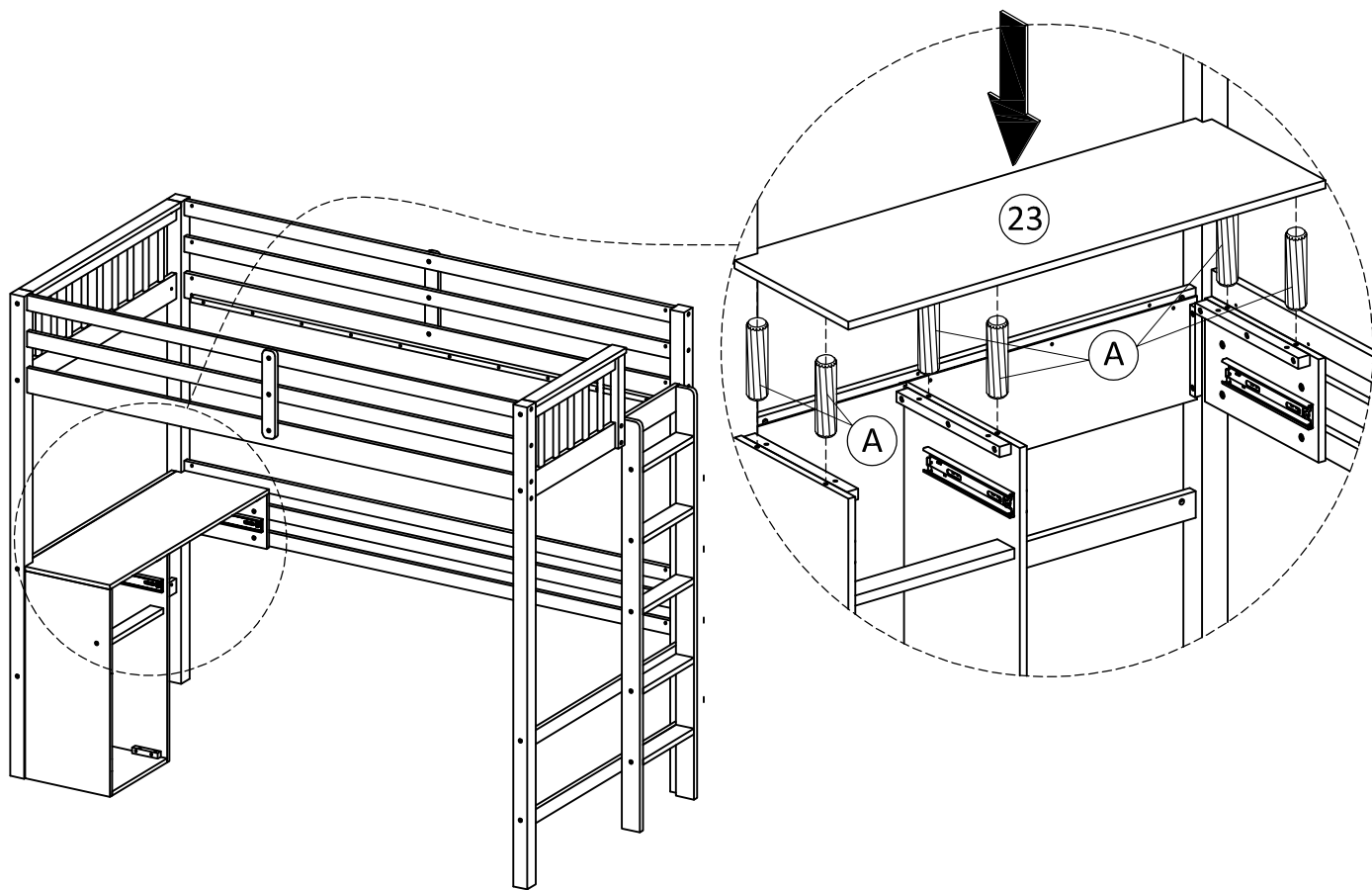


STEP 24

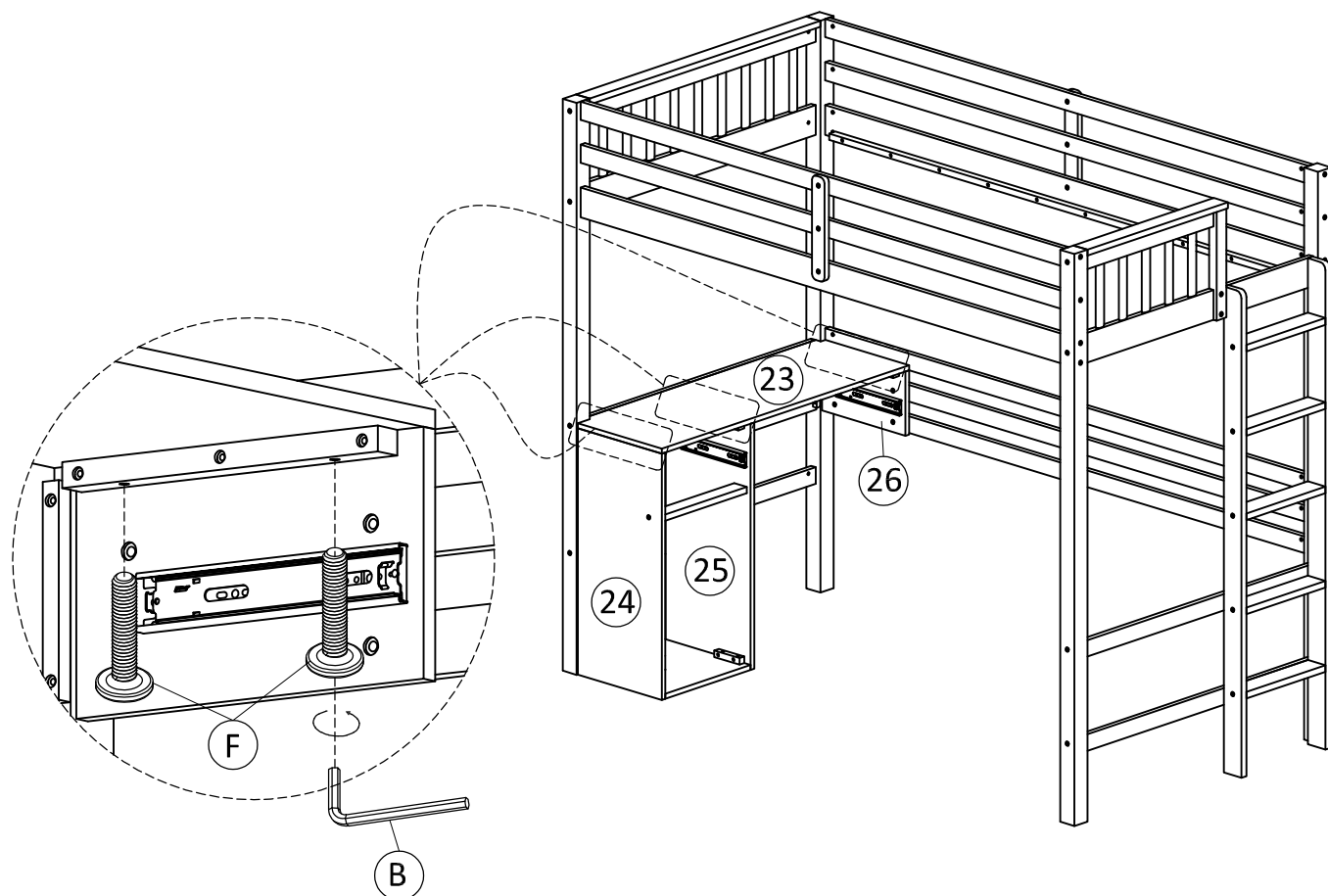


ASSEMBLY INSTRUCTIONS - ATTENTION

STEP 25

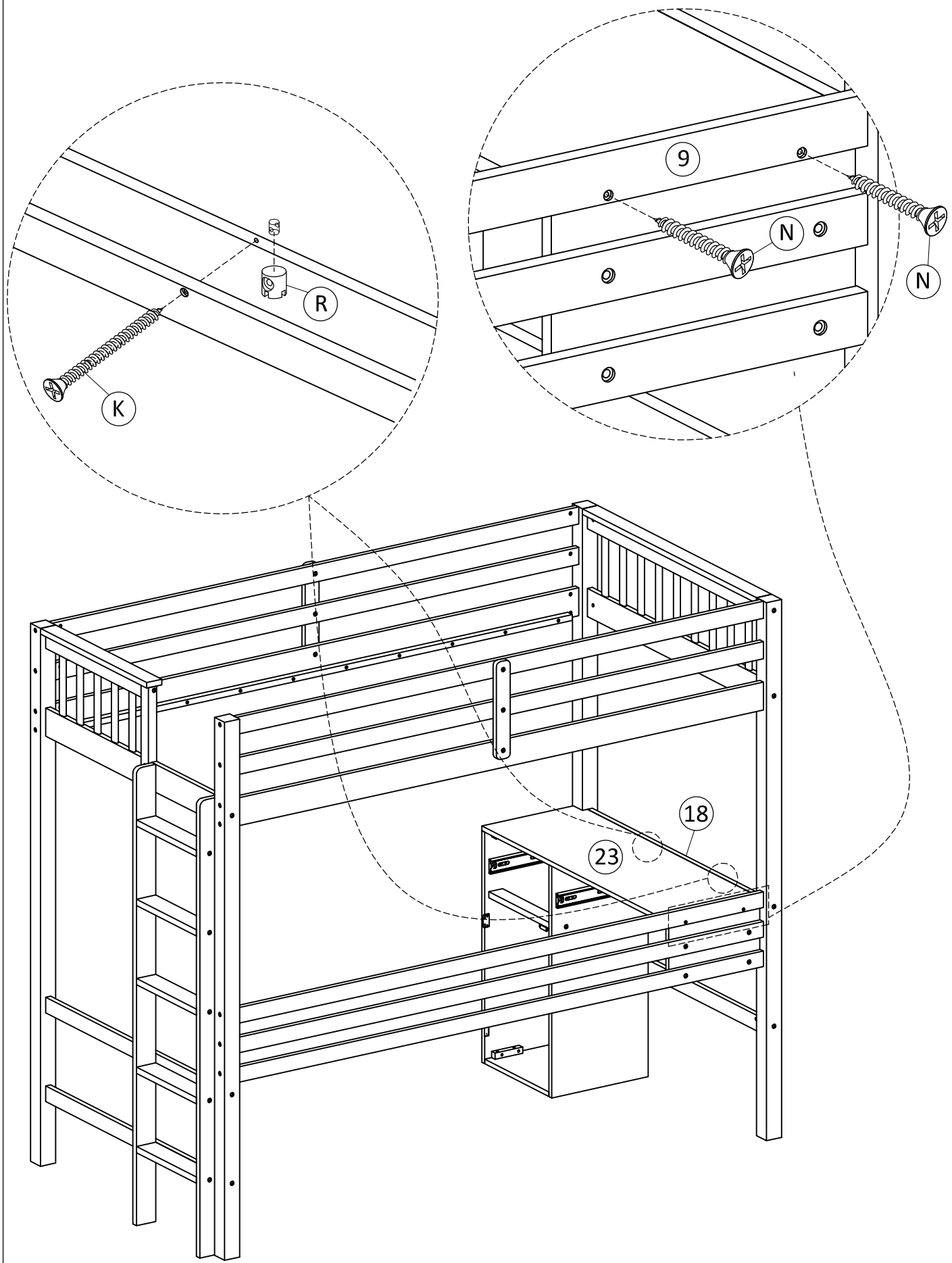


STEP 26



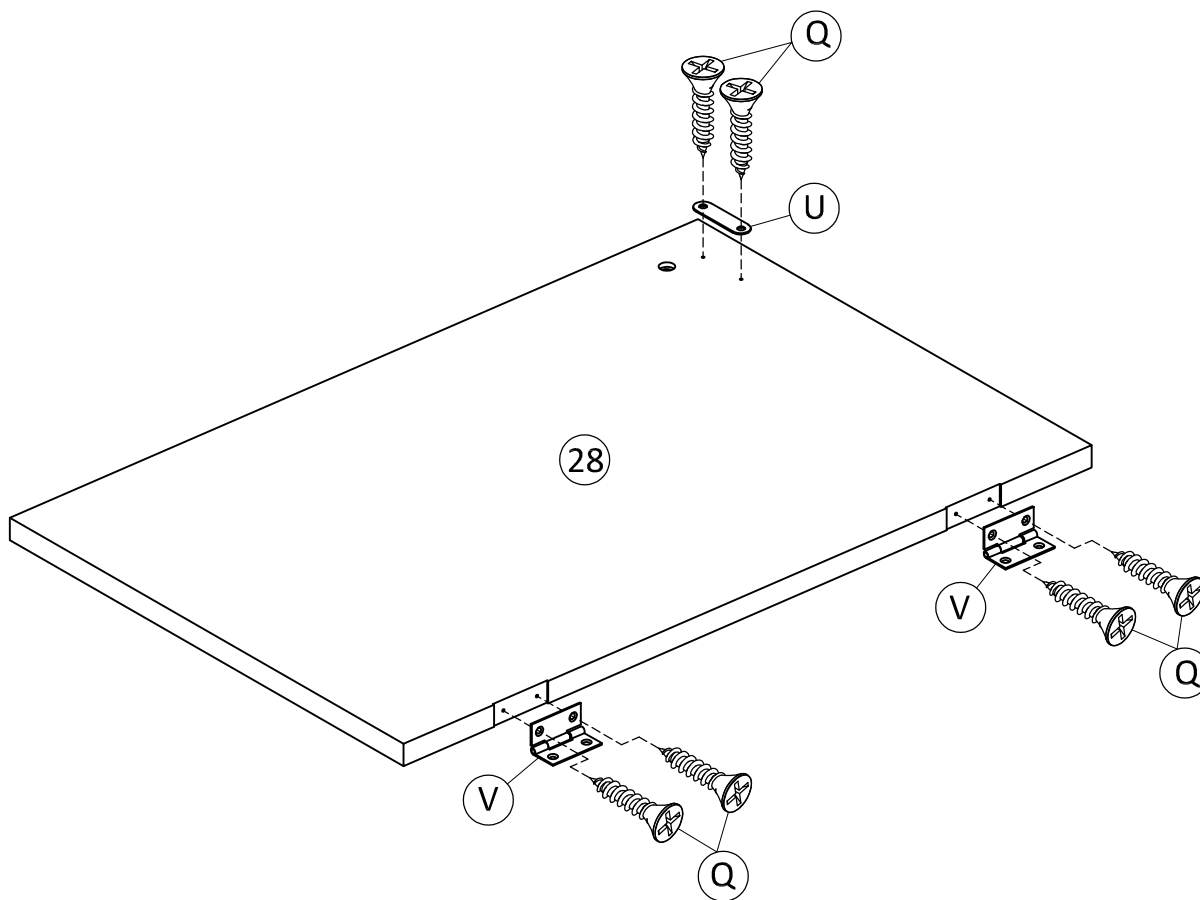
ASSEMBLY INSTRUCTIONS - ATTENTION

STEP 27

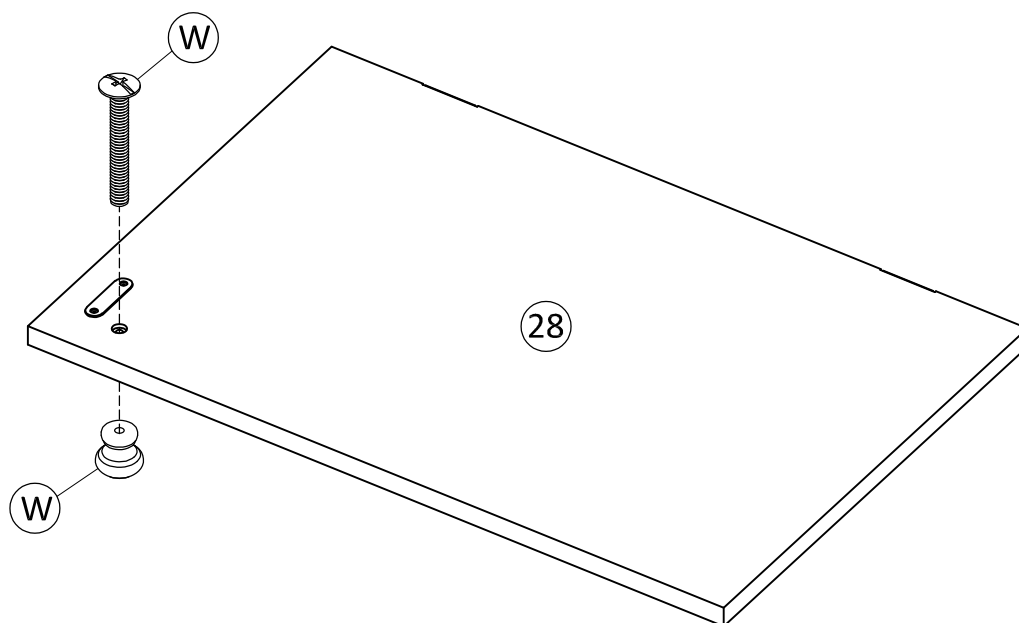


ASSEMBLY INSTRUCTIONS - ATTENTION

STEP 28

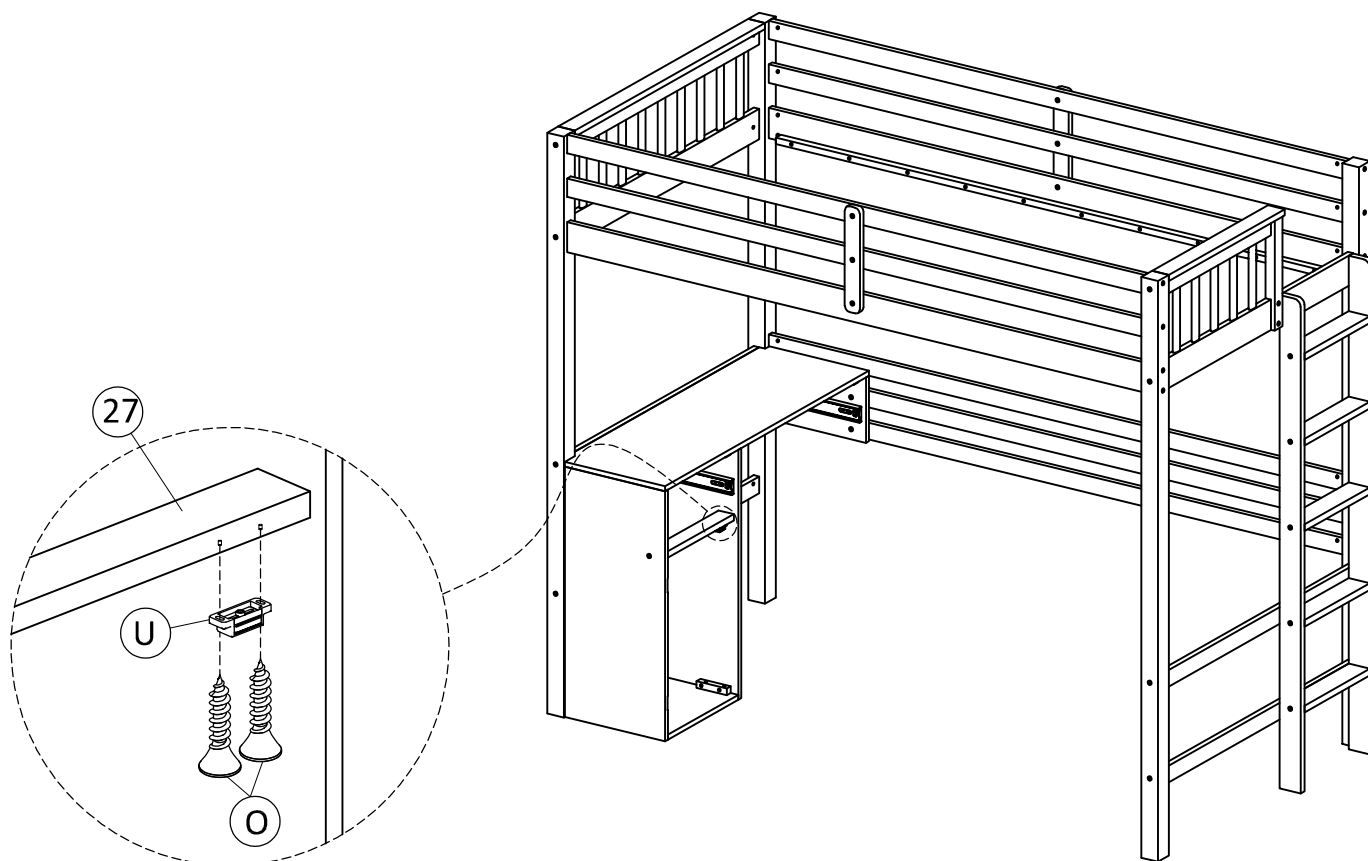


STEP 29

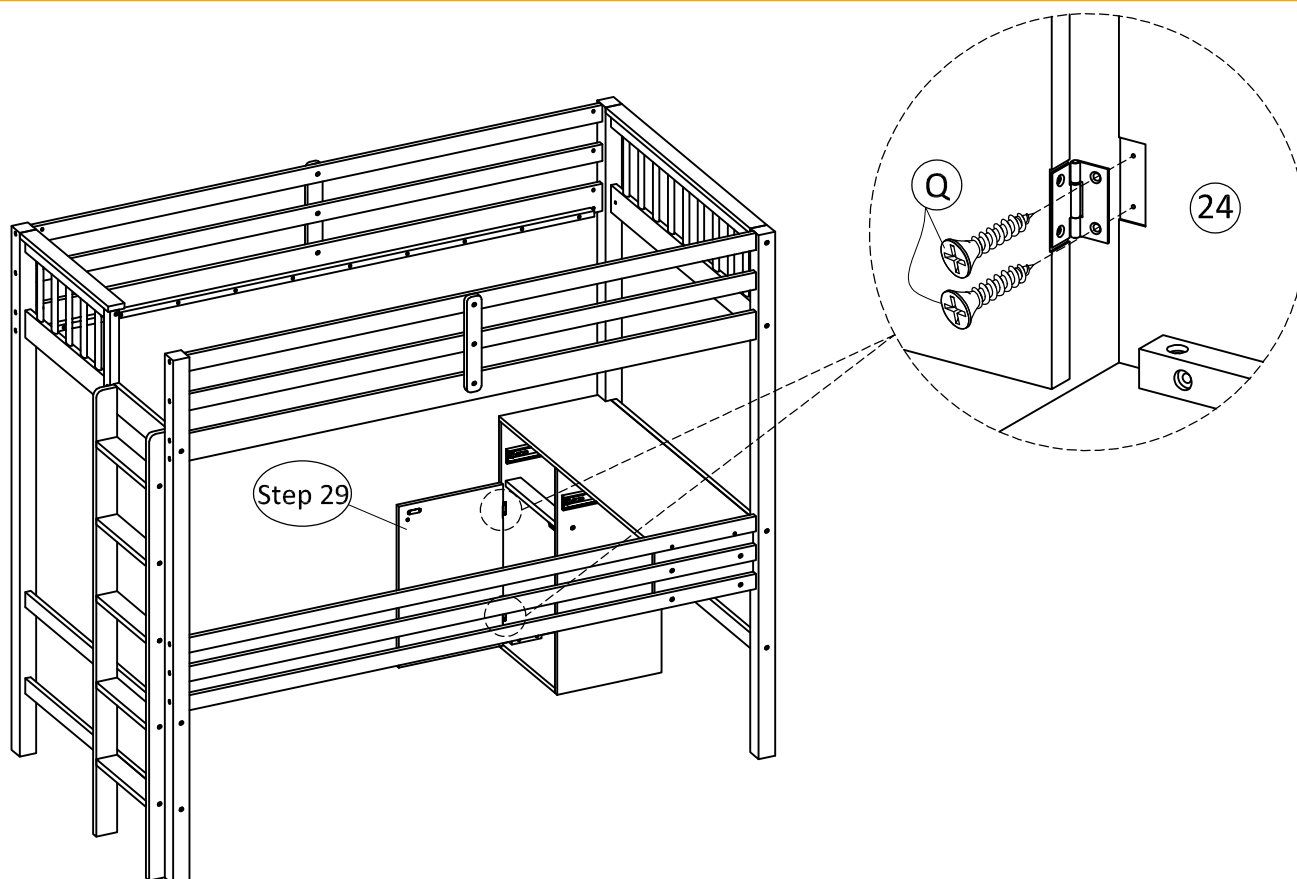


ASSEMBLY INSTRUCTIONS - ATTENTION

STEP 30

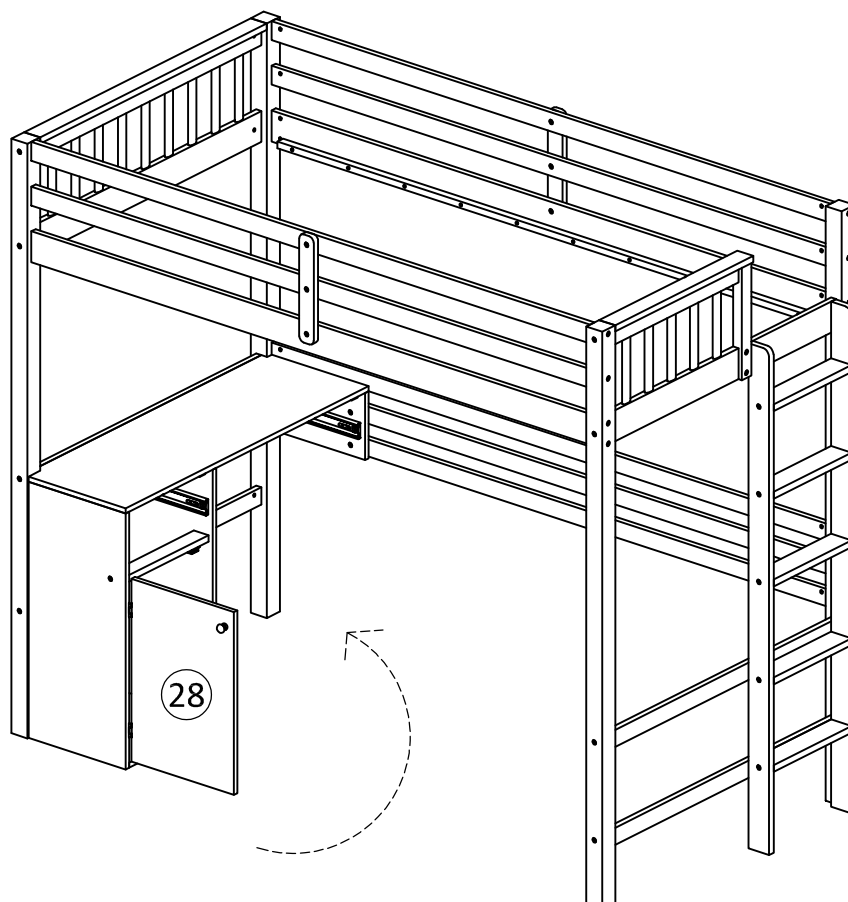


STEP 31

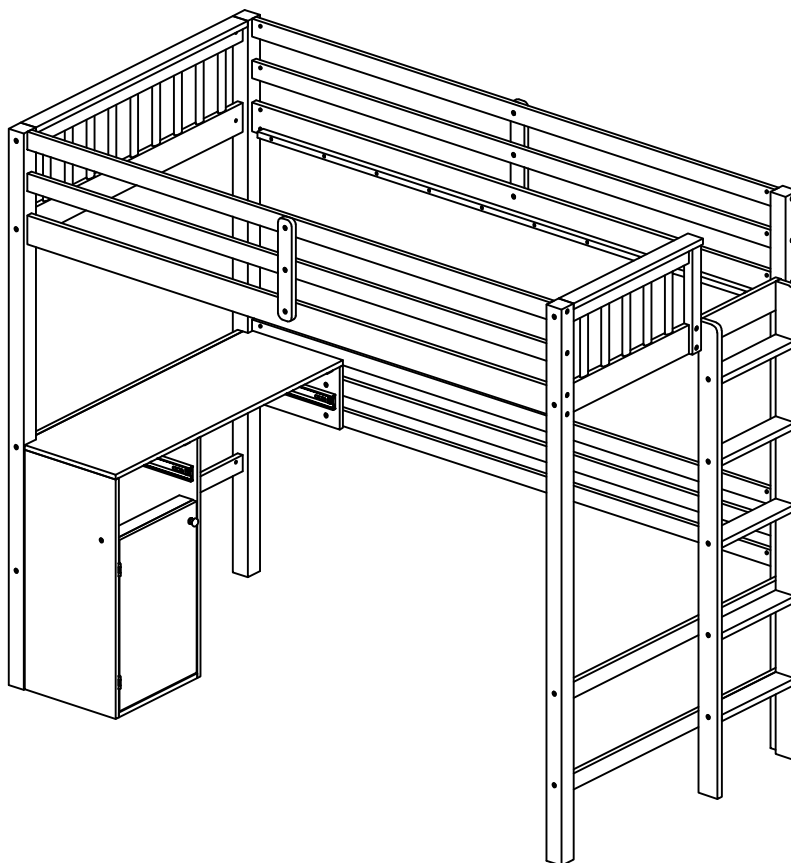


ASSEMBLY INSTRUCTIONS - ATTENTION

STEP 32

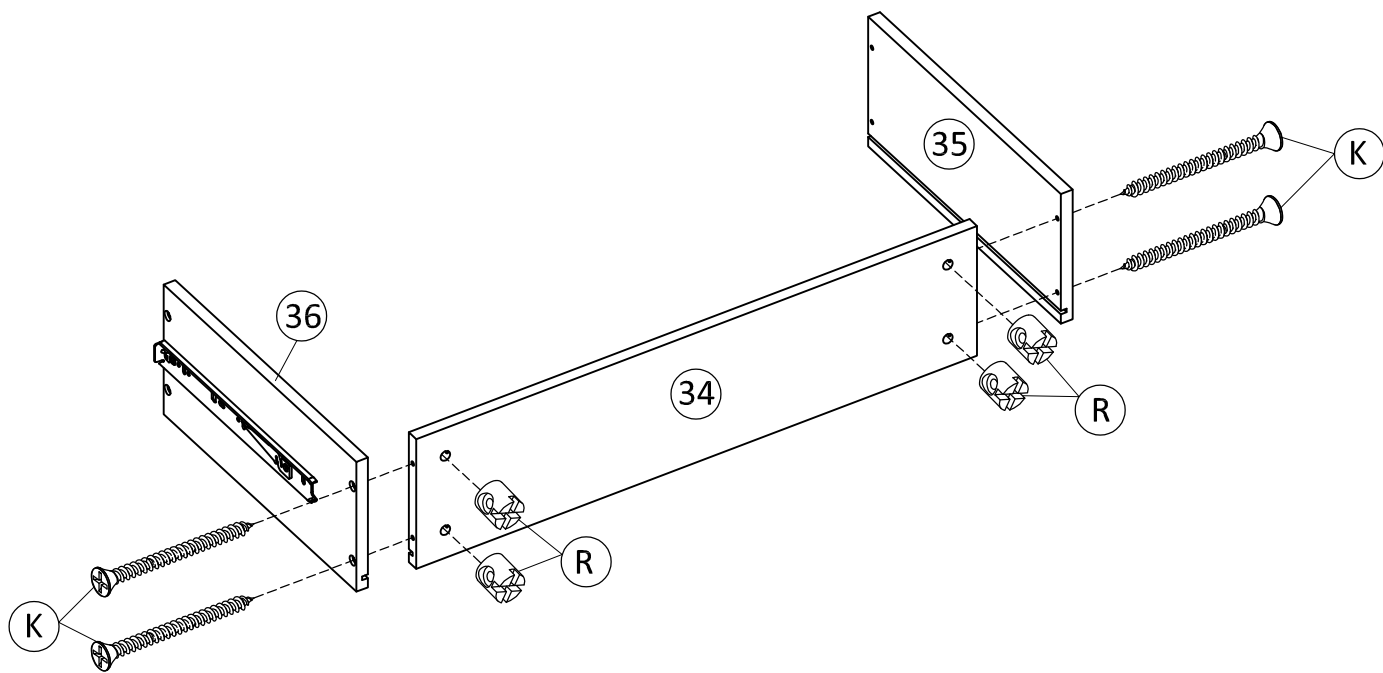


STEP 33

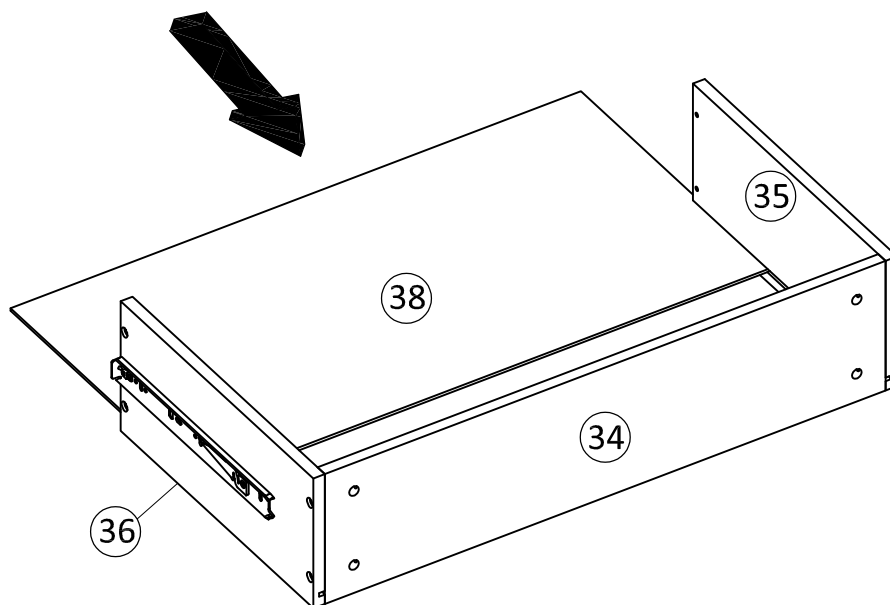


ASSEMBLY INSTRUCTIONS - ATTENTION

STEP 34

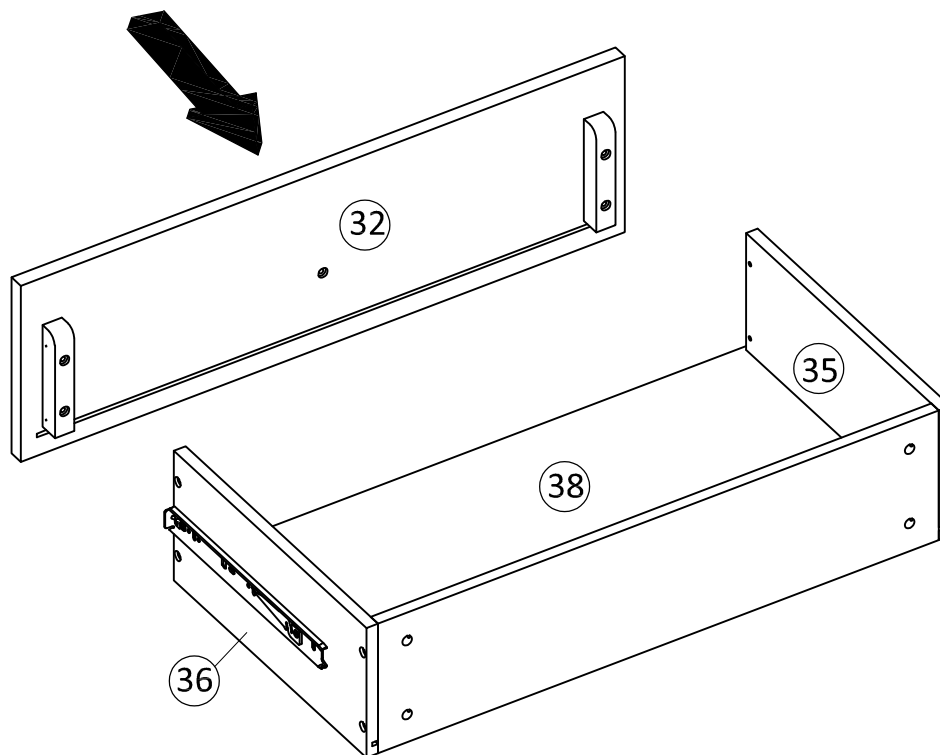


STEP 35

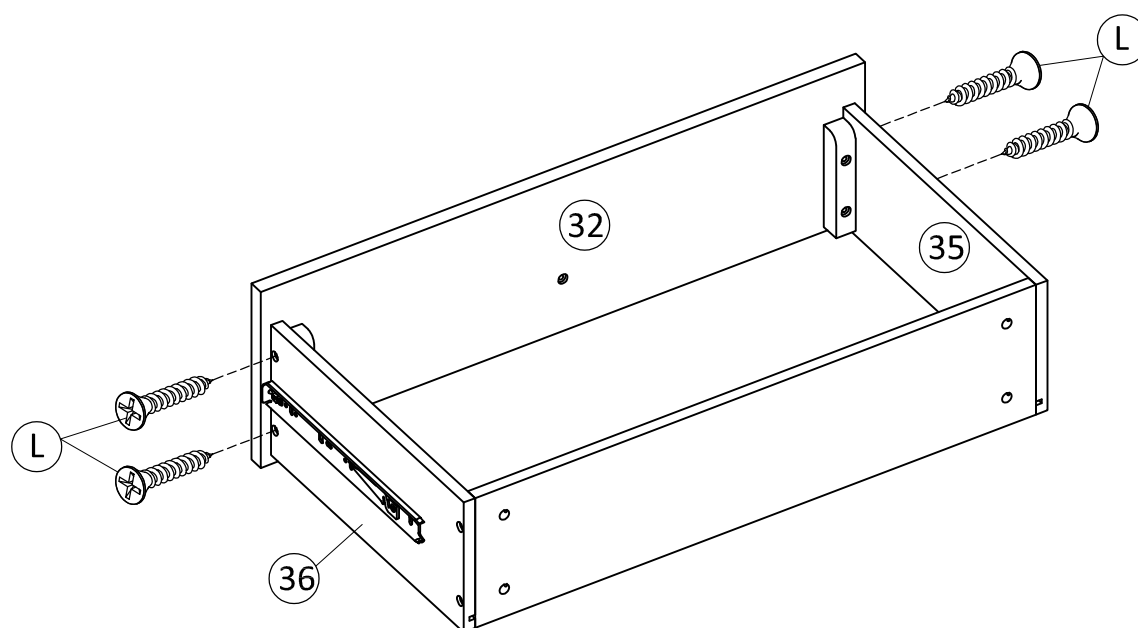


ASSEMBLY INSTRUCTIONS - ATTENTION

STEP 36

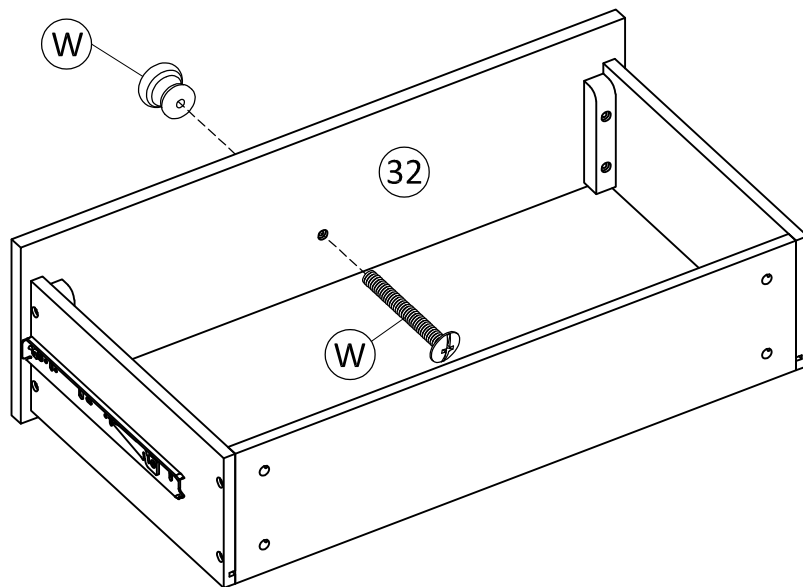


STEP 37

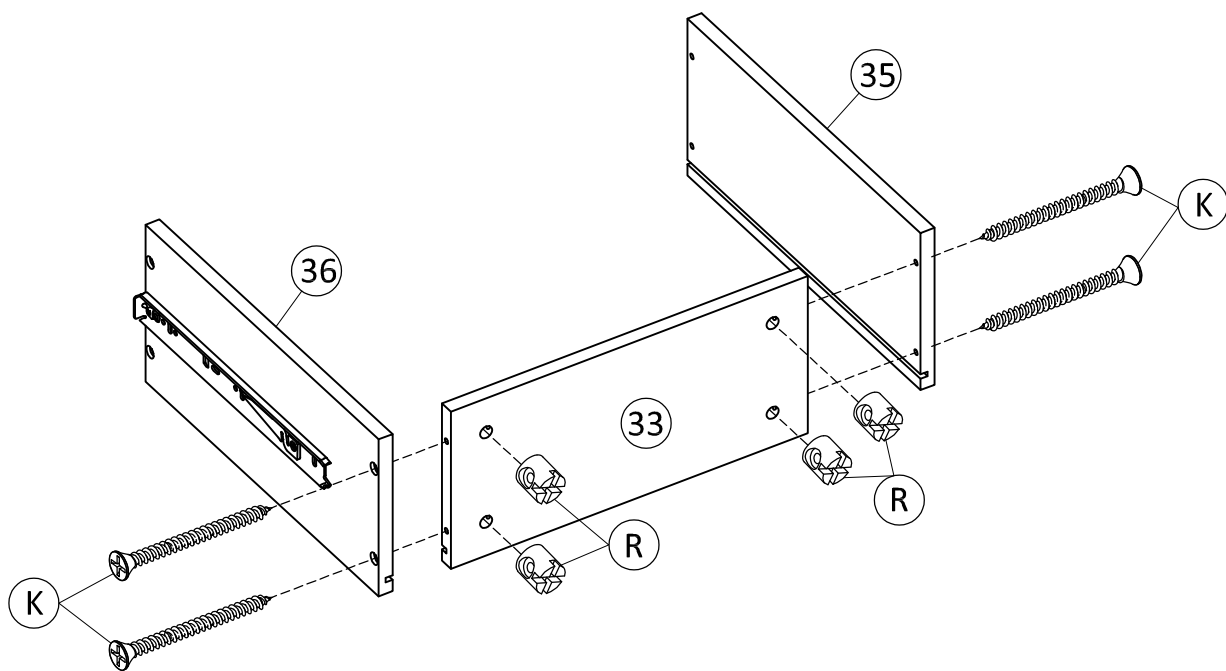


ASSEMBLY INSTRUCTIONS - ATTENTION

STEP 38

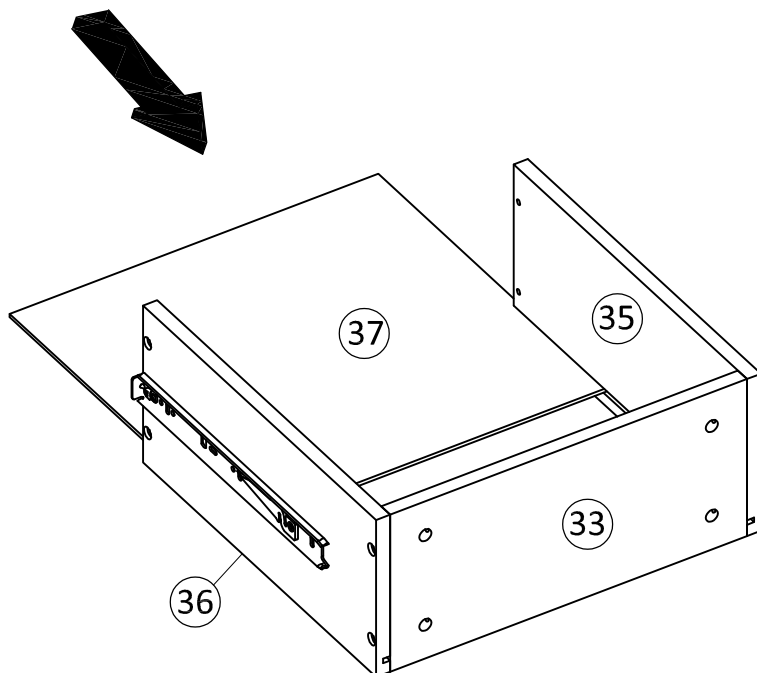


STEP 39

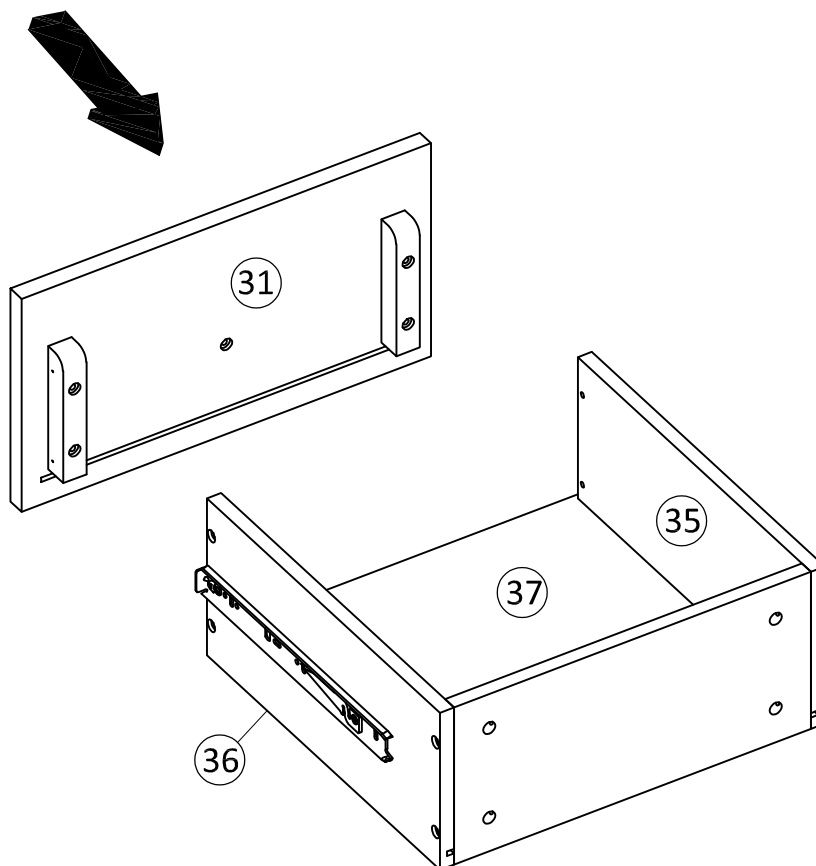


ASSEMBLY INSTRUCTIONS - ATTENTION

STEP 40

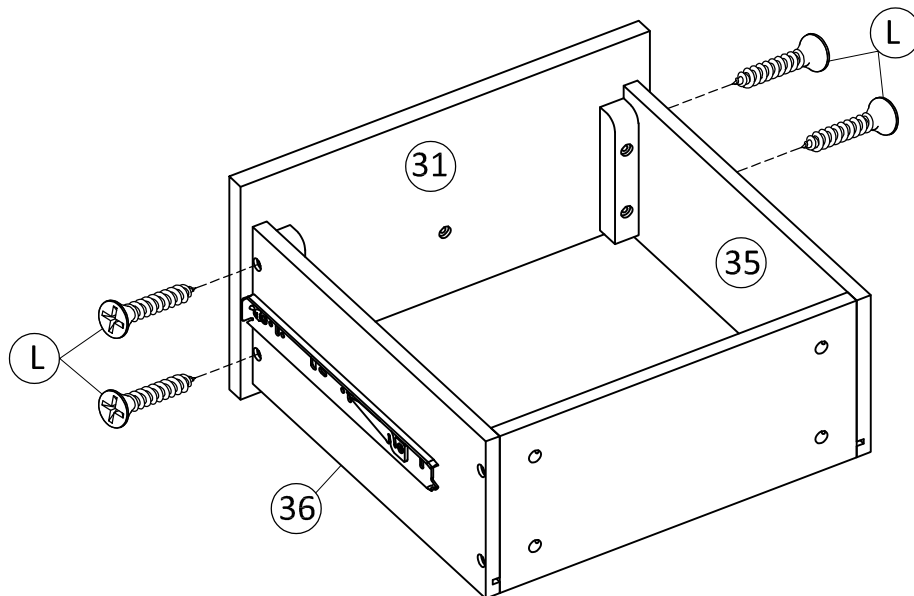


STEP 41

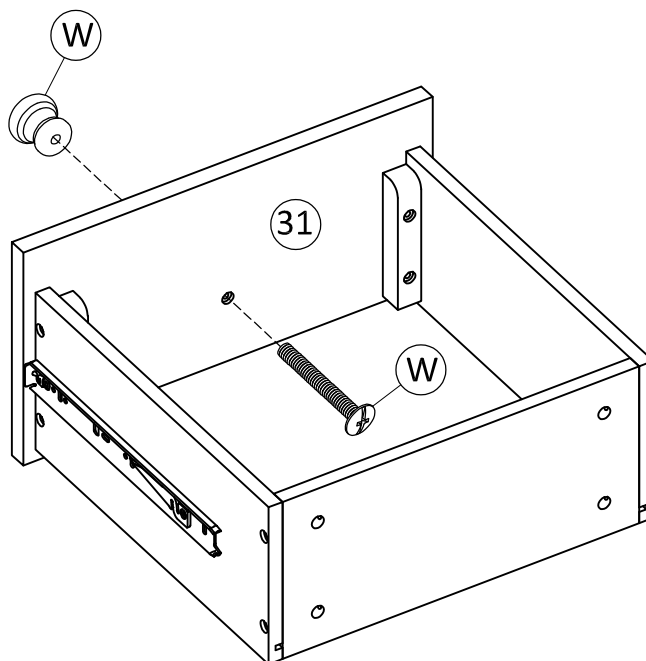


ASSEMBLY INSTRUCTIONS - ATTENTION

STEP 42

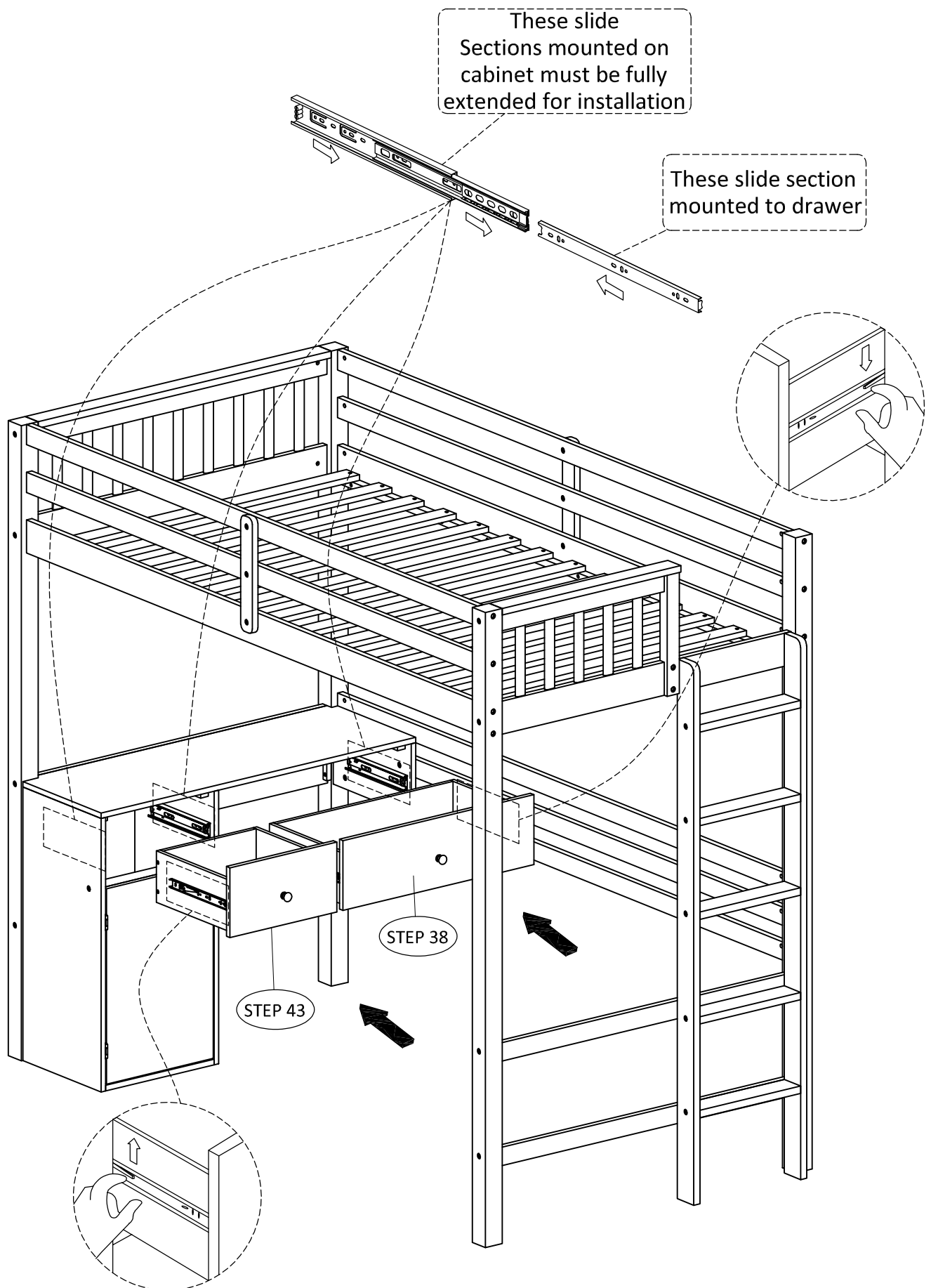


STEP 43



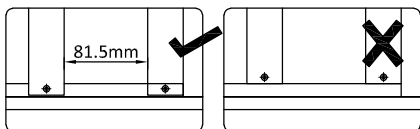
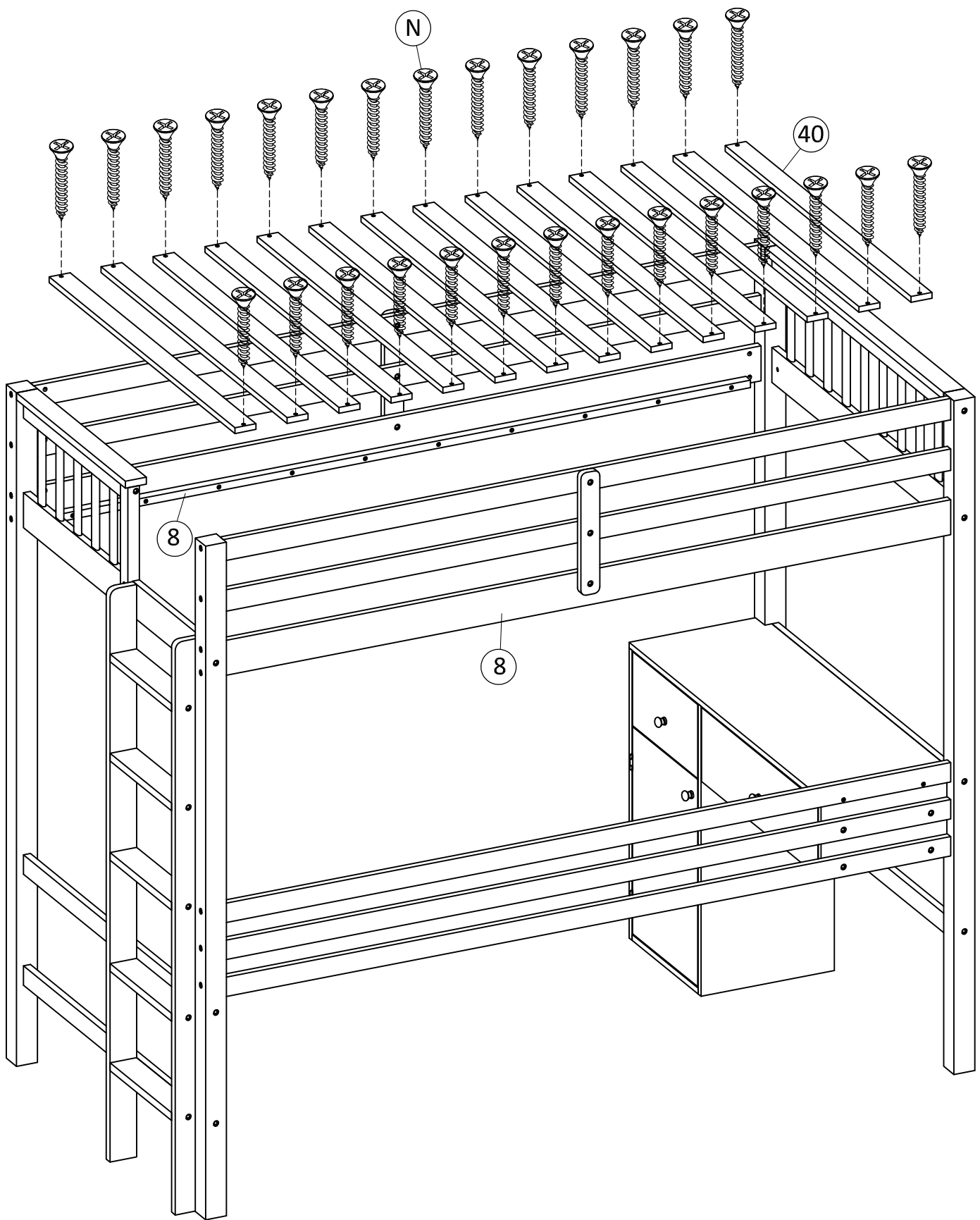
ASSEMBLY INSTRUCTIONS - ATTENTION

STEP 44



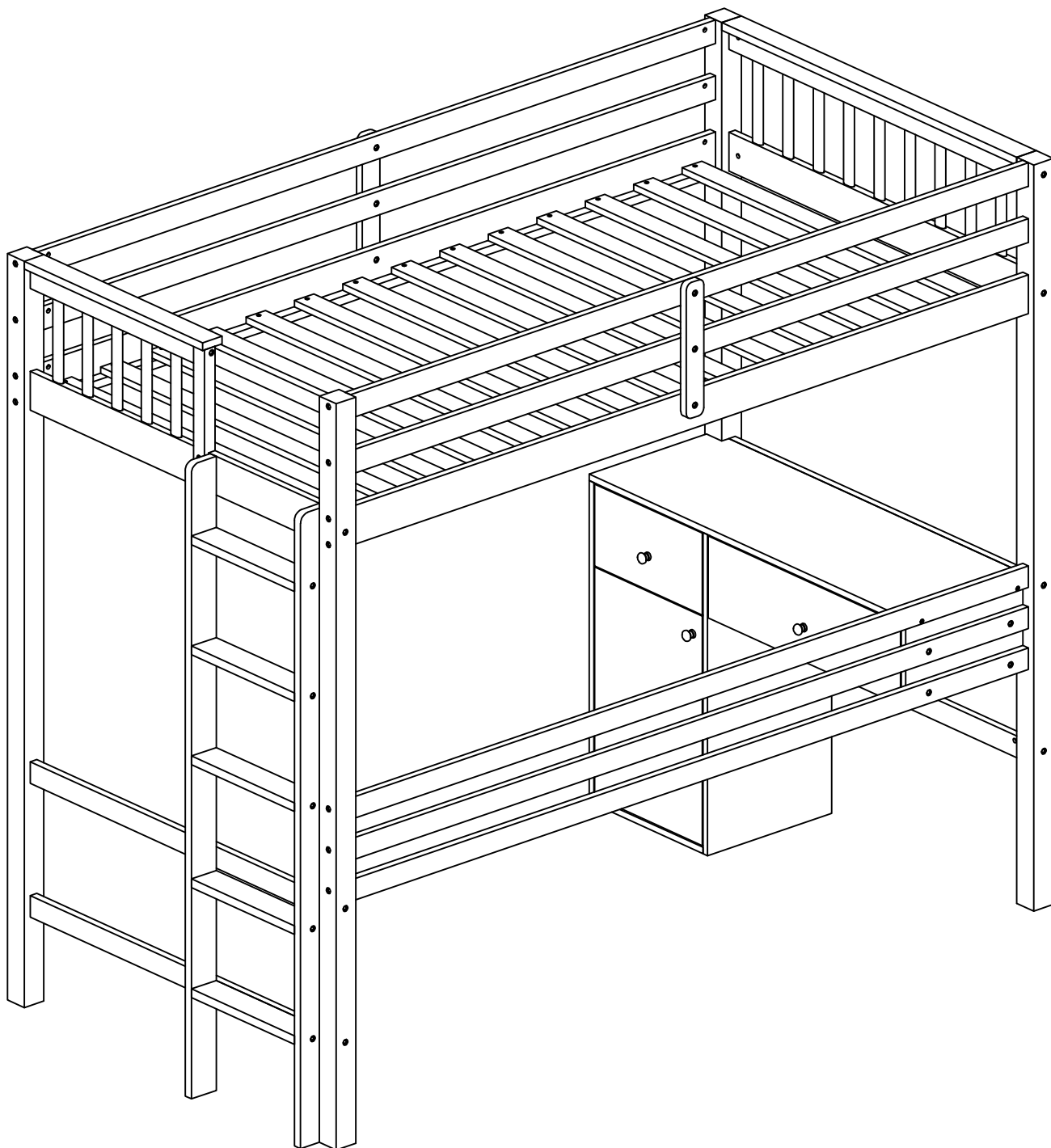
ASSEMBLY INSTRUCTIONS - ATTENTION

STEP 45



ASSEMBLY INSTRUCTIONS - ATTENTION

COMPLETED.





WARNING



Read the instructions carefully.



Please follow the assembly steps

Safety maximum Weight: 350 LBS

To ensure proper assembly, follow all steps and use all parts, do not use power tools. Failure to follow this warning can result in serious injury to yourself or others.

Please inspect all items before assembly, if for any reason you need to return this item, please kindly return in its original packaging.

To avoid misalignments, leave the screws loose and do not tighten them until all are in their respective places.

Do not tighten all bolts and screws completely until the entire unit has been assembled and set up.

Do not over tighten or force the screws as they could break, strip, or damage the threads of the holes.

Using the wrong size of screws on a part could result in damage to the screw or the part.

Lubricate all moving parts and tighten all bolts/screws every 6 month or whenever needed.

Do not use if this product become damaged, and/or components are broken or missing.