



11.5" LED Light Kit



Instruction Manual

**"CAUTION-RISK OF FIRE"
CONSULT A QUALIFIED ELECTRICIAN TO
ENSURE CORRECT BRANCH CIRCUIT
CONDUCTOR.**

Special Notice: This appliance is equipped with a "Wattage Limiting Device" required by the United States Department of Energy. The device has been installed at the factory and can not be removed.

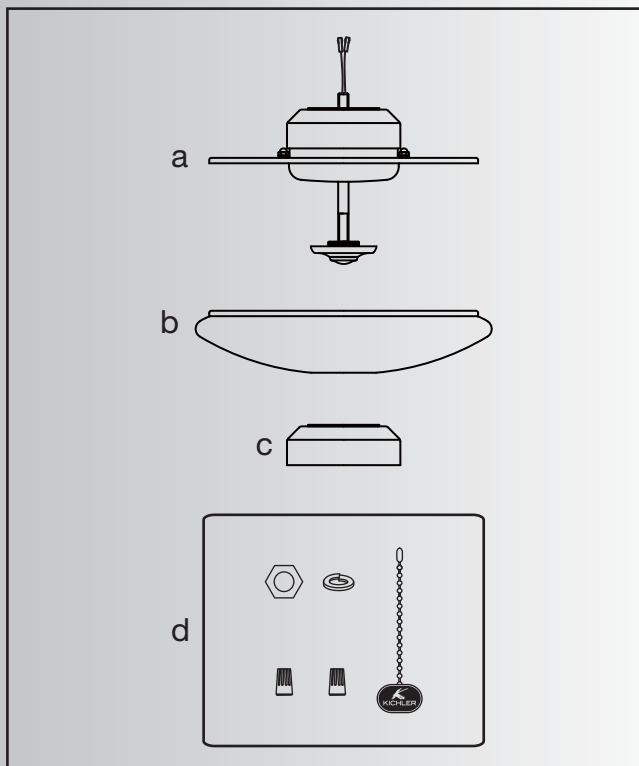
Installing Lamps in excess of 190 total watts will disable the units light fixture. If this should happen, you will need to reset the lighting fixture by turning the power off to the ceiling fan and/or light fixture, reinstalling lamps totaling less that 190 watts and then turning the power back on.

1. SAFETY RULES

WARNING! RISK OF ELECTRIC SHOCK

All electrical connections must be made in accordance with local codes, ordinances, or national codes. If you are unfamiliar with installing electrical wiring, secure the services of a qualified electrician. Before starting this installation, disconnect the power by turning off the circuit breaker at your main panel or removing the fuse at the fuse block. Turning the power off using the ceiling fan switch (speed control on/off) is not sufficient to prevent electrical shock.

NOTE: The important safeguards and instructions appearing in this manual are not meant to cover all possible conditions and situations that may occur. It must be understood that common sense, caution and care are factors which cannot be built into any product. These factors must be supplied by the person (s) caring for and operating the unit.



2. PACKAGE CONTENTS

Unpack your fan and check the contents. You should have the following items:

- a. LED Light fixture
- b. Glass shade
- c. MUL finish cover
- d. Part bag contents:
 - Nut
 - Spring washer
 - wire nuts (2)
 - Pull chain and fob (3)

3. INSTALLING THE LIGHT KIT

Select the finial and upper housing cap that best coordinates to the finish of the ceiling fan. Install the upper housing cap onto the upper housing prior to attaching the light kit to the fan's switch housing.

1. Remove and discard the center plug from the switch housing. Attach the light kit to the switch housing by feeding the light kit wires (black and white) through the hole in the center of the switch housing, then screw the light kit onto the switch housing.

Attach the nut & lock washer on the inside of the switch housing making sure the light kit is secure to prevent movement after installation. (Fig. 1)

2. Locate the white and blue wires inside the switch housing labeled FOR LIGHT.

3. Attach the wires from the LED light kit to the wires inside the switch housing by pushing the polarized connections together.

- White wire to White wire
- Black wire to Black (Blue) wire

4. Raise and hold the LED light kit assembly close to the mounting plate of the ceiling fan. Push the square wire connectors together. (Fig. 2)

NOTE: The square connectors are color coded. Match the color coded sides of each plug and push. They will attach **ONLY** when matched correctly.

5. Carefully push all wires back into the switch housing, then install the LED light kit assembly onto the mounting plate with 3 screws provided. Be sure to tighten all screws. (Fig. 2)

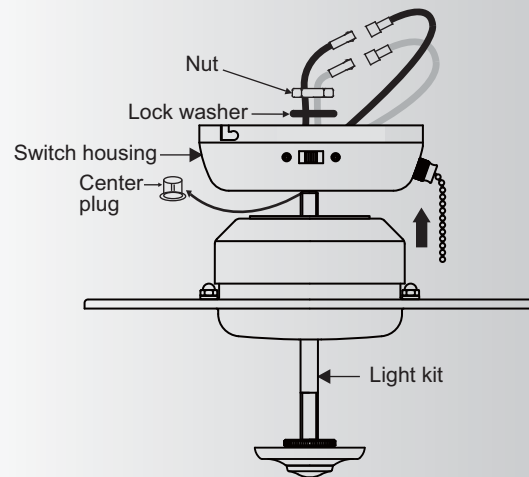


Fig. 1

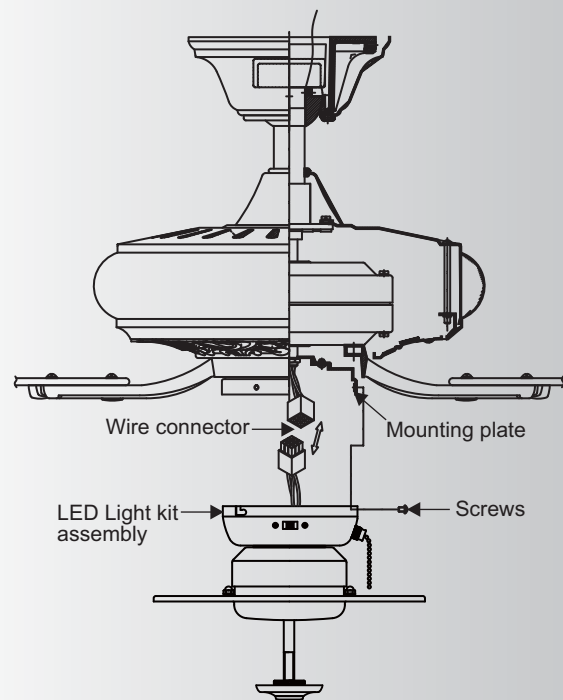


Fig. 2

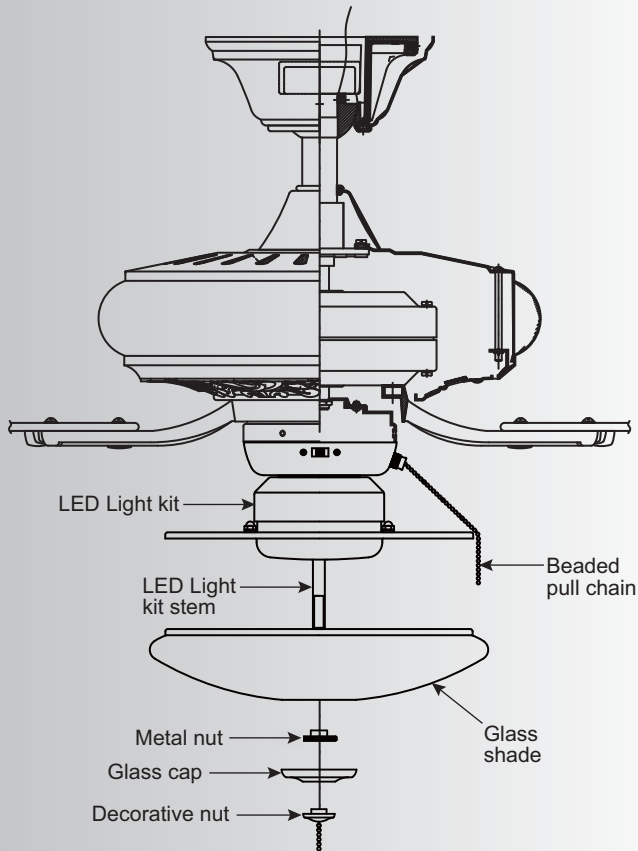


Fig. 3

4. INSTALLING THE LED LIGHT KIT & GLASS SHADE

1. Remove the decorative nut, glass cap and metal nut from the LED light kit. Place glass shade over the LED light kit stem, secure with the metal nut (rubber side on the top), add the glass cap and decorative nut. Do not overtighten. (Fig. 3)
2. Restore power and your light kit is ready for operation.