

SKYFAN & TURBO HEATER™

24" SkyPlug Fandelier with Heater

USER MANUAL

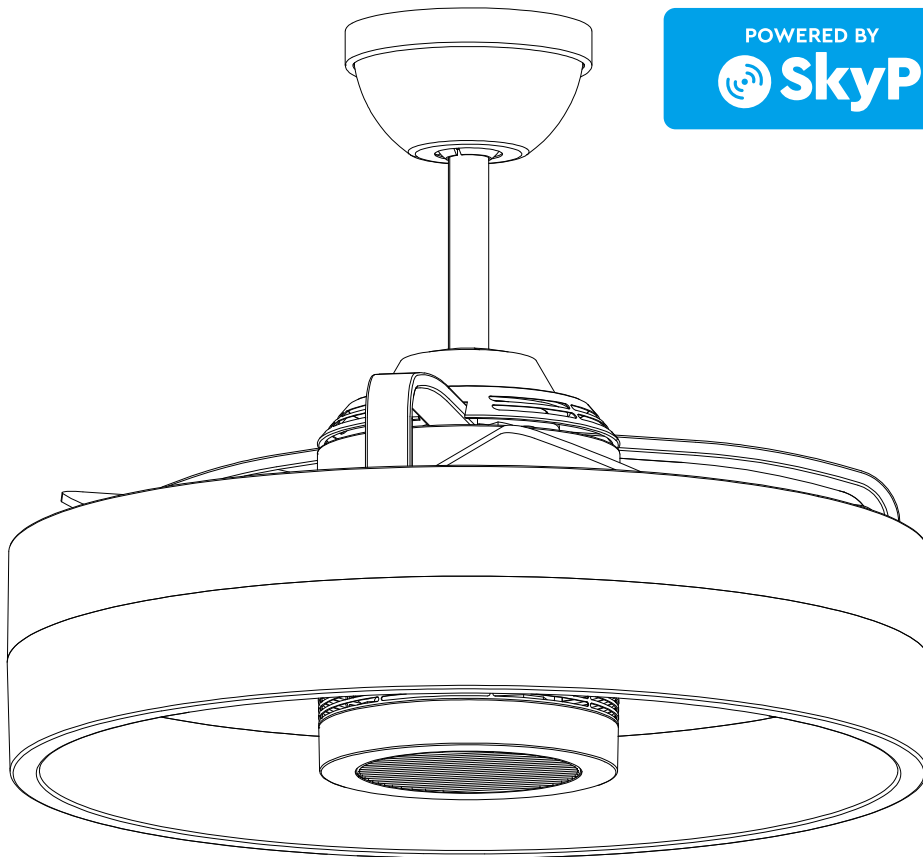
For Models:

#2250-xx

120V~ 60Hz, 1300W

Suitable for damp locations

MADE IN CHINA



Scan to review
installation
video.



CUSTOMER SERVICE

1-855-759-7584 | 9am-5pm EST Mon-Fri
www.SKYPLUG.com | support@skyplug.com

IMPORTANT SAFETY INSTRUCTION

READ AND SAVE THESE INSTRUCTIONS

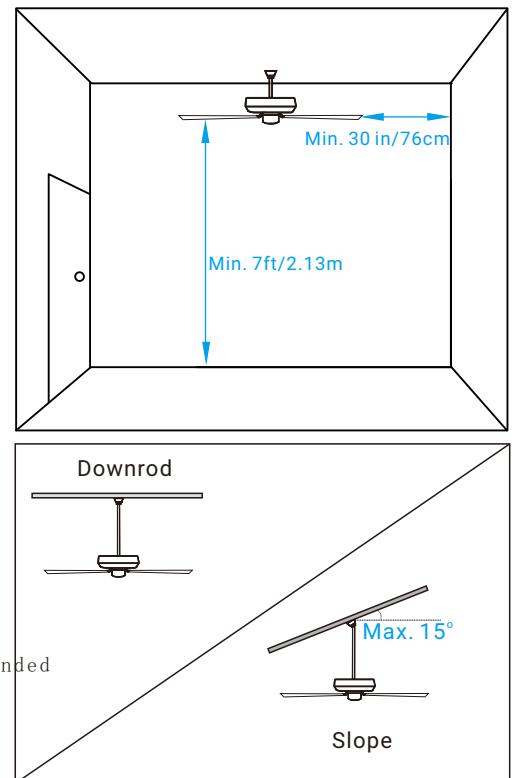
1. To reduce the risk of electric shock, ensure electricity has been turned off at the circuit breaker or fuse box before beginning.
2. All electrical connections must be made in accordance with local codes, ordinances and/or the National Electric Code. Electrical installation should be performed by a qualified licensed electrician.
3. **WARNING/AVERTISSEMENT:** To reduce the risk of electrical shock or fire, do not use this fan with any solid-state fan speed control device. It will permanently damage the electronic circuitry.
4. **CAUTION/ATTENTION:** To reduce the risk of personal injury, use only the screws provided with the outlet box.
5. **WARNING/AVERTISSEMENT:** To reduce the risk of fire, electric shock or injury to persons, do not use replacement parts that have not been recommended by the manufacturer (e.g. Parts made at home using a 3d printer).
6. **WARNING/AVERTISSEMENT:** To reduce the risk of personal injury, do not bend the blade brackets when installing the brackets, balancing the blades, or cleaning the fan. Do not insert foreign objects in between rotating fan blades.
7. The fan must be mounted with a minimum of 7 ft (2.1m) clearance from the trailing edge of the blades to the floor.
8. To avoid personal injury or damage to the fan and other items, be cautious when working around or cleaning the fan.
9. Do not use water or detergents when cleaning the fan or fan blades. A dry dust cloth or lightly dampened cloth will be suitable for cleaning.
10. After making electrical connections, spliced conductors should be turned upward and pushed carefully up into the outlet box. The wires should be spread apart with the grounded conductor and the equipment-grounding conductor on one side of the outlet box and ungrounded conductor on the other side of the outlet box.
11. All screws must be checked and re-tightened where necessary during installation.
12. This fan is suitable for room sizes up to 15ftx15ft (4.5mx4.5m).
13. The heater has hot and arcing or sparking parts inside. Do not use it in areas where gasoline, paint or flammable vapors or liquids are used or stored.
14. This heater is hot when in use. To avoid burns, do not let bare skin touch hot surfaces. Keep combustible materials, such as furniture, pillows, bedding, papers, clothes, etc. and curtains at least 3 ft (0.9 m) from the front of the heater and keep them at least 3 ft (0.9 m) away from the sides and rear.
15. Extreme caution is necessary when any heater is used by or near children or invalids and whenever the heater is left operating and unattended.
16. Do not operate any heater after it malfunctions. Shut off power at wall switch and have heater inspected by a reputable electrician before reusing.
17. To disconnect heater, turn or switch controls to off, and turn off power to heater circuit at main disconnect panel or operate internal disconnect switch if provided.
18. The thermal protection activation indicates that the unit has been subjected to abnormal operating conditions. If the thermal protection remains activated or activates and deactivates repeatedly, it is recommended that a qualified electrician or a certified repair center examine the unit in order to make sure it is not damaged.
19. The heaters are intended to provide supplemental heat and not to take the place of a home's main heat source.
20. Do not block air intakes or exhaust in any manner as this may cause an electric shock or fire, or damage the heater.
21. Do not insert or allow foreign objects to enter any or exhaust opening as this may cause an electric shock or fire, or damage the heater.
22. The heater is for indoor use or damp location use such as basement or covered porches. Do not use outdoors in direct exposure to wet locations and rain.
23. Use this heater only as described in this manual. Any other use not recommended by the manufacturer may cause fire, electric shock, or injury to persons.
24. Before touching any wire, use a voltage tester to make sure it's not live. Tape a sign to the panel warning others to leave the circuit alone while you work.
25. Vaulted ceiling angle is not to exceed 15 degrees.
26. This appliance is not intended for use by persons (including children) with reduced physical, sensory or mental capabilities, or lack of experience and knowledge, unless they have been given supervision or instruction concerning use of the appliance by a person responsible for their safety.
27. Children should be supervised to ensure that they do not play with the appliance.



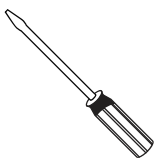
WARNING/AVERTISSEMENT:

To reduce the risk of fire, electric shock, or personal injury, mount to outlet box marked "FOR FAN SUPPORT." and use mounting screws provided with the outlet box. Most outlet boxes commonly used for the support of luminaires are not acceptable for fan support and may need to be replaced. Consult a qualified electrician if in doubt. The weight of the unit is 24lbs (11kg). The outlet box and support structure must be securely mounted and capable of reliably supporting a minimum of 15.9 kg (35 lb.). Use only UL listed outlet boxes marked for fan support.

To reduce the risk of electric shock, this fan must be installed with an isolating wall control/switch.



Tools Needed (Not Supplied)



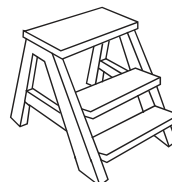
Flathead Screwdriver
(1# screwhead recommended)



Phillips Screwdriver



Safety Glasses



Step Ladder



Wire Stripper



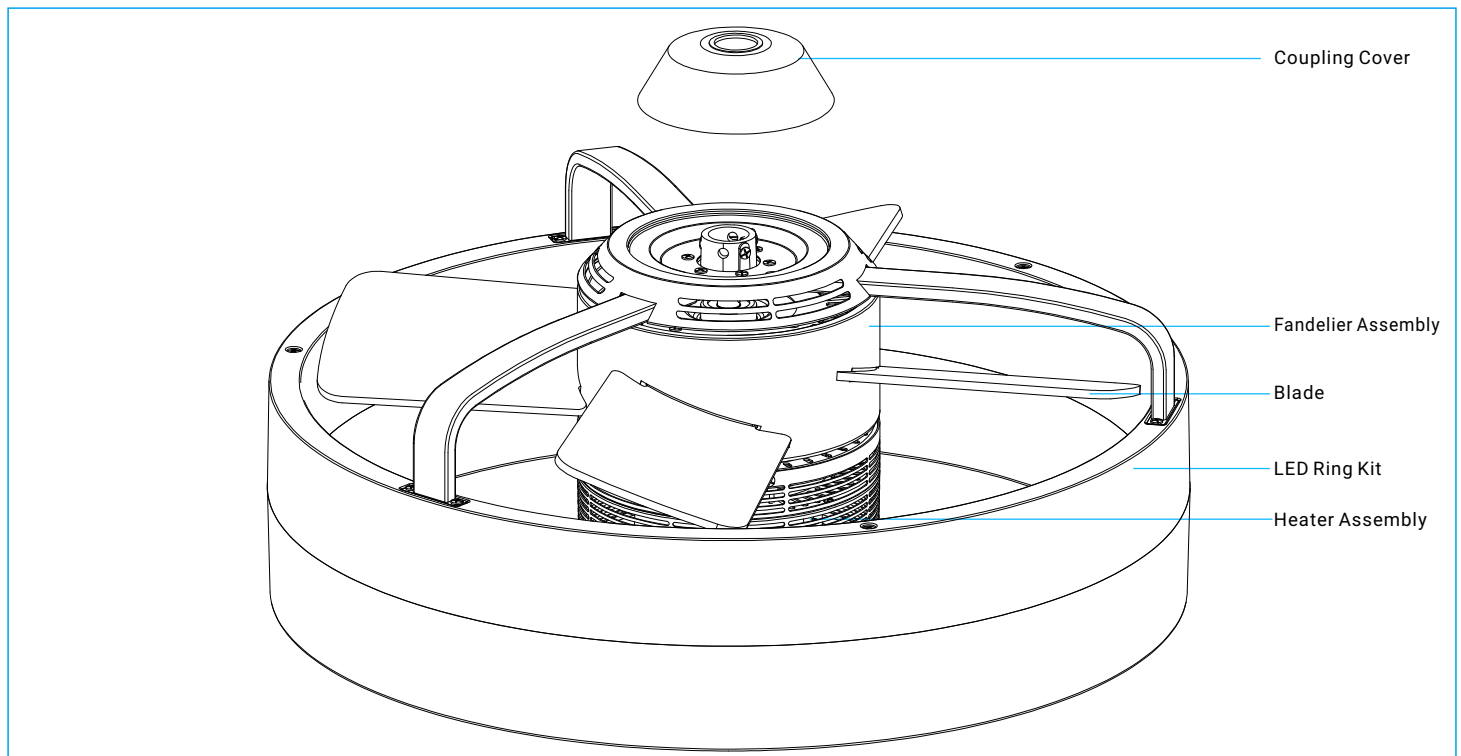
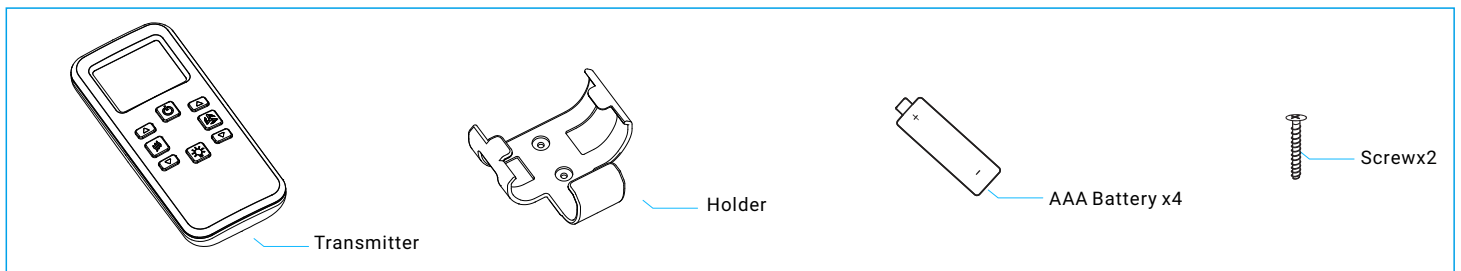
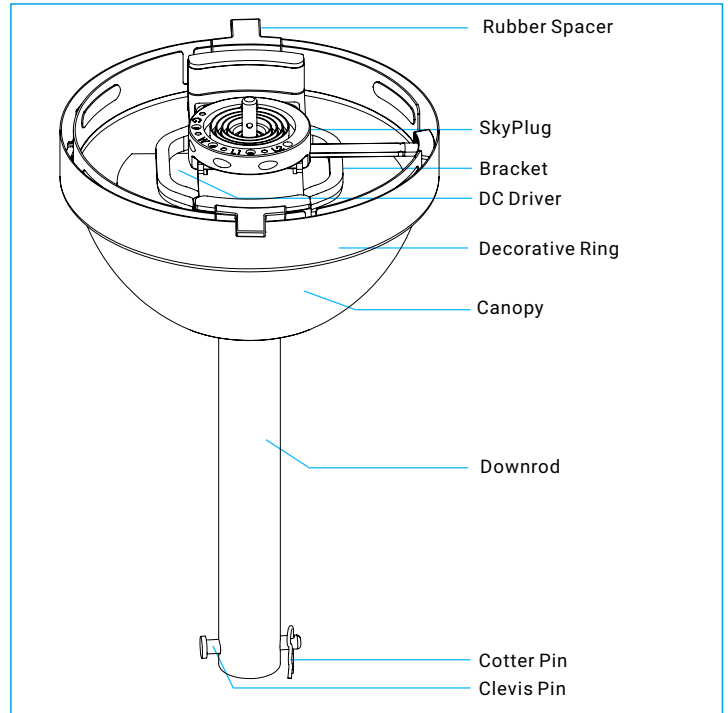
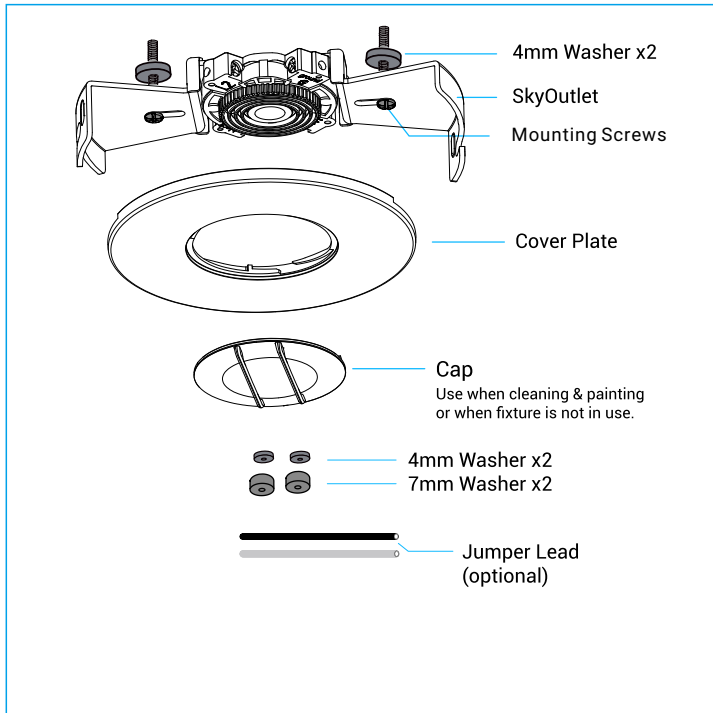
Soft Cloth

Parts Included

Carefully unpack and identify each part to make sure you have everything ready for installation. Lay out each part on a clean area such as a table or floor. Check to make sure you have the following:



ATTENTION: Parts are not to scale.



SkyOutlet Installation



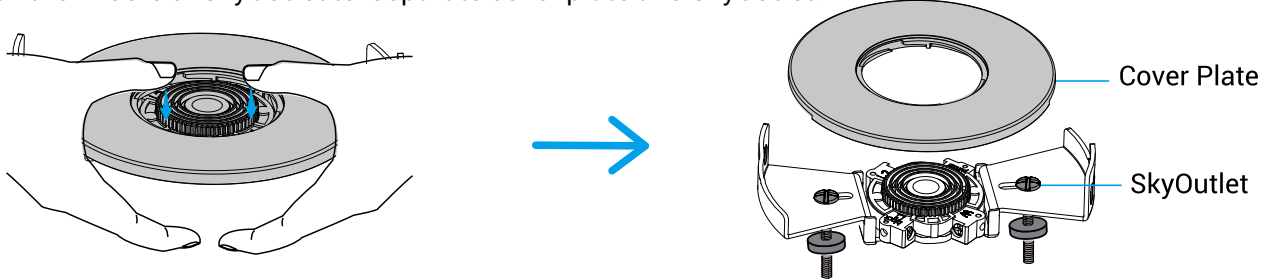
Scan the QR code to view SkyOutlet installation video.

CUSTOMER SERVICE

1-855-759-7584 | 9am-5pm EST Mon-Fri
www.SKYPLUG.com | support@skyplug.com

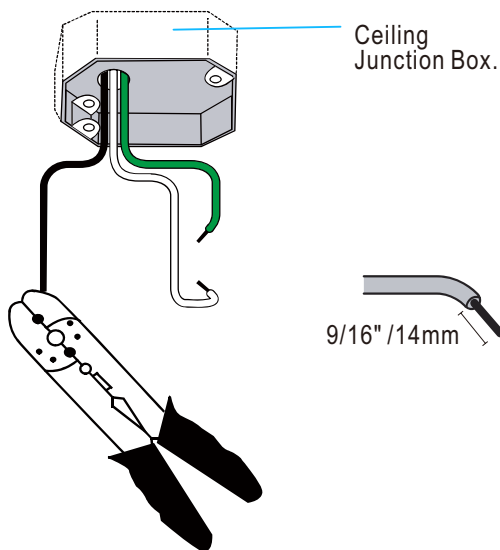
1 Prepare for SkyOutlet Installation

Push the middle of SkyOutlet to separate cover plate and SkyOutlet.

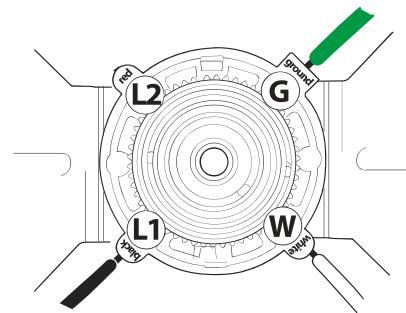


2 Wire SkyOutlet to ceiling junction box.

1. Strip wire to 9/16"/14mm.



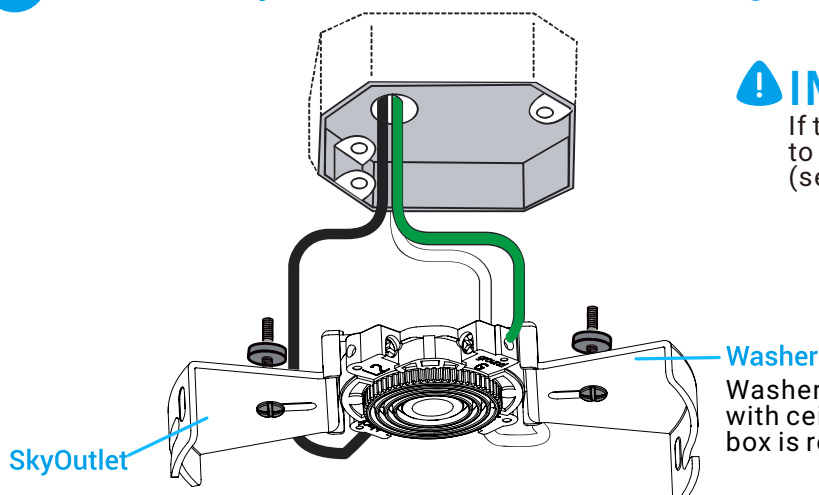
2. Loosen terminal screws to insert branch circuit wires into the corresponding terminals. Tighten to secure wires. Check to make sure wires are securely inserted into terminals. Set screw torque value at 6.3 lb/in.



NOTE: Typical wire configuration for fans with remote control is on the page 7.

If you do not have standard wiring configurations, please contact a qualified electrician or call customer service 1-855-759-7584.

3 Secure SkyOutlet to outlet box using 2 screws and washers(included).

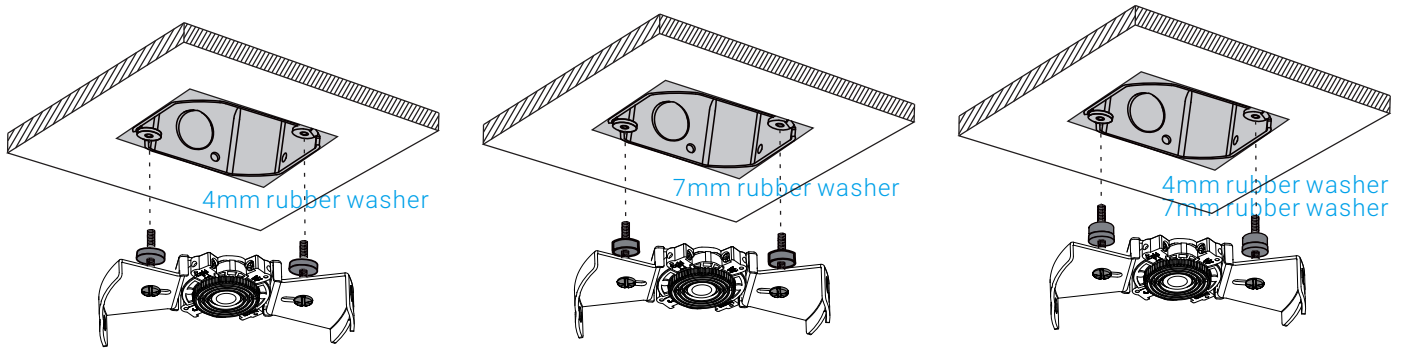


IMPORTANT:

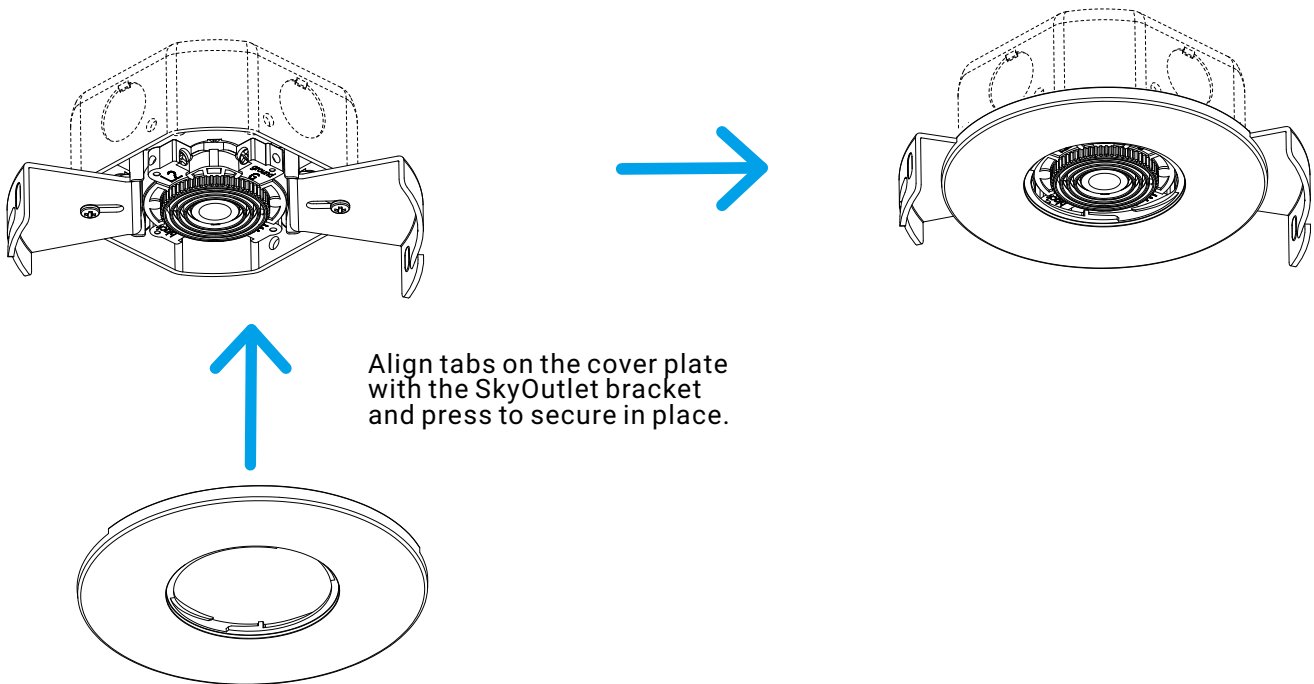
If the outlet box is recessed, use included washers to align the SkyOutlet flush with the ceiling surface. (see below Figure A)

Figure A

! IMPORTANT: If your box is flush with ceiling or recessed less than 1.5 mm (0.06"), use 4 mm washer. If recessed between 1.5 mm (0.06") and 3 mm (0.12") use larger 7 mm rubber washer. If recessed more, use combination of both washers.

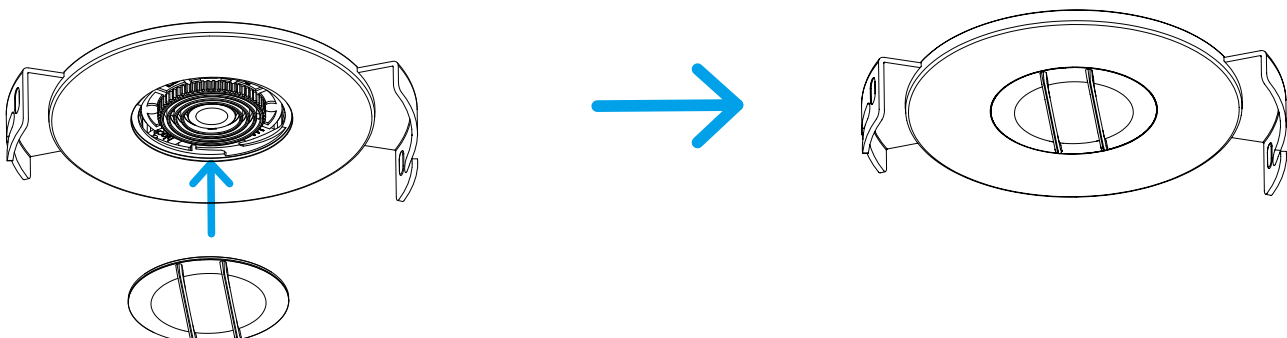


4 Secure cover plate as shown.



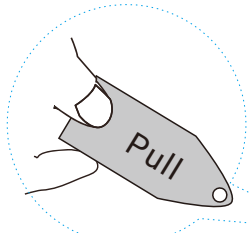
! NOTE:

A center cap is provided to cover and protect the SkyOutlet when the light fixture is removed for painting, maintenance, etc. To install the center cap, align the two slots on the cover plate and turn to secure.

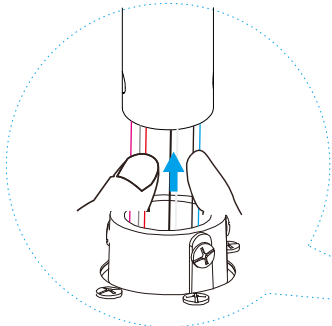


Fan Assembly to SkyPlug Canopy

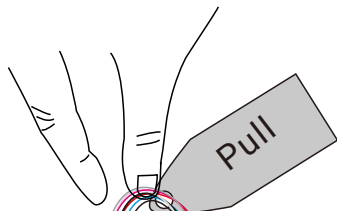
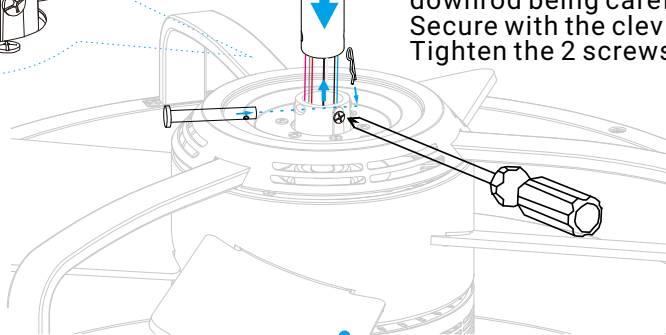
5 Assemble fandelier assembly to Canopy assembly .



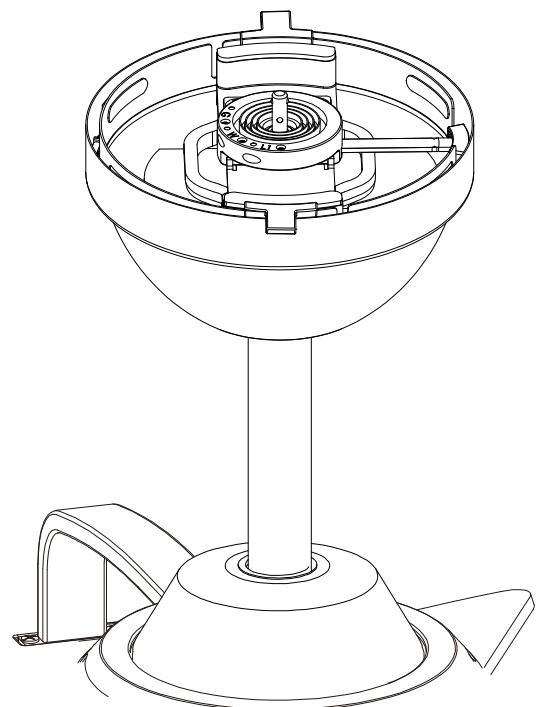
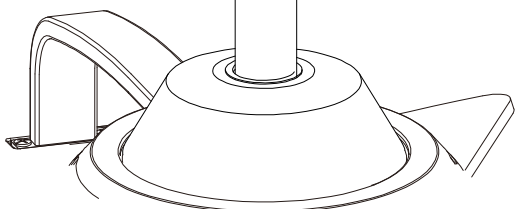
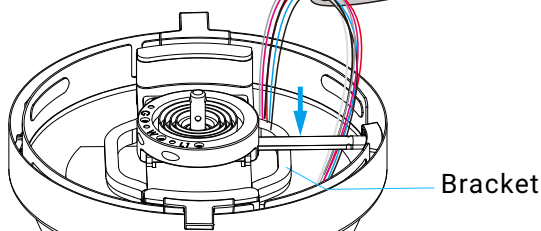
Feed wires up and gently pull the tag in the canopy, insert wires into the dowrod,



Insert the cotter pin through the holes in the downrod being careful not to jam wiring inside. Secure with the clevis pin. Tighten the 2 screws to secure in place.



Tuck the wires and the tag into the canopy under the bracket, away from the plug.

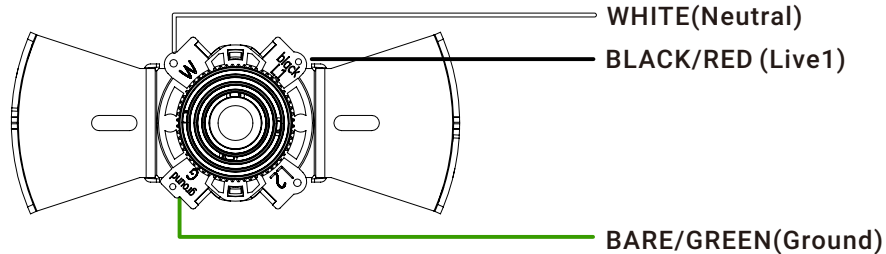


Typical Wire Configuration for Fans with Remote Control

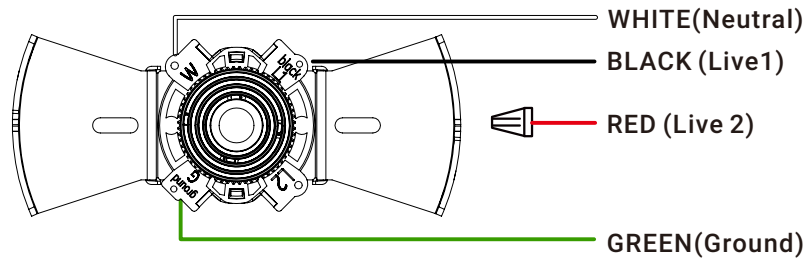
! IMPORTANT:

For remote control fans, L1 is the only active live /hot terminal. The hot/live wire from house supply must be inserted into L1 terminal for the fan to operate. The remote will control operate the fan and light separately.

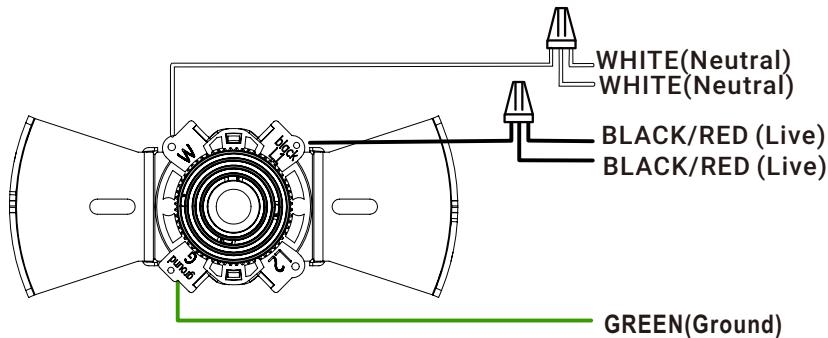
WIRING DIAGRAM #1:
Typical Wiring
Configuration
for 1 Wall Switch



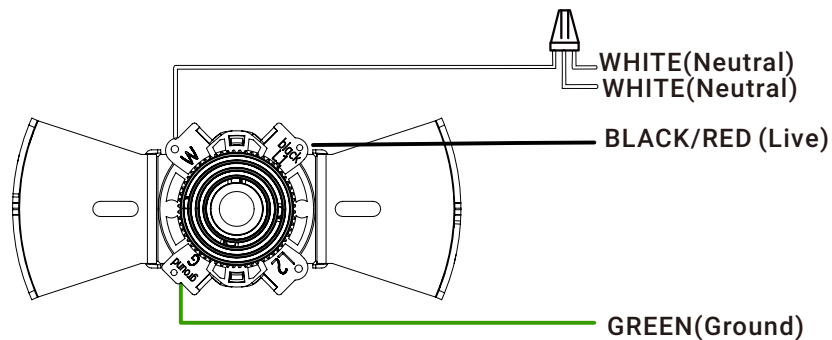
WIRING DIAGRAM #2:
Typical Wiring
Configuration
for 2 Wall Switches



WIRING DIAGRAM #3:
Typical Wiring
Configuration
for 2 Wall Switches



WIRING DIAGRAM #4:
Wiring Configuration
with more than 1
of the same colored
wires in the outlet box



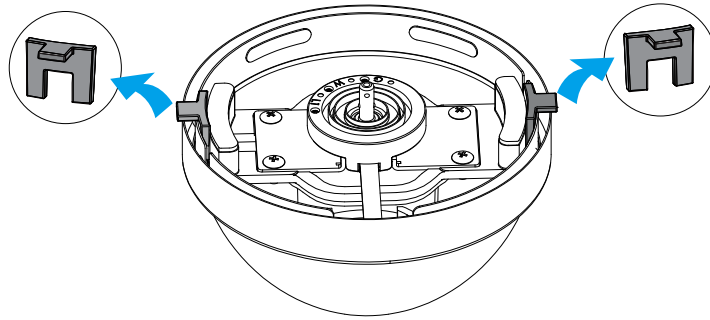
! NOTE:

If you do not have standard wiring configurations and have questions about the wiring in your outlet box, please contact a qualified electrician, or call customer service 1-855-759-7584.

If you have multiple wires connected together, add a jumper lead and insert jumper lead into terminal. Only one single wire can be inserted into terminal.

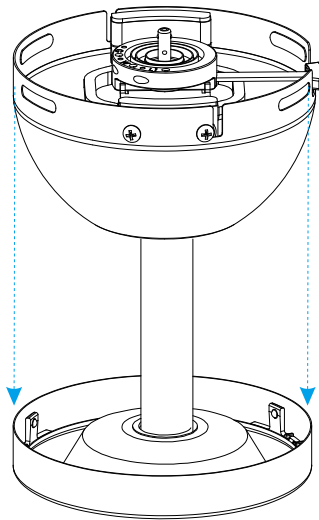
Fan Installation

6



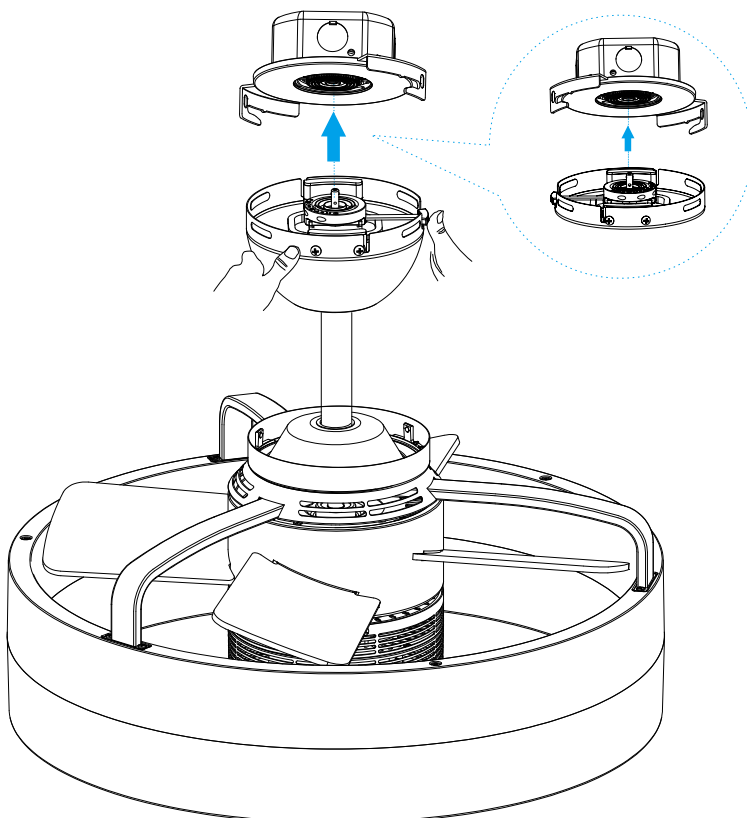
Remove and discard rubber inserts (loosen four mounting screws slightly if needed)

7



Slide down canopy trim ring from canopy.

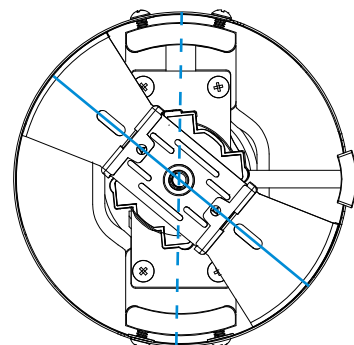
8A



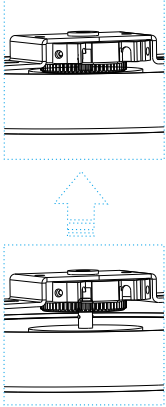
Lift fan, press in the push button.
Line up SkyPlug to SkyOutlet mounted in ceiling.
Insert SkyPlug into SkyOutlet
(Keep pressing push button while inserting).

! IMPORTANT:

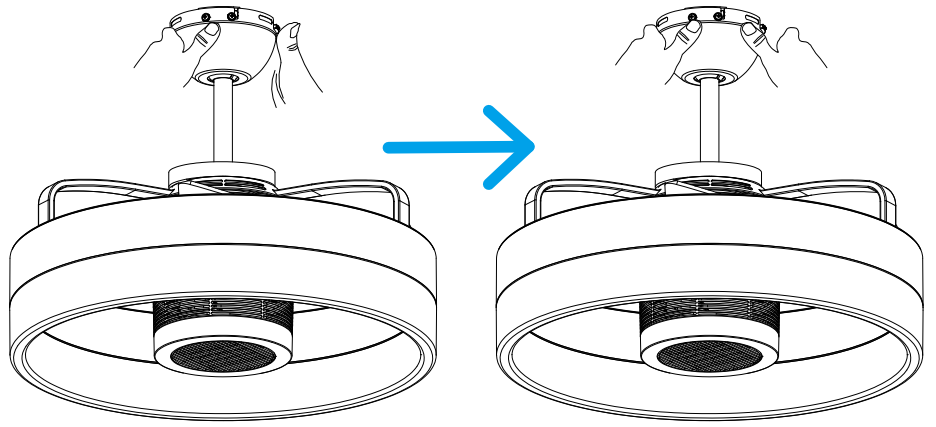
For proper mounting,
the SkyPlug and SkyOutlet
need to be lined up in a
"X" formation.



8B

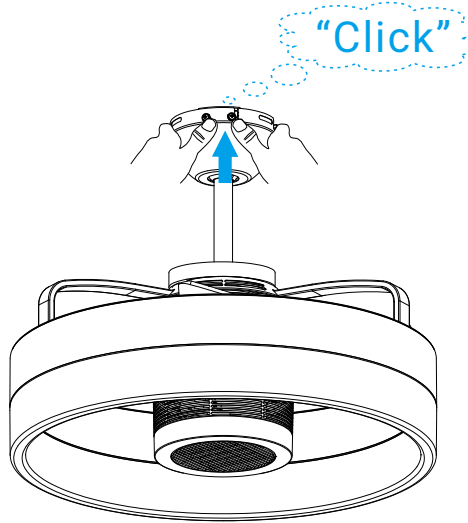


! IMPORTANT:
SkyPlug must be fully engaged into SkyOutlet.



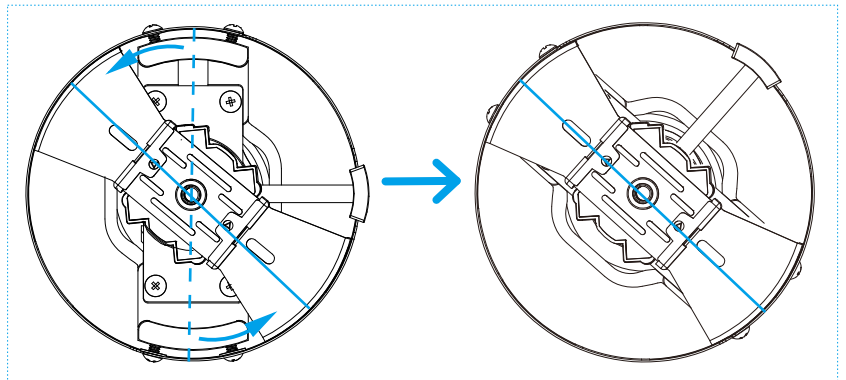
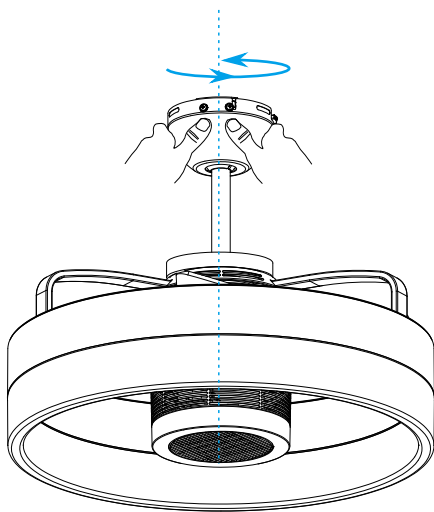
Once plug is fully inserted, let go of push button while supporting fan.

8C



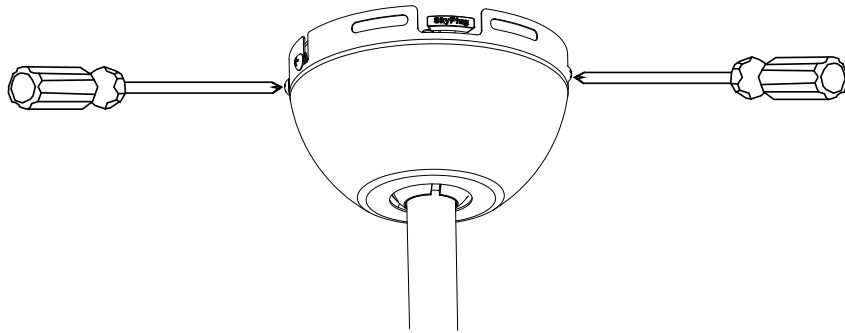
Push up on fan to lock SkyPlug into SkyOutlet (listen for locking "click").

8D



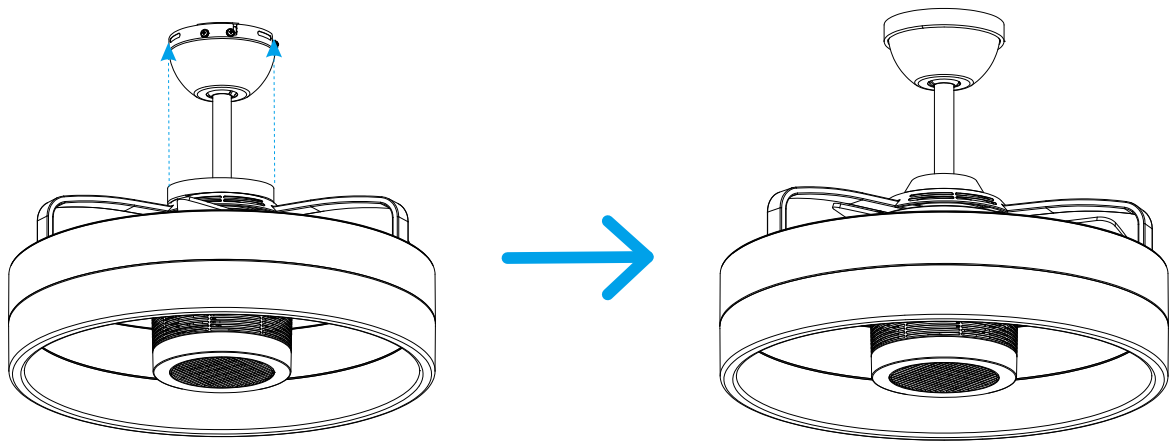
Turn fan to the right (counter clockwise) to engage into slots and activate the final locking mechanism.

9



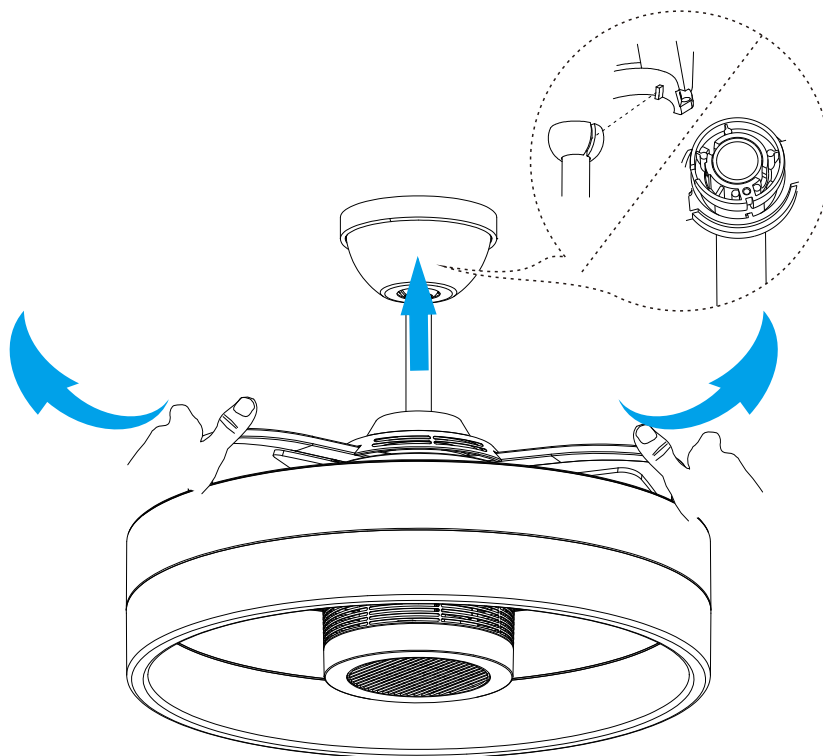
Once installed, tighten all 4 screws.

10



Reinstall trim ring,

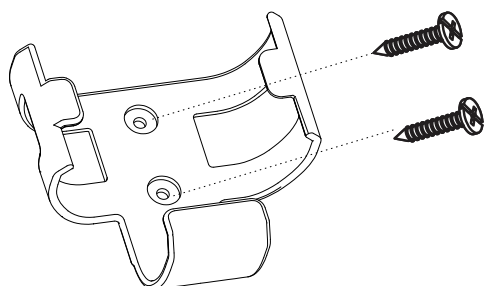
11



Lift up the fan body and gently adjust left and right so that hanger ball is properly seated in bracket.

Installing the Transmitter Holder

Select a location to install your transmitter holder.
Attach the transmitter holder with the
two short wood screws provided.



NOTE:

The transmitter (remote control) must be operated at a maximum distance of 6m (20ft) from the fan for proper signal transmission.

Fan Operation Using Standard Wall Switch

- Only one standard wall switch can be used to turn the fan ON/OFF. The fan light and fan speed must be controlled with the included remote control.
- An optional remote control holder is included, which can be mounted near the wall switch.
- As an additional option, wall controls that operate all fan and light function are available, please visit www.skyplug.com or contact customer service 1-855-759-7584 for details.

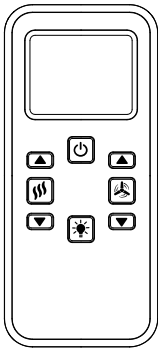


NOTE:





Do not wire this fan to a dimmer switch. The included remote control (or optional wall control) operates all dimming functions.

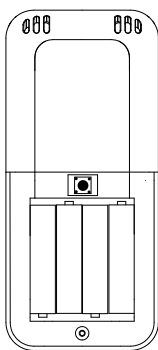
Remote Control Start-Up Guide

PART#15T-4S




TO SET UP REMOTE WITH INITIAL SETTING

- Step 1.** Restore power to ceiling fan.
- Step 2.** Install four 1.5-volt AAA batteries. (provided)
- Step 3.** Press the "  " button to turn ON/OFF the unit.
- Step 4.** Press the "  " button to operate the light.
To turn light ON/OFF-Press and release button.
To dim-Press and hold button.
- Step 5.** Press the "  " button to turn fan ON/OFF separately.
- Step 6.** Press the "  " button to turn heater ON/OFF separately.



TO SYNC

- Step 1.** Shut off power to all fans at wall switch. At the circuit breaker, reset the power (turn OFF and back ON) for the fan you are re-programming. Make sure batteries are installed correctly.
- Step 2.** Within 30 seconds of resetting the power, turn wall switch back on. Push the Sync "  " button for about 5-10 seconds, until the light on the fan flashes 3 times.
- Step 3.** Try different speed settings on the transmitter to ensure the fan is now fully functional. If not, repeat the process starting from step 1 again.

NOTE:

- To prevent damage to transmitter, remove all batteries if not used for long periods.
- Always purchase the correct size and grade of battery most suitable for the intended use.
- Clean the battery contacts and also those of the device prior to battery installation.
- Always replace the whole set of batteries at one time, taking care not to mix old and new ones, or batteries of different types.
- Ensure the batteries are installed correctly with regard to polarity (+and -).
- Remove used batteries promptly.
- Please contact your local batteries recycling center for proper battery disposal information.

This equipment has been tested and found to comply with the limits for a Class B digital device, pursuant to part 15 of the FCC Rules. These limits are designed to provide reasonable protection against harmful interference in a residential installation. This equipment generates, uses and can radiate radio frequency energy and, if not installed and used in accordance with the instructions, may cause harmful interference to radio communications. However, there is no guarantee that interference will not occur in a particular installation. If this equipment does cause harmful interference to radio or television reception, which can be determined by turning the equipment off and on, the user is encouraged to try to correct the interference by one or more of the following measures:

- Reorient or relocate the receiving antenna.
- Increase the separation between the equipment and receiver.
- Connect the equipment into an outlet on a circuit different from that to which the receiver is connected.
- Consult the dealer or an experienced radio/TV technician for help.

Changes or modifications not expressly approved by the party responsible for compliance could void the user's authority to operate the equipment. This device complies with part 15 of the FCC Rules. Operation is subject to the following two conditions:

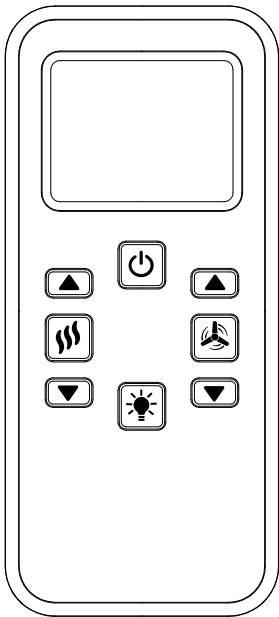
- (1) This device may not cause harmful interference, and
- (2) this device must accept any interference received, including interference that may cause undesired operation.






For additional syncing instructions, go to www.skyplug.com.


Remote Control Functions

PART#FAN15T(4S)



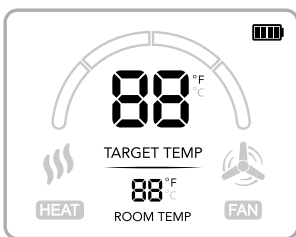
-  Power on/off.
To turn the whole unit ON or OFF.
-  Power the heater on/off separately.
 - ▲ Increase the desired room temperature.
 - ▼ Reduce the desired room temperature.

NOTE: there are two settings for heater, low wattage and high wattage. If desired temperature is set below or above 80 °F/26 °C, the wattage will be switched into low or high wattage status.
-  Power the ceiling fan on/off separately.
 - ▲ Increase the ceiling fan speed.
 - ▼ Reduce the ceiling fan speed.

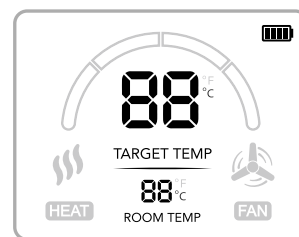
NOTE: Push up and down button together to reverse the spinning.
-  Controls the light and brightness setting.
To turn the light ON or OFF - press and release the button.
To dim - press and hold the button.
 The light button has an auto-resume, it will stay at the same brightness as the last time it was turned off.

LCD Display

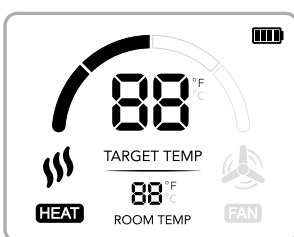
 Power



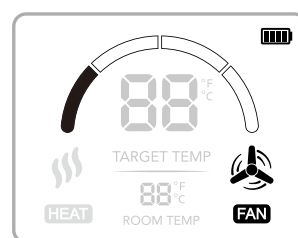
▲ + ▼
Change F to C



 Heat Setting



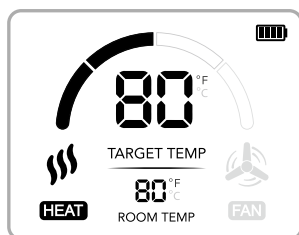
 Fan Settings



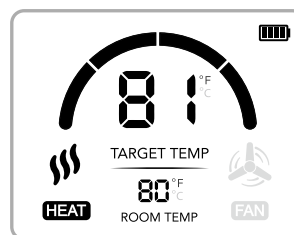
PTC Heater Operation

The range of desired room temperature you can set is from 40°F to 99°F (4.4°C to 37.2°C). The actual room temperature is controlled by the built-in digital thermostat, will display on the LCD all the time. **The heater is intended to provide supplemental heat and not to take the place of a home's main heat source. To reach the desired room temperature, please always have the main heat source on.**

The heater varies wattage output according to desired room temperature. If you set the desired room temperature $\leq 80^{\circ}\text{F} / 26^{\circ}\text{C}$, the heater will work at the low wattage mode. If you set the desired room temperature $> 80^{\circ}\text{F} / 26^{\circ}\text{C}$, the heater will work at the high wattage mode.



Low Wattage Mode



High Wattage Mode

Once the desired room temperature is reached, the heater will stop working. Once the actual room temperature is lower than the desired room temperature, the heater will rework again. You will hear click reset sound.

NOTE: For safety reason, the small heater fan will continue working for several minutes to cool down the PTC heating element when the heater power off or stop. A built-in thermostat will cut off the power of the heater if it is overheat in any event. Once the temperature is normal, the thermostat will restore power.

NOTE: To avoid overheat, the small heater fan will continue working for several minutes, then stop spinning.

NOTE: To avoid overheat and protect the circuit wires, there is a built-in thermostat next to the PTC housing, it will activate with a "click" sound and cut off the power when ambient temperature around 185°F (85°C). Once the ambient temperature is below 185°F (85°C), the thermostat will resume power and activate with a "click" sound either.

Maintenance

* Suggestions to help you maintain your fan *

Because of the fan's natural movement, some connections may become loose. Check the support connections, brackets, and blade attachments twice a year. Make sure they are secure. (It is not necessary to remove fan from ceiling).

* Cleaning the fan *

Clean your fan periodically to help maintain its new appearance over the years. Use only a soft brush or lint-free cloth to avoid scratching the finish. The plating is sealed with a lacquer to minimize discoloration or tarnishing. Do not use water when cleaning. This could damage the motor, the wood, or possibly cause an electrical shock.

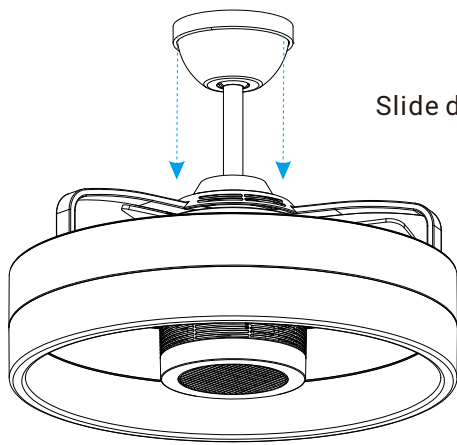
*** There is no need to oil your fan. The motor has permanently lubricated sealed ball bearings ***

WARNING: Make sure the power is turned off at the electrical panel box before you attempt any repairs.

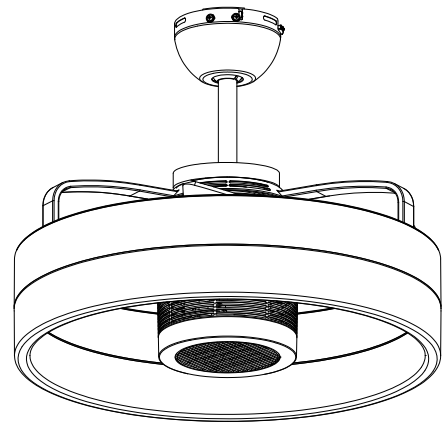
NOTE: To avoid personal injury or damage to the fan and other items, be cautious when working around or cleaning the fan.

DANGER: Do not touch the heater while it's working or stop working no less than 1 hour, wearing gloves is highly recommended.

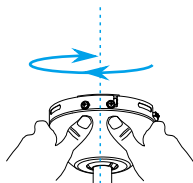
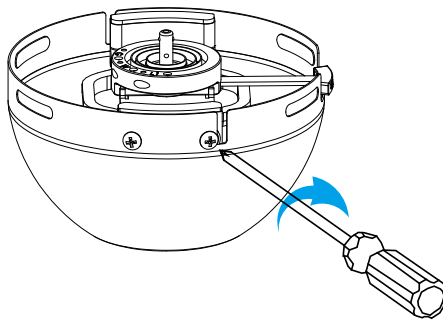
Removing Fan From Ceiling



Slide down trim ring from canopy

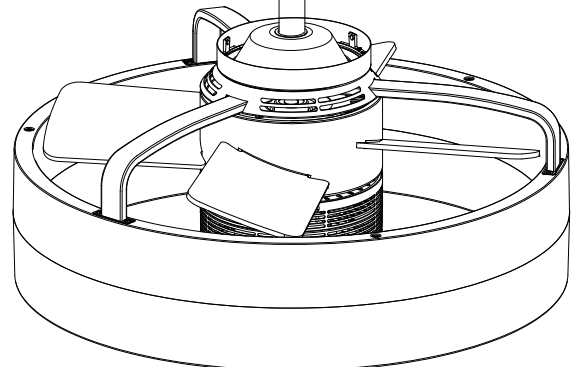
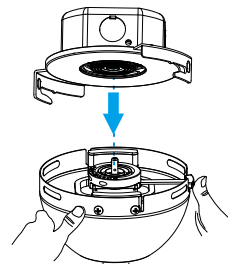


Loosen but not remove 4 screws

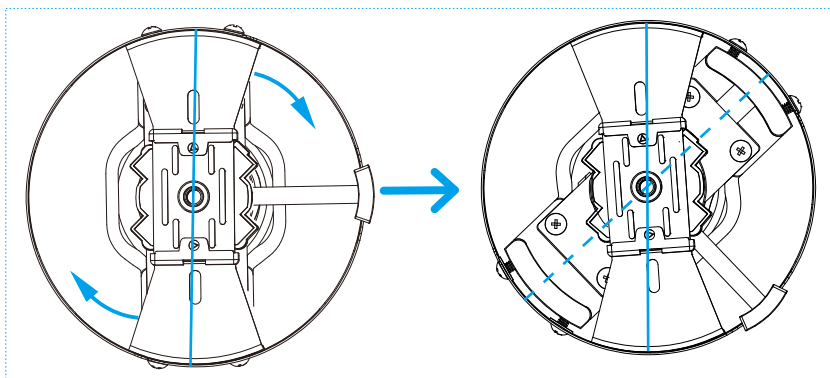


Hold fan firmly, turn to the left (clockwise).

! CAUTION/ATTENTION :
Do not let fan fall.



While holding fan, press push button to release fan.

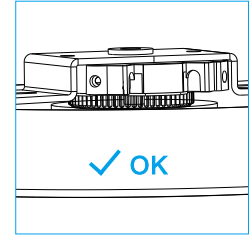
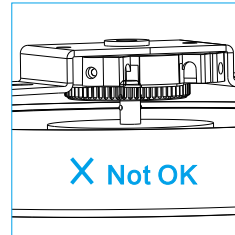


Troubleshooting

! CAUTION/ATTENTION: Switch off power supply before carrying out any of these checks.

1. SkyPlug will not insert into SkyOutlet:

- Add rubber washers between J-box and SkyOutlet. See [Page 6 Fig.A](#)
- Make sure you removed the disposable rubber insert ([page 9](#)).
- Watch installation video on www.skyplug.com.
- Press the push button all the way in to relock

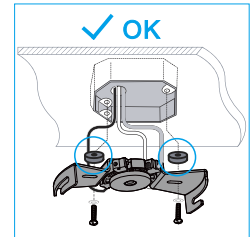
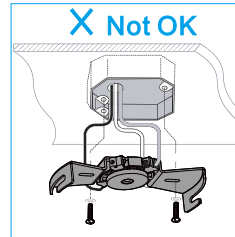


2. Fan will not start:

- Check main and branch circuit fuses or breakers.
- Check to make sure the wall switch is in the on position.
- Check remote control operation.

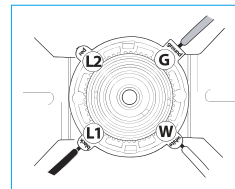
3. Fan will not operate:

- The SkyPlug on the fan canopy should be fully inserted into the SkyOutlet. There are 2 levels of ball bearings on the plug stem. The lower set of ball bearing needs to be fully inserted into the SkyOutlet.



- Ensure the 4mm (or combination of washers) was used when installing the SkyOutlet on the ceiling. (You may have an uneven outlet box). The SkyPlug must fully insert into the SkyOutlet to make the electrical connection.

- Ensure you inserted the wires correctly into the SkyOutlet. Black wire into L1, White wire into W, Ground into G.



4. Fan sounds noisy:

- Make sure all motor housing screws are snug.
- Make sure there is a short distance from the ceiling to the canopy. It should not touch the ceiling.
- Make sure your ceiling box is secure and rubber isolator pads are used between mounting bracket and outlet box.

5. The LED will not light:

- Ensure the power supply is turned on.
- Ensure the circuit breaker is set to "ON" position.

6. Remote control will not work:

- Ensure batteries are new and installed correctly.
- Ensure the dip switches are set correctly.
- Sync the remote control by following [page 13](#).
- Go to www.skyplug.com for additional syncing instructions.

7. Fan wobbles:

- Ensure fan housing ball is properly seated in the bracket. ([page 11](#))

8. Heater will not work:

- Protection is working, wait for a while, once the heater cooled down, it will restore the power.
- Replace the thermal link. Call a qualified electrician.
- Replace the heater assembly.

Still have Questions, Call 1-855-759-7584.

Warranty

LIMITED PRODUCT WARRANTY

For warranty info, visit www.skyplug.com/warranty.