

Belmont Credenza

Emerson Credenza

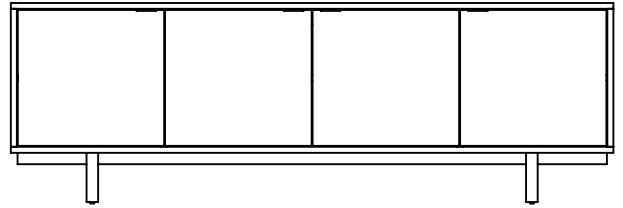
Myles Credenza

CARE & CLEANING

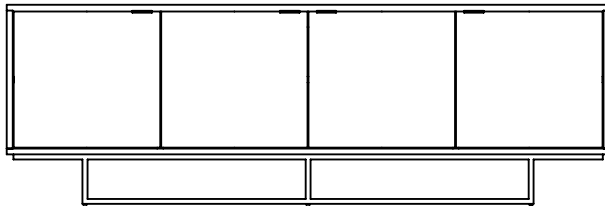
Clean the wood surfaces with a damp, soft cloth, and then dry.

The base may be polished with a soft cloth and gentle cleaner.

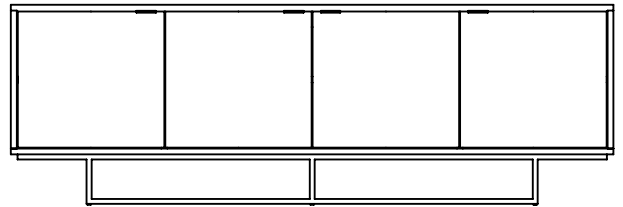
Do not use abrasive cleaning products.



Belmont Credenza

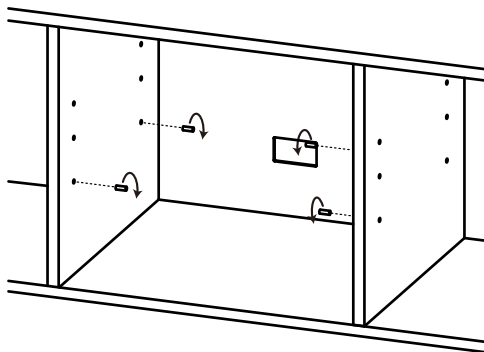


Emerson Credenza

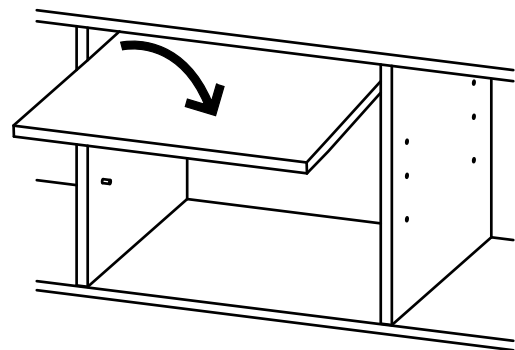


Myles Credenza

SHELF SUPPORTING PINS AND ADJUSTABLE SHELVINGS INSTALLATION



Determine the height where you would like your shelf to sit and gently screw in the supporting pins into the 4 corresponding holes. To maximize stability, periodically tighten the supporting pins.

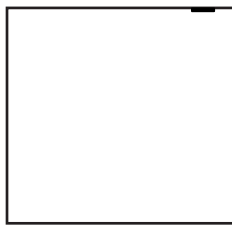
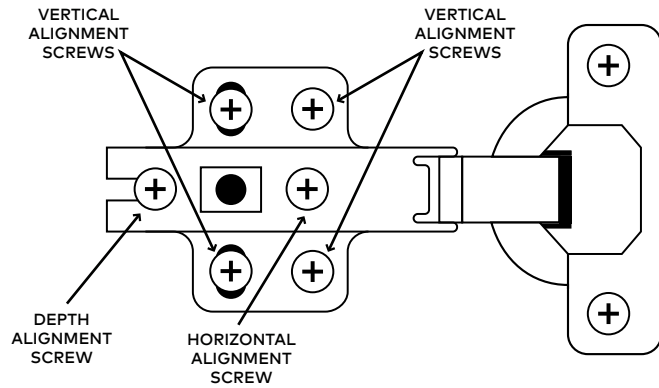


Slowly rest the shelving panel on top of the pins. Line up the four pins with cut-outs on the bottom of the shelving panel.

DOOR ADJUSTMENTS

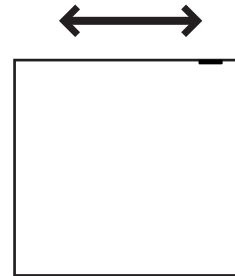
You may wish to adjust the position of the credenza doors for level or alignment.

Use a Phillips screw head to tighten and loosen screws as desired.



VERTICAL

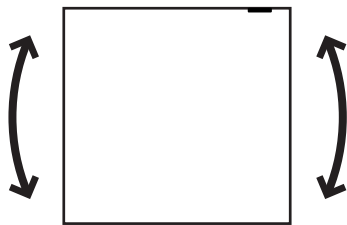
To adjust a door up or down, loosen all four of the vertical alignment screws (two per hinge). Gently slide the door up or down to the desired position and tighten the screws.



HORIZONTAL

To adjust a door left or right, turn both of the horizontal alignment screws (one per hinge) in the same direction.

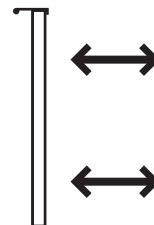
Adjustment left or right will vary depending on the door.



ROTATIONAL

To rotate a door, turn the horizontal alignment screw one direction for the top hinge, and in the opposite direction for the bottom hinge.

Adjustment clockwise or counter-clockwise will vary depending on the door.



DEPTH

To adjust a door in and out from the credenza, loosen the depth alignment screws, then move the door to the desired position and tighten the screws.