

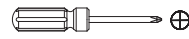
ASSEMBLY INSTRUCTIONS

ASSEMBLY
REQUIREMENTS

2-Person
Assembly

1.5 Hour
Assembly Time
(Approximate)

Tools Required
(Not Provided)



Phillips Screwdriver



Flat Screwdriver



Hammer

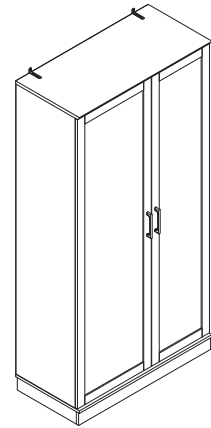
Thank you for purchasing our product!

Please refer and use this assembly instruction to assemble the product. Contact our customer service department in case there are any missing or damage parts or hardware. Replacement parts are normally shipped within 2 or 3 days.

We appreciate your business!

PRODUCTS PURCHASED THROUGH OUR AUTHORIZED VENDORS ONLY ARE ELIGIBLE FOR REPLACEMENT PARTS.

THIS PRODUCT IS FOR INDOOR AND HOUSEHOLD USE ONLY-NOT FOR COMMERCIAL USE.



ASSEMBLY PREPARATION

1. Remove all packaging materials, staples and packing straps from the carton.
2. Refer to Parts List and Hardware List, and ensure parts and hardware are correct before assembly. Contact customer service for missing parts.
3. Place all wooden parts on a clean, flat and soft surface (e.g. carpet or rug) to prevent scratch and damage to parts.

SAFETY PRECAUTION

1. KEEP ALL HARDWARE PARTS OUT OF REACH OF CHILDREN.
2. DISPOSE PLASTIC PACKAGING MATERIAL IMMEDIATELY TO AVOID ANY RISK OF SUFFOCATION TO CHILDREN AND ANIMALS.

TIPS FOR ASSEMBLY





















1. Allow ample room for assembly and assemble the unit close to where product will be placed.
2. Assemble the product on a surface that does not scratch or damage the exterior gloss and finish of the furniture.
3. Identify all of the parts, hardware and quantities required for each step.
4. During assembly, do not over-tighten any fittings as this may cause damage.
5. DO NOT USE POWER TOOLS TO ASSEMBLE THIS PRODUCT.
6. Always place the product on a flat, level surface.
7. Do not sit or stand on the partially assembled product; only use the product for which it is intended.

CARE AND MAINTENANCE

- Use a slightly damp cloth to clean the product. Do not use bleach or abrasive cleaning material.
- Check all the fittings periodically and re-tighten as necessary. Do not use the product if any of the parts is damaged or broken.
- Never allow any kind of liquid to remain on your furniture. Absorption can cause wood to warp or delaminate.
- Do not place hot items (e.g. hot drinks) directly onto the wood surface.
- Do not drag and/or pull the furniture.

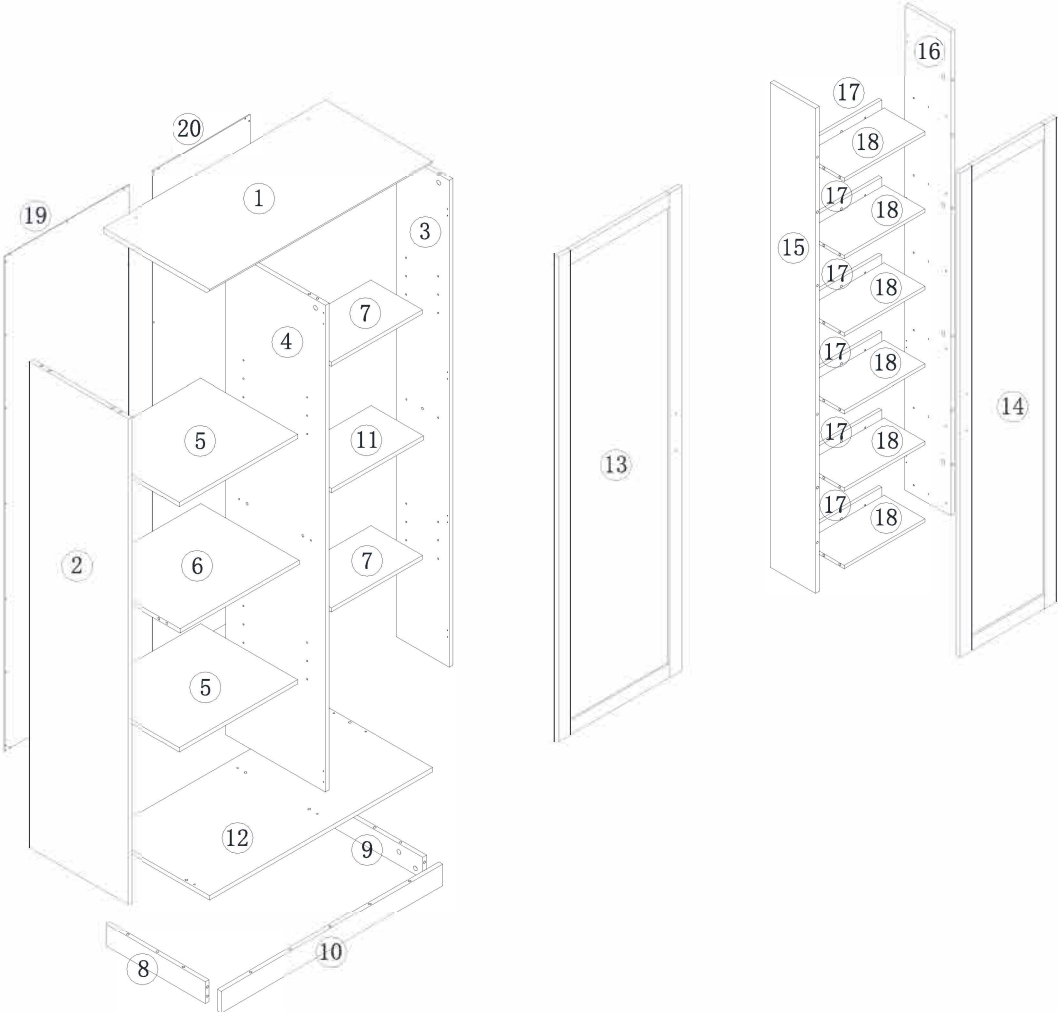
ASSEMBLY INSTRUCTIONS

Parts List

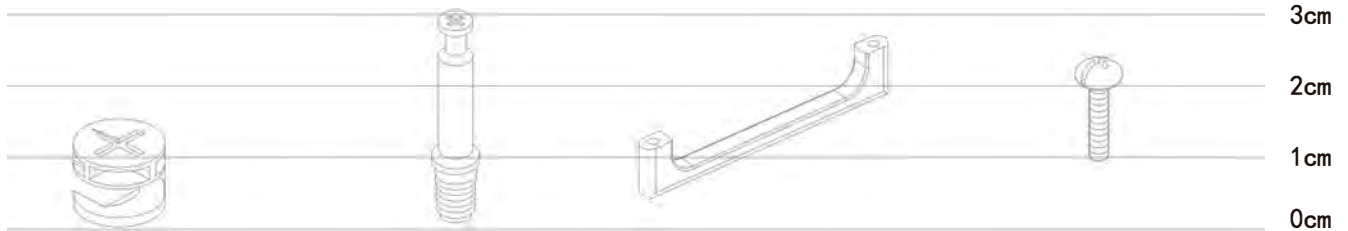
1	 Top Panel	1PC	8	 Base Left Panel	1PC	15	 Right Vertical Shelf Panel	1PC
2	 Left Panel	1PC	9	 Base Right Panel	1PC	16	 Left Vertical Shelf Panel	1PC
3	 Right Panel	1PC	10	 Base Front Panel	1PC	17	 Shelf Back	6PCS
4	 Middle Panel	1PC	11	 Small Shelf	1PC	18	 Shelf	6PCS
5	 Adjustable Shelf	2PCS	12	 Bottom Panel	1PC	19	 Large Back Panel	1PC
6	 Large Shelf	1PC	13	 Left Door	1PC	20	 Small Back Panel	1PC
7	 Small Adjustable Shelf	2PCS	14	 Right Door	1PC			

ASSEMBLY INSTRUCTIONS

Parts Assembly Overview



ASSEMBLY INSTRUCTIONS

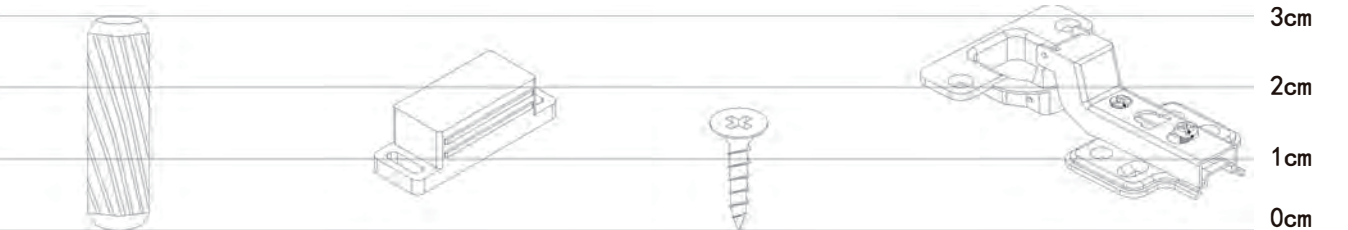


67X
Dia.15mm
A
Cam-lock

67X
M 6mm
B
Cam-bolt

2X
C
Handle

4X
D
Handle Bolt



44 X
Dia.8X30mm
E
Wooden Dowel

2 X
F
Magnetic Catch

38X
M3x14mm
G
Screw

3X
H
Hinges



29X
I
Nail

8X
M4x35mm
J
Screw

16X
K
Shelf Pin

2X
M4X12mm
L
Screw

2X
M
Bracket

2X
N
Wall Anchor



2X
O
Door Clip
Buckle

2X
P
Door
Stopper Bar

4X
Q
Door
Hinge

2X
R
Metal Plate

18X
M3.5X14mm
S
Screw

3X
T
Back Support Plate

INSTRUCTIONS FOR CAM-BOLT & CAM-LOCK

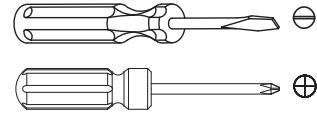


CAM-BOLT



CAM-LOCK

Tools Required



INSERTING AND TIGHTENING CAM-BOLT

Place Cam-bolt on pre-drilled hole and screw in vertically

Shoulder is flushed (on the same level) with the panel.

Shoulder is above the panel.

Place Cam-bolt on the designated pre-drilled hole on the panel. Use a Phillips Screwdriver to screw-in Cam-bolt vertically until shoulder is flushed (on the same level) with panel.

INSERTING CAM-LOCK

Insert Cam-lock with arrow align to Cam-bolt head

CORRECT

WRONG

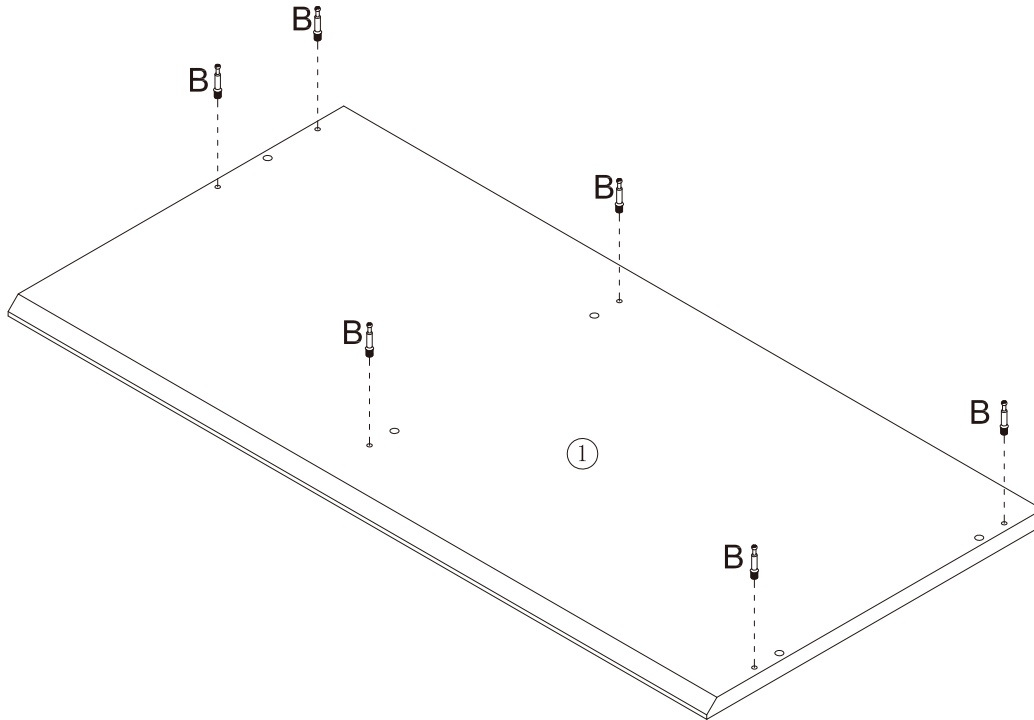
Align the arrow on the Cam-lock to the Cam-bolt head and insert the Cam-lock. Ensure Cam-lock is fully inserted.

TIGHTENING CAM-LOCK



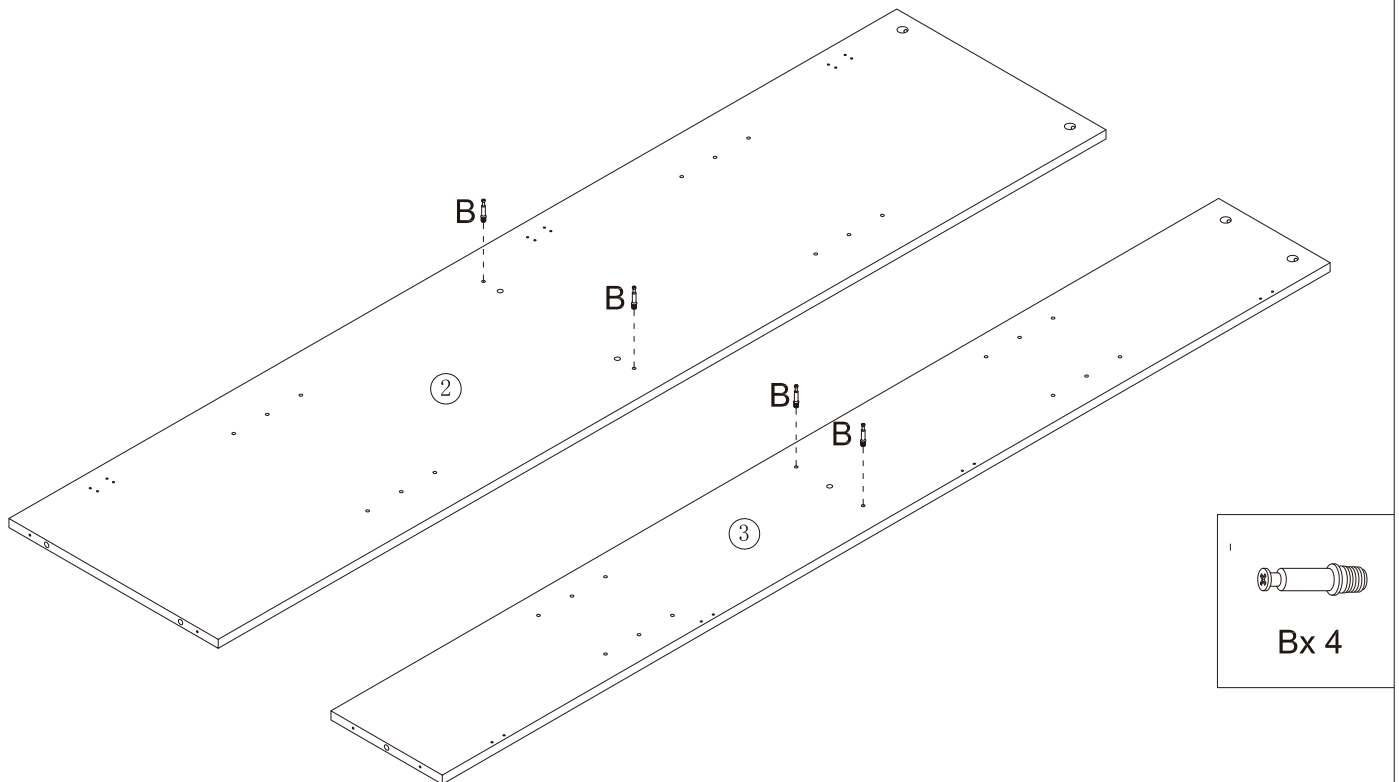
Use a Flat-head Screwdriver to turn Cam-lock clockwise so it locks onto the head of the Cam-bolt. Turn until it is snug (about 3/4ths of a turn) -- over-tightening could damage Cam-lock or/and Cam-bolt.

STEP1



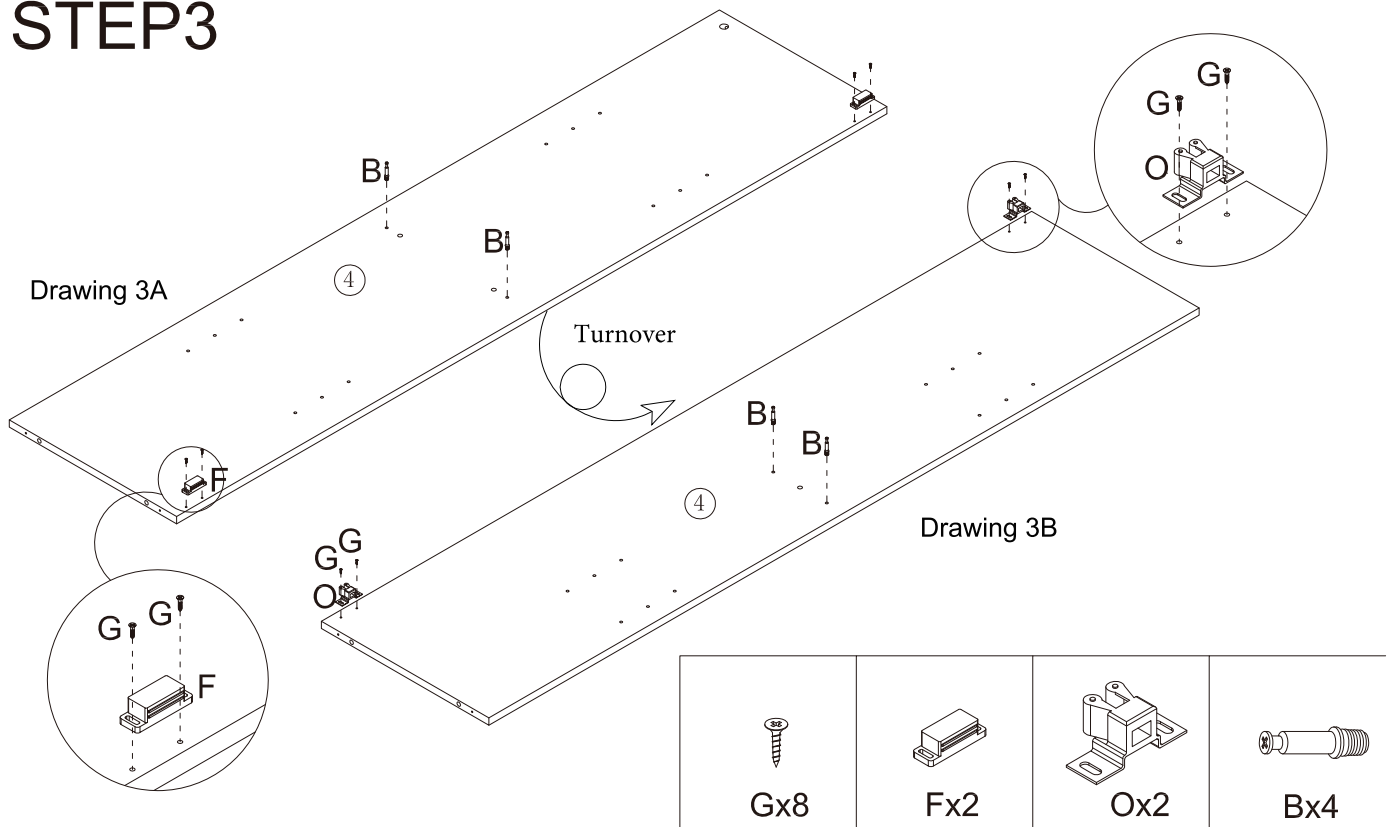
A. Lay the Top Panel (1) on a material that does not scratch the part and screw Cam-bolt (B) into the designated holes on (1). Refer to Page 5 for instructions on inserting and tightening cam-bolt

STEP2



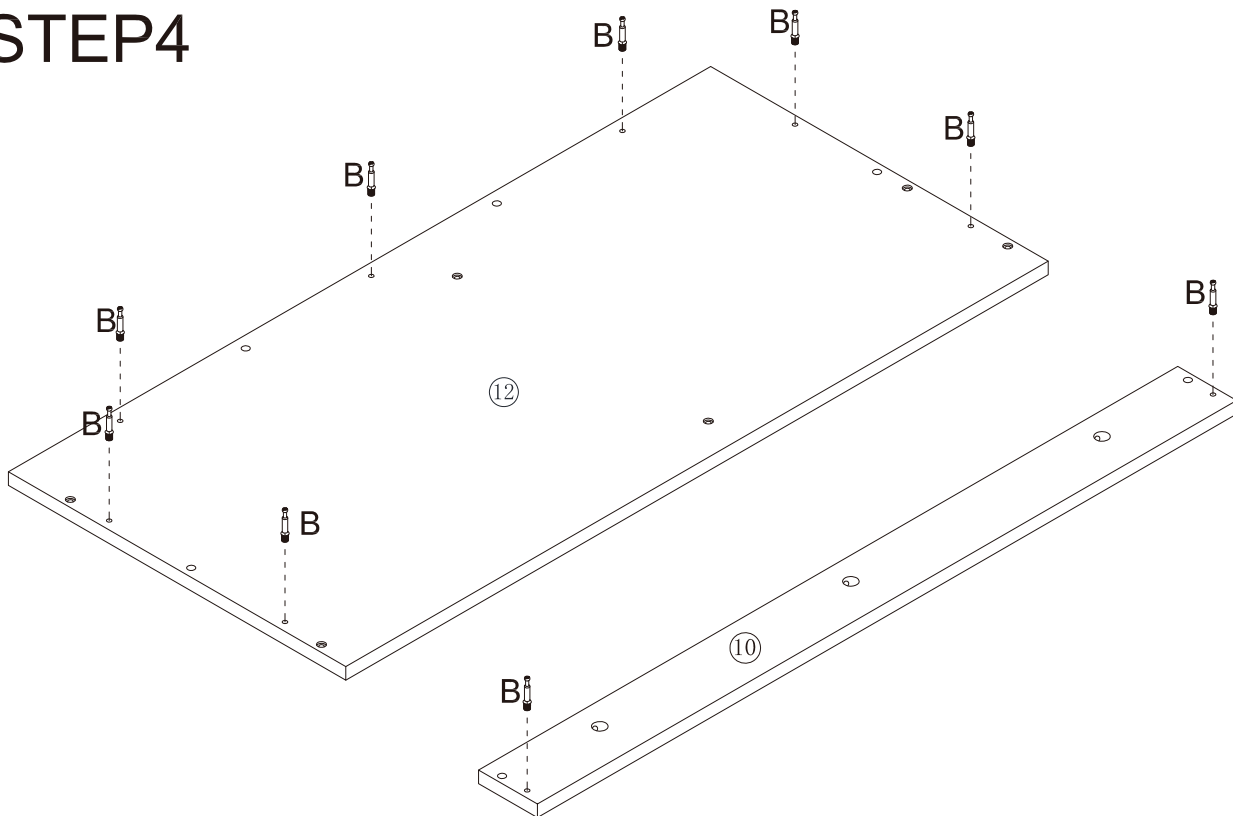
A. Lay the Left and Right Panel (2 & 3) on a material that does not scratch the part and screw Cam-bolt (B) into the designated holes on (2 & 3).

STEP3

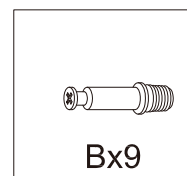


- A. Lay Middle Panel (4) as shown in Drawing 4A and use Screw (G) to fasten Magnetic Catch (F) at the pilot holes. Next, screw in Cam-bolt (B) in the designated holes at the middle of (4).
- B. Turnover (4) and use Screw (G) to fasten Door Clip Buckle (O) at the pilot holes. Next, screw in Cam-bolt (B) into the designated holes at the middle of (4).

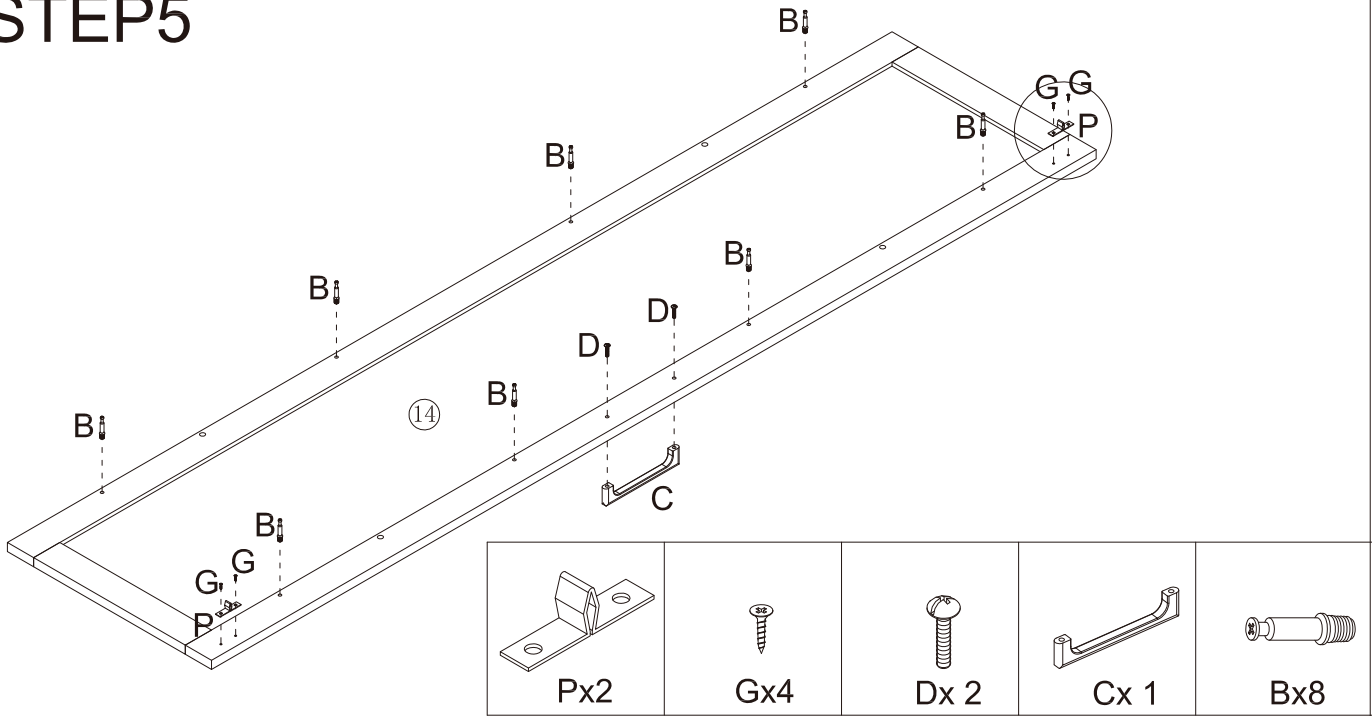
STEP4



Lay the Bottom Panel (12) and Base Front Panel (10) on a material that does not scratch the part and screw Cam-bolt (B) into the designated holes on (12 & 10).

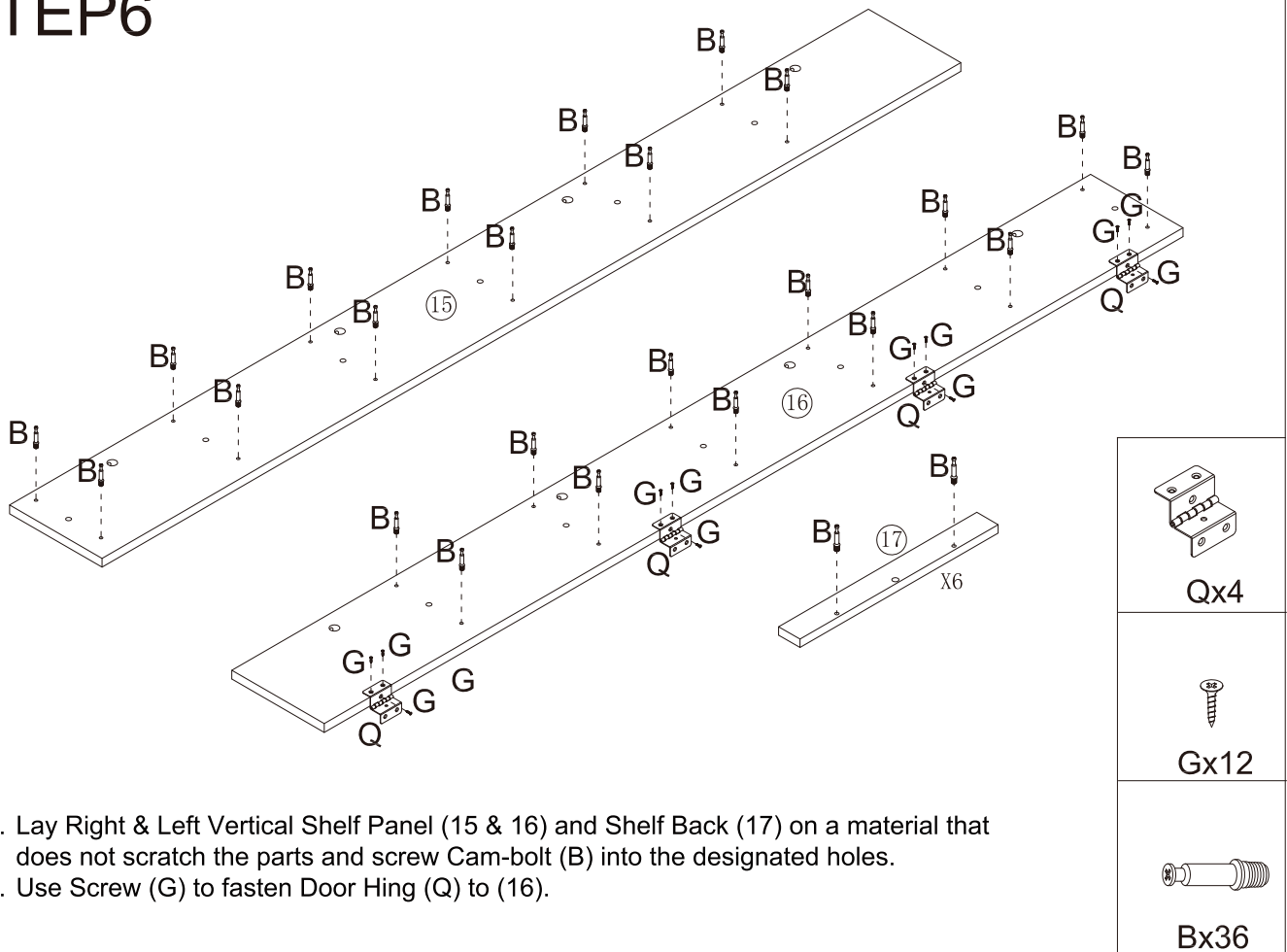


STEP5



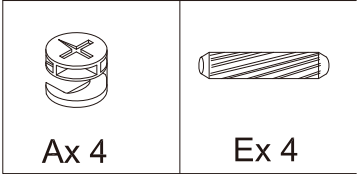
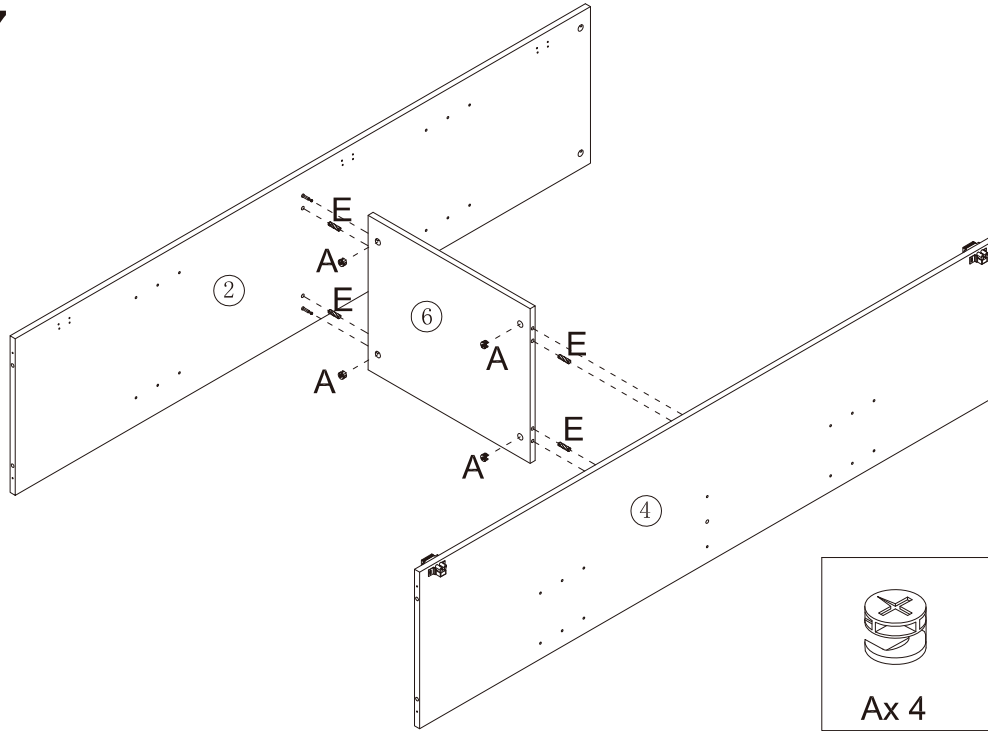
- A. Lay Right Door (14) on a material that does not scratch the part and screw Cam-bolt (B) into the designated holes and use Screw (G) to fasten Door Stopper (P).
- B. Use Handle Bolt (D) to affix Door Handle (C) to (14).

STEP6



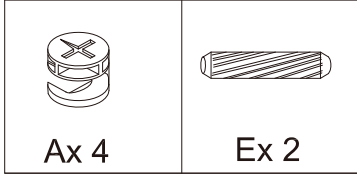
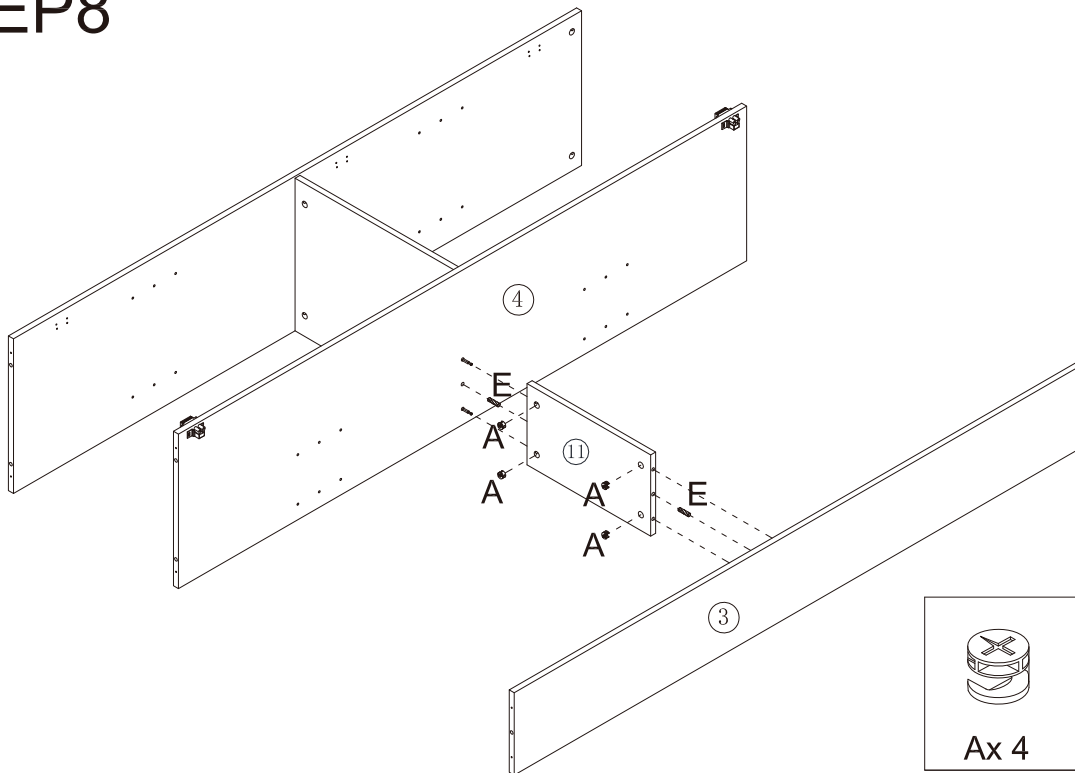
- A. Lay Right & Left Vertical Shelf Panel (15 & 16) and Shelf Back (17) on a material that does not scratch the parts and screw Cam-bolt (B) into the designated holes.
- B. Use Screw (G) to fasten Door Hinge (Q) to (16).

STEP7



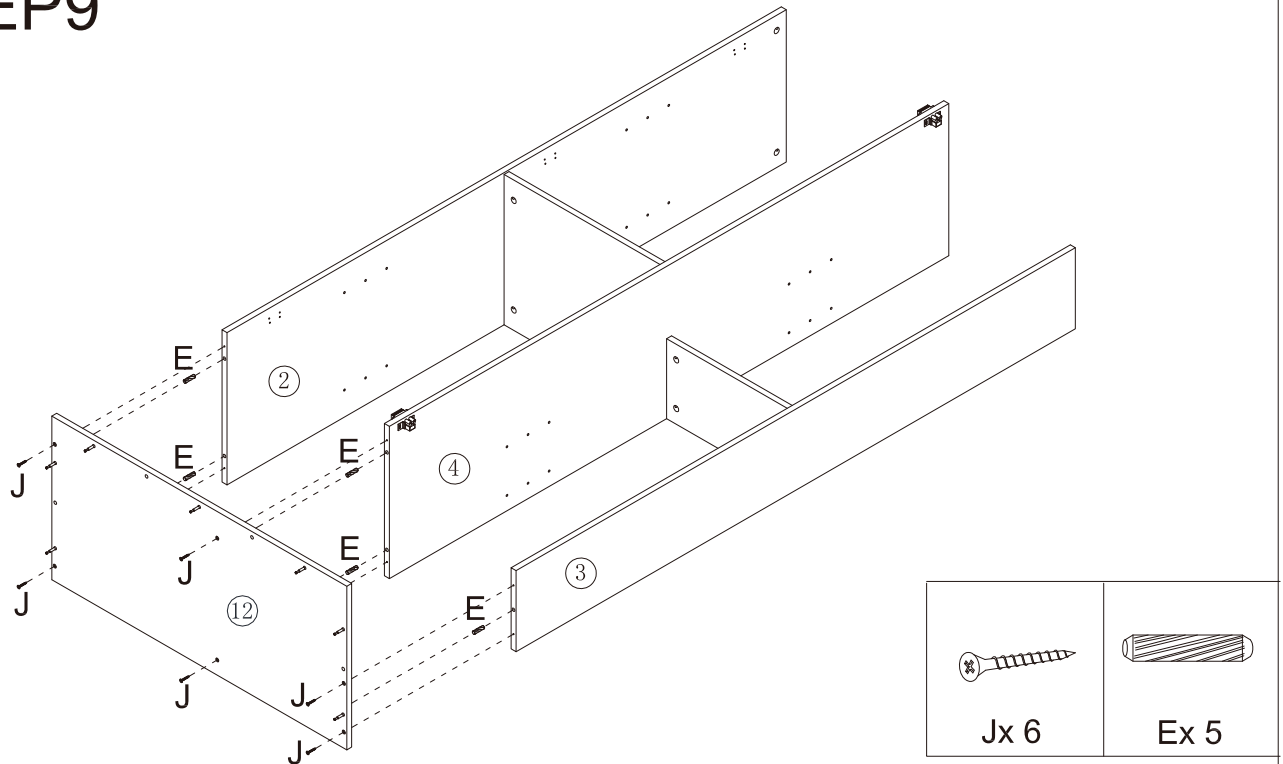
- A. Lay the parts as shown.
- B. On the Left Panel (2) insert Wood Dowel (E) into the inner hole beside the cam-bolt and attach Shelf (6) to (2) via the cam-bolt and wood dowel.
- C. Insert Cam-lock (A) into designated holes on (6) then turn clockwise to lock onto cam-bolt. Refer to Page 5 for instructions on inserting and tightening cam-lock.
- D. Use the above procedures to install Middle Panel (4) to (6).

STEP8



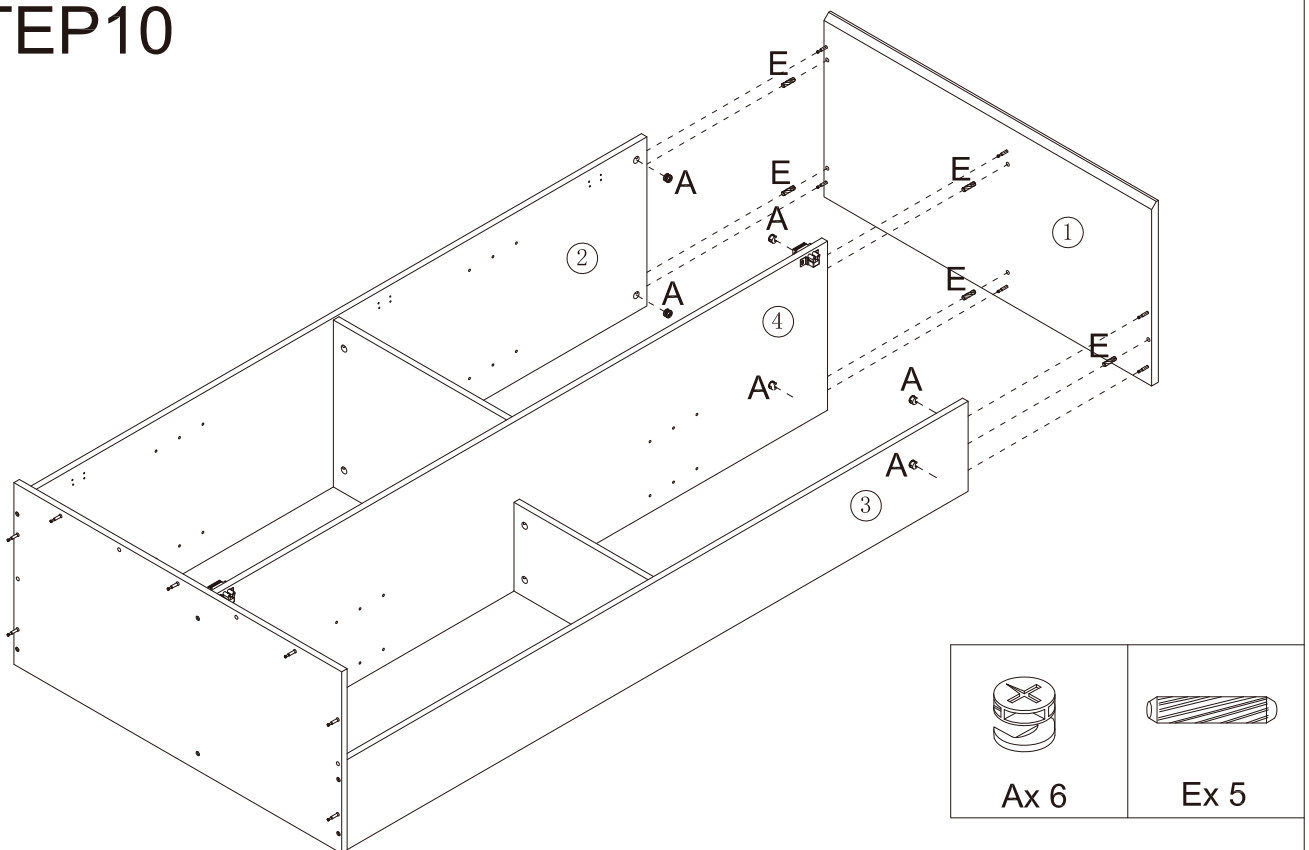
- A. On the Middle Panel (4) insert Wood Dowel (E) into the inner holes between the cam-bolts and attach Small Shelf (11) to (4) via the cam-bolt and wood dowel.
- B. Insert Cam-lock (A) into designated holes on (11) then turn clockwise to lock onto cam-bolt.
- C. Use the above procedures to install to Right Panel (3) to (6).

STEP9



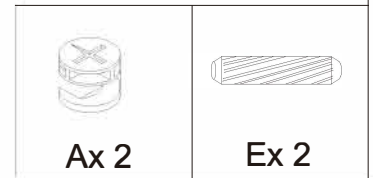
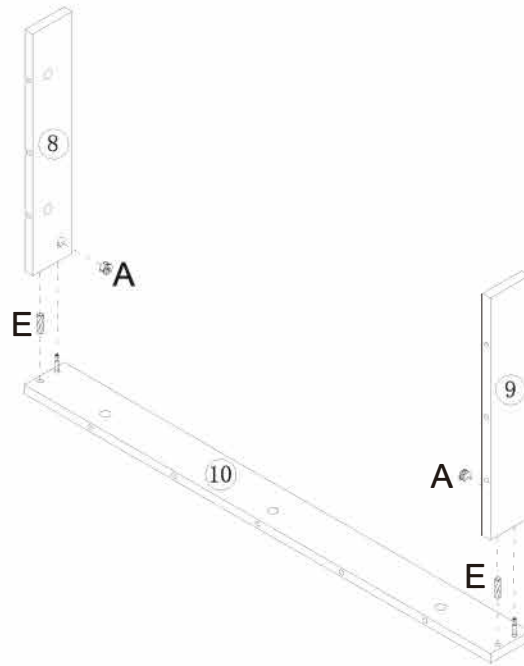
- Insert Wood Dowel (E) into the inner 2 holes on the bottom edge of Left, Middle & Right Panel (2, 4 & 3) and attach Bottom Panel (12) from STEP (4) as shown.
- Use Screw (J) to fasten (12) to (2, 4 & 3).

STEP10



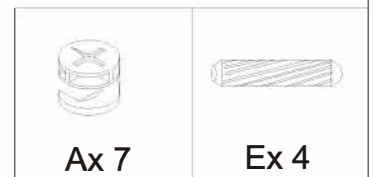
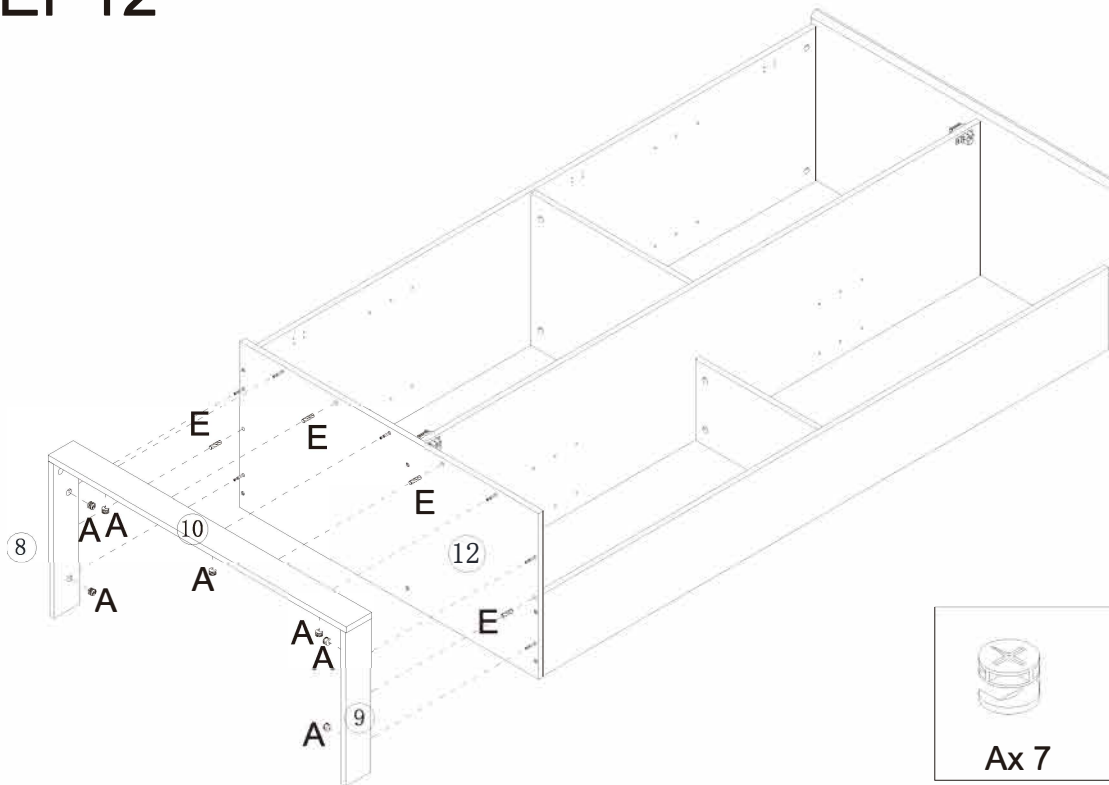
- Insert Wood Dowel (E) into the inner holes on the top edge of Left Middle and Right Panel (2, 4 & 3) and attach Top Panel (1) from STEP 1 as shown.
- Insert Cam-lock (A) into designated holes on (2, 4 & 3) then turn clockwise to lock onto cam-bolt.

STEP11



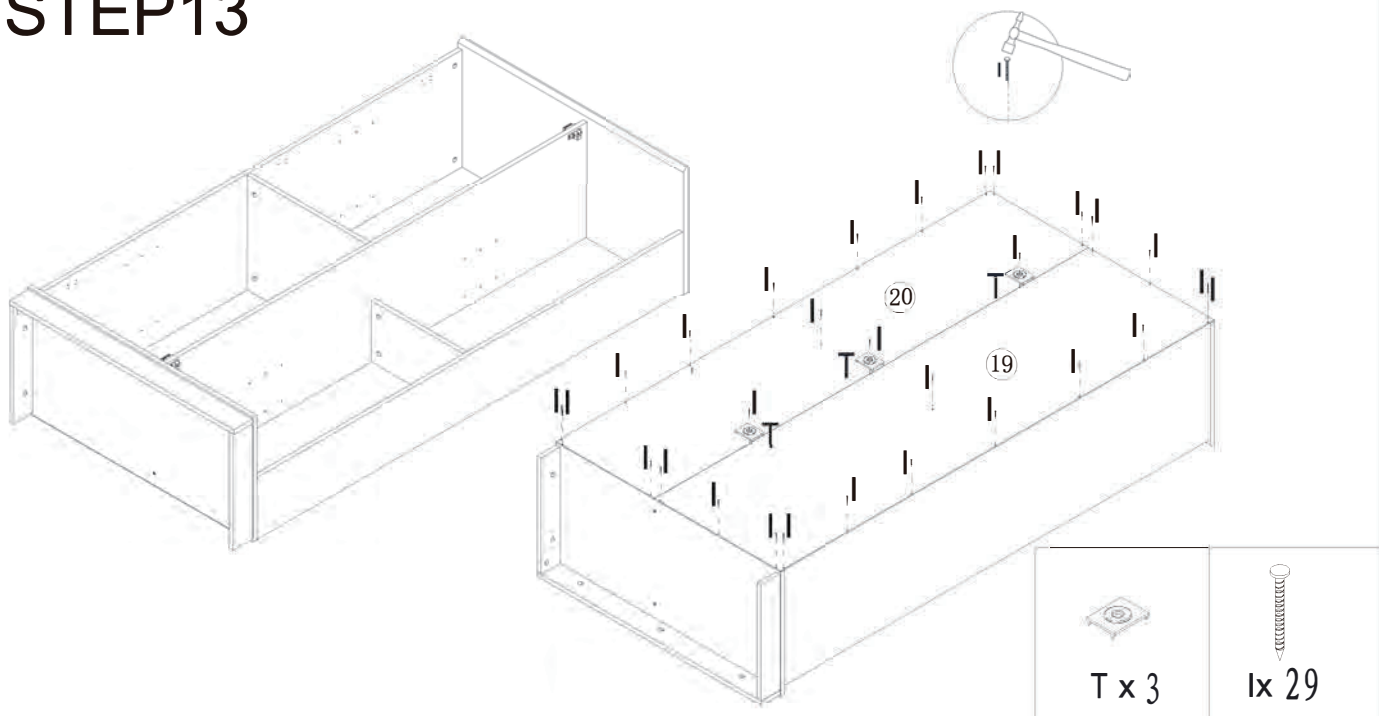
- A. On the Base Front Panel (10) from STEP 4, insert Wood Dowel (E) into the designated hole beside the cam-bolt and attach Base Left Panel and Base Right Panel (8 & 9).
- B. Insert Cam-lock (A) into designated holes on (8 & 9) then turn clockwise to lock onto cam-bolt.

STEP12



- A. Insert Wood Dowel (E) into the designated holes on Bottom Panel (12) as shown and attach the Bottom Base assembly from STEP 11.
- B. Insert Cam-lock (A) into designated holes on (8 , 10 & 9) then turn clockwise to lock onto cam-bolt.

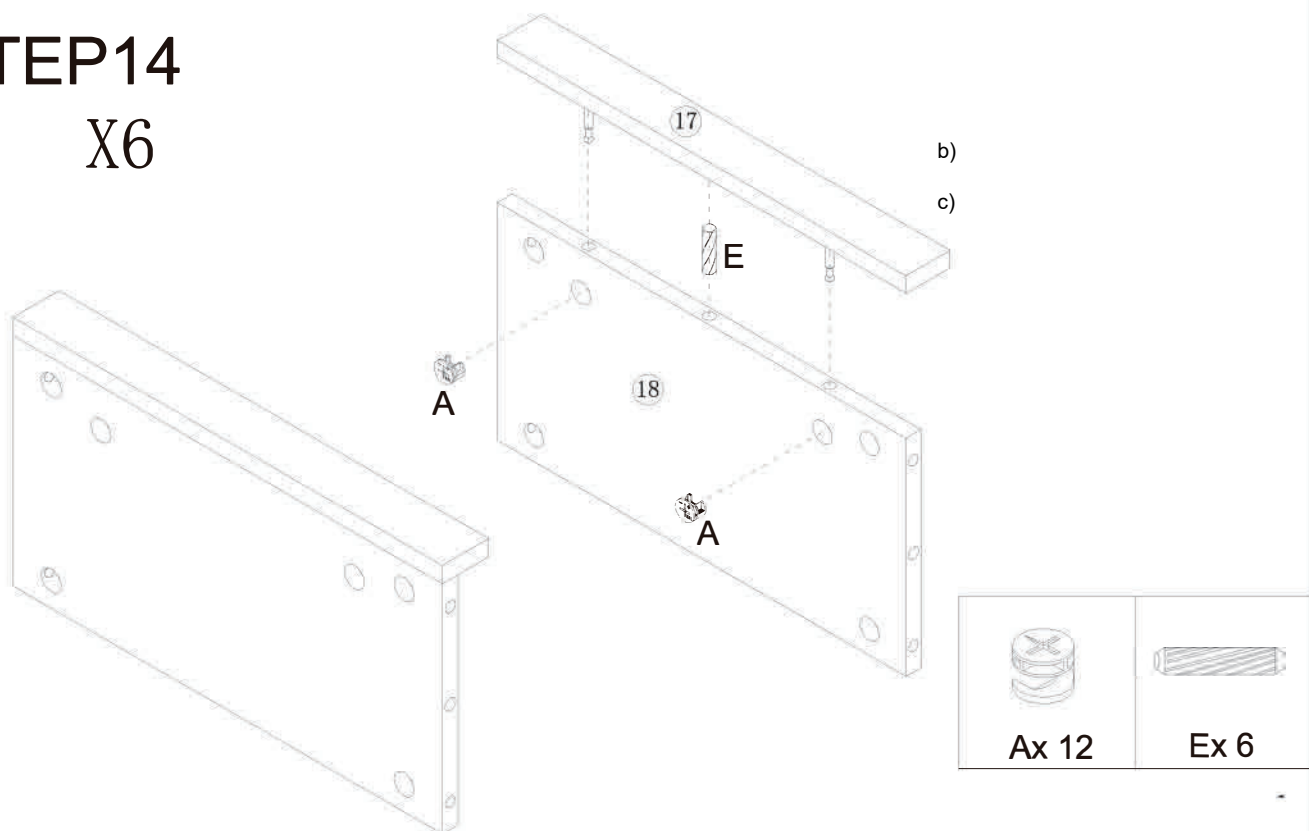
STEP13



- With assistance lay assembly from STEP 12 as shown on a material that does not scratch the product.
- Fit Back Panel (19 & 20) to the side, top and bottom panel and fasten with Nail (I).
- Position Back Support Plates (T) as shown and fasten with Nail (I).

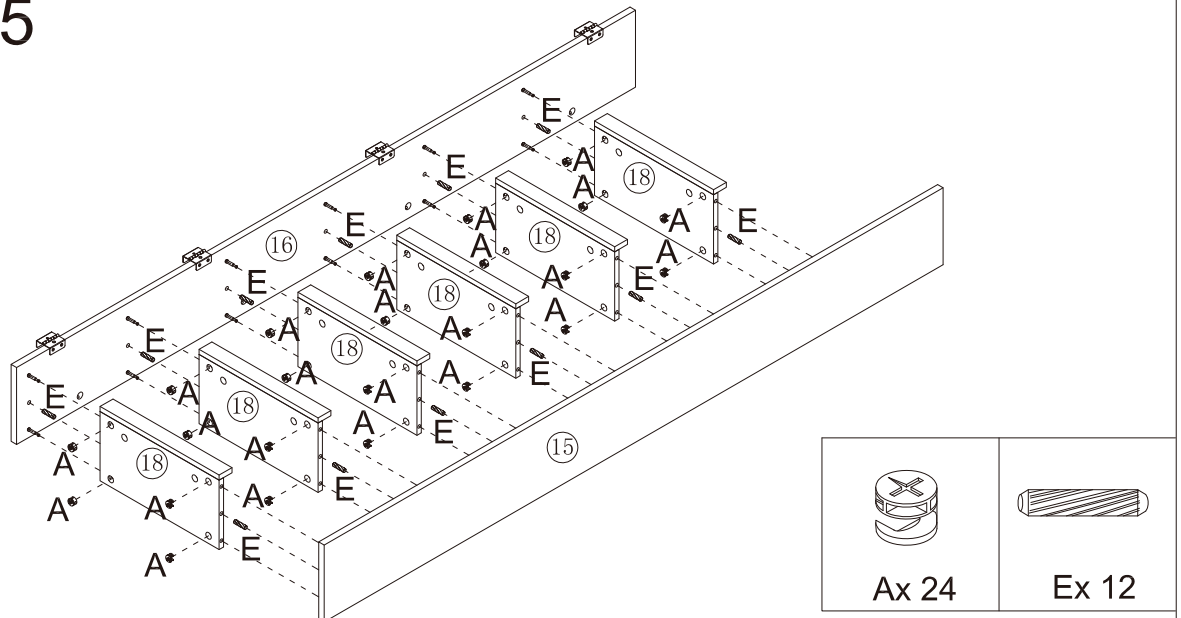
STEP14

X6



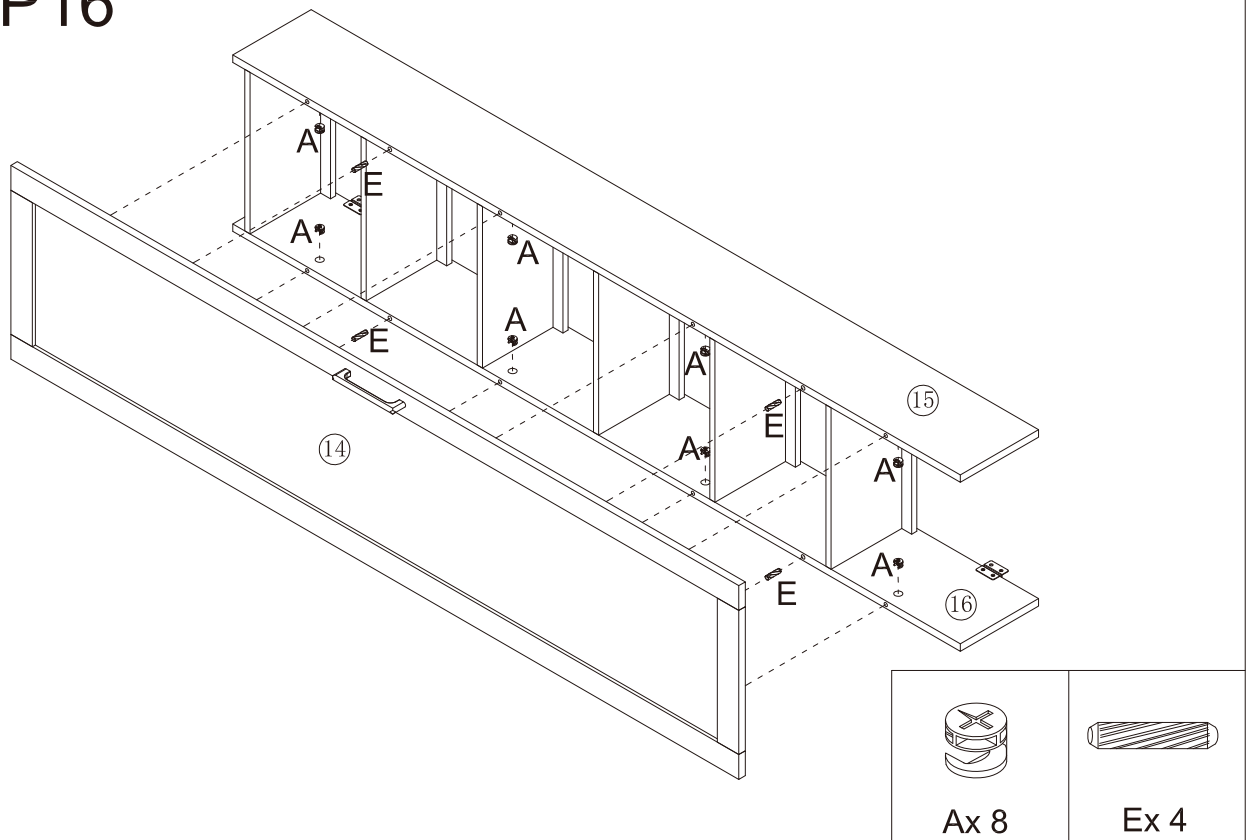
- Insert Wood Dowel (E) into the middle hold on the top edge of Shelf (18) as shown.
- Attach Shelf Back (17) from STEP 6 to Shelf (18) via cam-bolt and wood dowel on the respective parts.
- Insert Cam-lock (A) into designated holes on (18) then turn clockwise to lock onto cam-bolt.

STEP 15



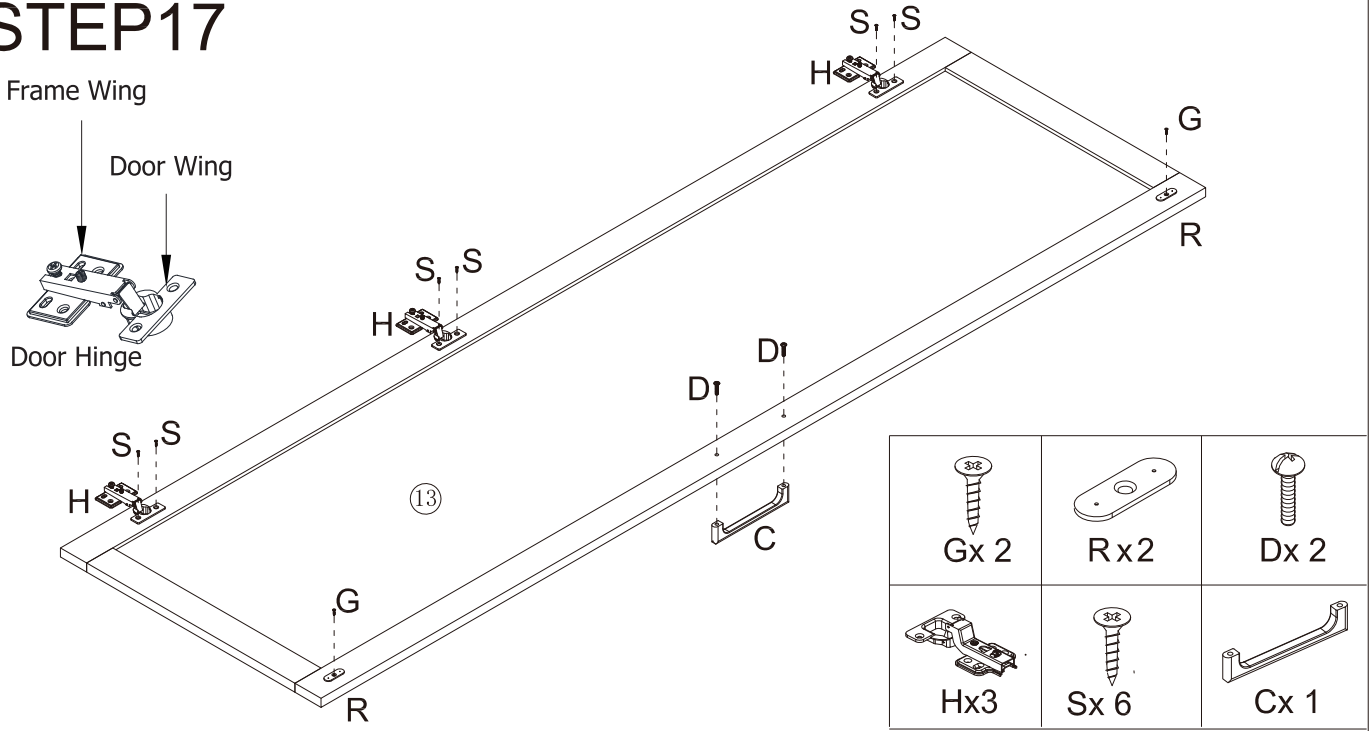
- A. Lay the parts as shown and on the Left Vertical Shelf Panel (16) insert Wood Dowel (E) into the middle hole between the cam-bolts.
- B. Attach Shelf (18) from STEP 14 to (16) via the cam-bolt and wood dowel.
- C. Insert Cam-lock (A) into designated holes on (18) then turn clockwise to lock onto cam-bolt.
- D. Use the above procedures to install to Right Vertical Panel (15) to (18).

STEP 16



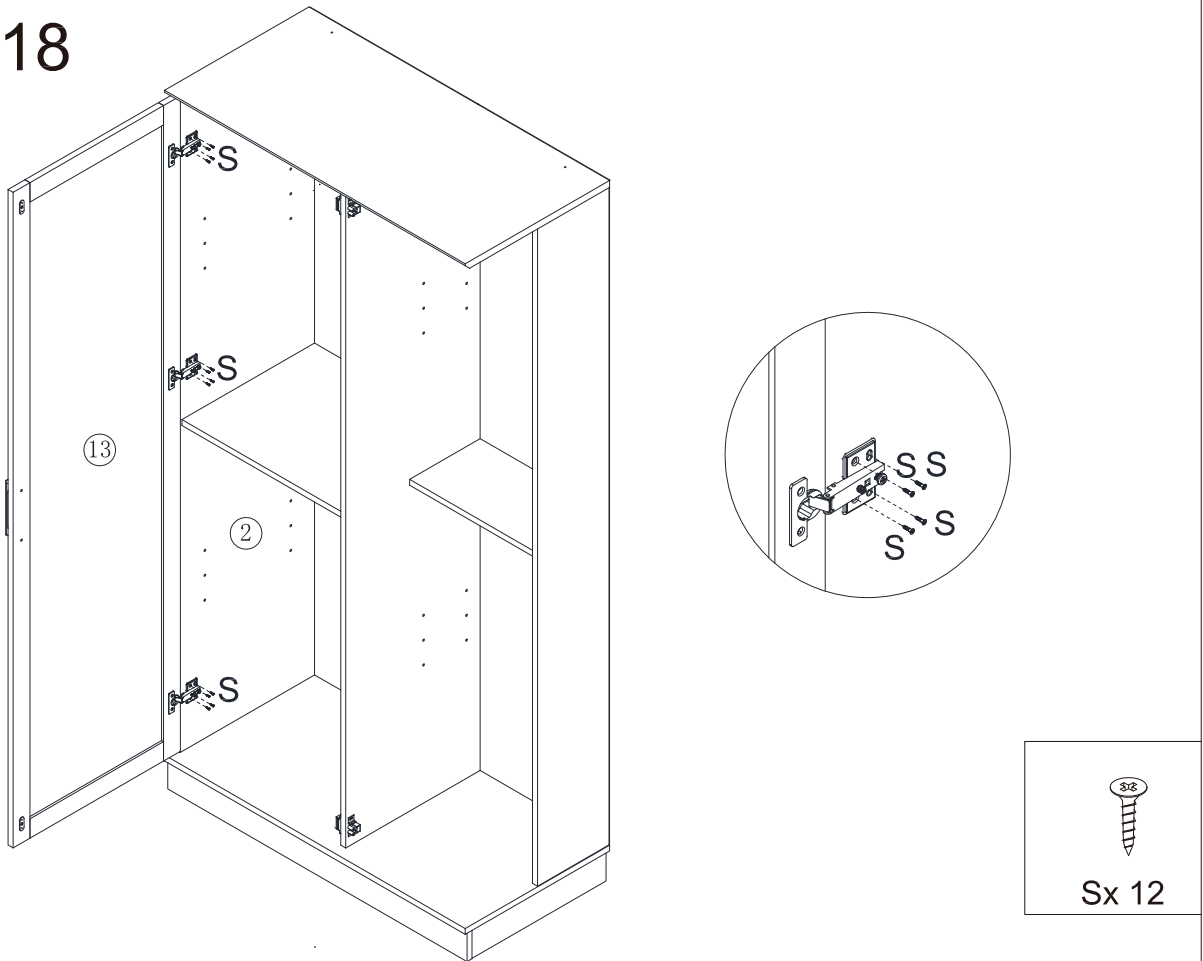
- A. With assistance, lay the shelf assembly from STEP 15 as shown and insert Wood Dowel (E) into the designated holes on Right & Left Vertical Shelf Panel (15 & 16).
- B. Attach Right Door (14) from STEP 5 to shelf assembly via cam-bolt and wood dowel on the respective parts.
- C. Insert Cam-lock (A) into designated holes on (15 & 16) then turn clockwise to lock onto cam-bolt..

STEP 17



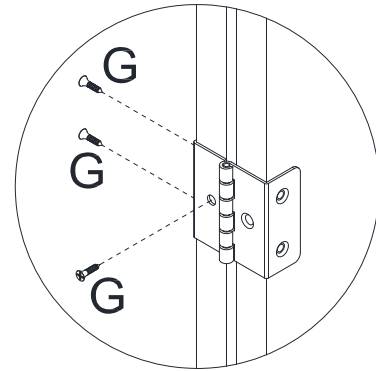
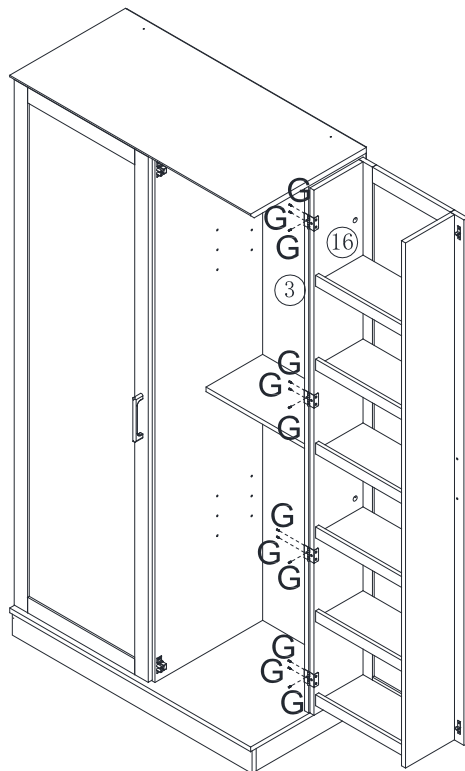
- A. Lay Left Door (13) with the interior side facing up as shown on a material that does not scratch or damage the front surface and place Hinge (H) to fit the cup on the Door Wing into the hinge well on (10). Use Screw (S) to fasten Door Wing.
- B. Use Handle Bolt (D) to affix Handle (C) to (13) and Screw (G) to affix Metal Plate (R).

STEP 18



- A. With assistance, position Left Door (13) as shown.
- B. Align the screw holes on the frame wing of the Hinge (H) to the pilot holes on Left Panel (2) and fasten with Screw (S).

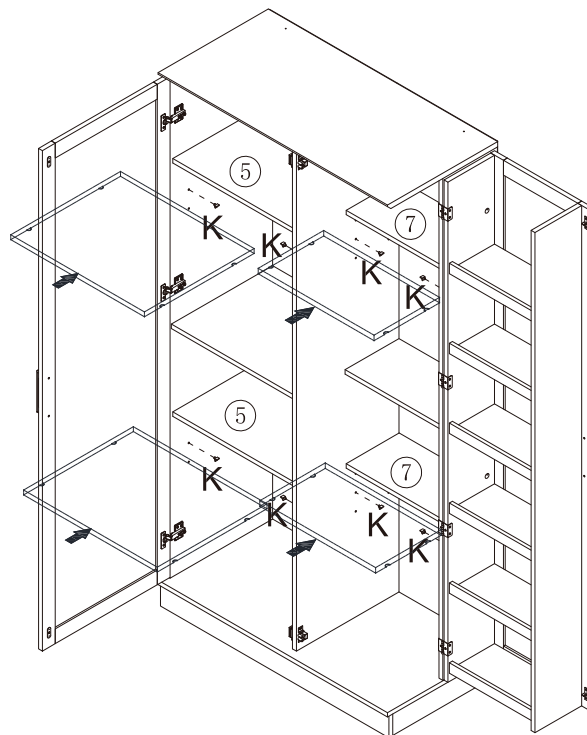
STEP19



Gx 12

- A. With assistance, position Right Door-Shelf Assembly from STEP 16 as shown and align Left Vertical Shelf Panel to Right Panel (3). Check that the screw holes on Door Hinge (Q) are align to the pilot holes on (3).
- B. Use Screw (G) to fasten (Q) to (3). Do not fasten (G) completely until all of the screws are in place.

STEP20



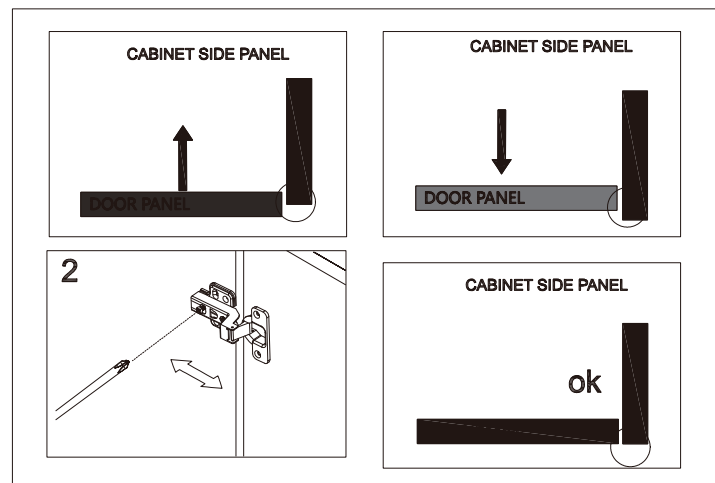
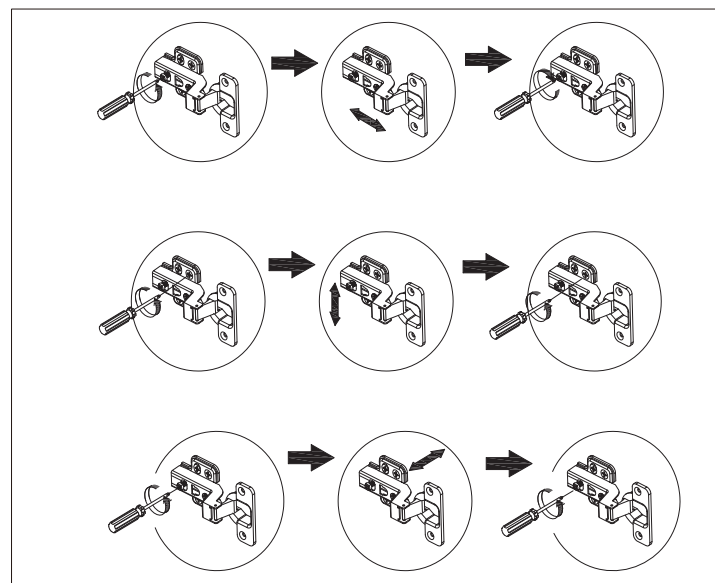
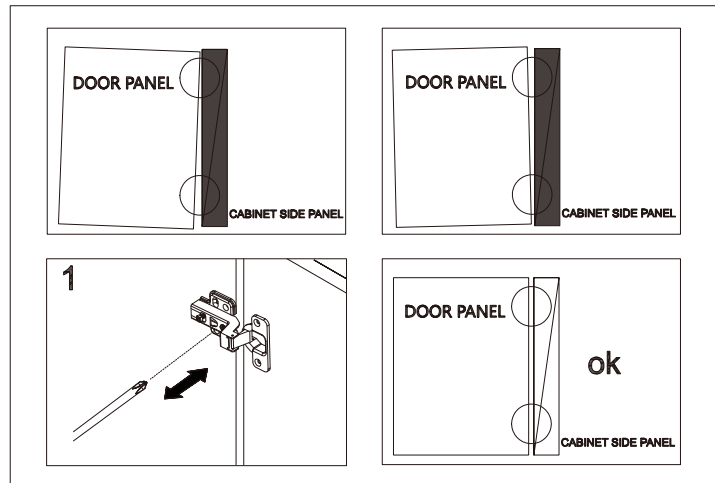
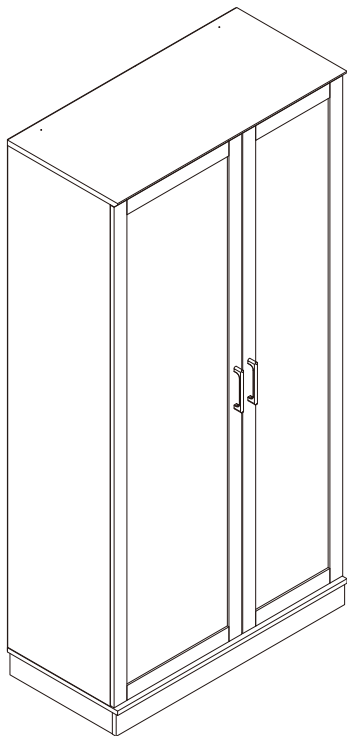
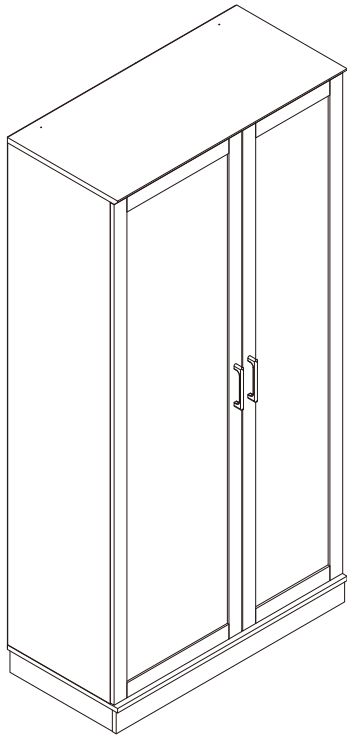
- A. Insert Shelf Pin (K) into the designated holes on the same level at the desired height on the side and middle panels .
- B. Place Shelf (5 & 7) by tilting it to fit between the side and middle panels and then level it to sit on (K).



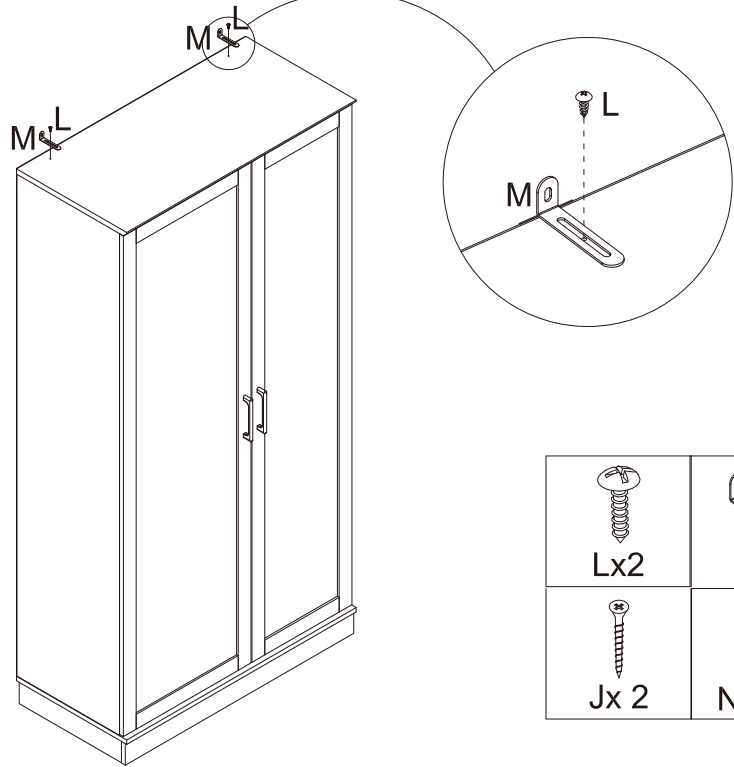
Kx16

STEP21

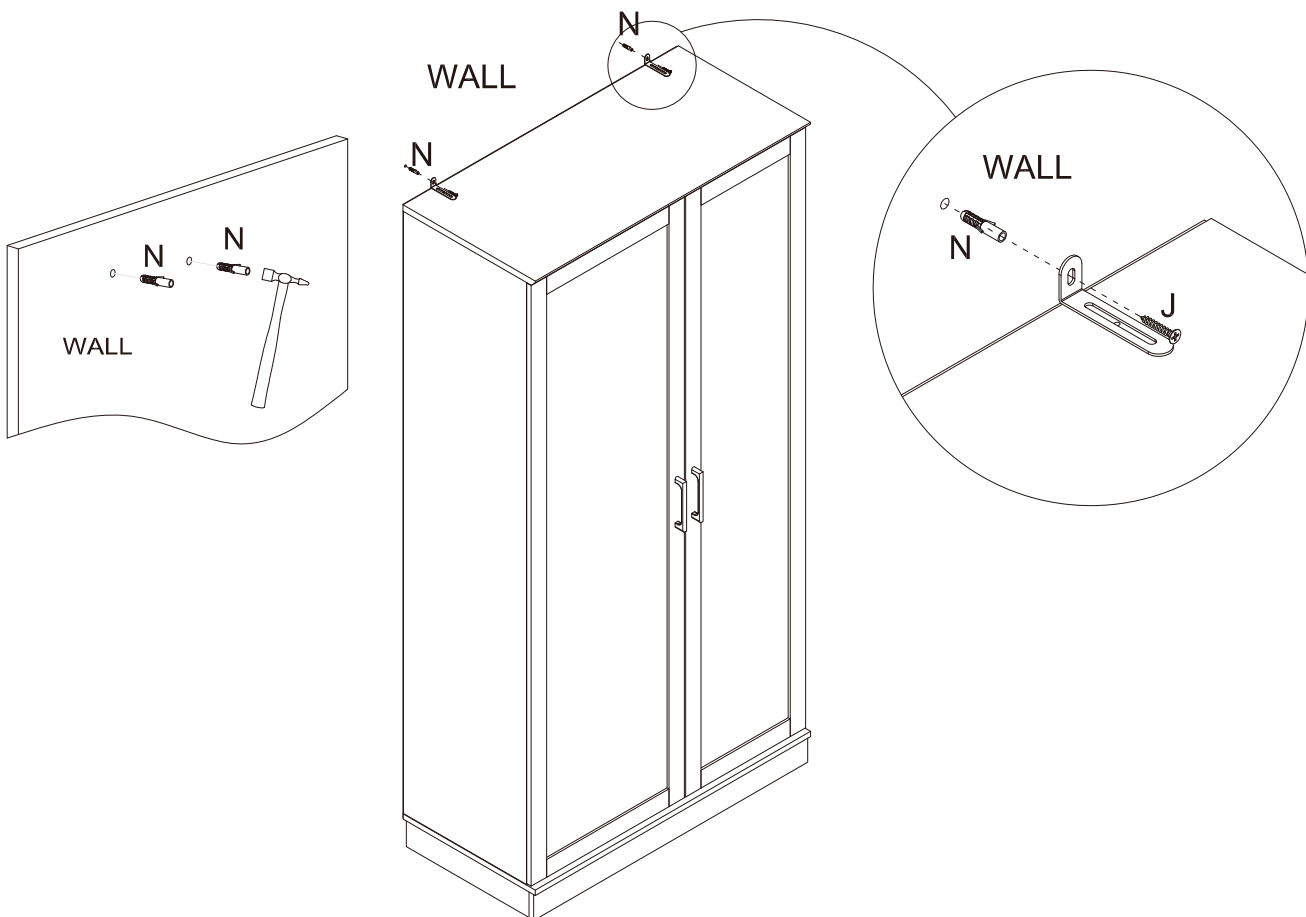
INSTRUCTIONS FOR DOOR ADJUSTMENTS



STEP22



A. Use Screw (L) to fasten (M) to Top Panel.



B. Select the location to place the cabinet.

C. Drill a hole in the dry wall as per the length and diameter of Plastic Anchor (N) and the hole has to be at the same level as the screw hole on Bracket (M) on the Top Panel.

D. Press Plastic Wall Anchor (N) into the drilled hole. Ensure that the anchor fits securely in the wall.

E. Drive Screw (J) through the screw hole on (M) into the screw hole on (N) to secure the cabinet to the wall.

The assembly of the cabinet is complete.