

ASSEMBLY INSTRUCTION

Thank you for purchasing this quality product. Be sure to check all packing material carefully for small parts which may have come loose inside the carton during shipment. Separate, identify and count all parts and hardware. Compare with the parts list to be sure all parts are present.

IMPORTANT : PLEASE READ INSTRUCTION BEFORE STARTING THE ASSEMBLY.

"DO NOT TIGHTEN SCREWS UNTIL COMPLETELY ASSEMBLED"

"DO NOT OVERTIGHT ANY HARDWARE"

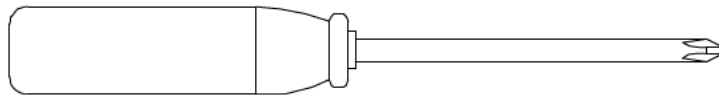
WARNING : SMALL PARTS AND HARDWARE NOT FOR CHILDREN UNDER 3 YEARS. ADULT ASSEMBLY REQUIRED.

TABLE OF CONTENTS

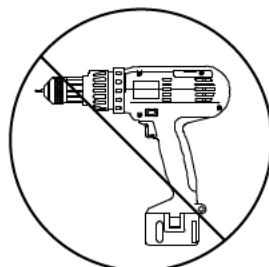
HARDWARES LIST	PAGE 2
PARTS LIST	PAGE 3 - 4
PARTS' LOCATION	PAGE 5
ASSEMBLY STEPS	PAGE 6 - 9
ASSEMBLY COMPLETED	PAGE 10

ASSEMBLY TOOLS REQUIRED

1. Screwdriver (not provide)

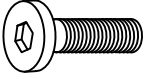
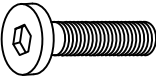
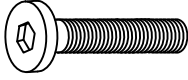
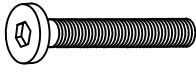







Skip the power trip this time.




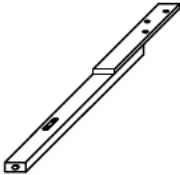
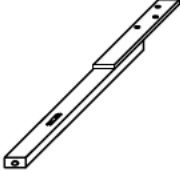

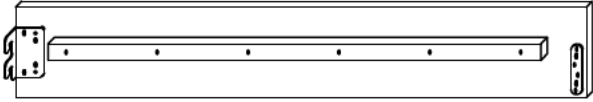
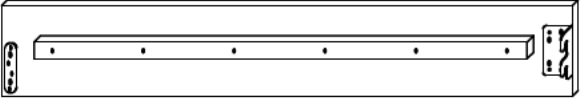
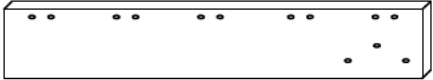
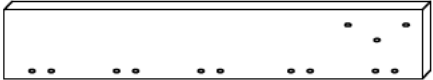
ASSEMBLY INSTRUCTION

HARDWARES LIST

ITEM	DESCRIPTION	DRAWING	QTY
A	JCBB SCREW M8 x 20MM		8 PCS
B	JCBB SCREW M8 x 25MM		8 PCS
C	JCBB SCREW M8 x 35MM		44 PCS
D	JCBC SCREW M6 x 35MM		8 PCS
E	SPRING WASHER M8 x 14MM		52 PCS
F	FLAT WASHER M8 x 22MM		52 PCS
G	CSK C/B SCREW (M4 x 32MM)		8 PCS
H	M4 ALLEN KEY (65MM)		1 PC
I	M5 ALLEN KEY (65MM)		1 PC

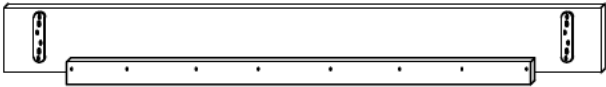

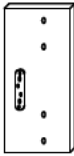

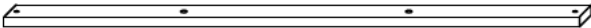

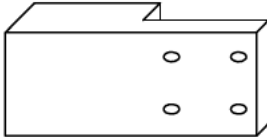
ASSEMBLY INSTRUCTION

PARTS LIST

ITEM	DESCRIPTION	DRAWING	QTY
1	HEADBOARD PANEL		5 PCS
2	HEADBOARD SUPPORT RAIL(R)		1 PC
3	HEADBOARD SUPPORT RAIL(L)		1 PC
4	CENTRE HEADBOARD SUPPORT		1 PC
5	SIDE RAIL (i)		2 PCS
6	SIDE RAIL (ii)		2 PCS
7	LEFT HEADBOARD SUPPORT		1 PC
8	RIGHT HEADBOARD SUPPORT		1 PC

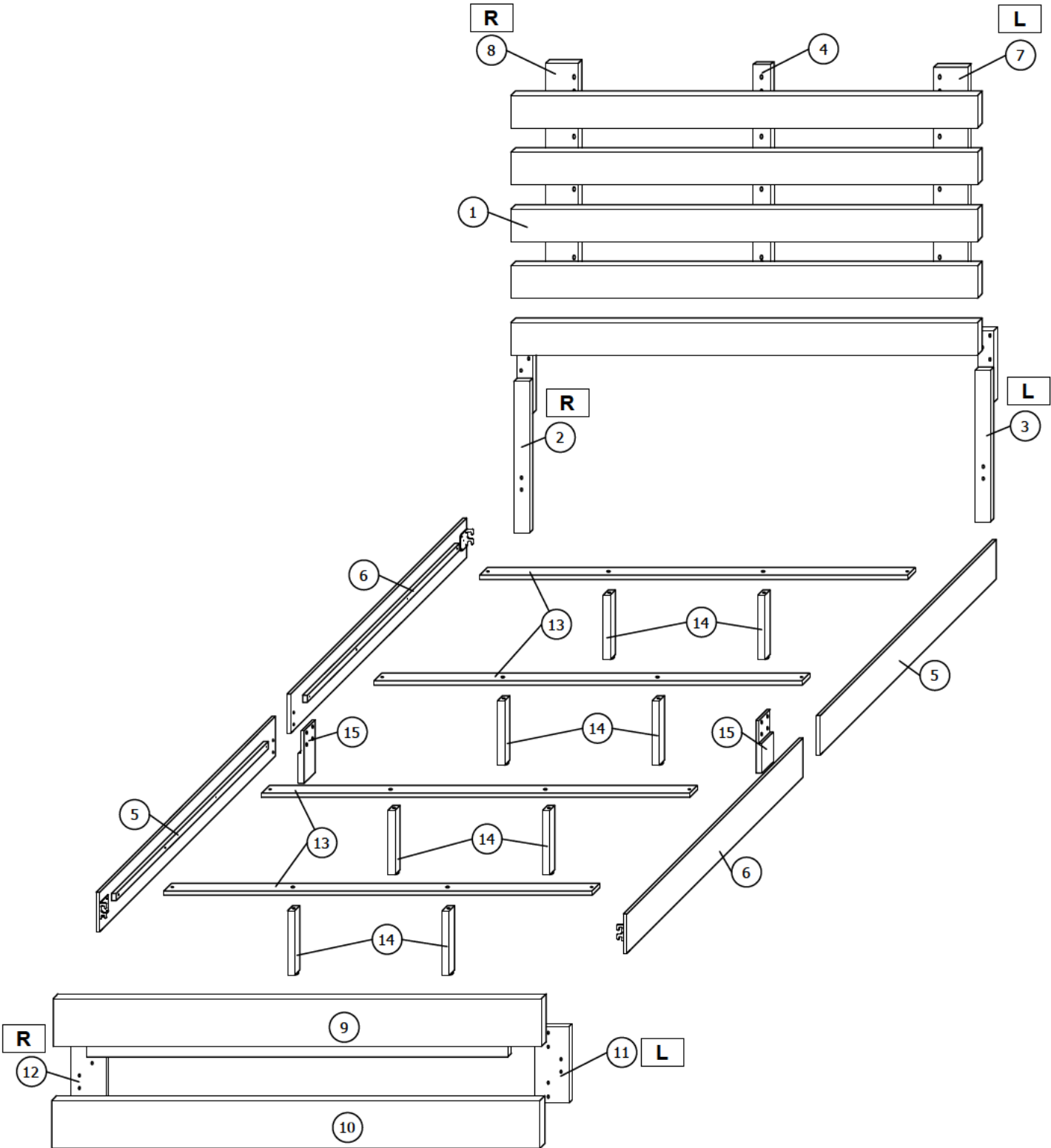
ASSEMBLY INSTRUCTION

PARTS LIST

ITEM	DESCRIPTION	DRAWING	QTY
9	UPPER FOOTBOARD PANEL		1 PC
10	LOWER FOOTBOARD PANEL		1 PC
11	LEFT FOOTBOARD SUPPORT		1 PC
12	RIGHT FOOTBOARD SUPPORT		1 PC
13	SLAT		4 PCS
14	CENTRE SUPPORT LEG		8 PCS
15	SIDE RAIL SUPPORT LEG		2 PCS

ASSEMBLY INSTRUCTION

PARTS ' LOCATION

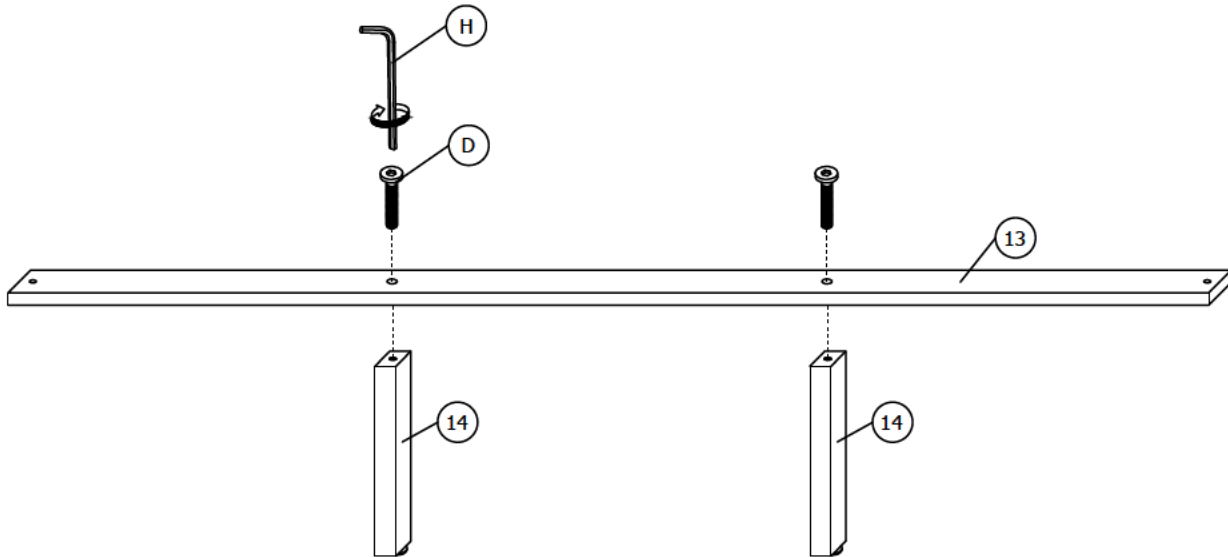


ASSEMBLY INSTRUCTION

ASSEMBLY STEPS

STEP 1

Insert 2 pieces JCBC SCREW (D) to combine 1 piece SLAT (13) and 2 pieces CENTRE SUPPORT LEG (14) as shown. This step needs to be done four times.

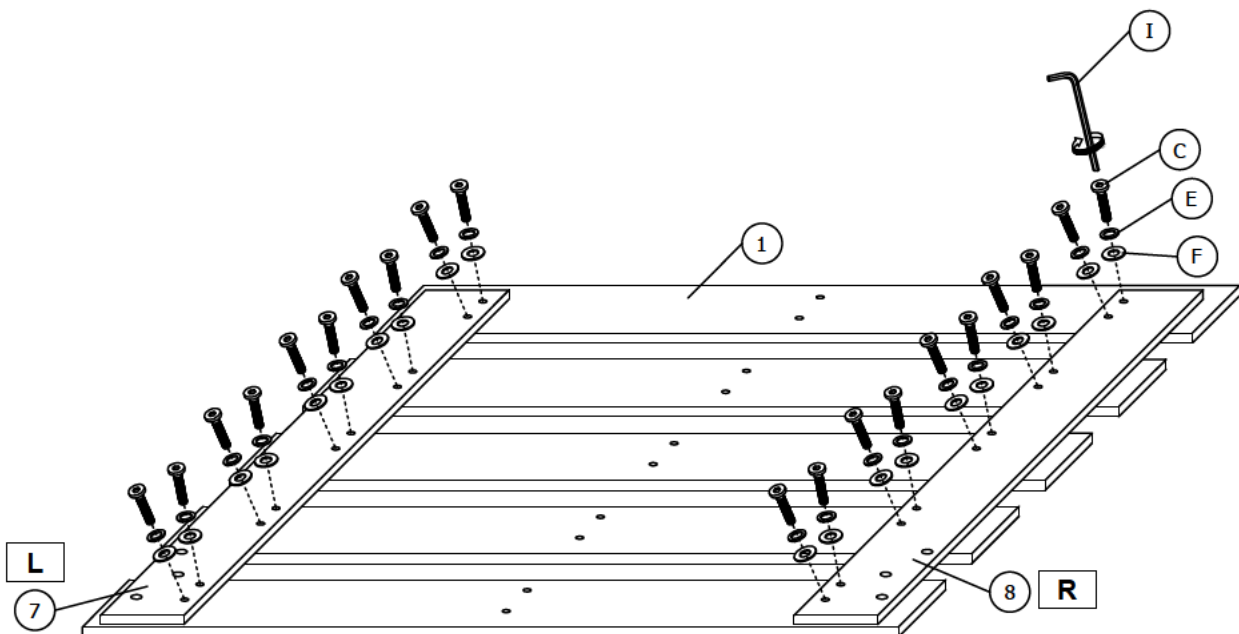


Assembled become like this



STEP 2

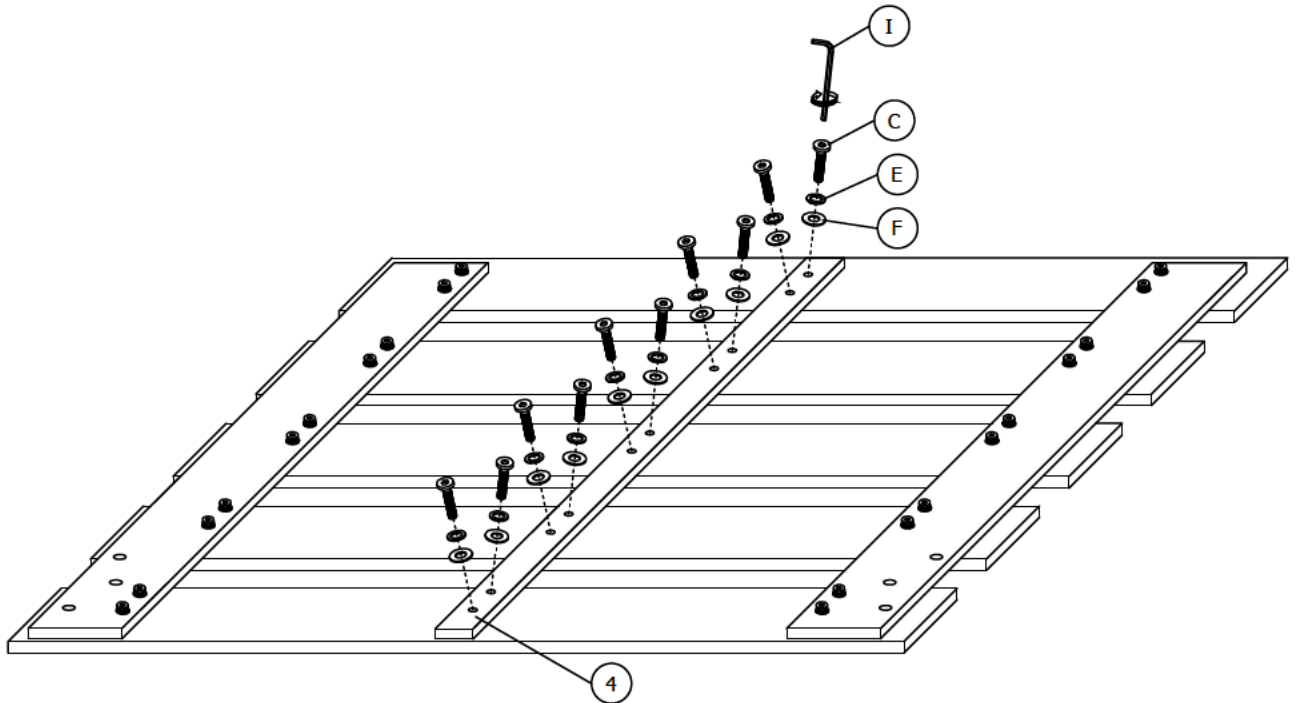
Align the position of hole then insert 20 pieces JCBC SCREWS, FLAT and SPRING WASHERS (C),(E) and (F) to combine the LEFT and RIGHT HEADBOARD SUPPORT (7)&(8) to the HEADBOARD PANELS(1).



ASSEMBLY INSTRUCTION

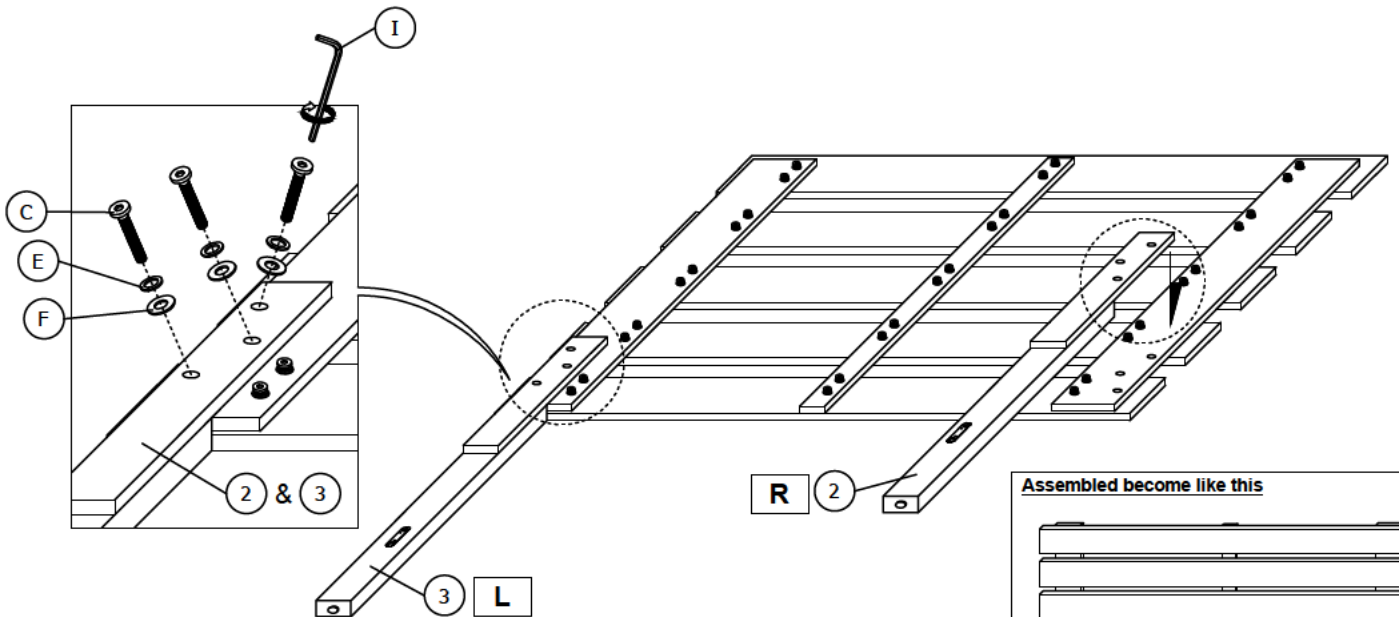
STEP 3

Align the position of hole then insert the JCBC SCREWS, FLAT and SPRING WASHERS (C),(E) and (F) to combine the CENTRE HEADBOARD SUPPORT(4) to the HEADBOARD PANELS(1).

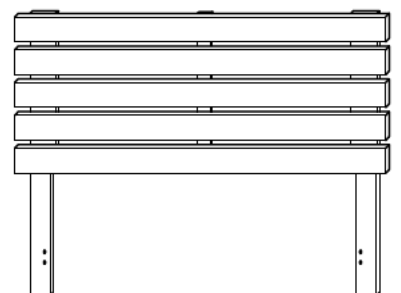


STEP 4

Align the position of hole then use insert 6 pieces JCBC SCREWS,FLAT and SPRING WASHERS(C),(E) and (F) to combine the LEFT and RIGHT HEADBOARD LEG(2)&(3) to the HEADBOARD (assembled in step 1 to 3).



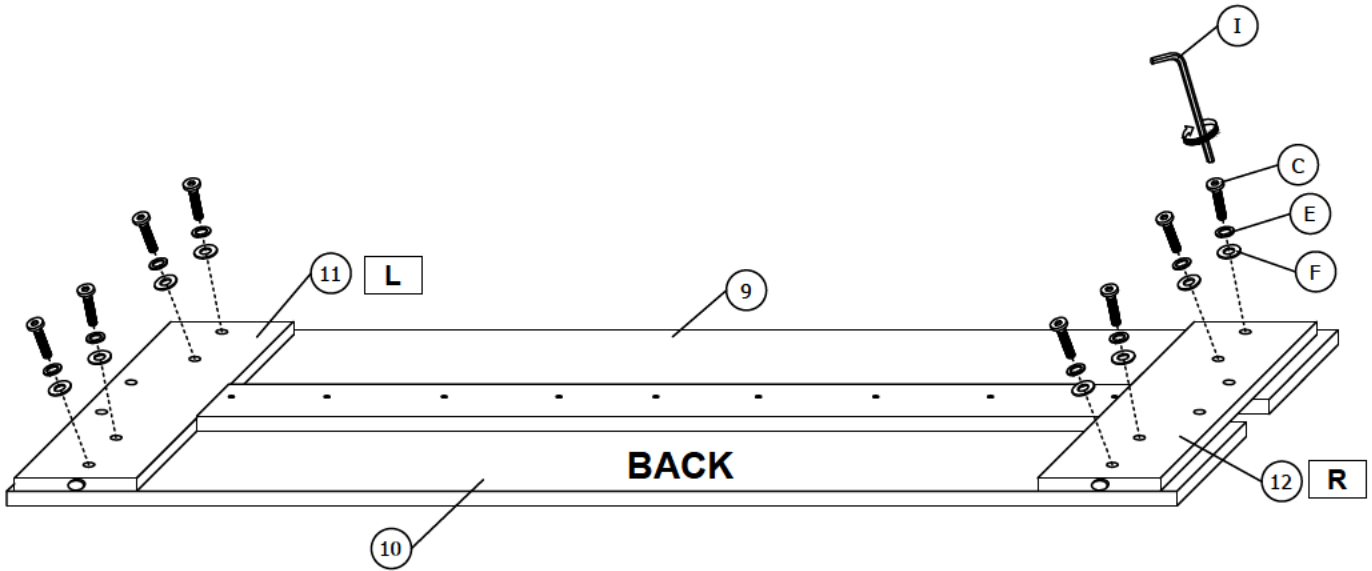
Assembled become like this



ASSEMBLY INSTRUCTION

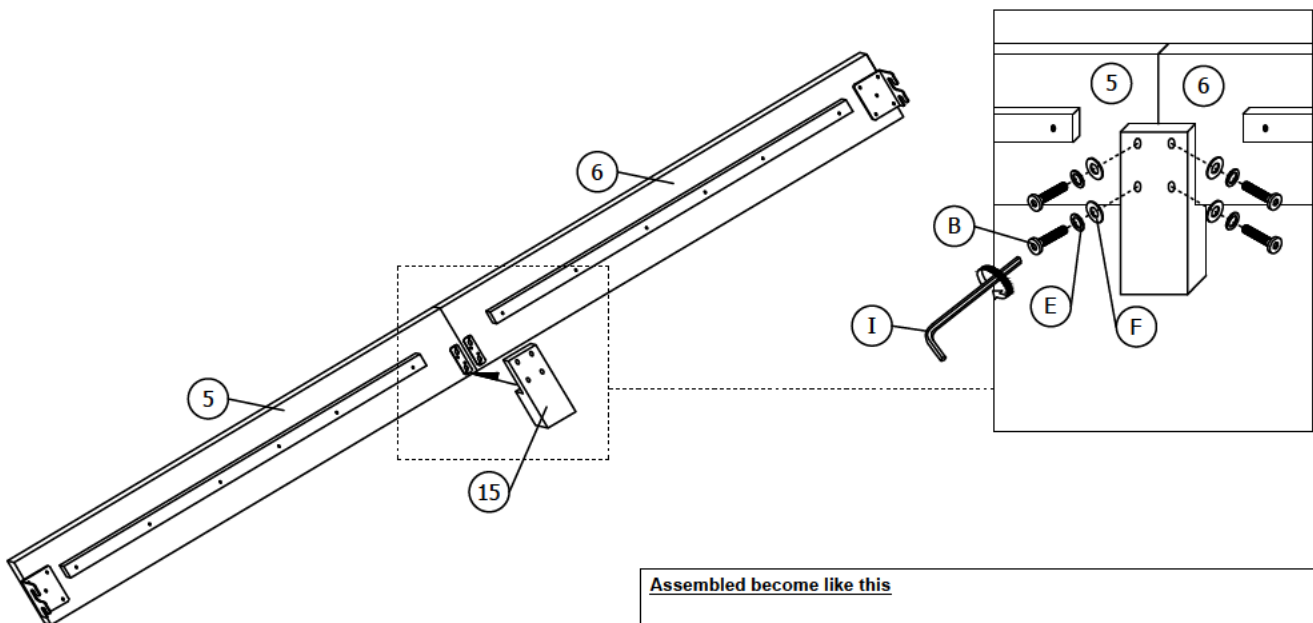
STEP 5

Align the position of hole then insert 8 pieces JCBC SCREWS,FLAT and SPRING WAHERS (C),(E) and (F) to combine the LEFT and RIGHT FOOTBOARD SUPPORT(11)&(12) to the UPPER and LOWER FOOTBOARD PANEL(9)&(10).

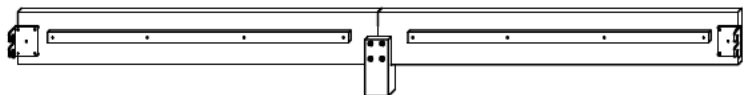


STEP 6

Align the position of hole then insert 4 pieces JCBB SCREW ,FLAT and SPRING WASHERS(B),(E) and (F) to combine 1 piece SIDE RAIL SUPPORT LEG (15) to 1 piece SIDE RAIL(i) and (ii)- (5)&(6) as shown. This step needs to be **done twice**.



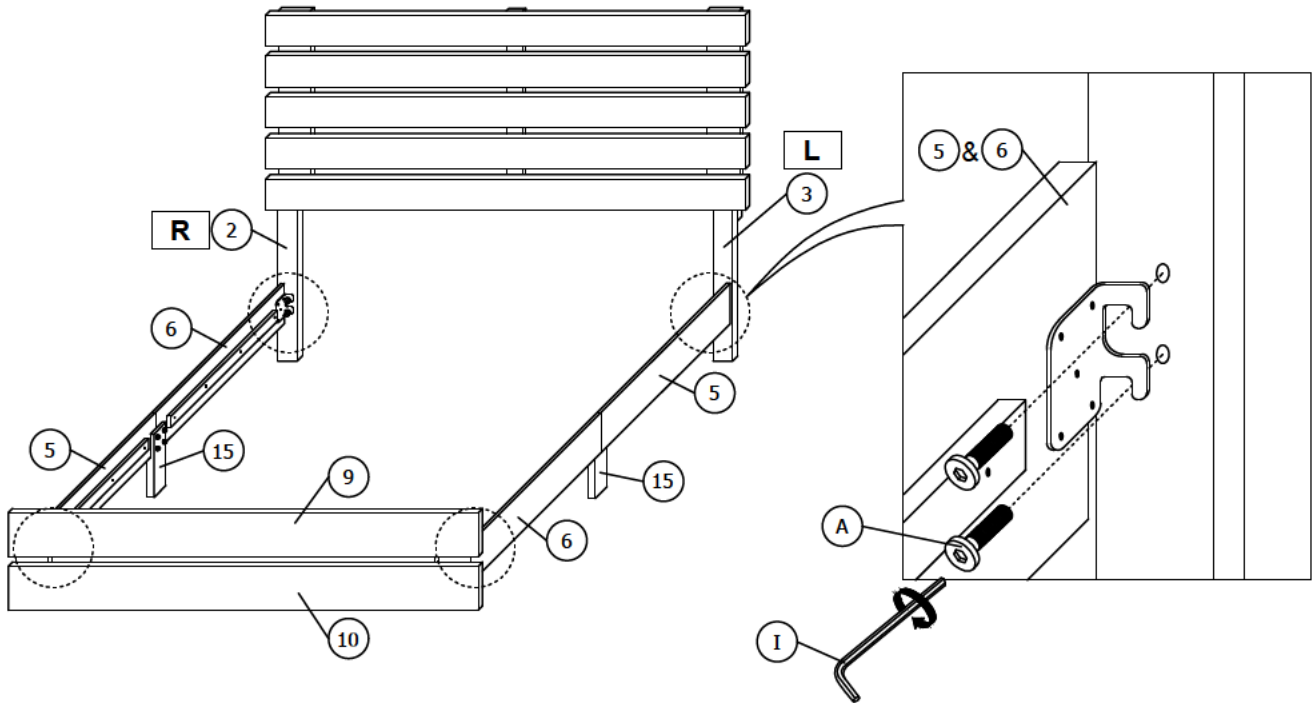
Assembled become like this



ASSEMBLY INSTRUCTION

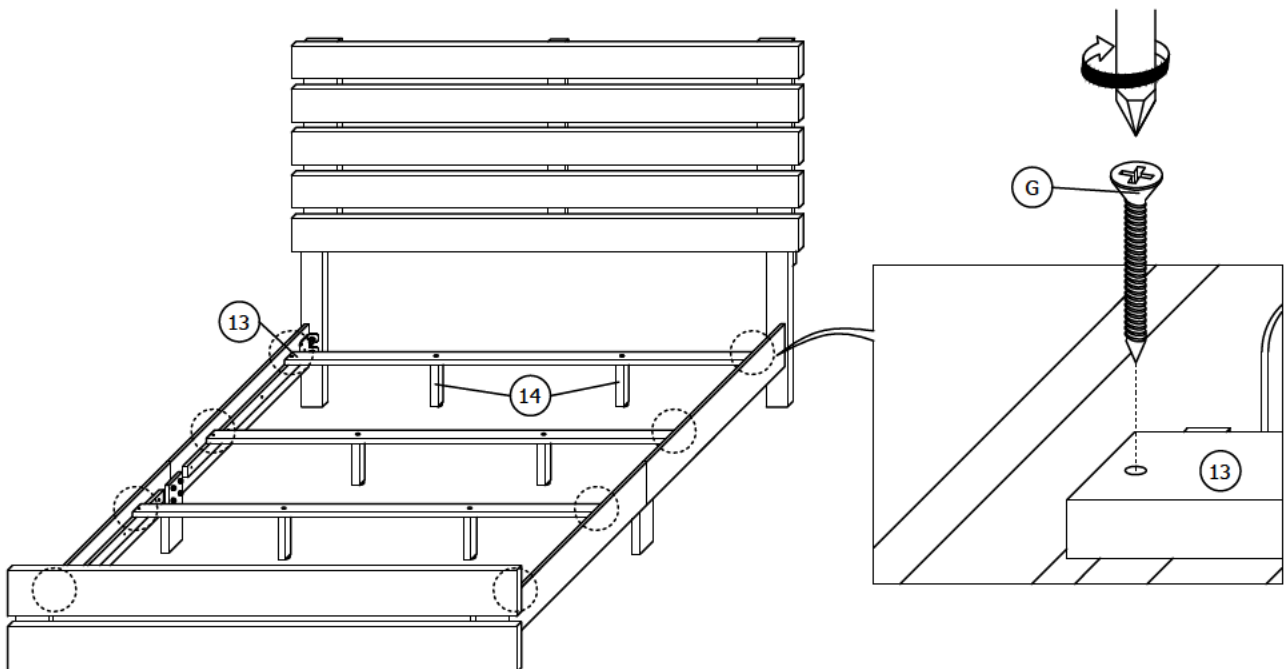
STEP 7

Insert the 8 pieces JCBB SCREW (A) to combine the SIDE RAILS(i) and (ii)-(5)&(6) to the LEFT and RIGHT HAEDBOARD SUPPORT(2)&(3) and the FOOTBOARD as shown.



STEP 8

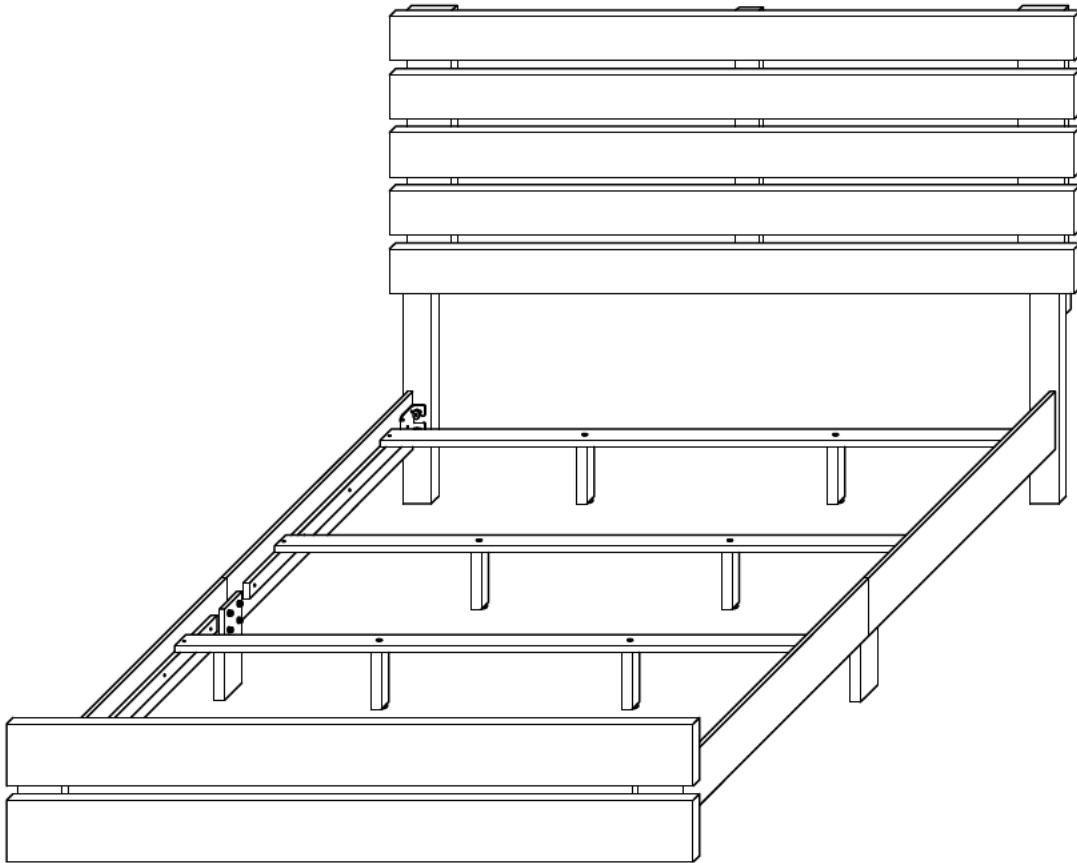
Put the 4 pieces SLAT (13)-(combined with CENTRE SUPPORT LEG(14) in step 1) on the wood of SIDE RAILS(i) and (ii)-(5)&(6). Then insert 8 pieces CSK C/B SCREW (G) to fix as shown.



ASSEMBLY COMPLETED

ASSEMBLY INSTRUCTION

STEP 9

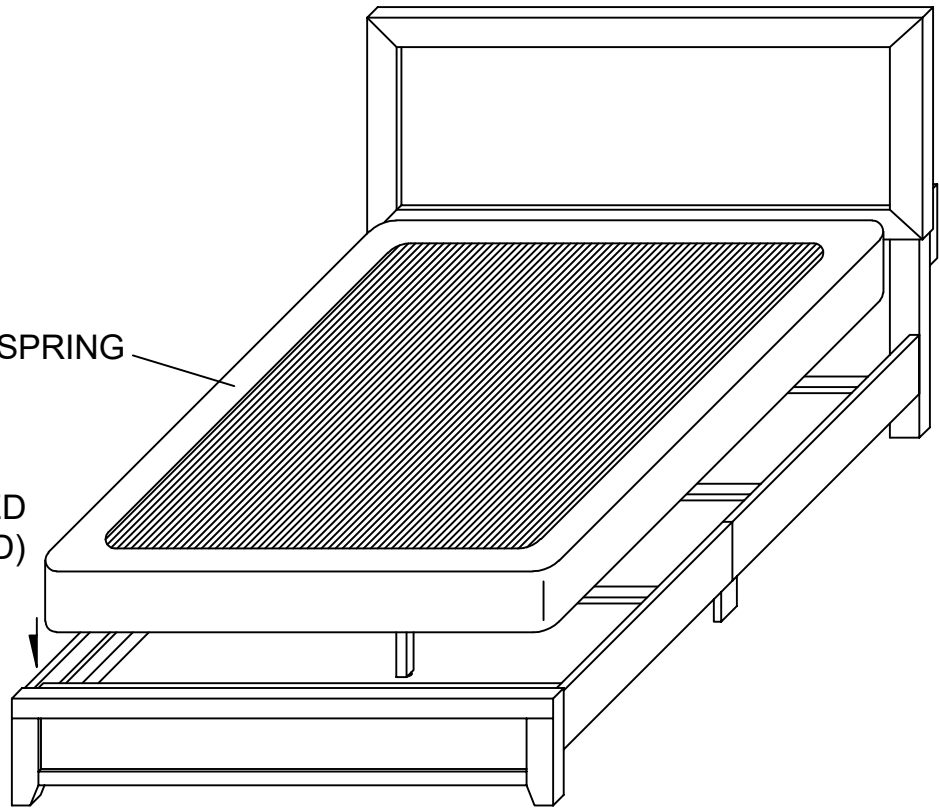


ASSEMBLY COMPLETED

** FOR ALL MODEL AND ALL SIZE BED

BOX SPRING

BOX SPRING REQUIRED
(NOT INCLUDED)



MATTRESS
(NOT INCLUDED)

