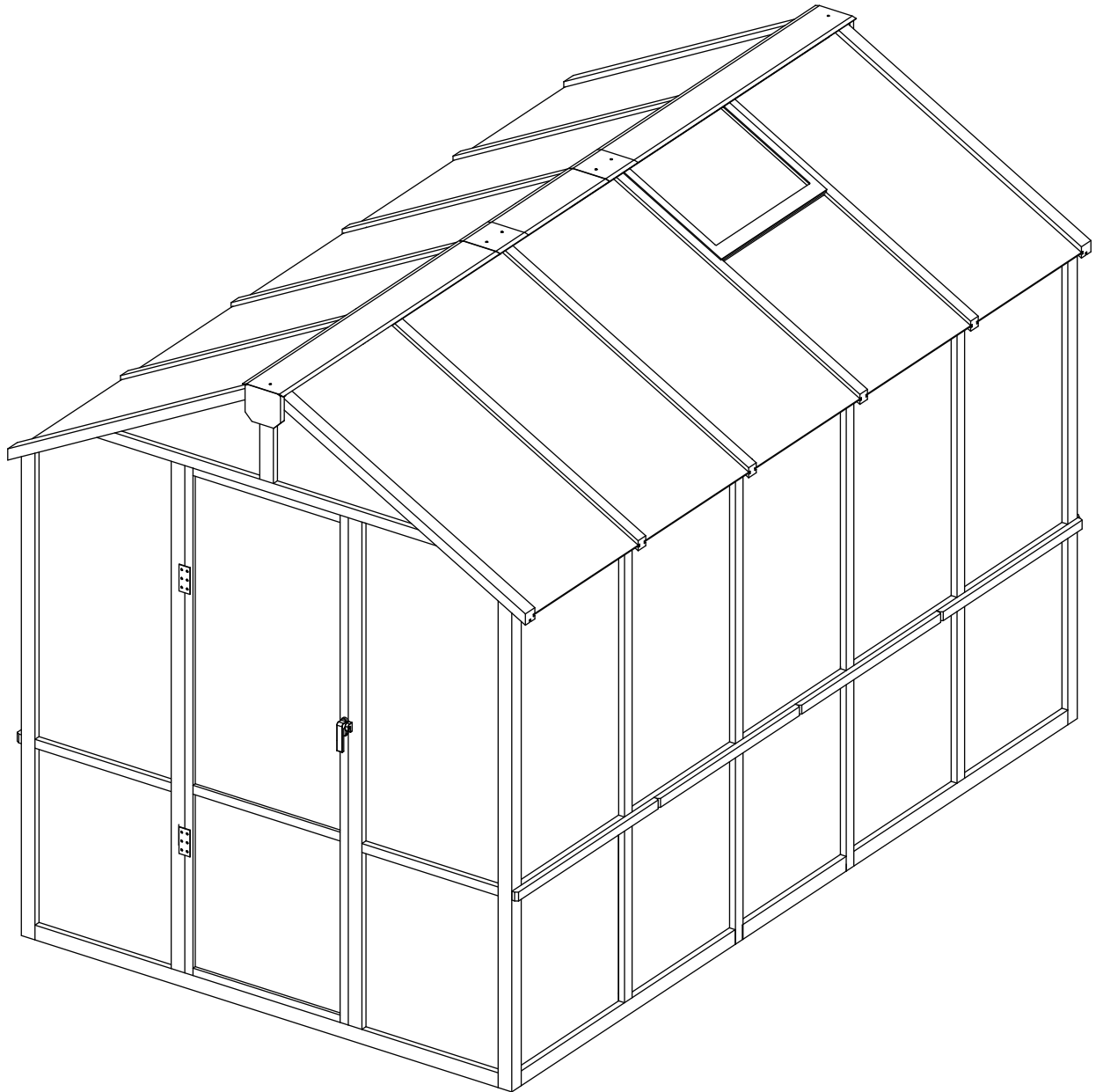


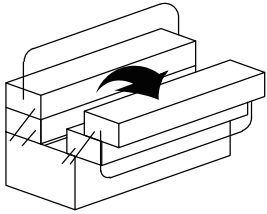
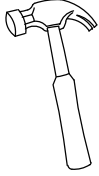




INSTALLATION INSTRUCTIONS

6X10 ft Wooden Greenhouse








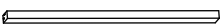




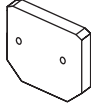
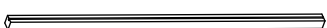




 VIWATCustomerService@gmail.com

Our team is available 24/7 to help with any product questions. Contact us anytime!










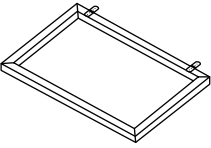
					
Toolbox	Hammer	Glove	Power drill	Tape Measure	Bitbits









Aluminum Parts

No.	Picture	Qty.
A1		x2
A2		x2
A3		x1
A4		x1
A5		x1
A6		x2
A7		x1
A8		x2

No.	Picture	Qty.
A9		x2
A10		x2
A11		x2
A12		x1
A14		x2
A15		x3
A16		x1
A17		x4

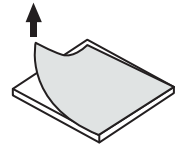
Aluminum Parts


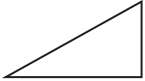
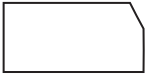

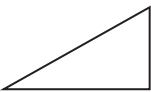

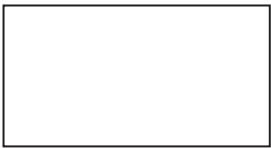


No.	Picture	Qty.
A18		x4
A19		x4
A20		x10
A21		x4
A22		x1
A23		x6
A24		x1
A25		x1
A26		x1
A27		x1

No.	Picture	Qty.
A28		x1
A29		x1
A30		x1
A31		x1
A32		x1
A33		x1
A34		x2
A35		x2

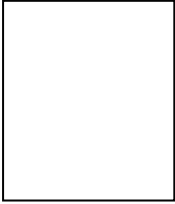
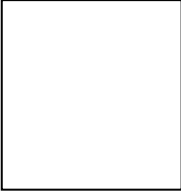
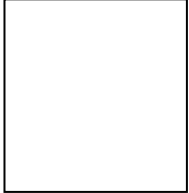
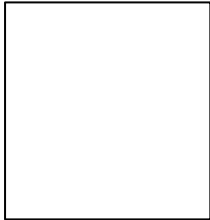
TWin PC Board

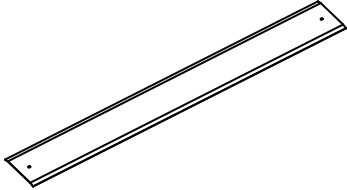
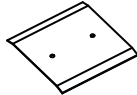
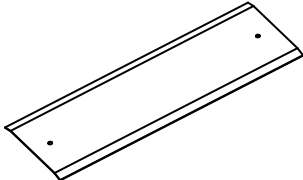
The white film faces outwards if applicable.



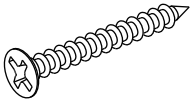
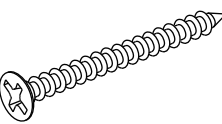
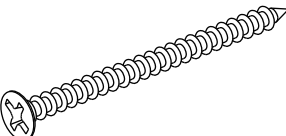
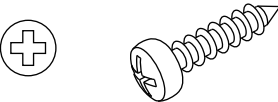
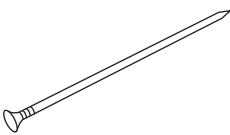
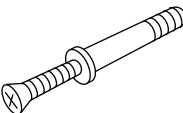
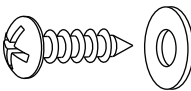
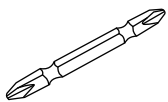
No.	Picture	Qty.	
B		B1	2PCS
		B2	2PCS
		B3	2PCS
		B4	1PCS
		B5	2PCS
		B6	10PCS
		B7	9PCS
		B8	1PCS
		B9	1PCS

Hardware


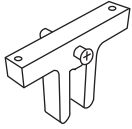

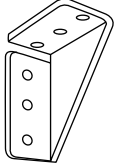
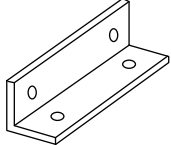
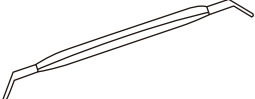
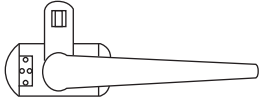
No.	Picture	Qty.
C1		x2
C2		x3
C3		x10
C4		x1


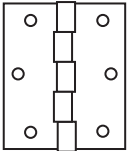


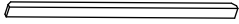
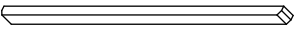

No.	Picture	Qty.
D1		x2
D2		x2
D3		x1

Hardware

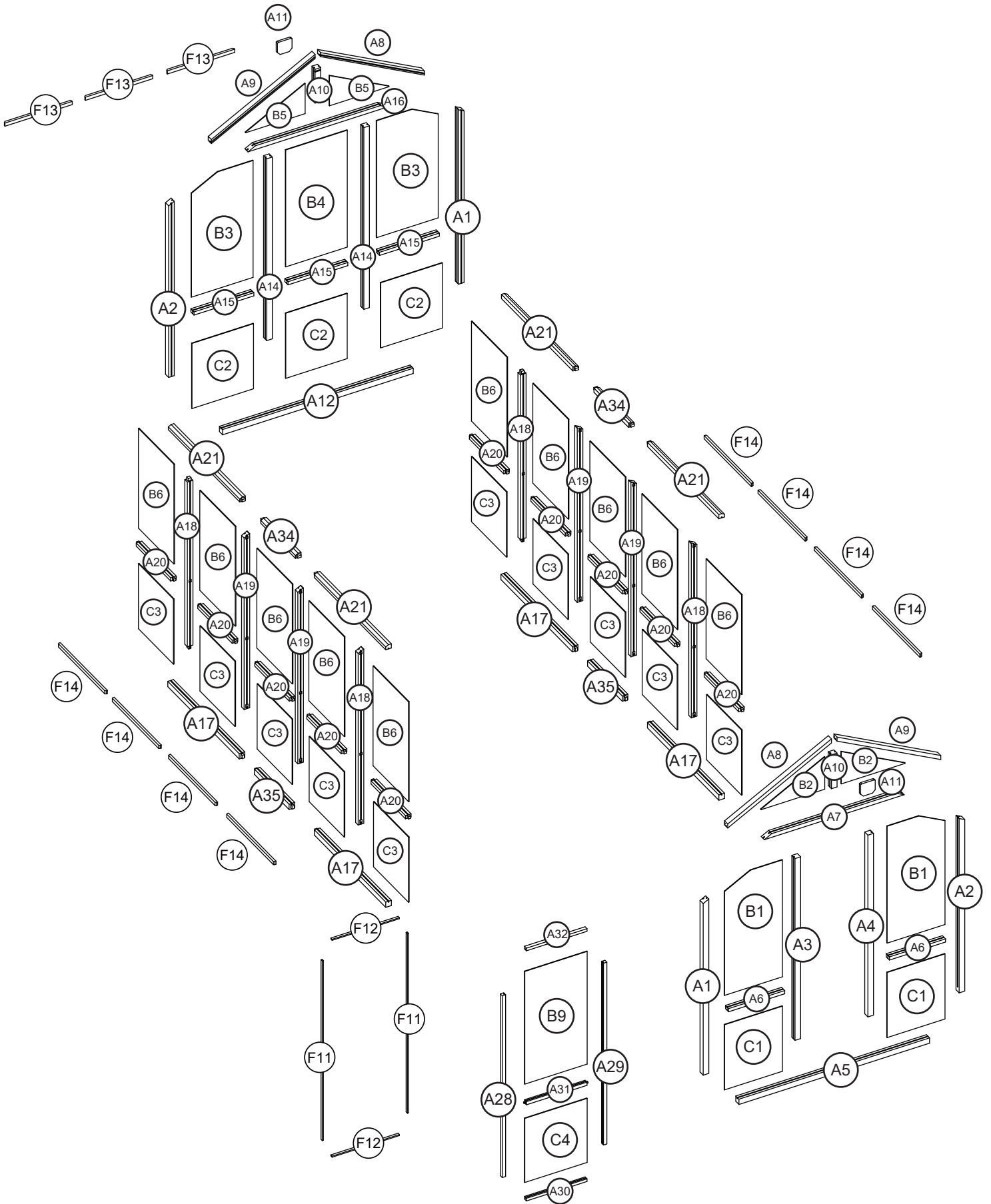
No.	Picture	Qty.	Size
E1		x120+5	M4x20
E2		x139+5	M4x30
E3		x30+2	M4x50
E4		x10+2	M4x16
E5		x20	
E6		x20+2	
E7		x34+2	
E8		x1	

Hardware

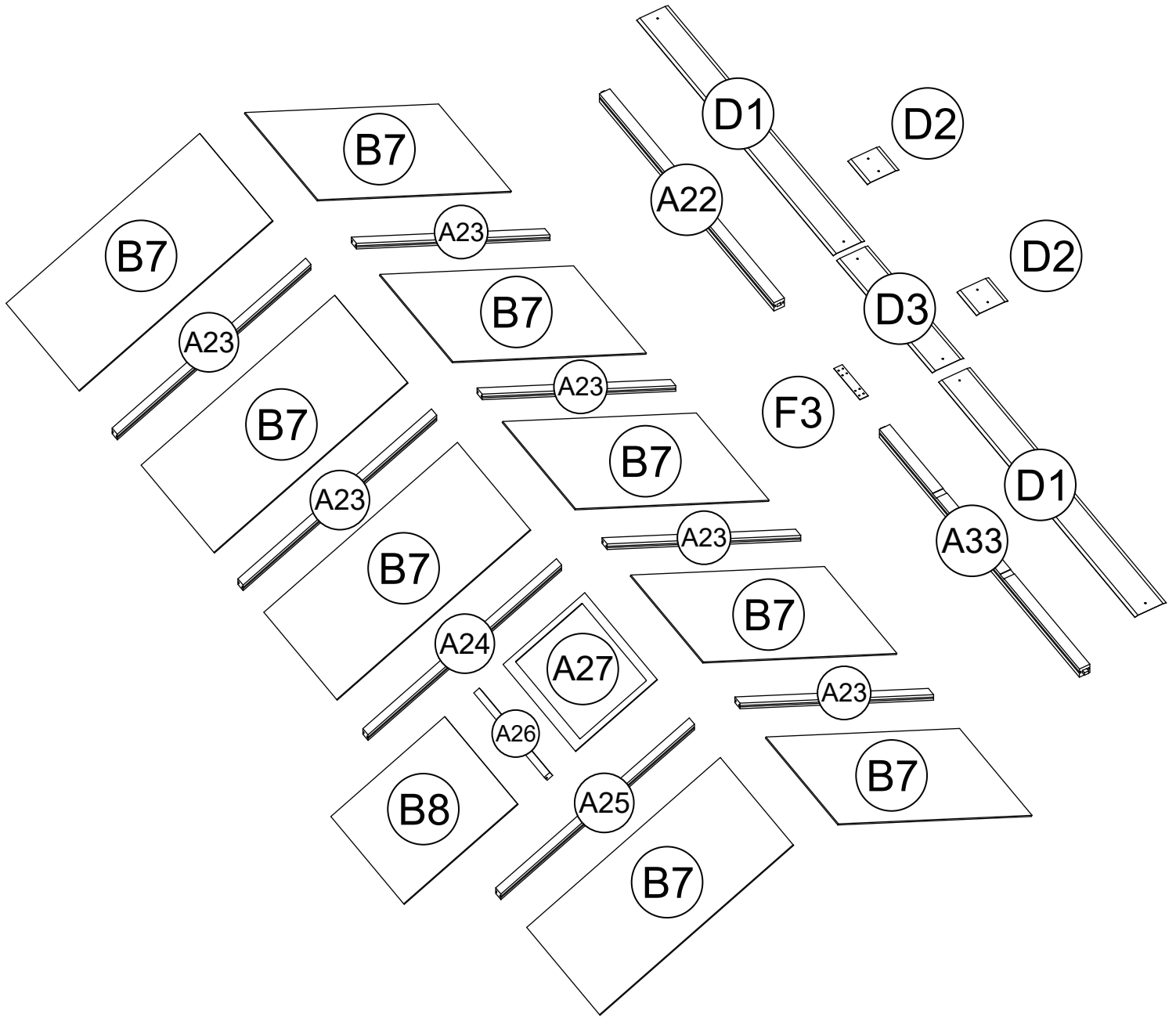
No.	Picture	Qty.
F1		x1
F2		x1
F3		x9
F4		x2
F5		x10
F6		x4
F7		x1

No.	Picture	Qty.
F8		x1
F9		x2
F11		x2
F12		x2
F13		x3
F14		x8
F15		x16

WALL SECTION



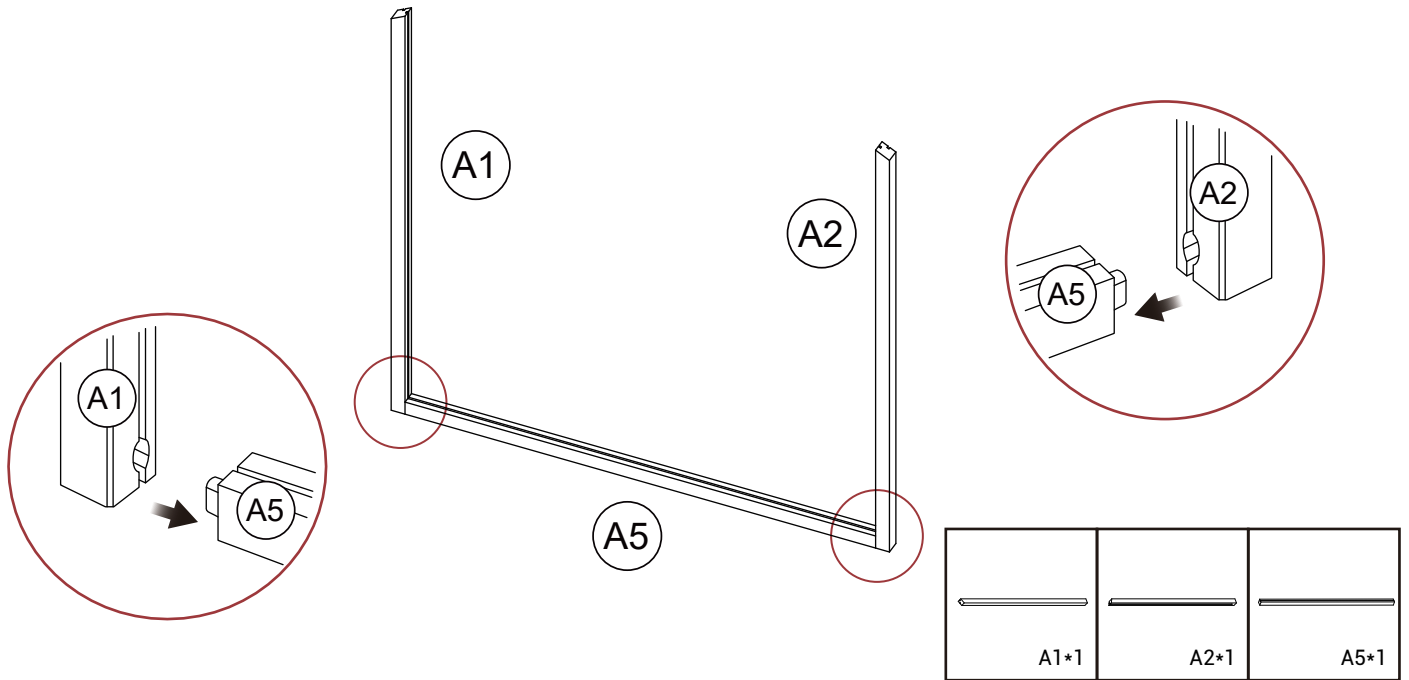
ROOF SECTION



STEP 1

Front frame installation 1

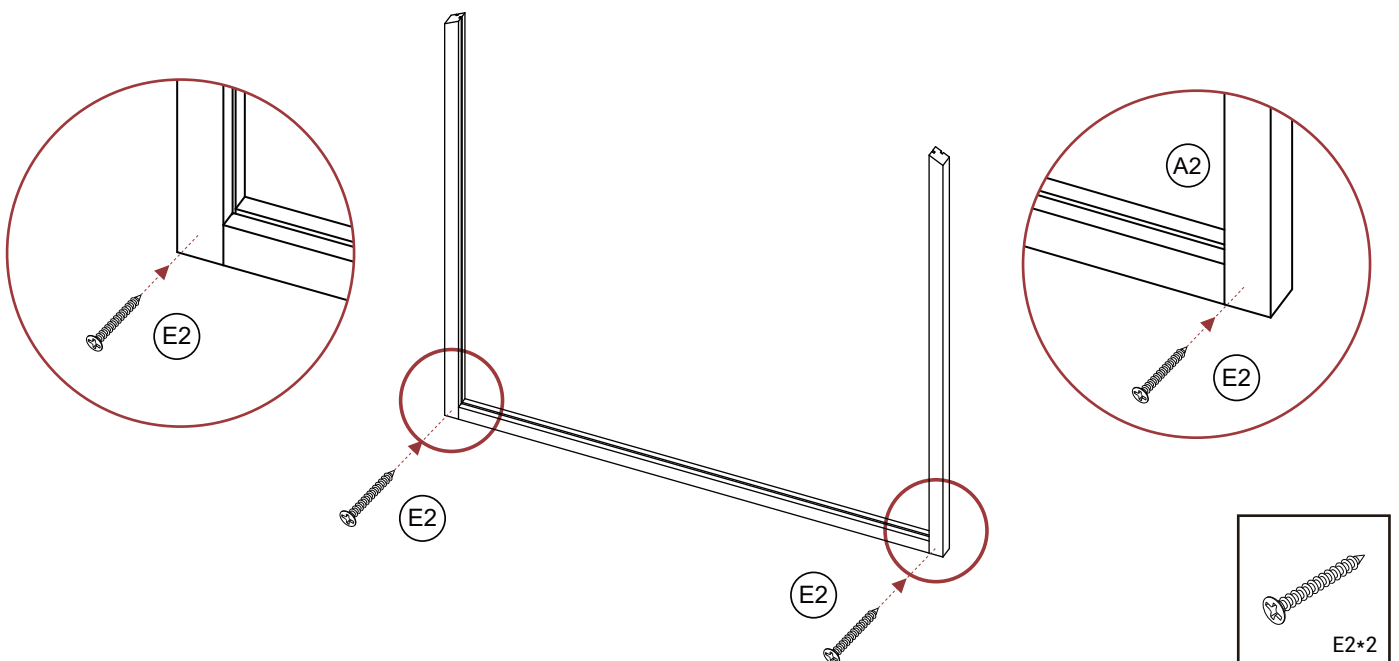
1. A5 with the card slot facing up
2. Align the plugs on both sides of A5 with the A1 and A2 sockets and insert them



STEP 2

Front frame installation 2

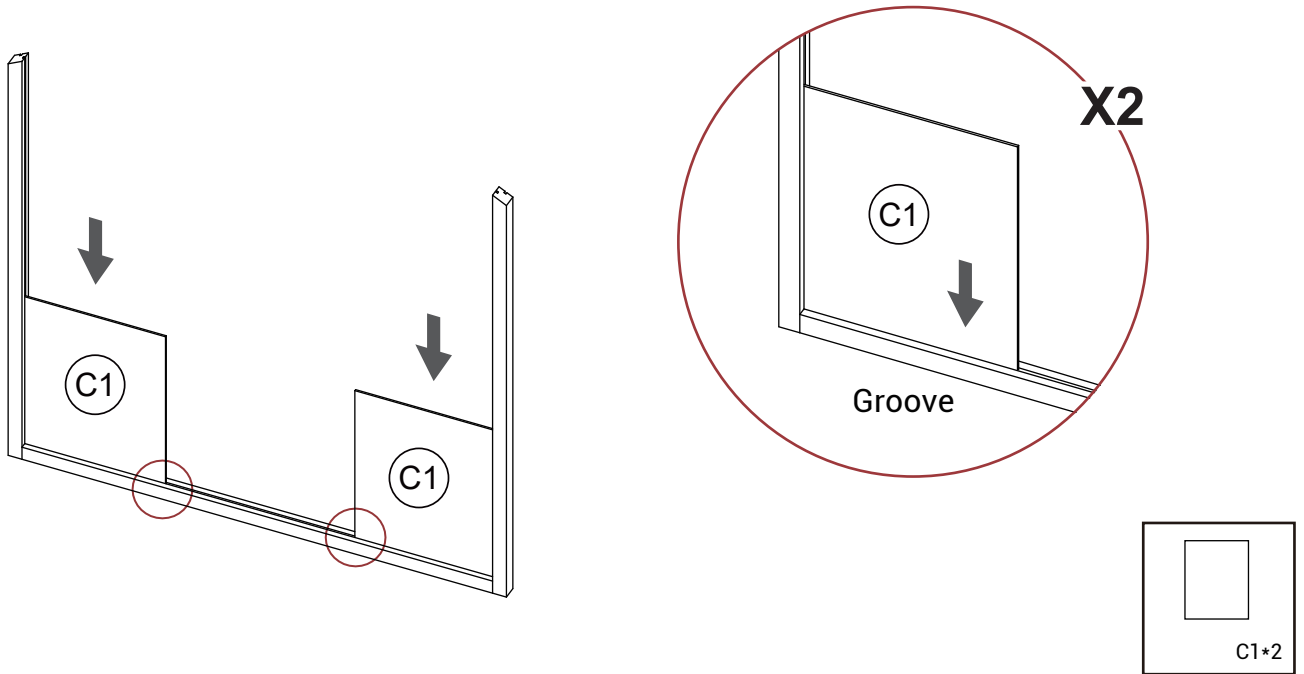
1. Fix with E2



STEP 3

Front frame installation 3

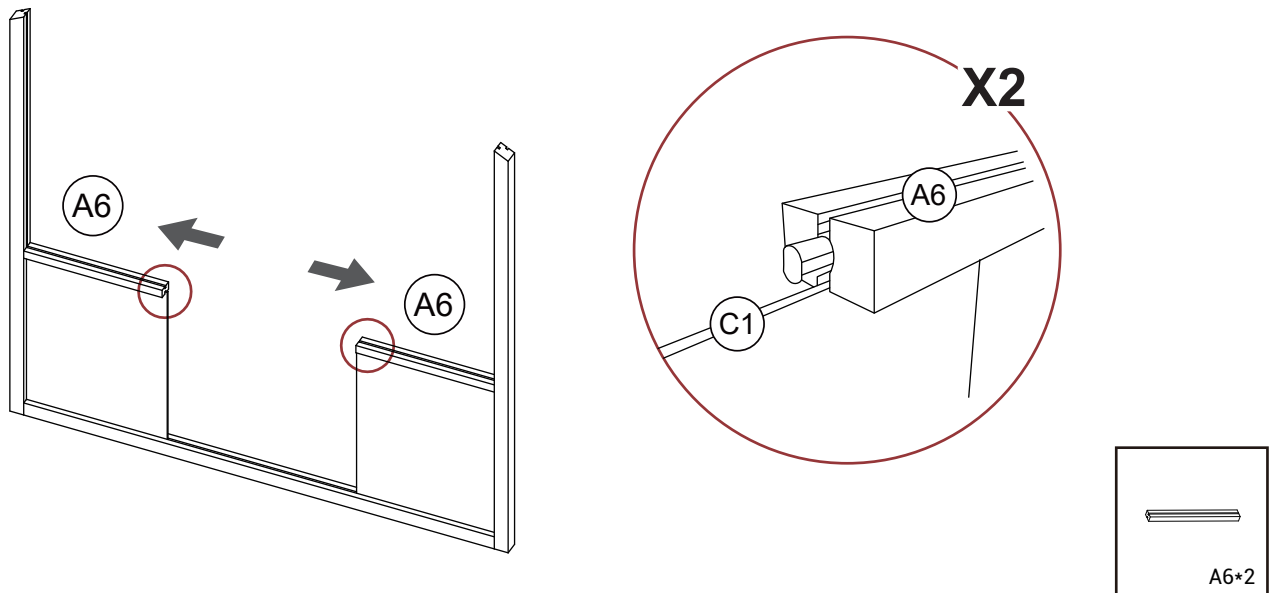
1. Insert C1 downward along the groove of the wood strip into the groove of the wood strip



STEP 4

Front frame installation 4

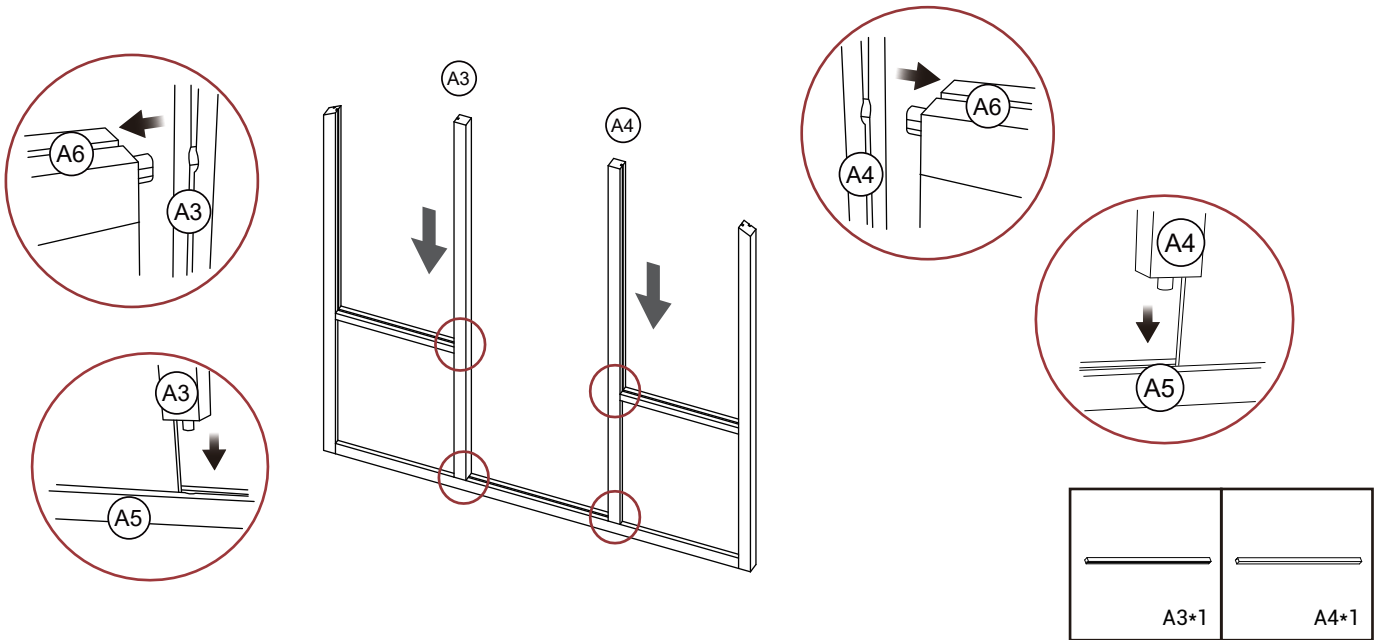
1. Align the groove of A6 with B1 and push it inward along the wooden board until the plug is inserted into the socket



STEP 5

Front frame installation 5

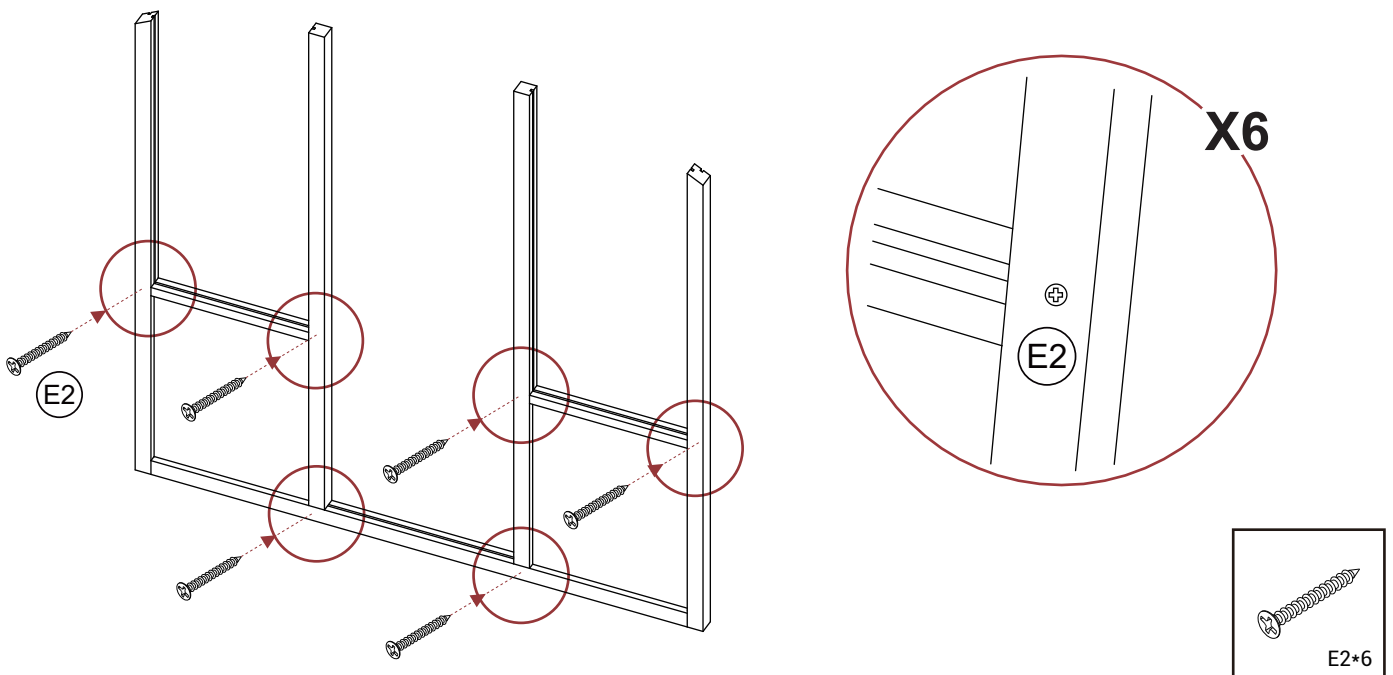
1. Align the plug at the bottom of A3 with the socket on A5 and insert it, and align the socket on A3 with the plug on A6
2. Align the plug at the bottom of A4 with the socket on A5 and insert it, and align the socket on A4 with the plug on A6



STEP 6

Front frame installation 6

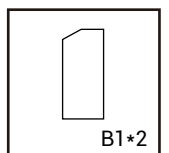
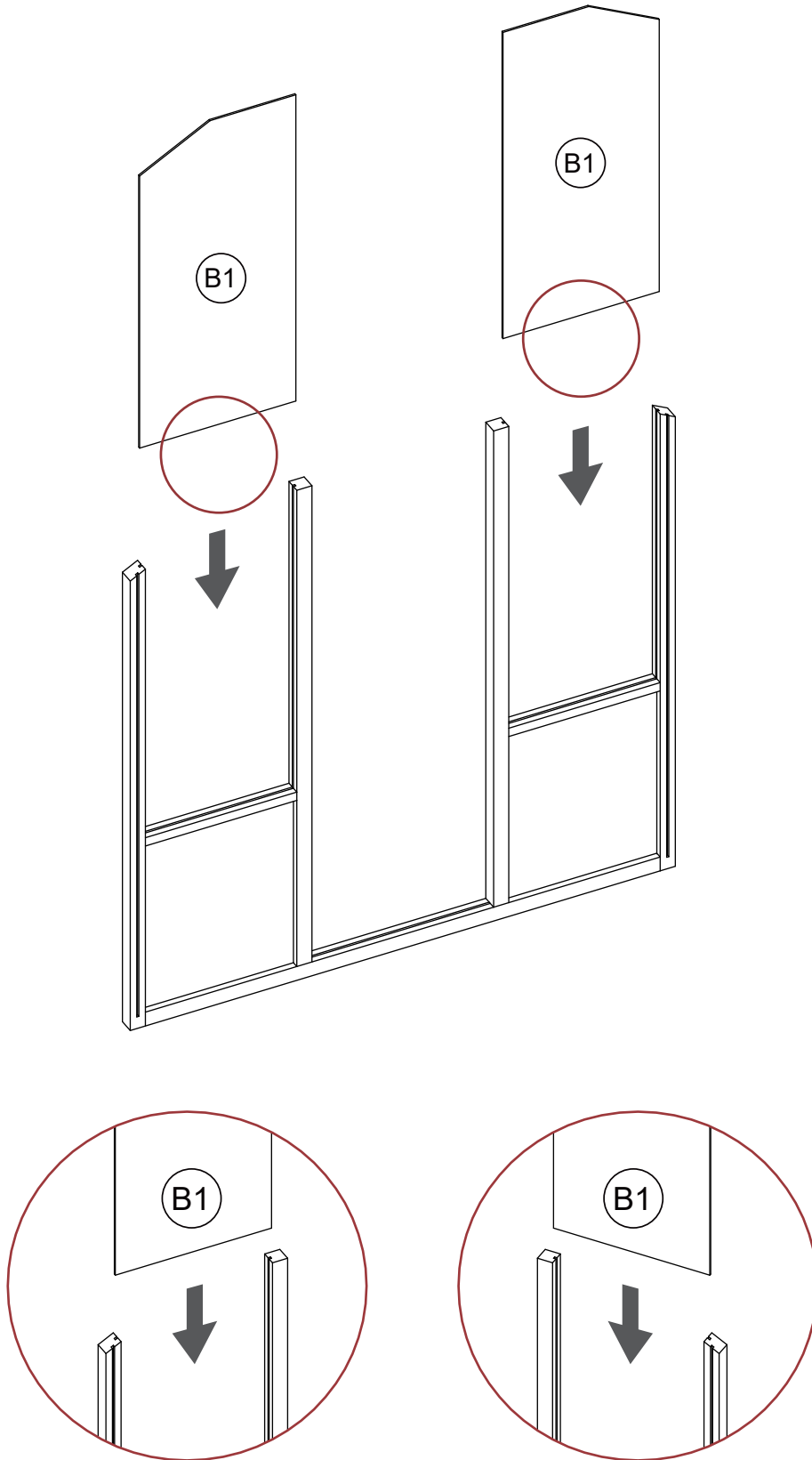
1. Fix with E2



STEP 7

Front frame installation 7

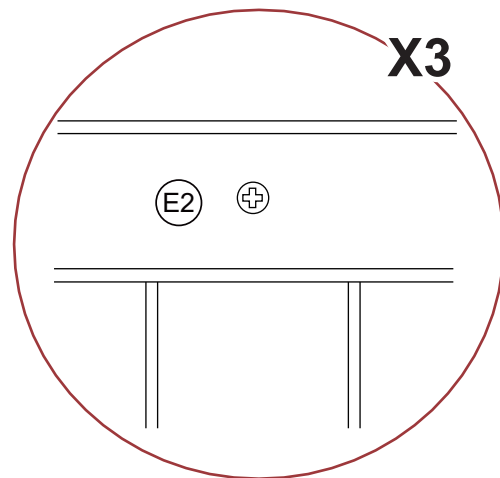
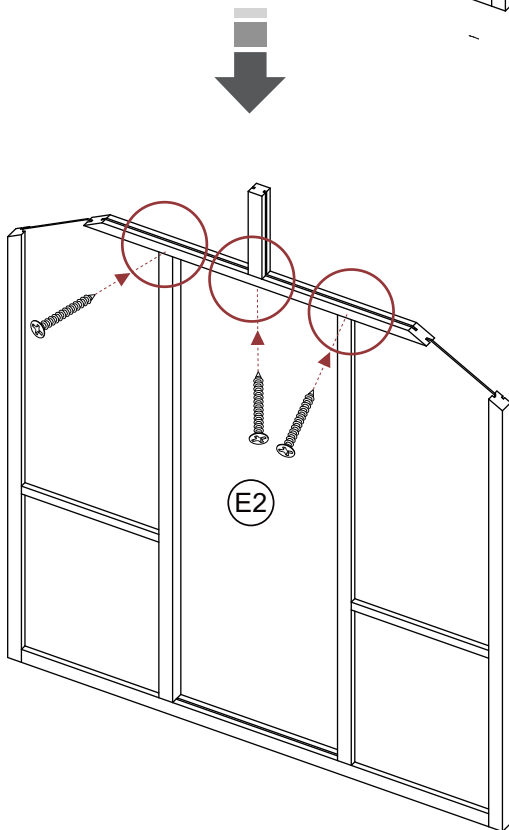
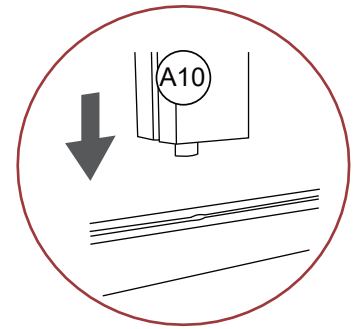
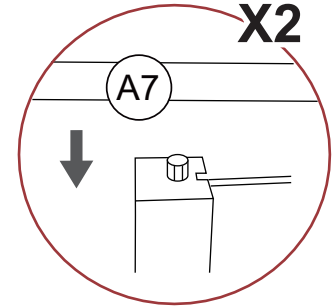
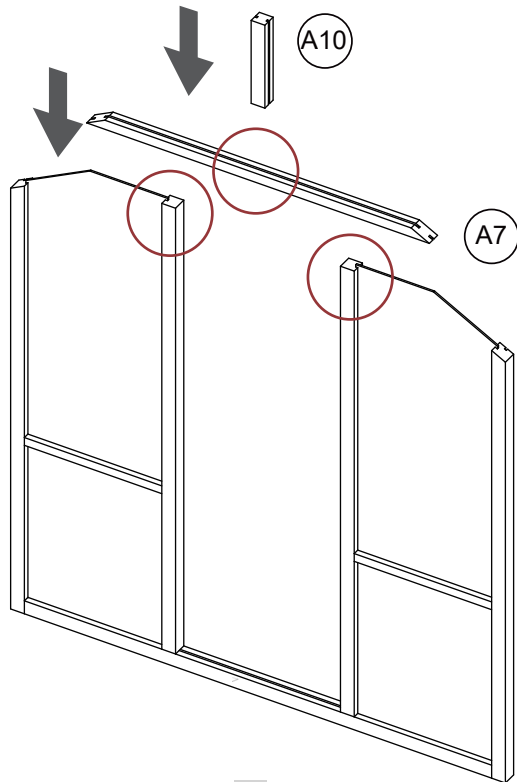
1. Insert B1 into the front frame



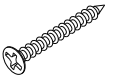


STEP 8

Front frame installation 8

1. Insert A7 into the front frame
2. Insert A10 into A7
3. Fix with E2

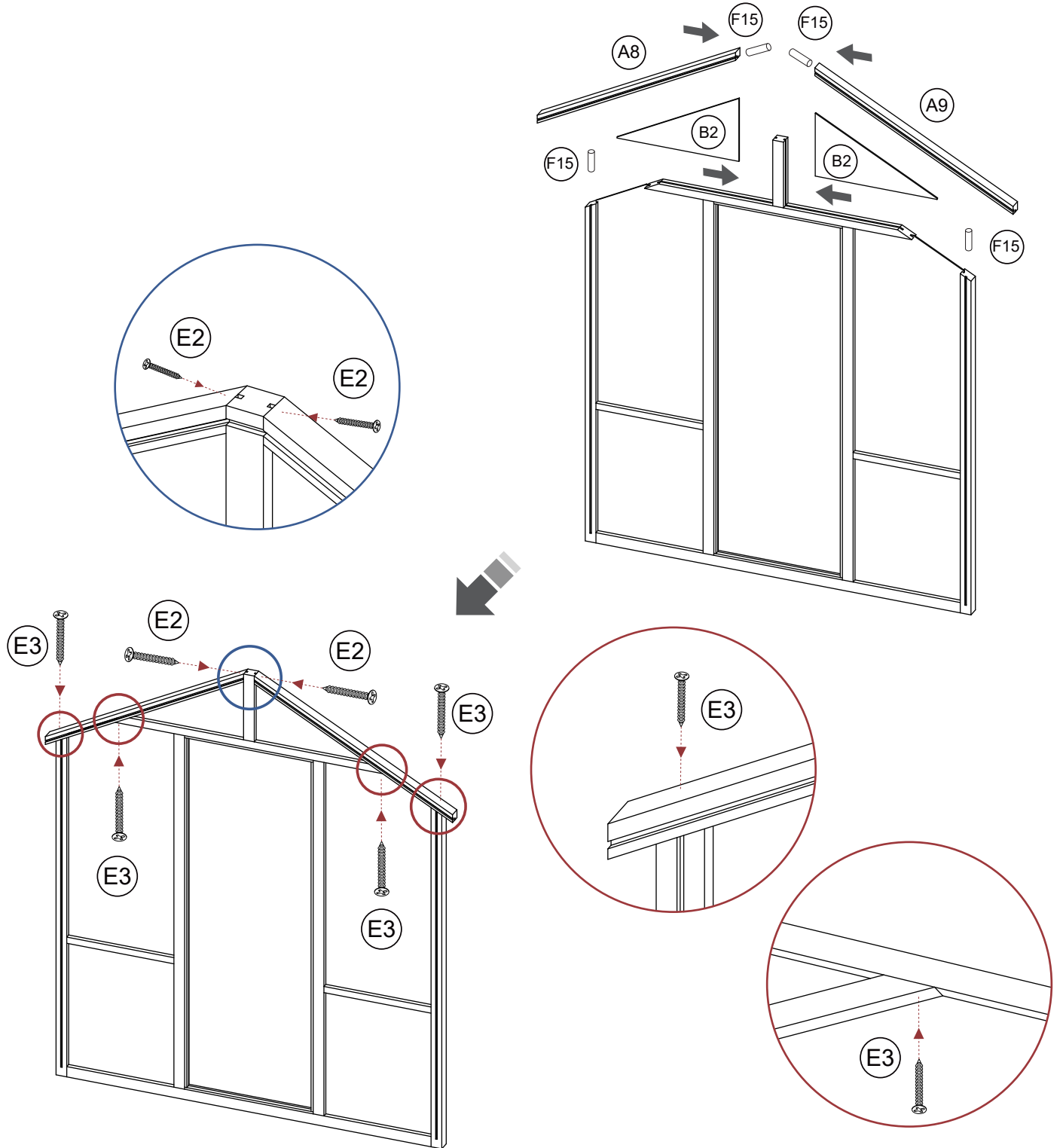



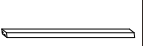
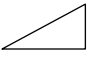

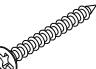

		
A7*1	A10*1	E2*3

STEP 9

Front frame installation 9

1. Insert B2 into A10 slot
2. Insert F15 into A8 and A9
3. Insert A8 and A9 into A10 respectively
4. Fix with E2/E3

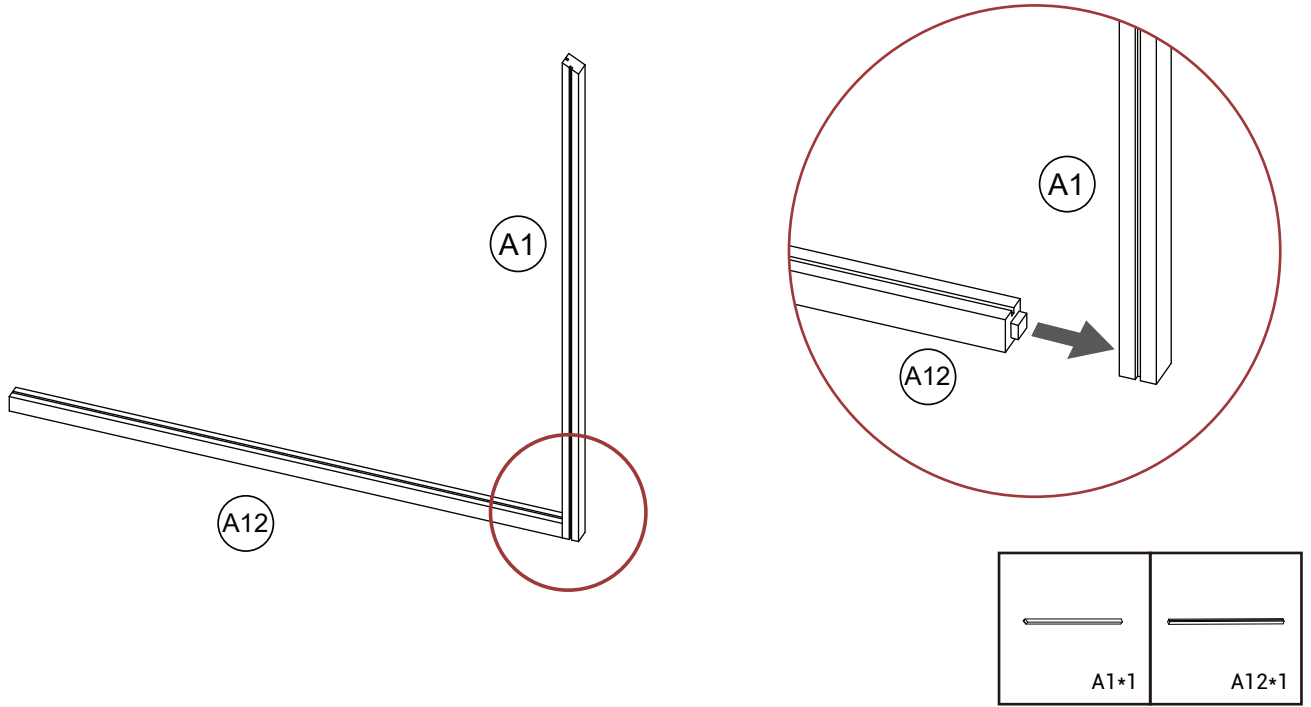


					
A8*1	A9*1	B2*2	F15*4	E2*2	E3*4

STEP 10

Rear frame installation 1

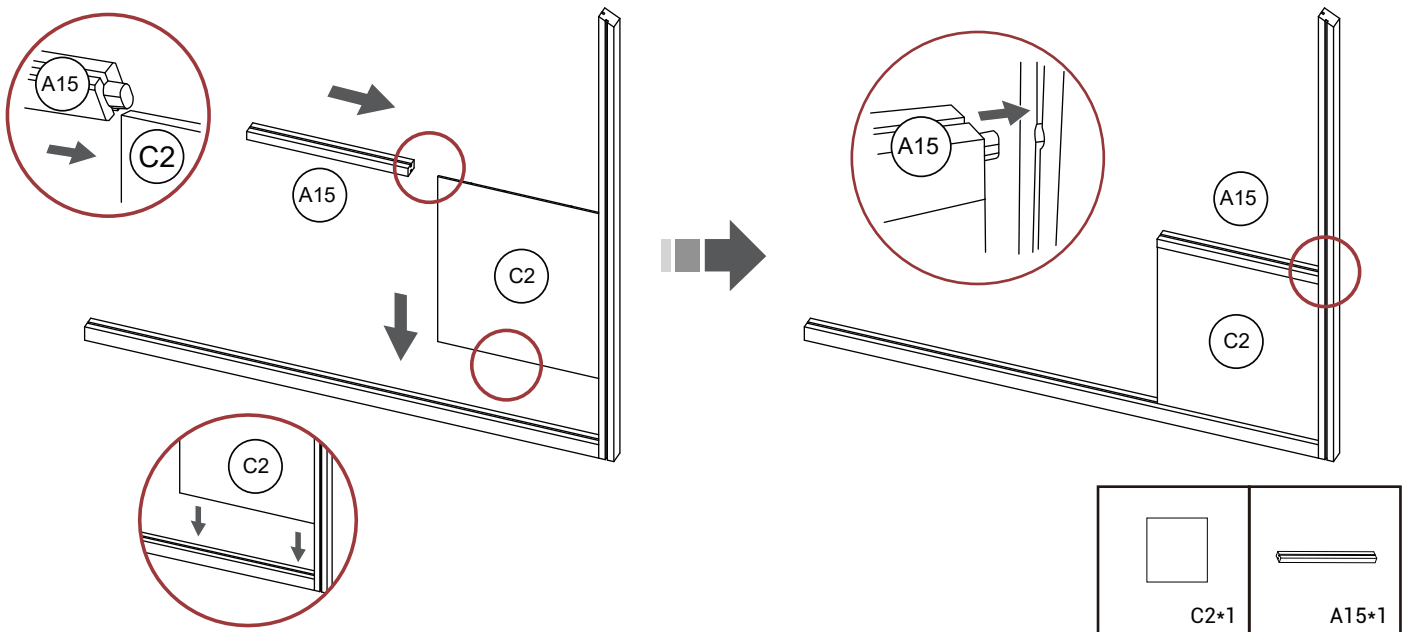
1. A12 with the card slot facing up
2. Aim the A12 plug at the A1 jack and insert it



STEP 11

Rear frame installation 2

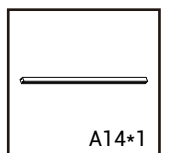
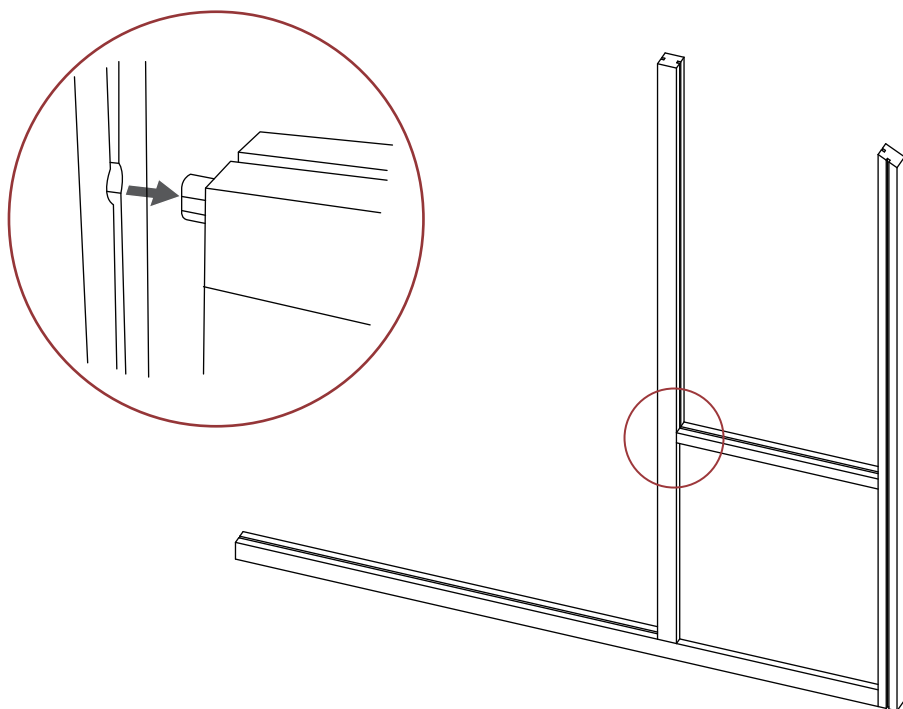
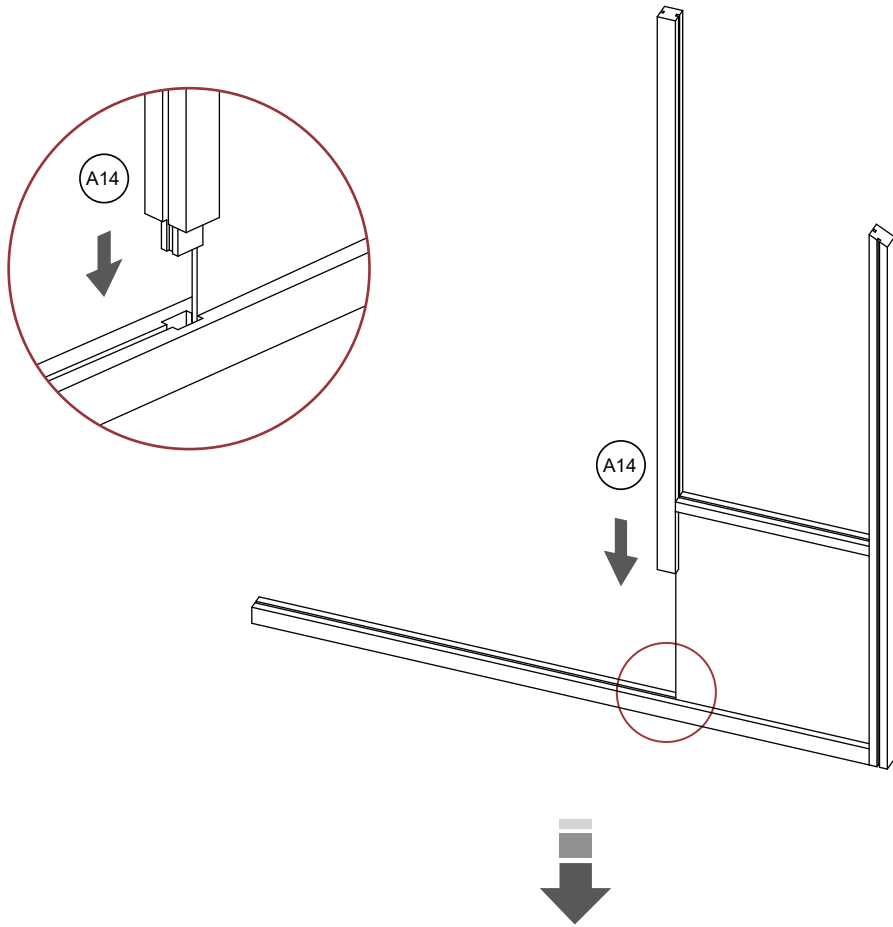
1. Insert C2 downward into the A12 slot
2. Align the A15 slot with C2 and push inward until the plug is inserted into the socket



STEP 12

Rear frame installation 3

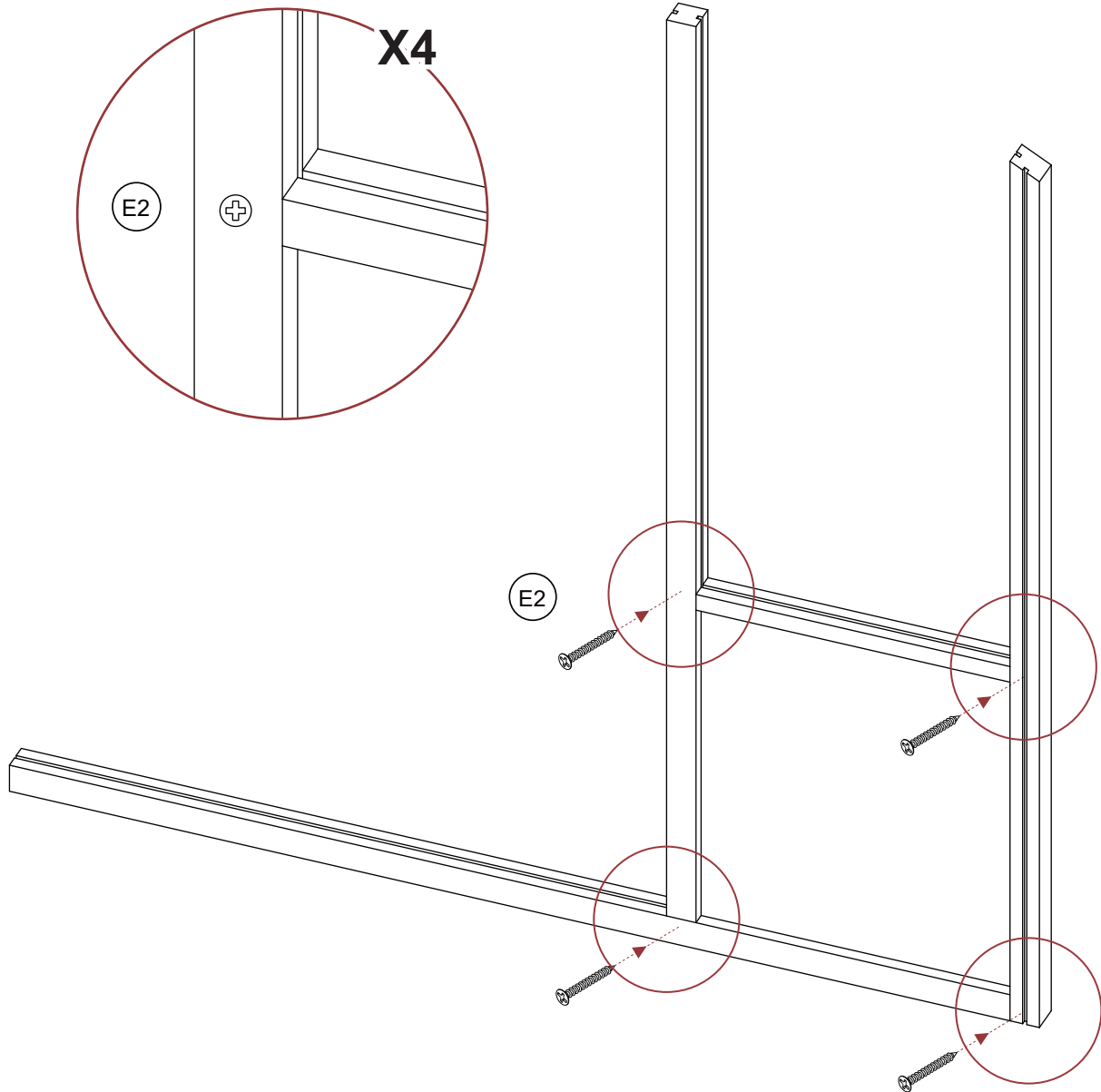
1. Insert A14 downward into the jack



STEP 13

Rear frame installation 4

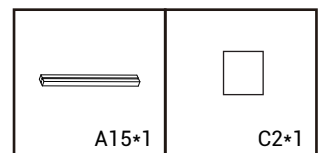
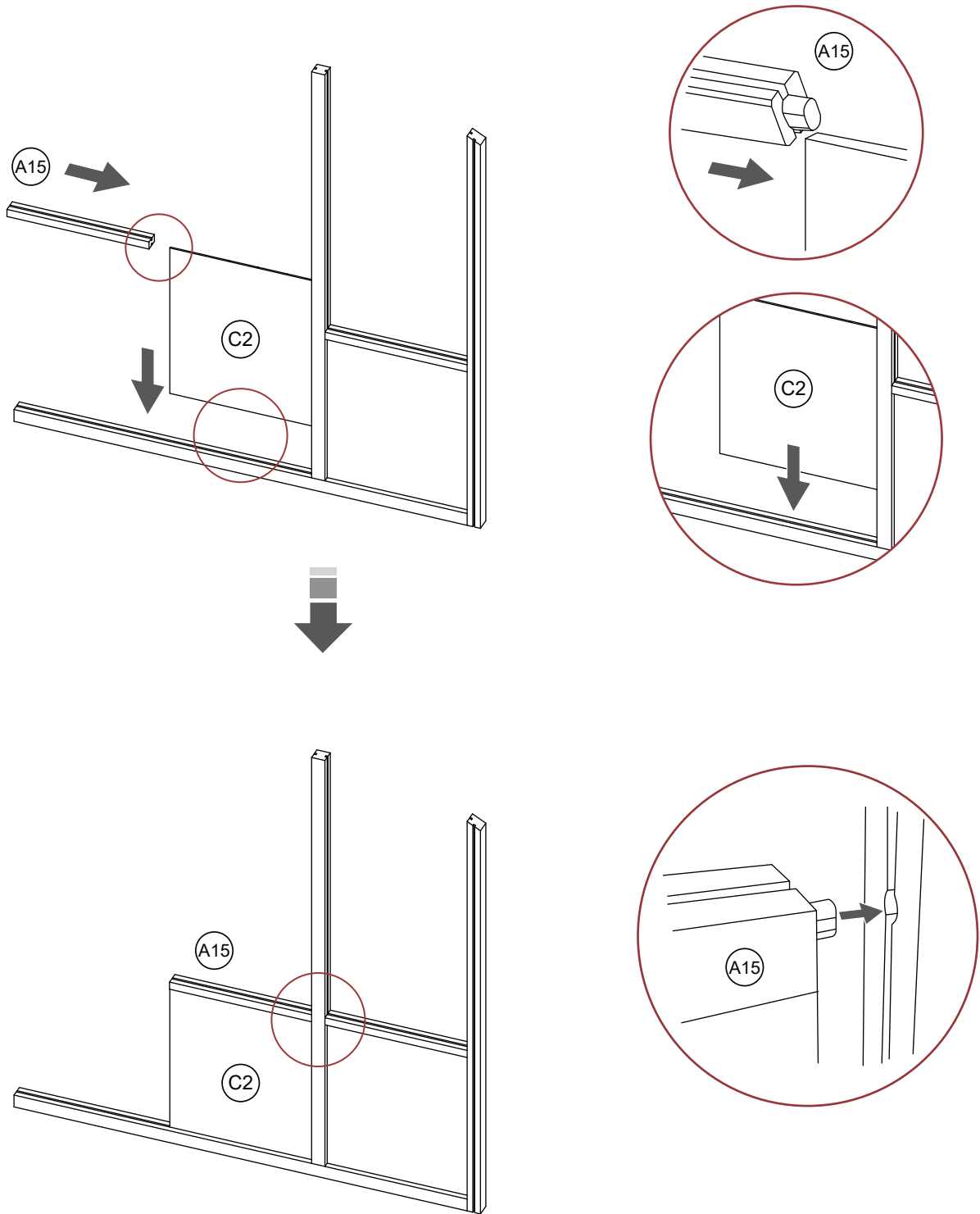
1. Fix with E2



STEP 14

Rear frame installation 5

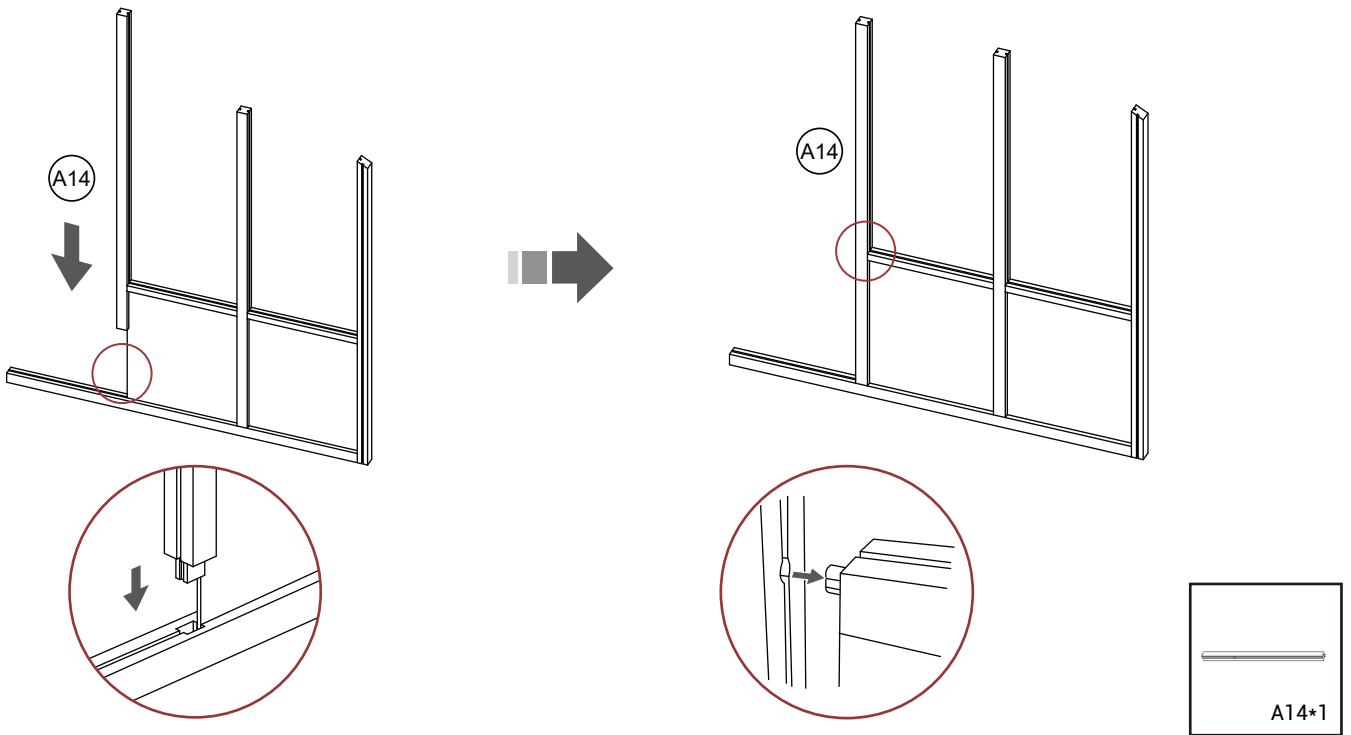
1. Insert C2 downward into the A12 slot
2. Align the A15 slot with C2 and push inward until the plug is inserted into the socket



STEP 15

Rear frame installation 6

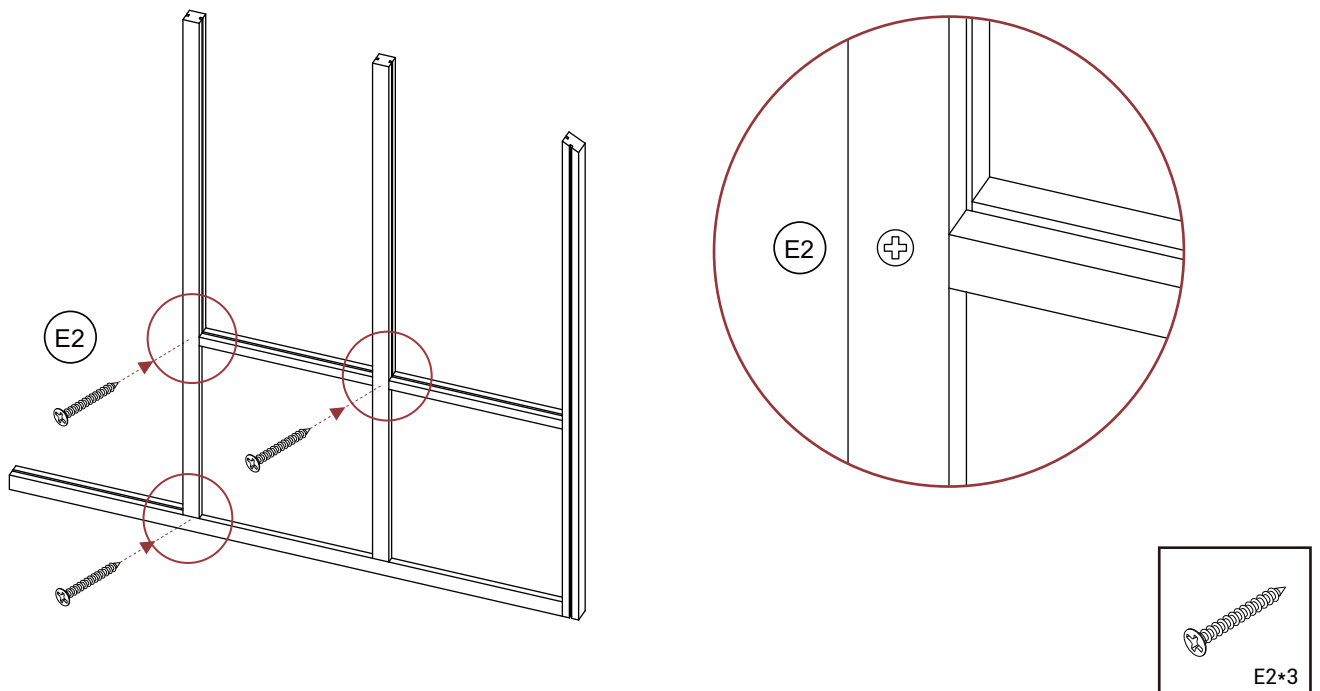
1. Insert A14 downward into the socket



STEP 16

Side frame installation 7

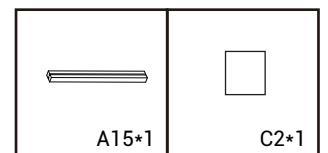
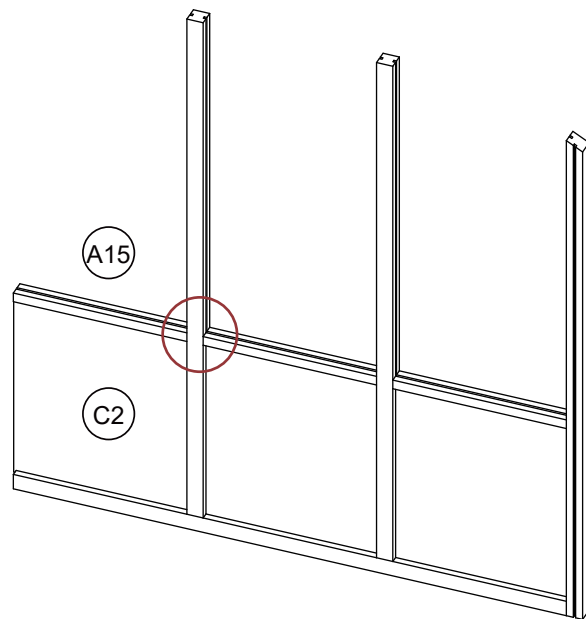
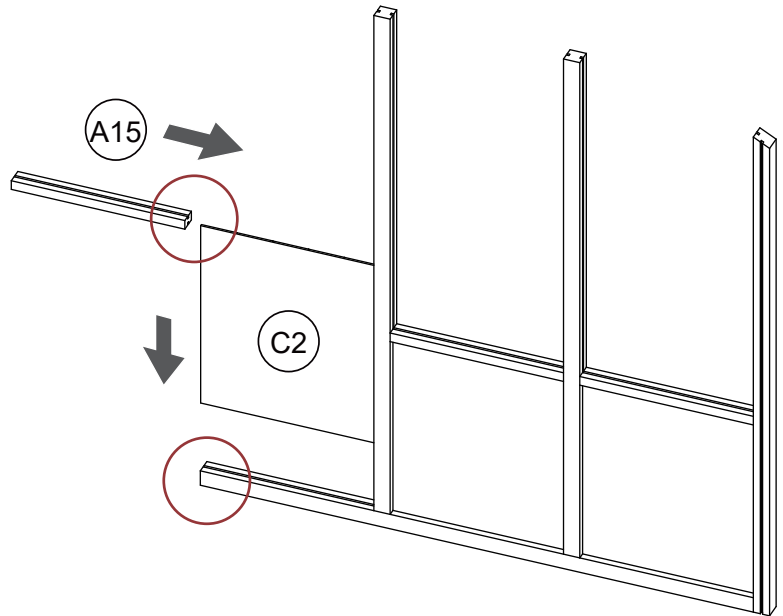
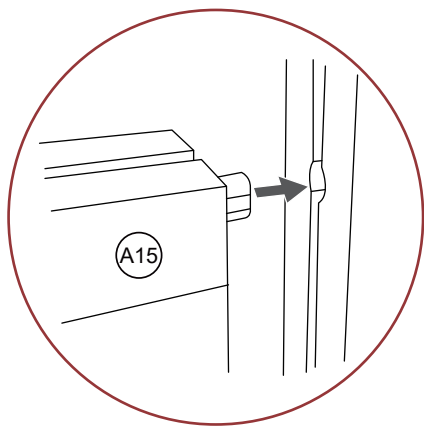
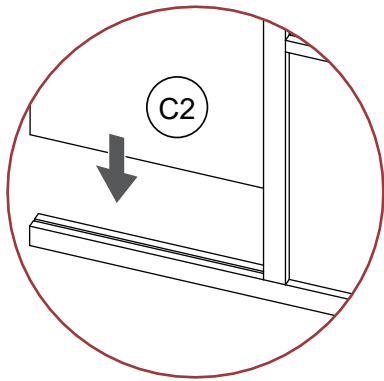
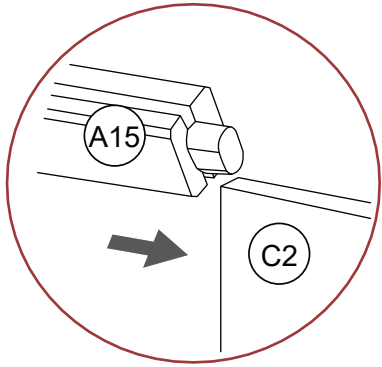
1. Fix with E2



STEP 17

Rear frame installation 8

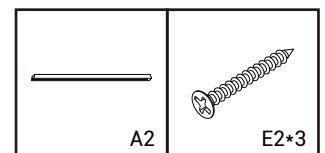
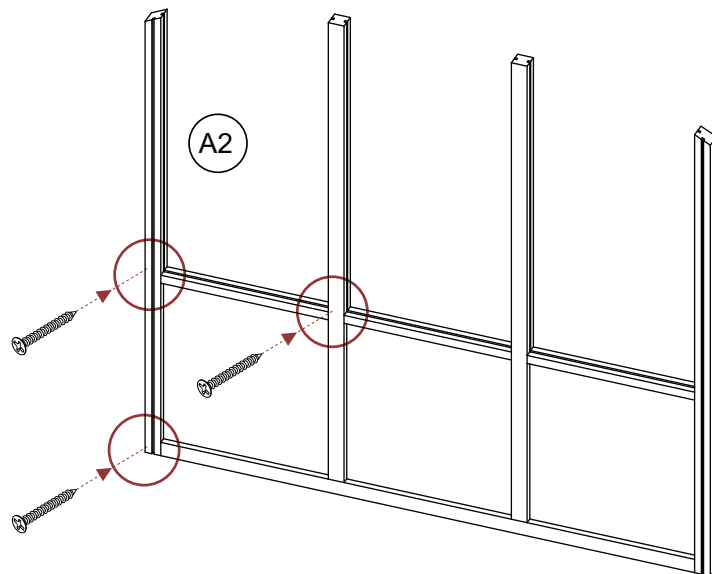
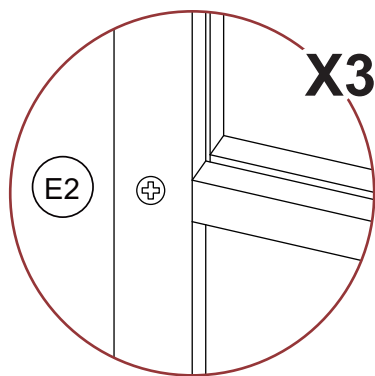
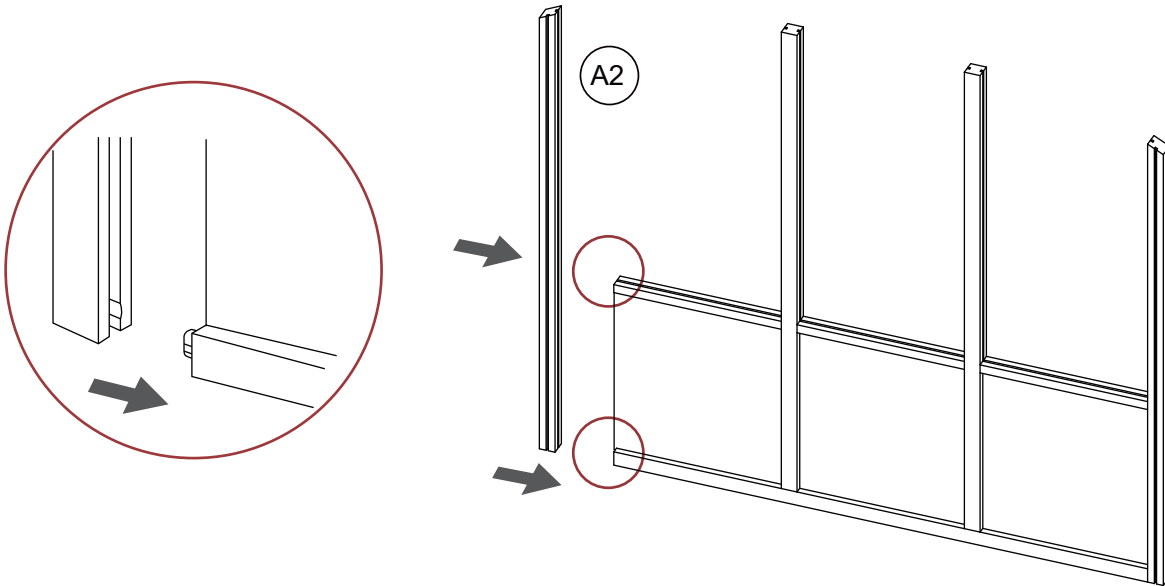
1. Insert C2 downward into the A12 slot
2. Align the A15 slot with C2 and push inward until the plug is inserted into the socket



STEP 18

Rear frame installation 9

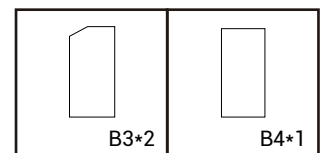
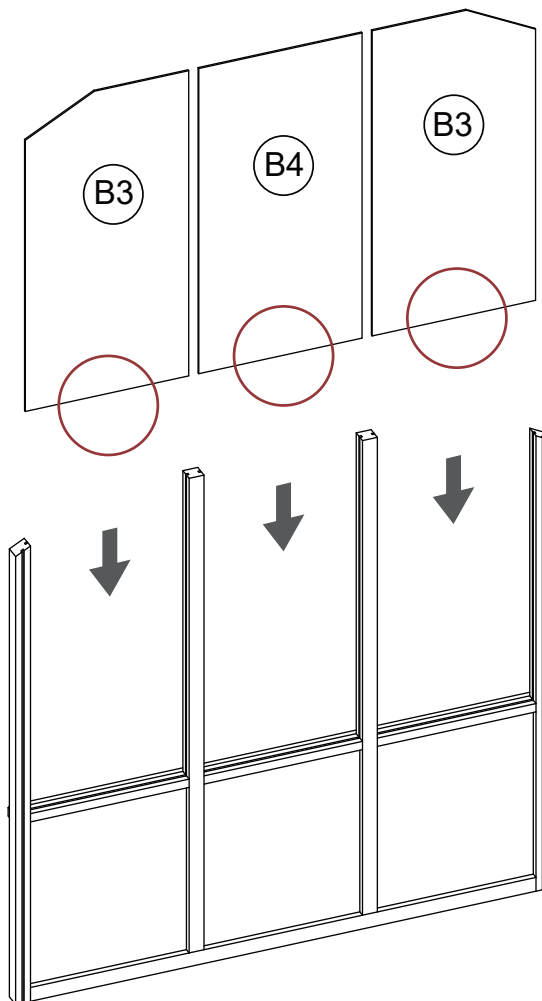
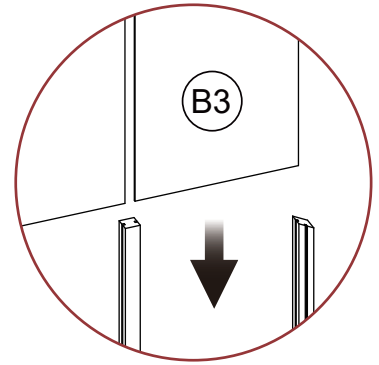
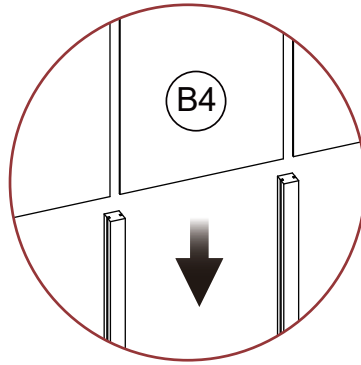
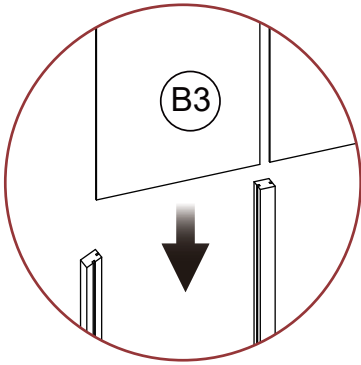
1. Align the A2 socket with the A12 and A14 plugs and insert
2. Fix with E2



STEP 19

Rear frame installation 10

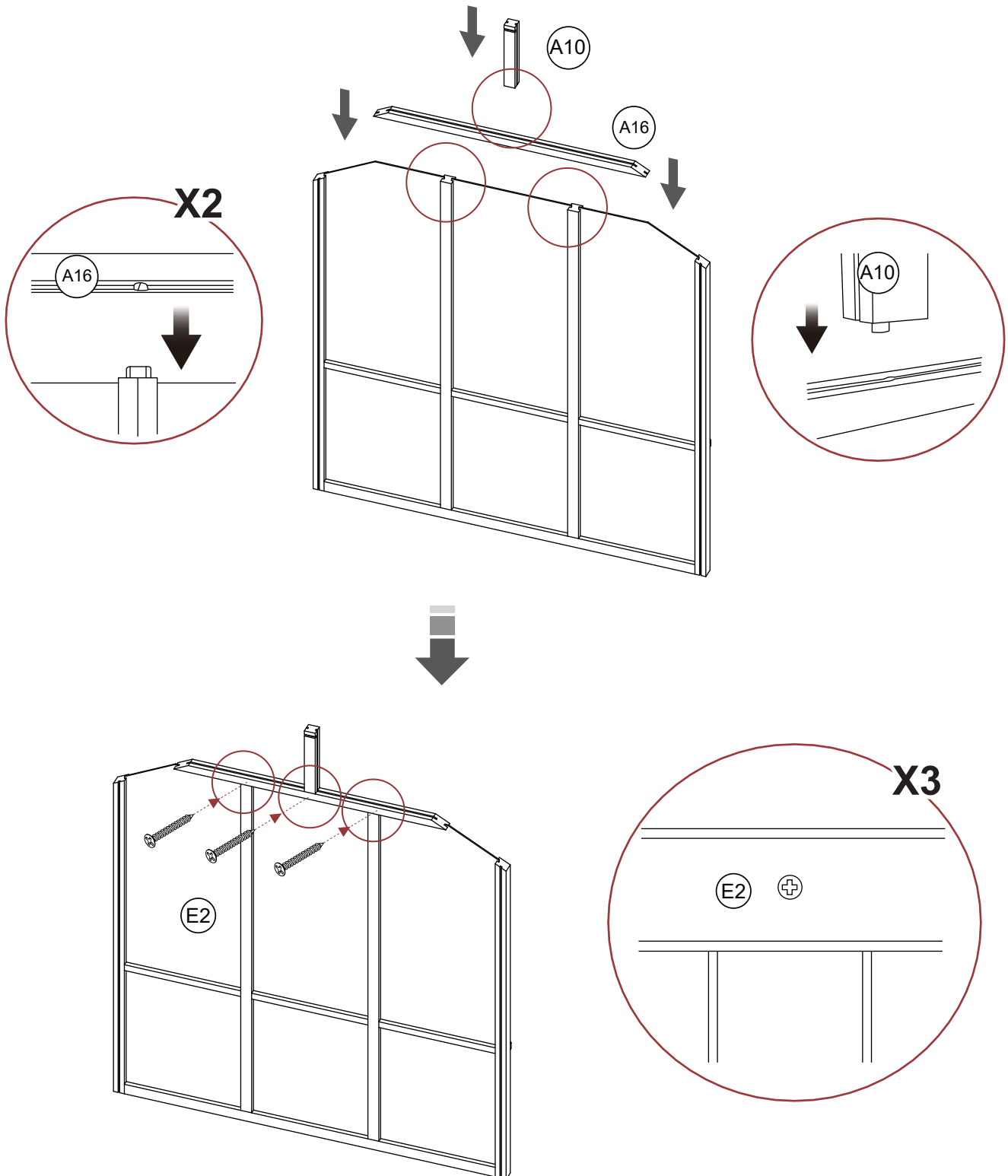
1. Place B3 and B4 down along the groove of the rear frame



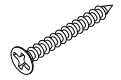


STEP 20

Rear frame installation 11

1. Plug A16 into the rear frame
2. Plug A10 into A16
3. Fix with E2

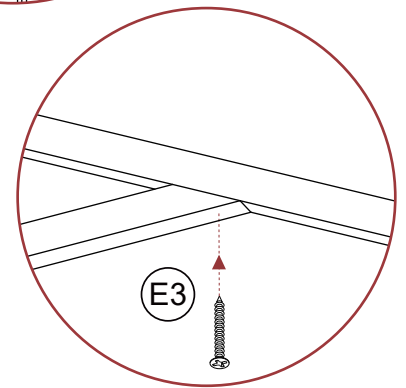
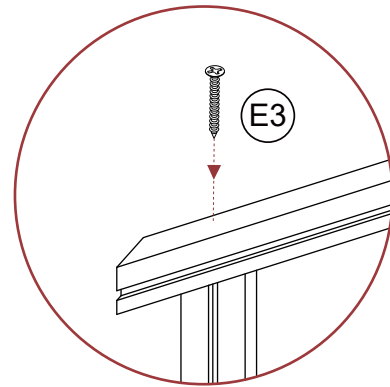
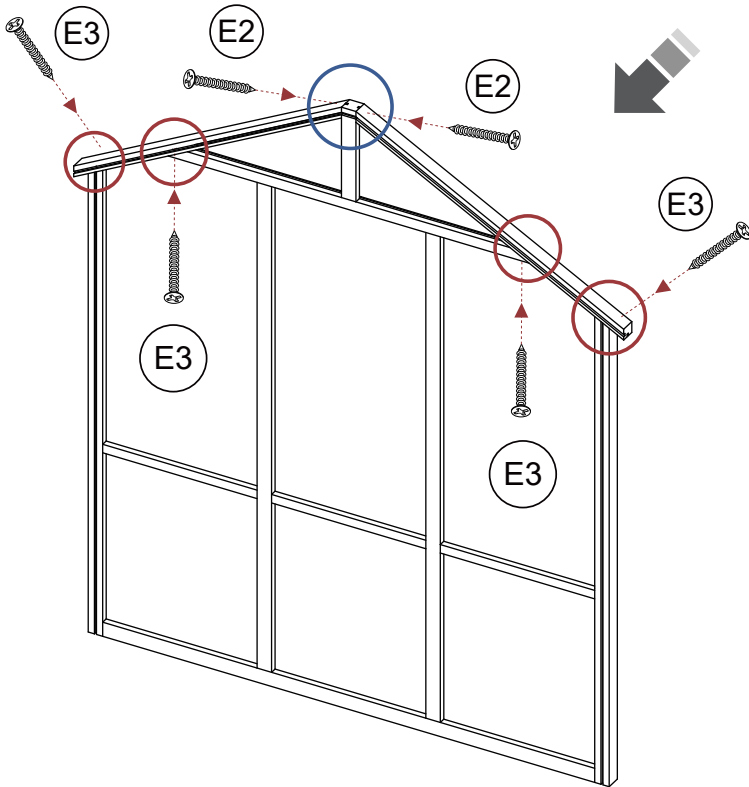
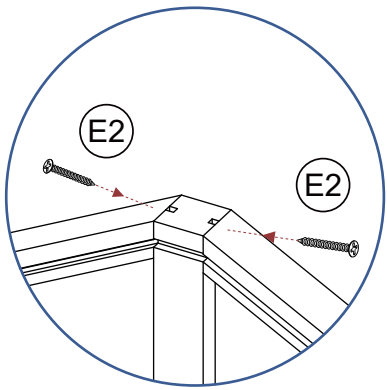
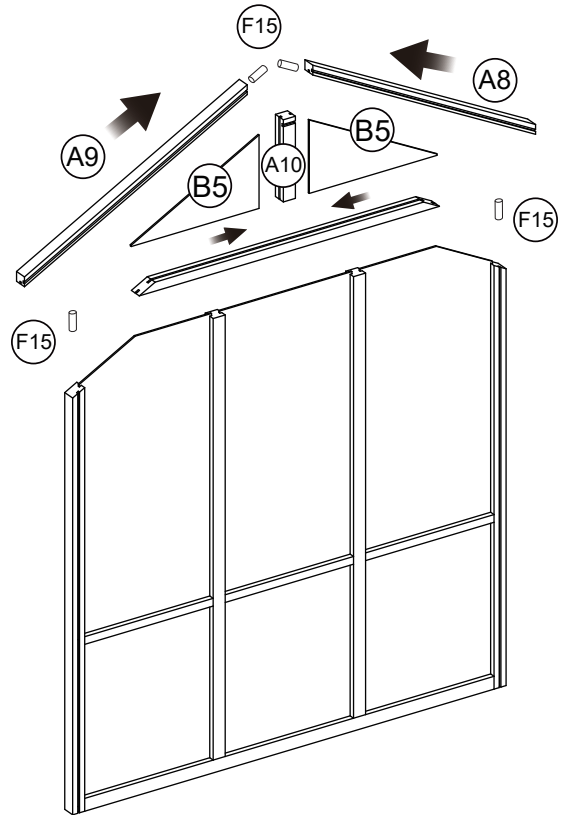


		
A10*1	A16*1	E2*3

STEP 21

Rear frame installation 12

1. Insert B5 into A15 slot
2. Insert F15 into A8 and A9
3. Insert A8 and A9 into A10 respectively
4. Fix with E2/E3

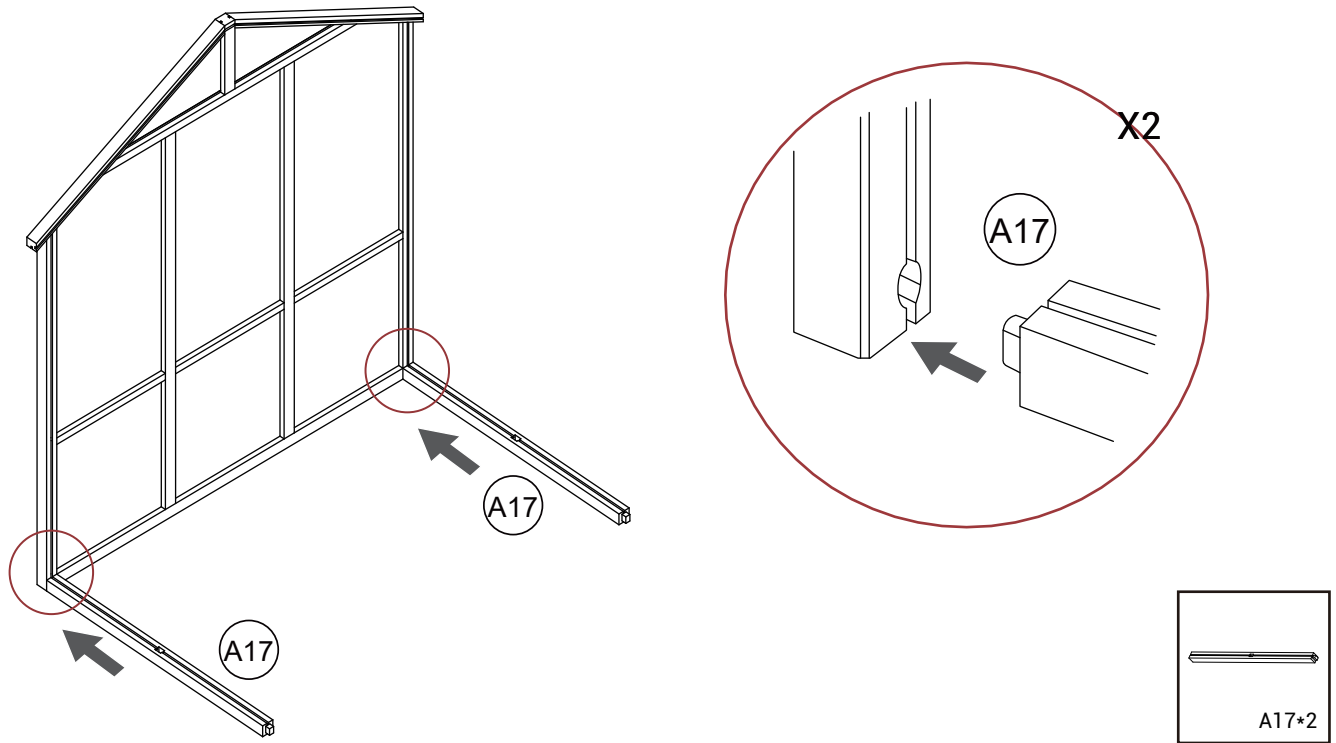


A8*1	A9*1	B5*2	F15*4	E2*2	E3*4

STEP 22

Side frame installation 1

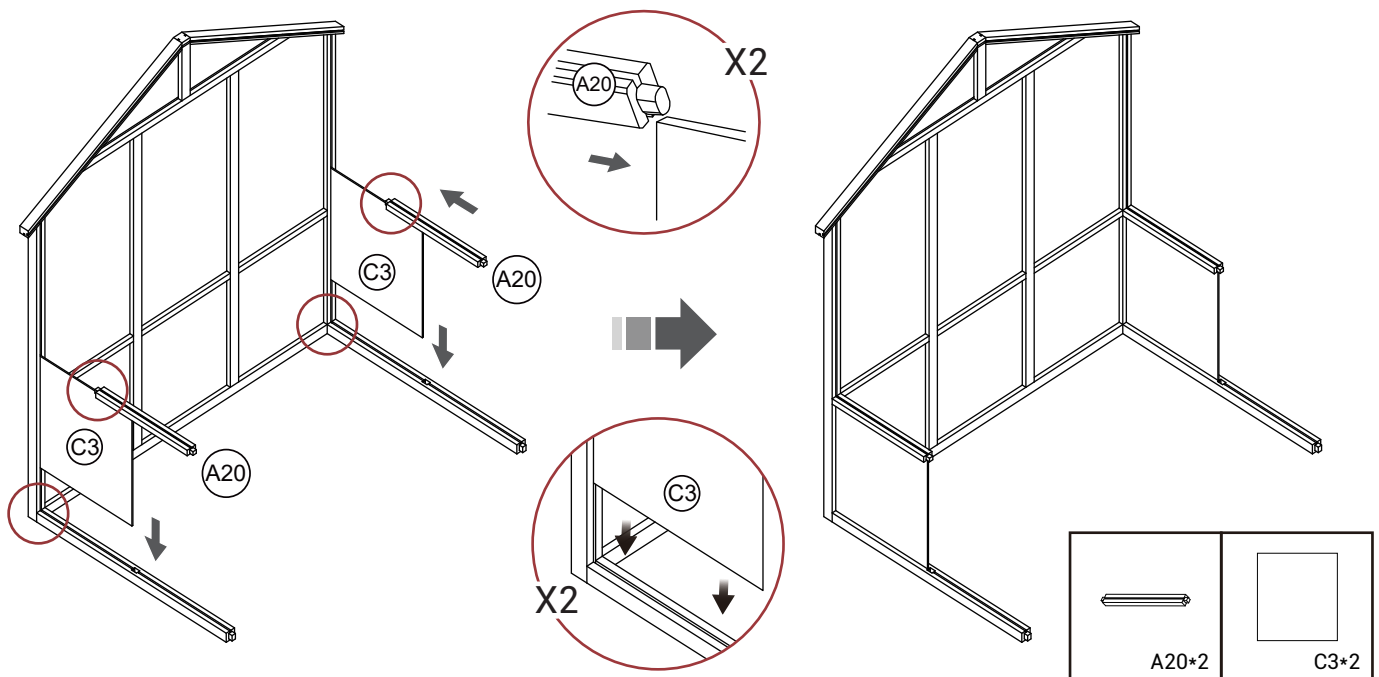
1. Insert A17 into the rear frame



STEP 23

Side frame installation 2

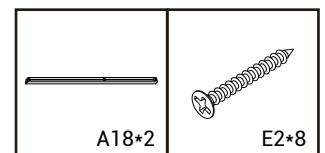
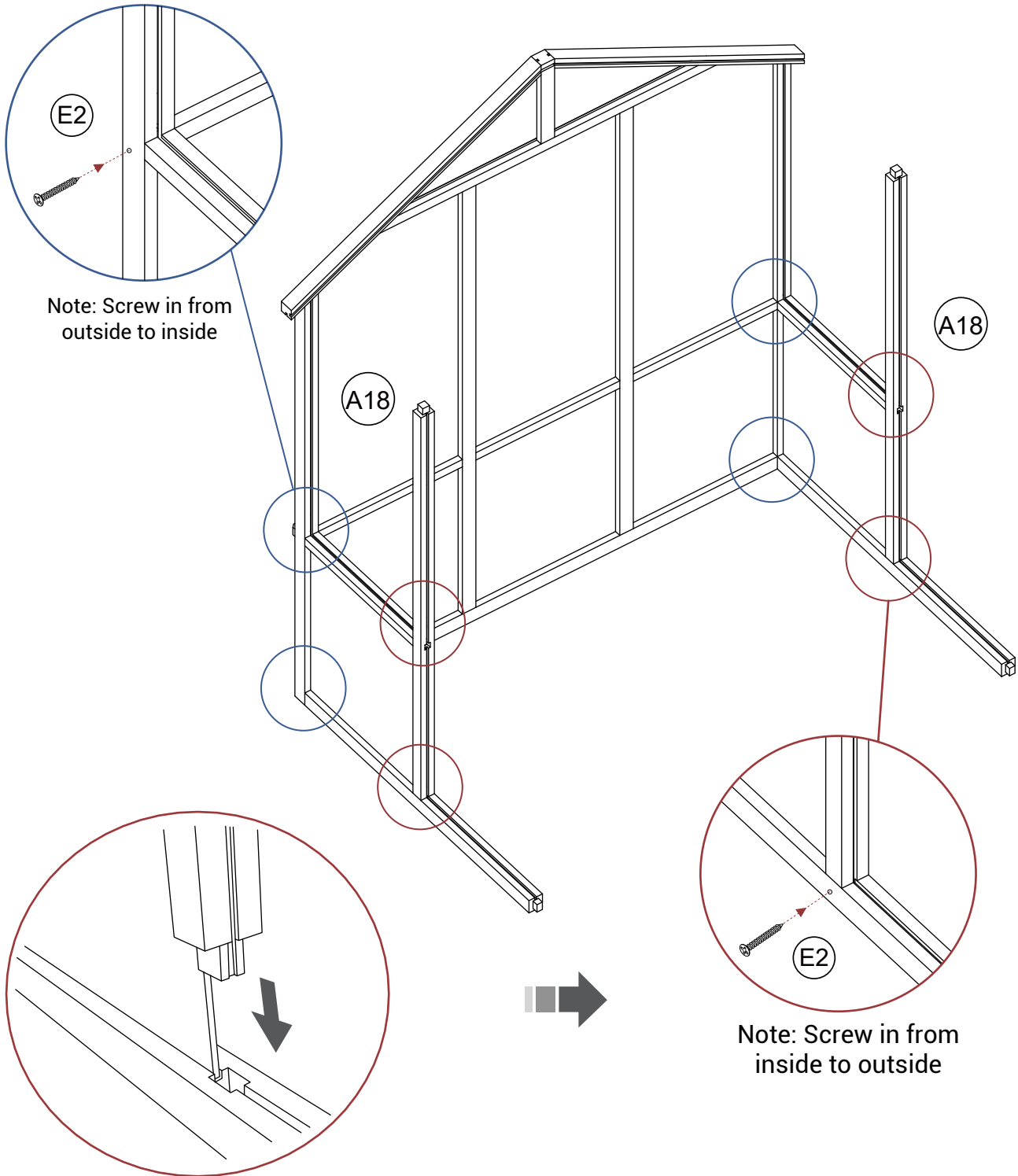
1. Insert C3 into A17
2. Align the A20 slot with C3 and push it inward until the plug is inserted into the socket



STEP 24

Side frame installation 3

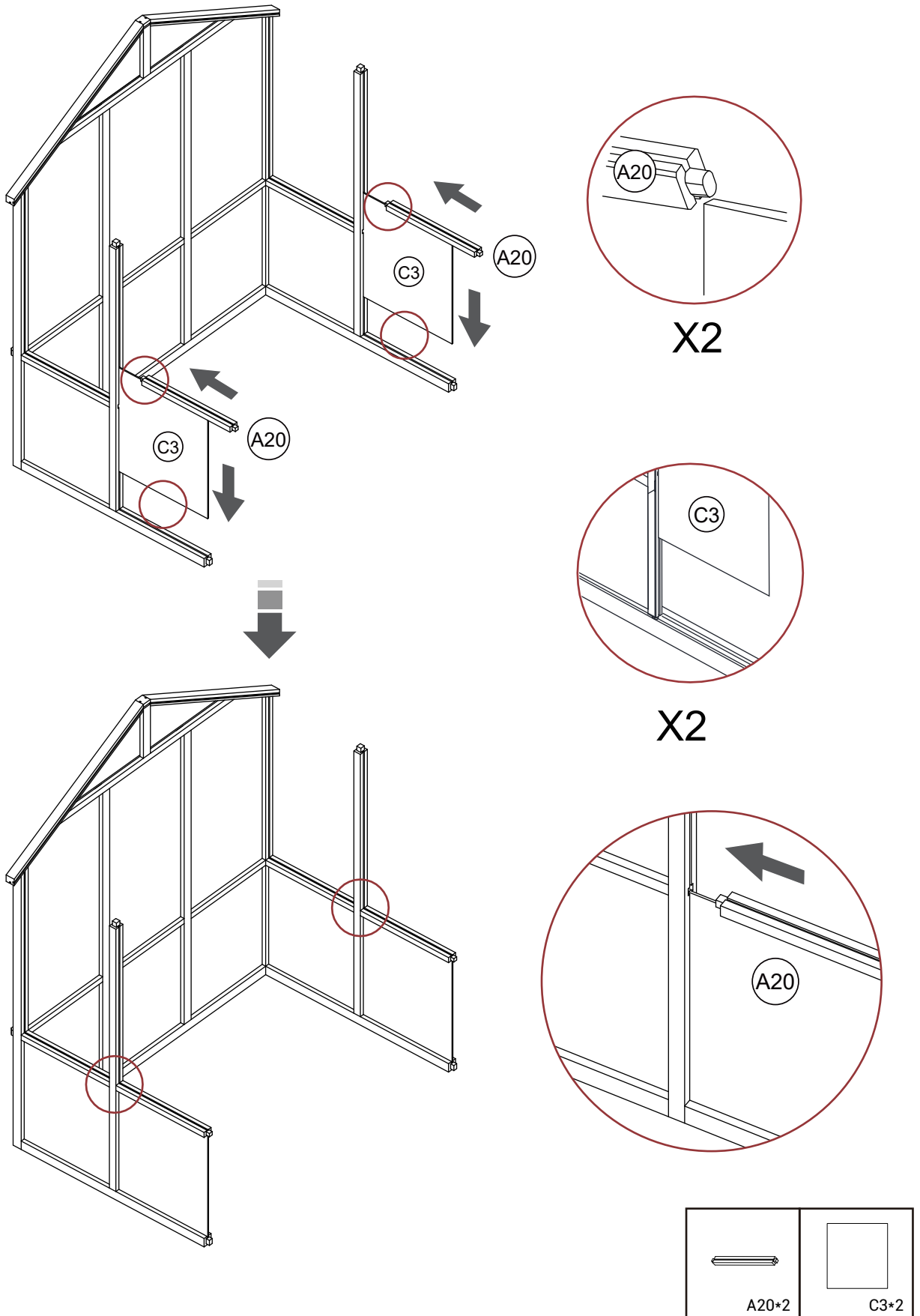
1. A18 is inserted downward into A17
2. Fix with E2



STEP 25

Side frame installation 4

1. Insert C3 into A17
2. Align the A20 slot with C3 and push it inward until the plug is inserted into the socket

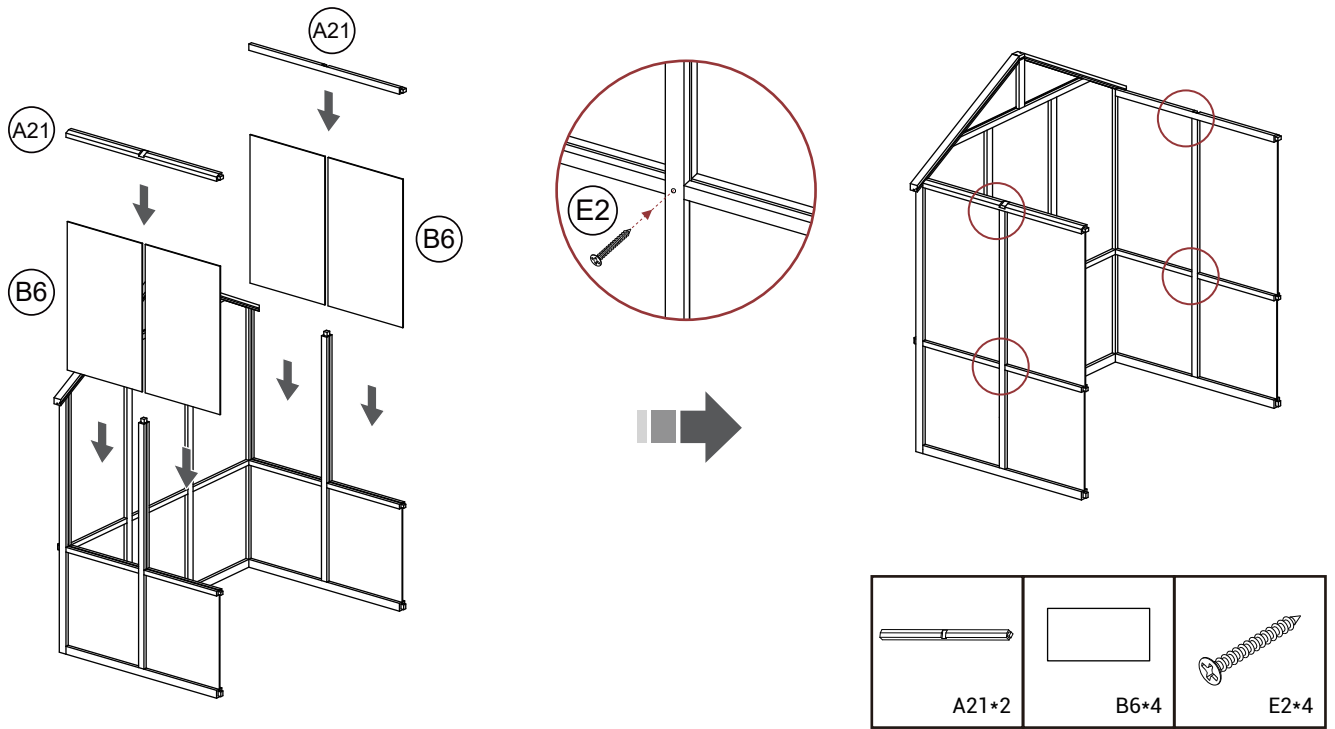


STEP 26

Side frame installation 5

1. Insert B6 and A21 into the side frame in order.

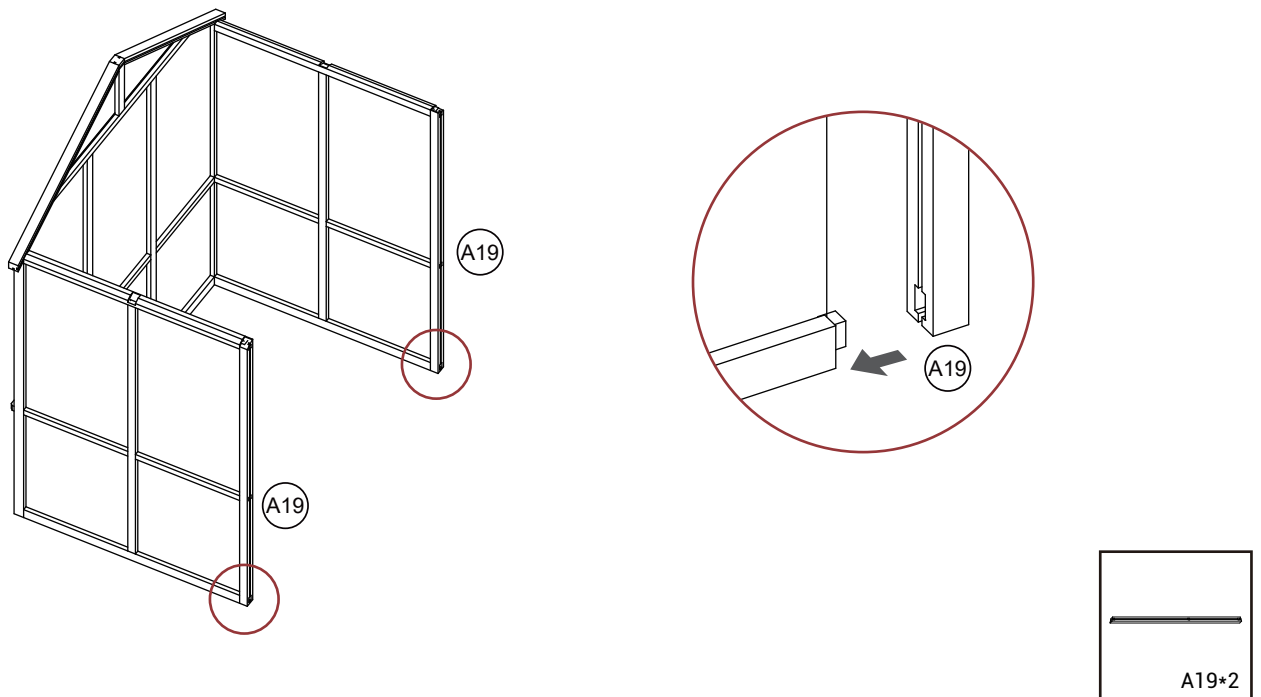
Note: Screw in from inside to outside



STEP 27

Side frame installation 6

1. A19 inserted into A17 and A21

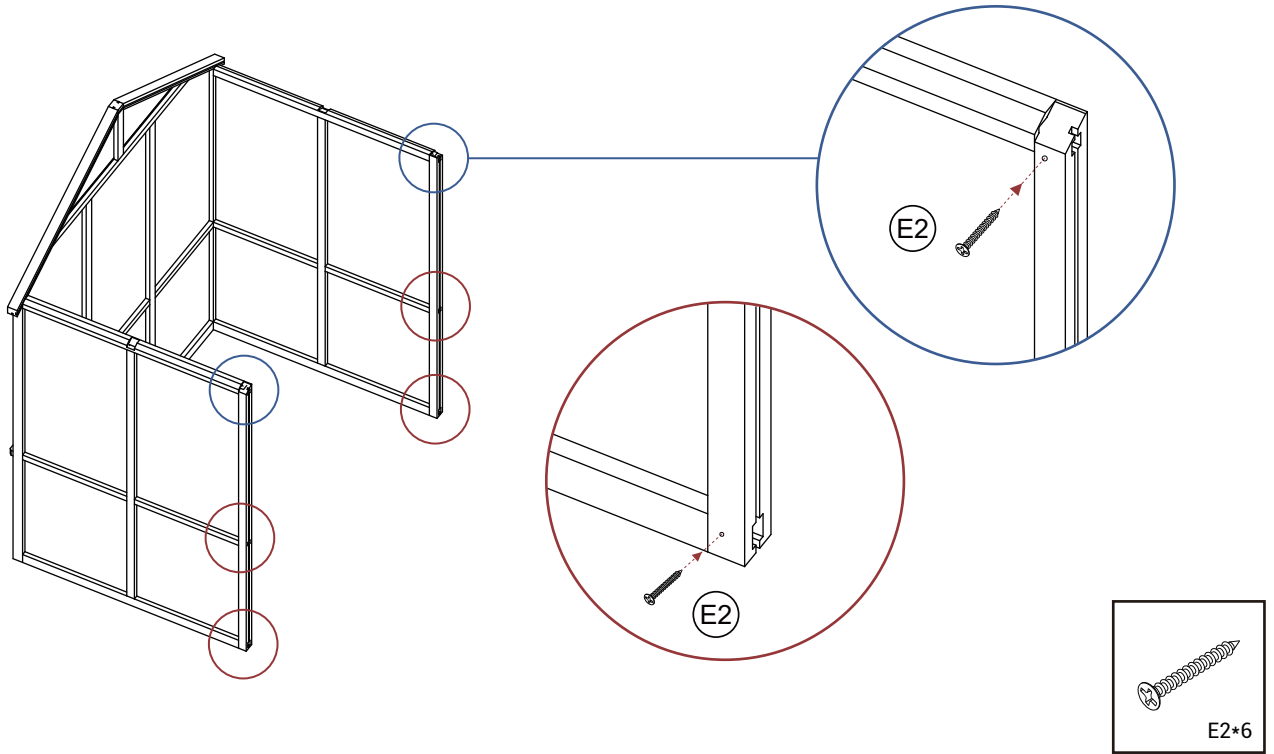


STEP 28

Side frame installation 7

1. Fix with E2

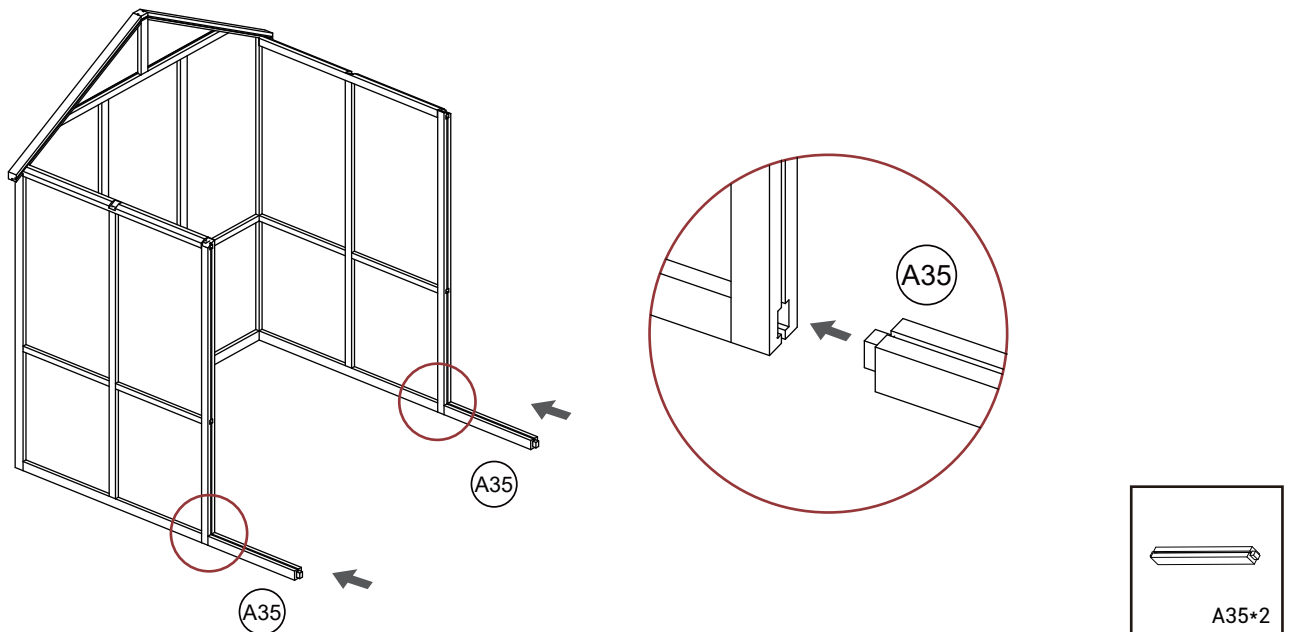
Note: Screw in from inside to outside



STEP 29

Side frame installation 8

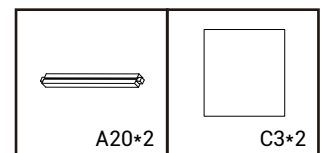
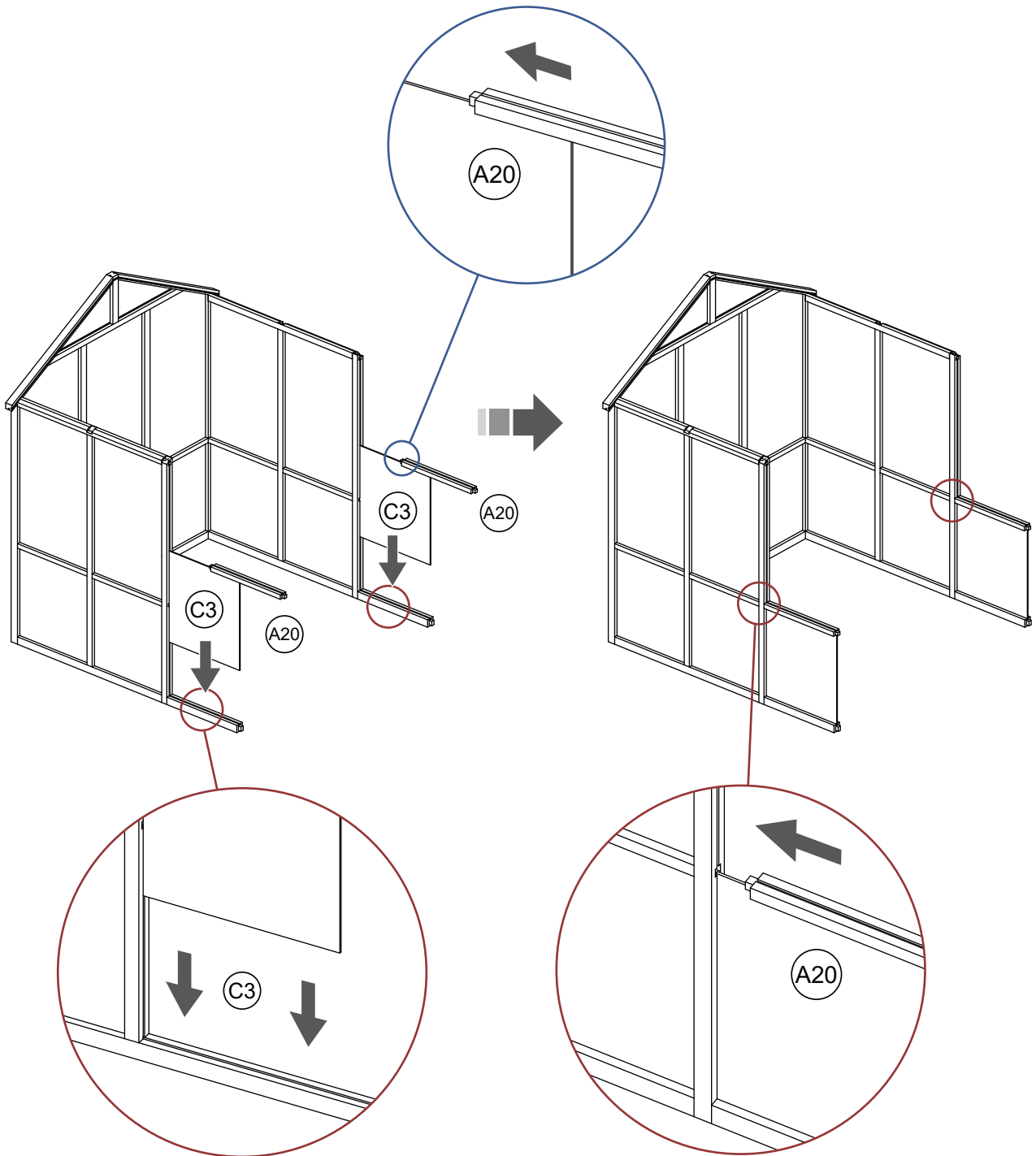
1. A35 is inserted into A19



STEP 30

Side frame installation 9

1. Insert C3 into A182, align A20 slot with C3 and push inward until the plug is inserted into the jack

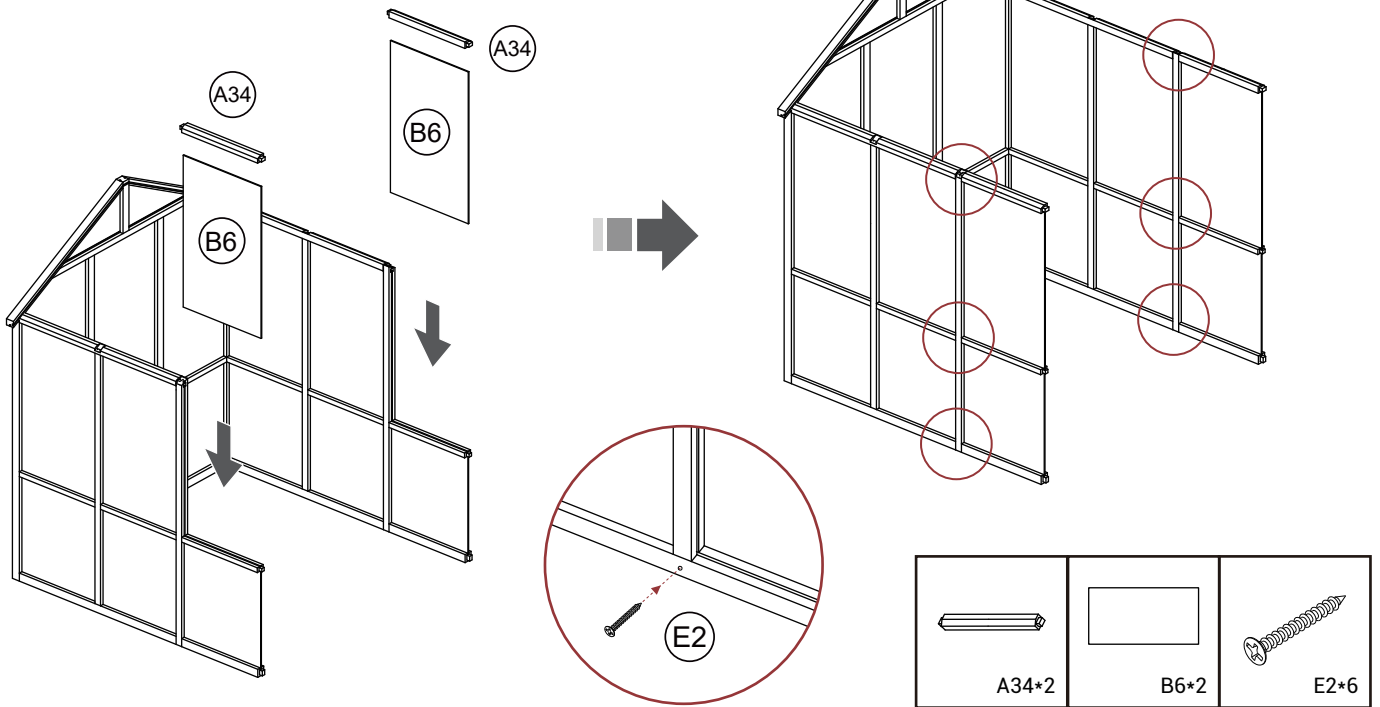


STEP 31

Side frame installation 10

1. Insert B6 and A34 into the side frame in order.
2. Fix with E2

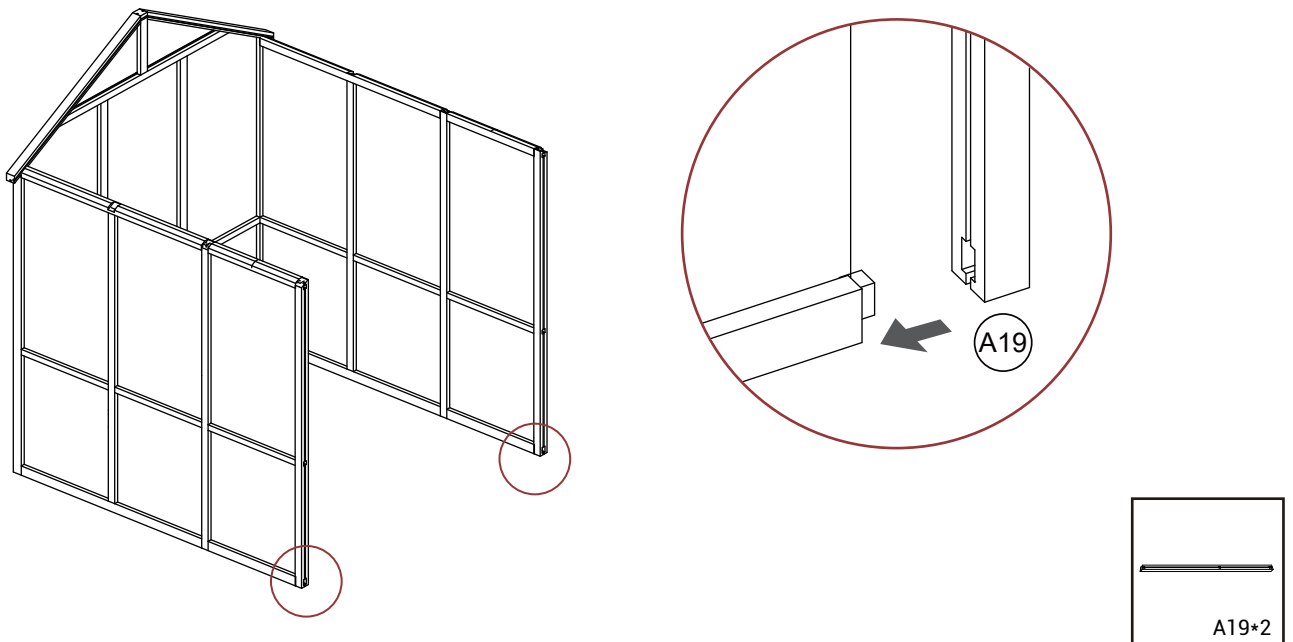
Note: Screw in from inside to outside



STEP 32

Side frame installation 11

1. A19 is inserted into A16

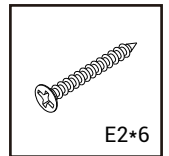
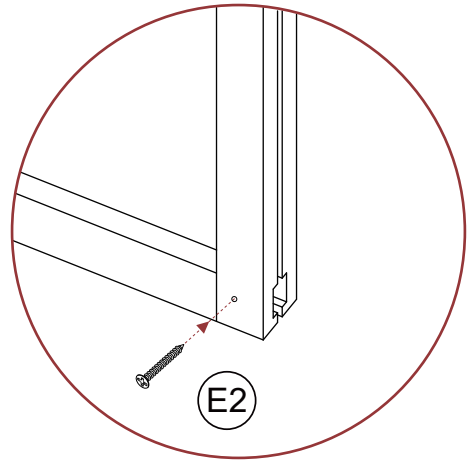
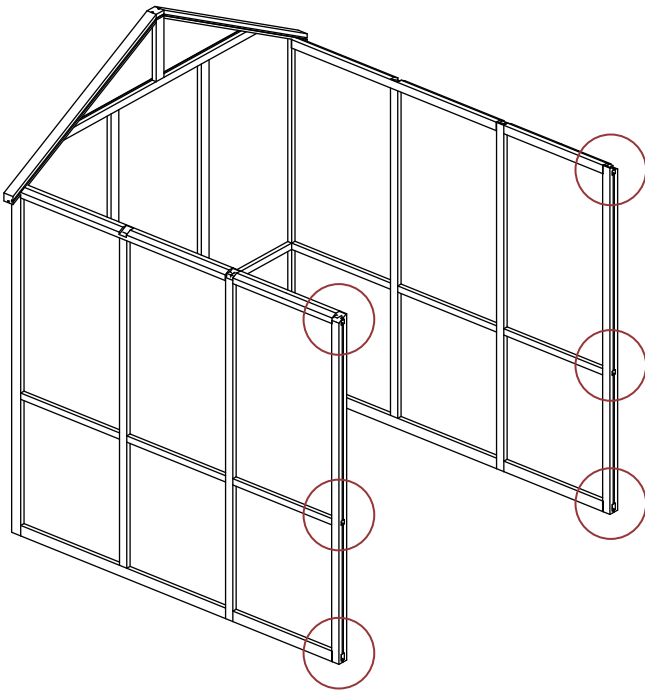


STEP 33

Side frame installation 12

1. Fix with E2

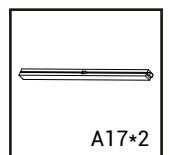
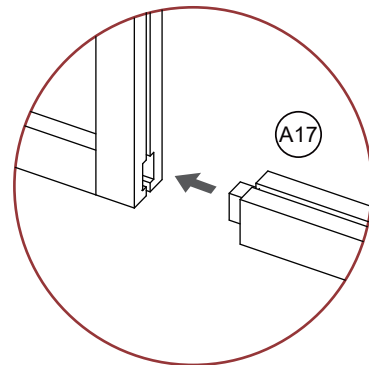
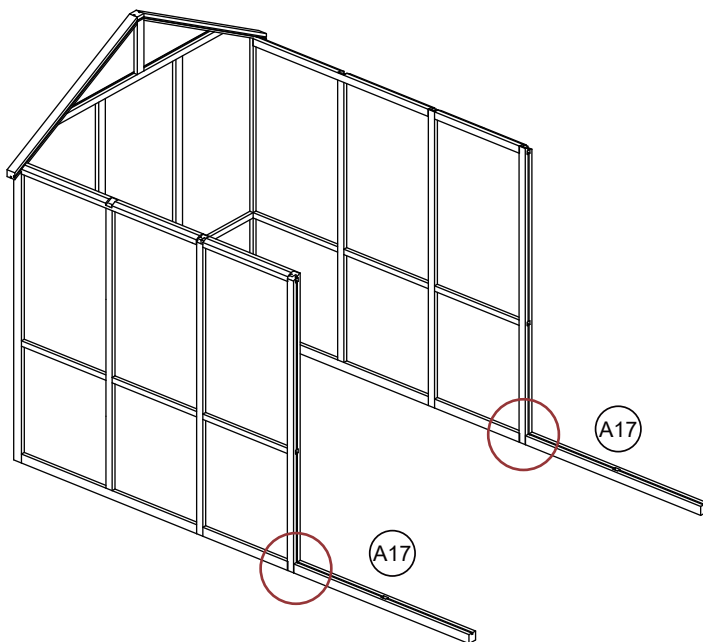
Note: Screw in from inside to outside



STEP 34

Side frame installation 13

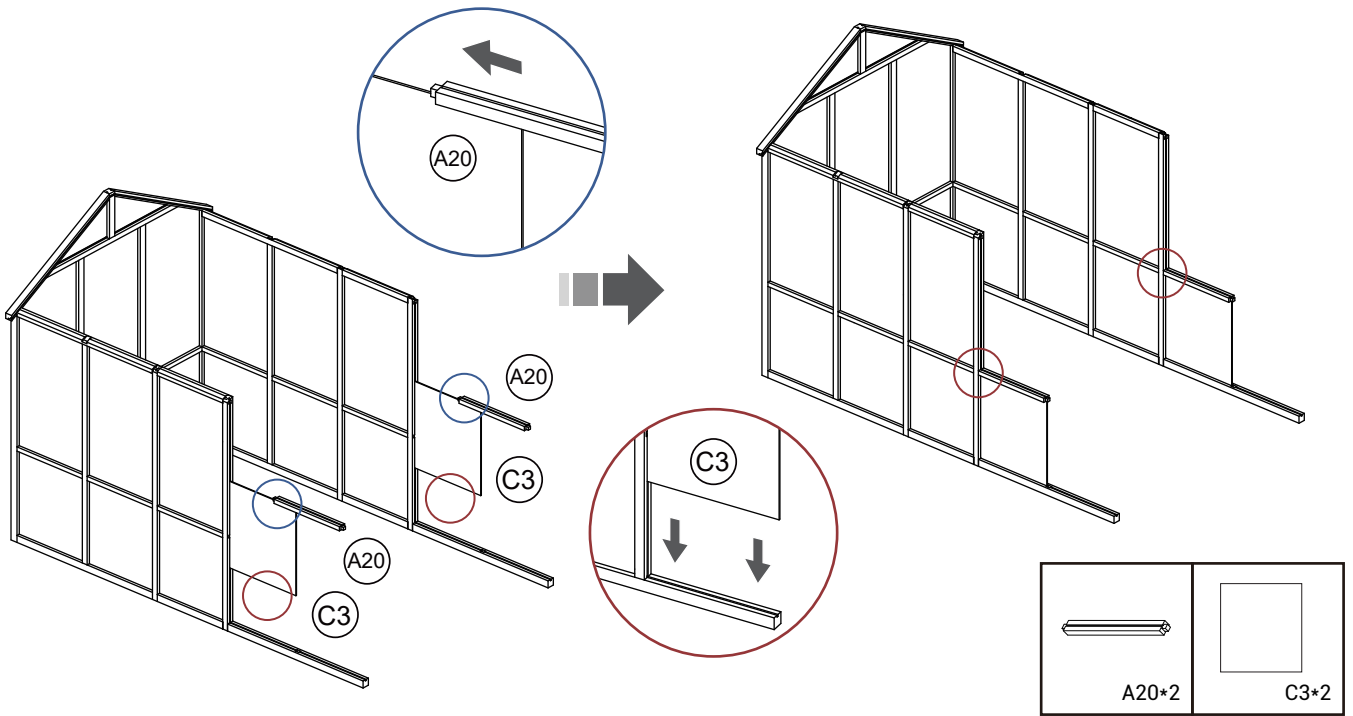
1. A17 is inserted into A19



STEP 35

Side frame installation 14

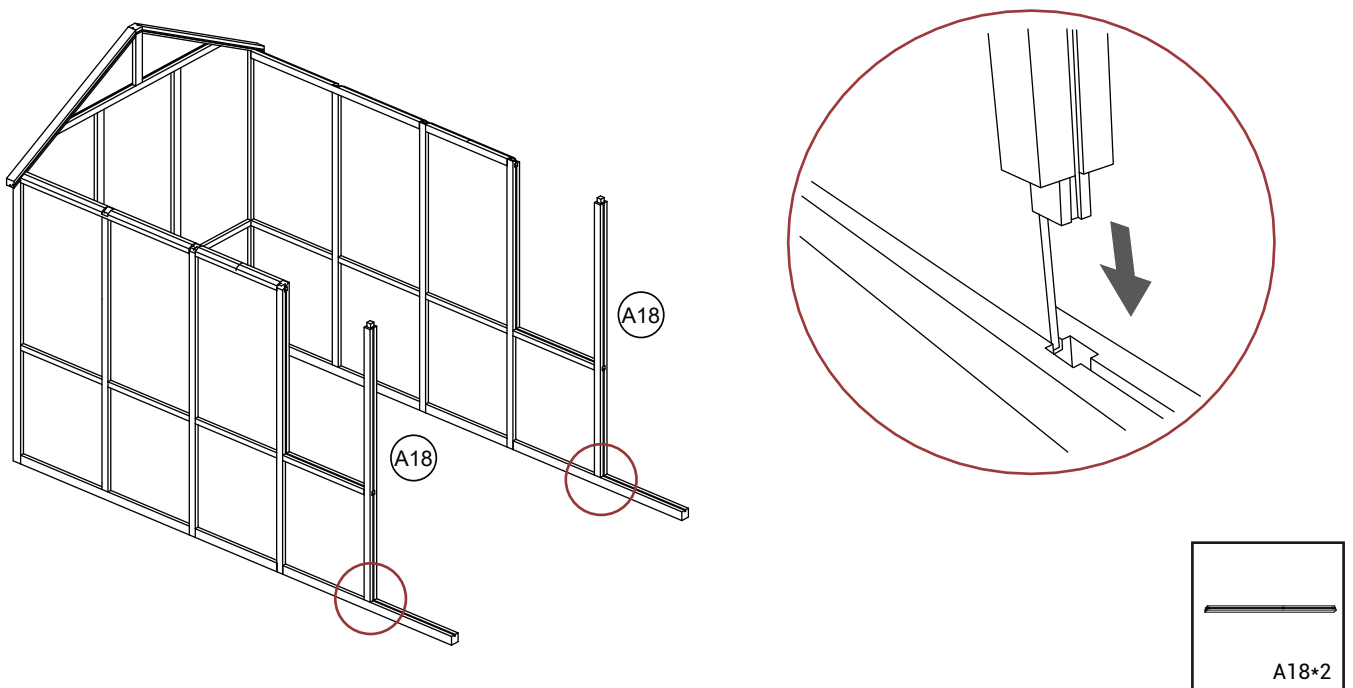
1. Insert C3 into A17
2. Align the A20 slot with C3 and push it inward until the plug is inserted into the socket



STEP 36

Side frame installation 15

1. A18 is inserted downward into A17

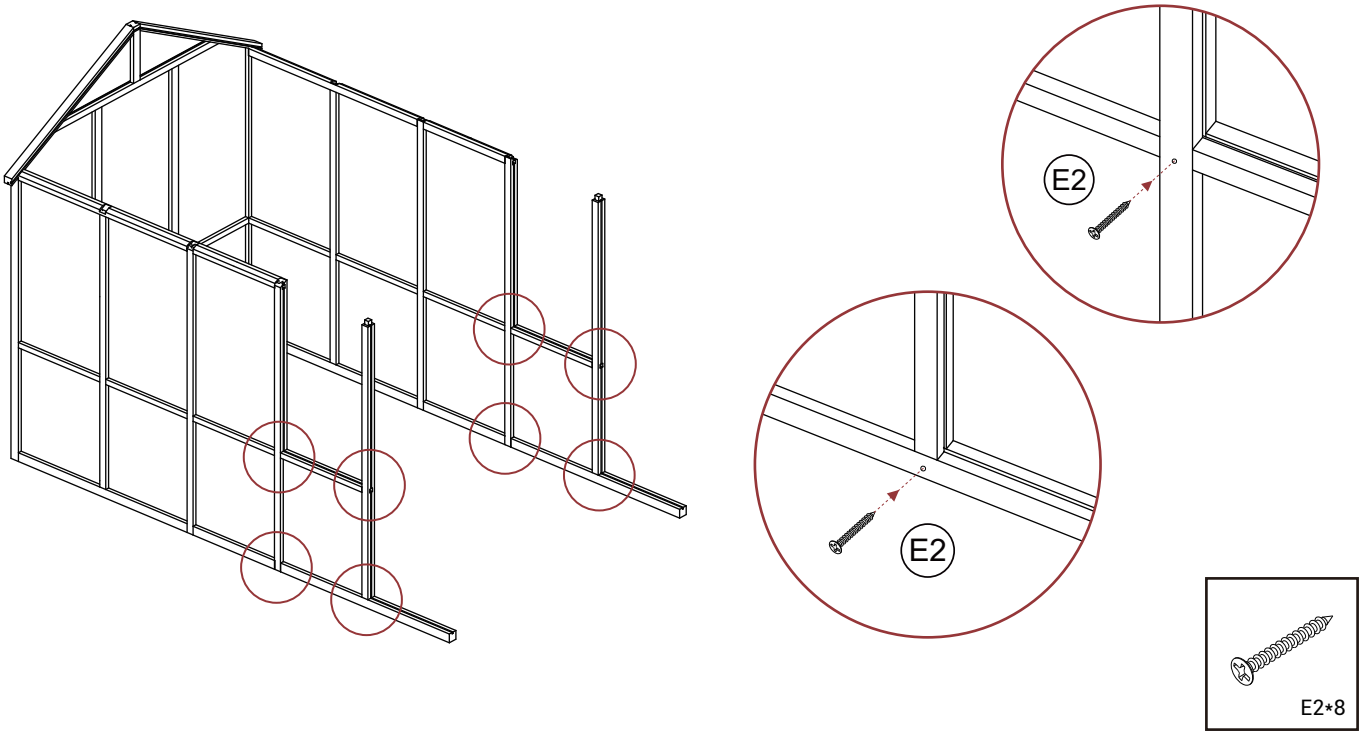


STEP 37

Side frame installation 16

1. Fix with E2

Note: Screw in from inside to outside

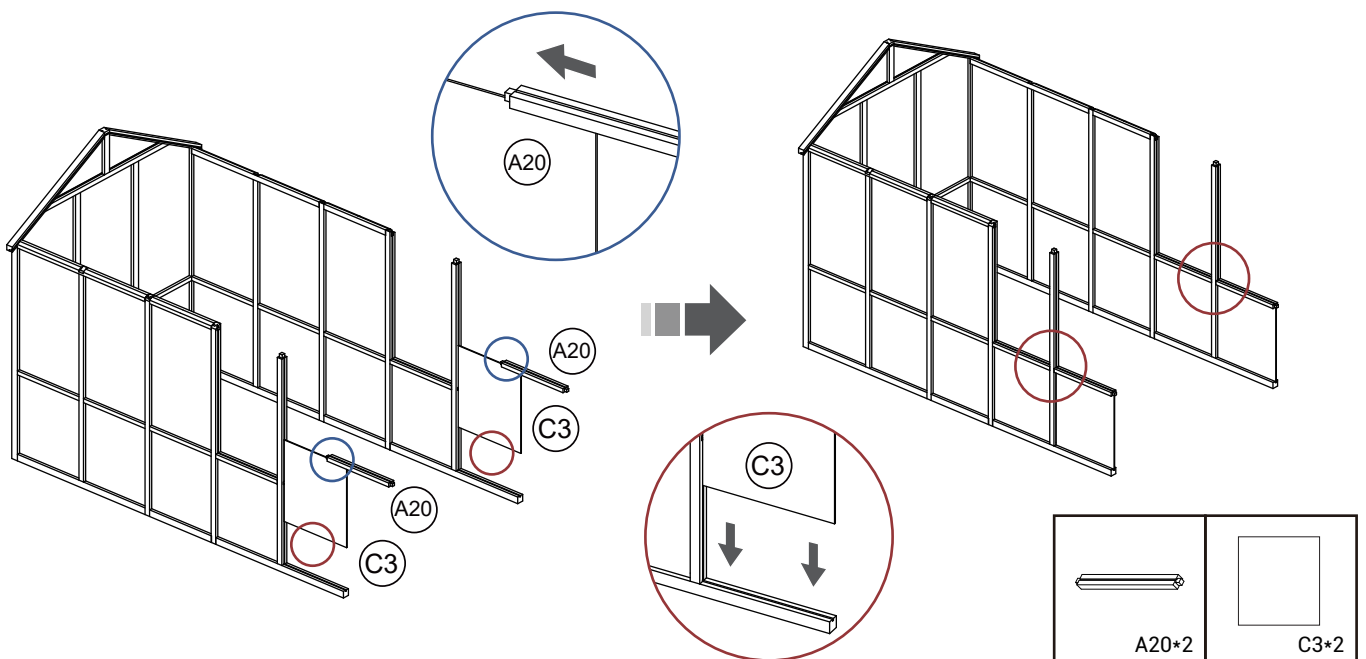


STEP 38

Side frame installation 17

1. Insert C3 into A17

2. Align the A20 slot with C3 and push it inward until the plug is inserted into the socket

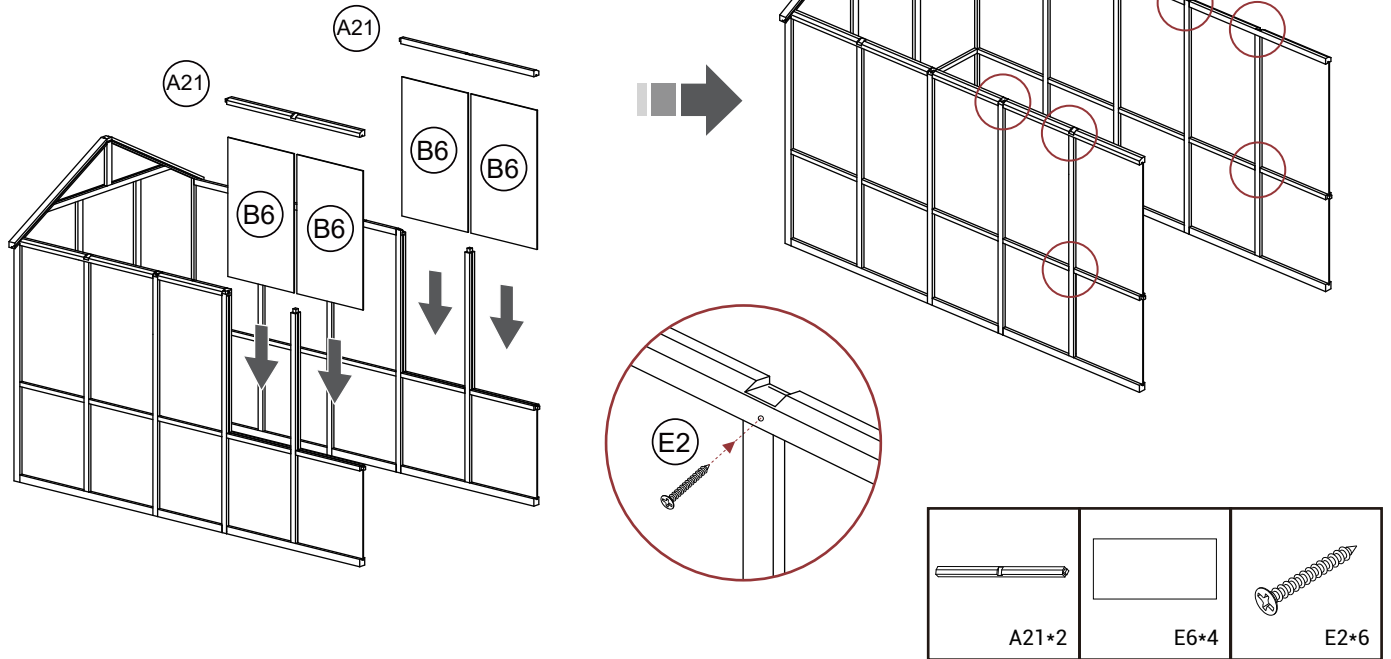


STEP 39

Side frame installation 18

1. Insert B6 and A21 into the side frame in order
2. Fix with E2

Note: Screw in from inside to outside

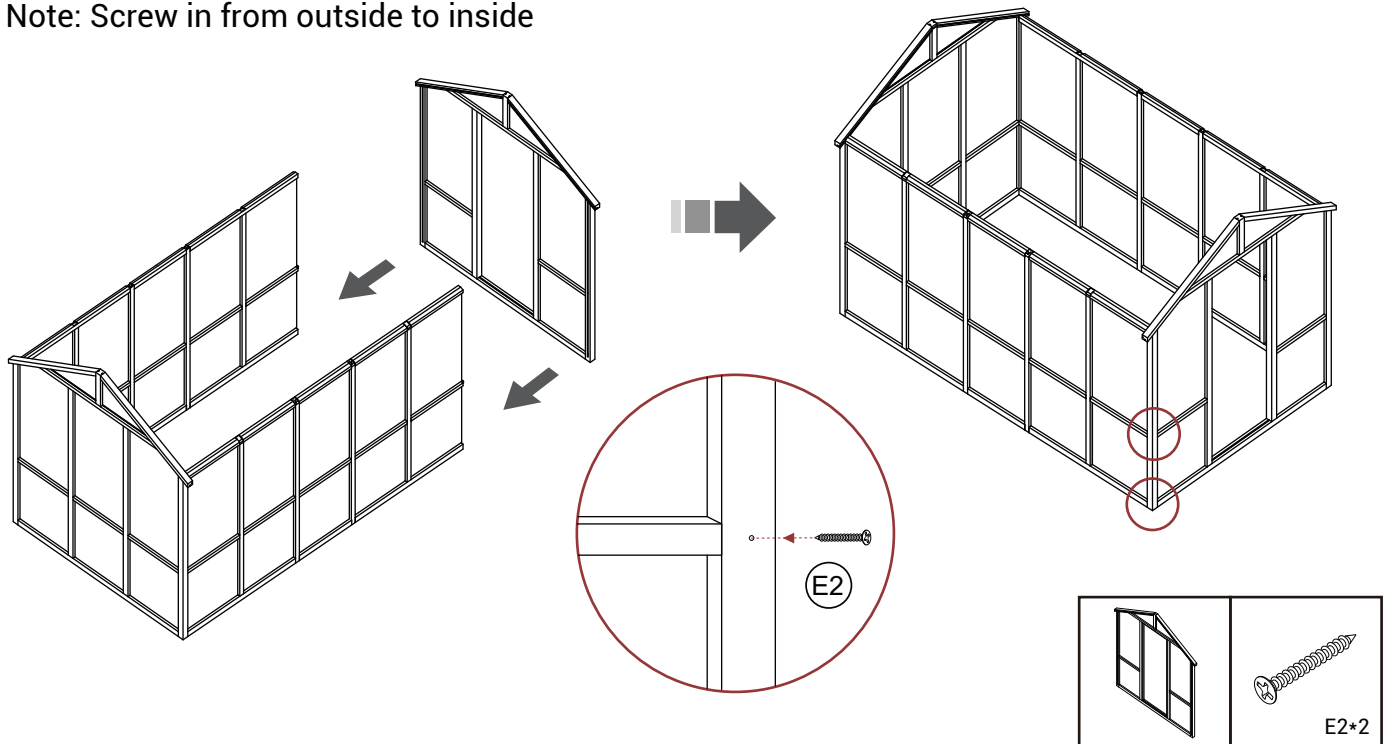


STEP 40

Side frame installation 19

1. Install the front frame
2. Fix with E2

Note: Screw in from outside to inside

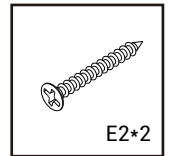
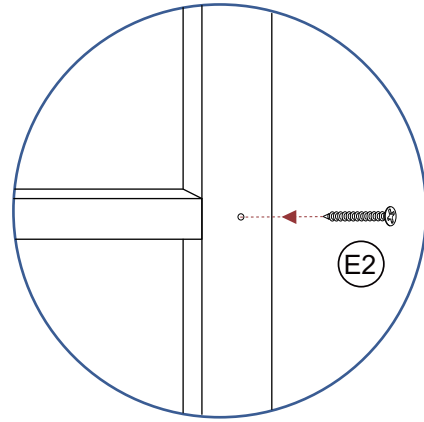
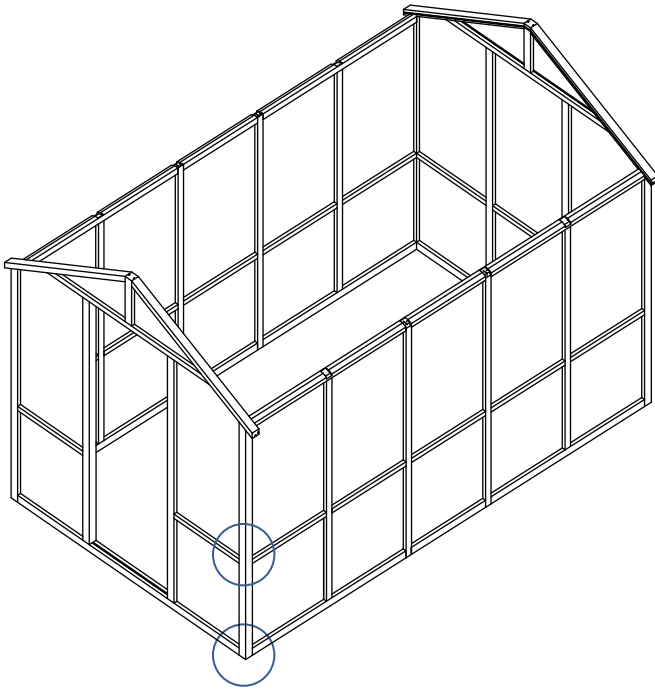


STEP 41

Side frame installation 20

1. Fix with E2

Note: Screw in from outside to inside

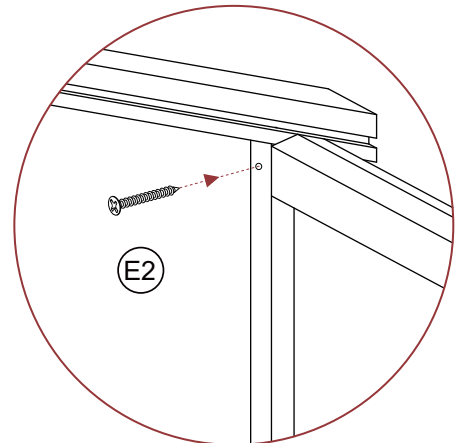
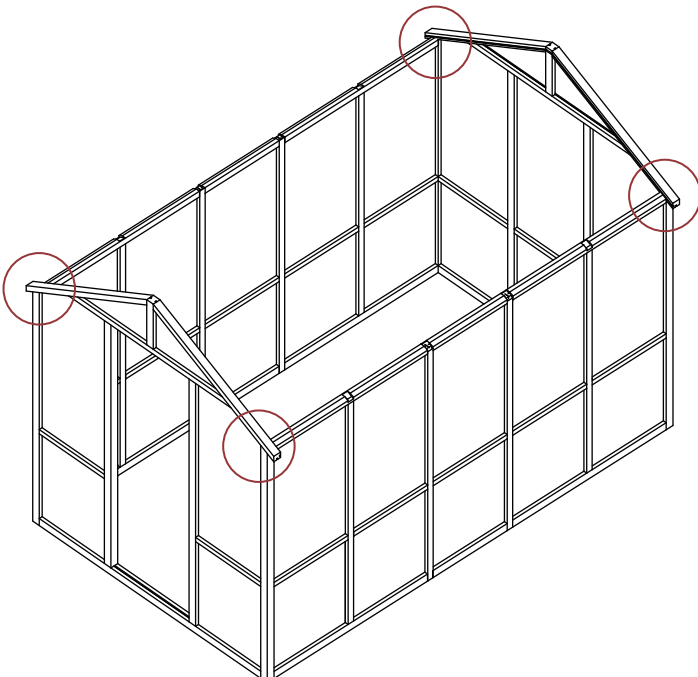


STEP 42

Side frame installation 21

1. Fix with E2

Note: Screw in from inside to outside

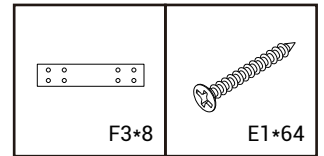
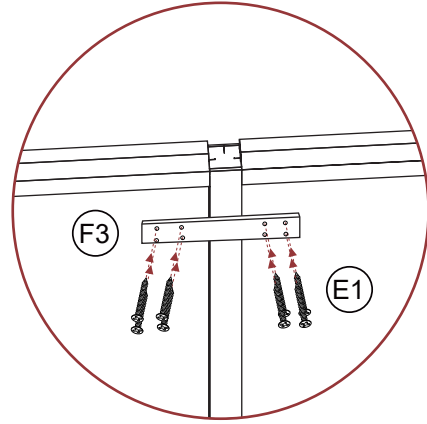
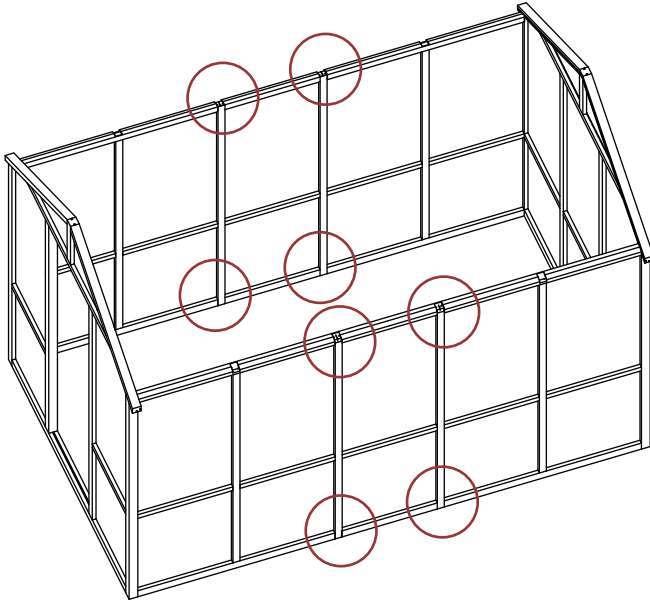


STEP 43

Side frame installation 22

1. F3 is placed at the connection between A22 and A22, and fixed with E1
2. F3 is placed at the connection between A17 and A18, and fixed with E1

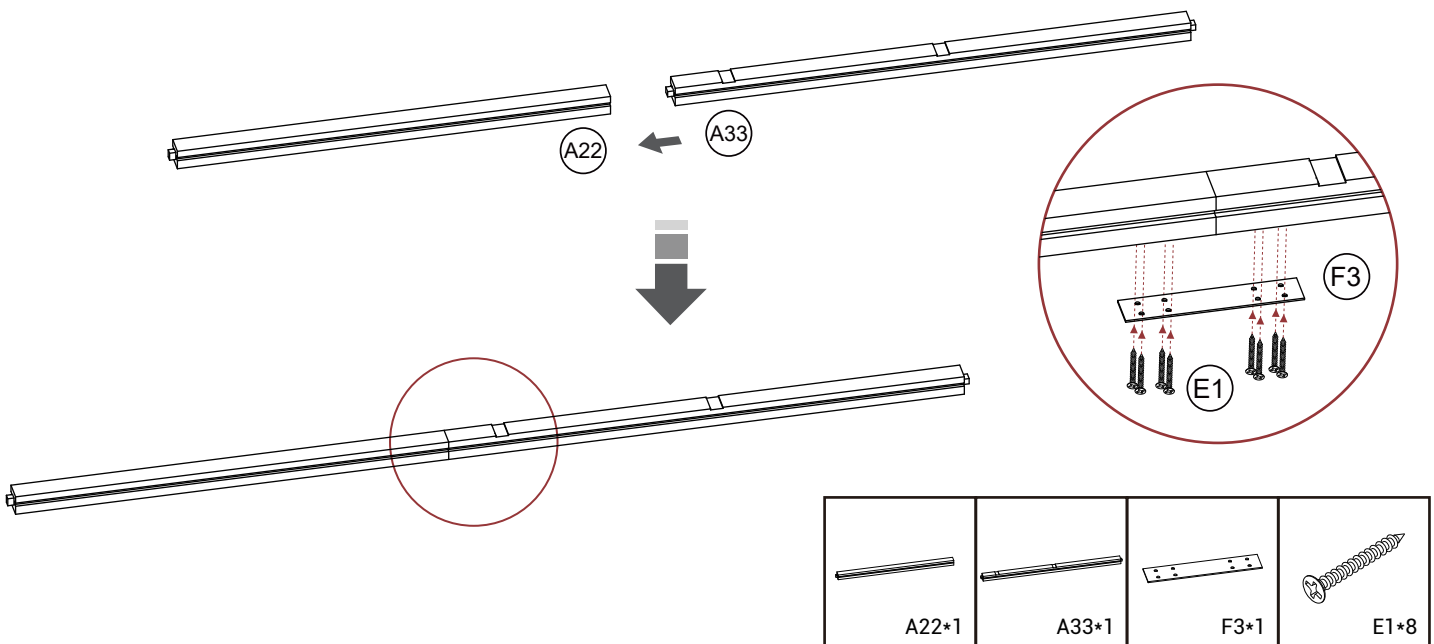
Note: All four F3s are fixed inside the greenhouse



STEP 44

Beam installation 1

1. Align the A22 plug with the A33 socket and connect them together
2. Fix them with F3 and E2 at the bottom of the crossbeam connection

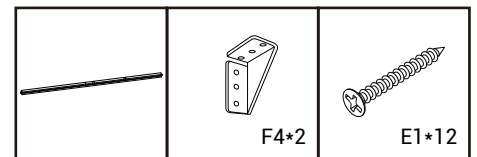
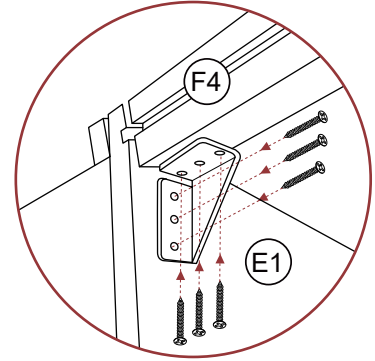
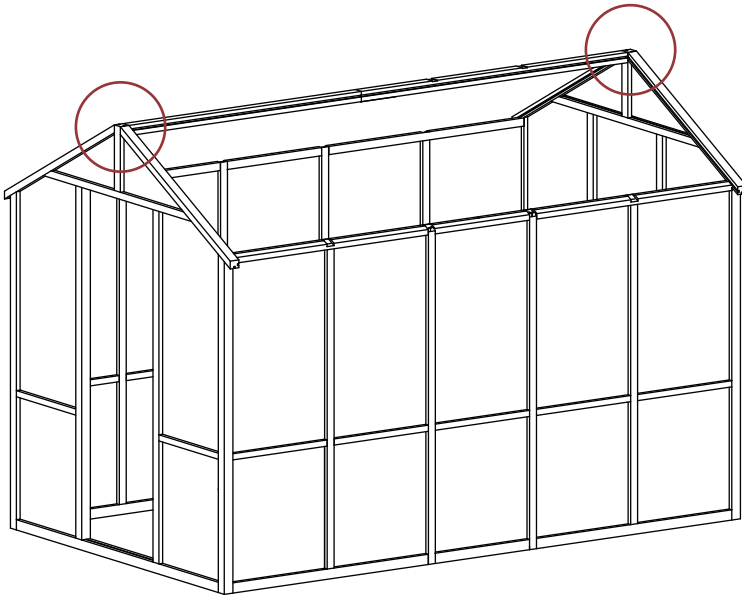


STEP 45

Beam installation 2

1. Place the assembled beam on the vertical support of the greenhouse
2. Use F4 to fix the beam and vertical support, Use E1 to fix

Note: Minor sagging of the A22/A33 crossbeam during installation is normal. This will fully resolve after securing the F6 unit in later steps

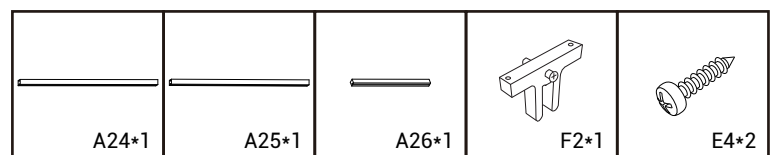
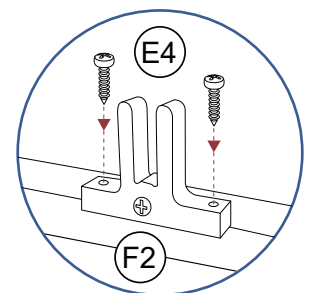
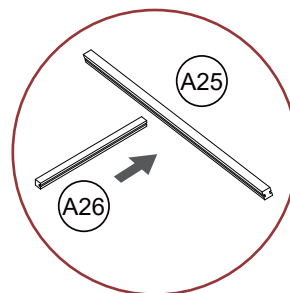
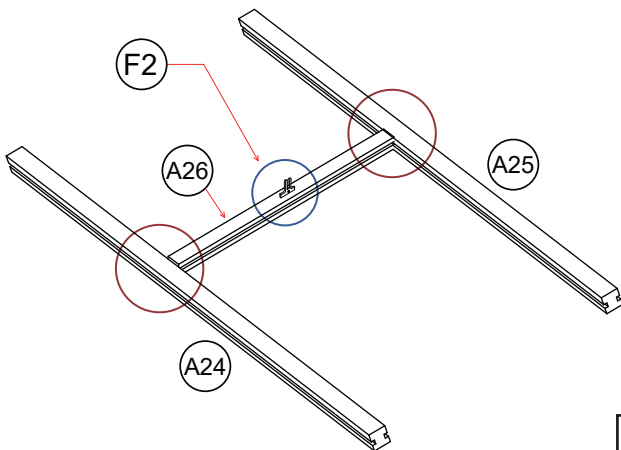


STEP 46

Installation of the sunroof frame 1

1. Insert A26 into the sockets of A24 and A23
2. Align A8 with A24 and A25 and insert
3. Fix F2 on A26 with E4

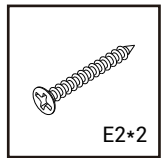
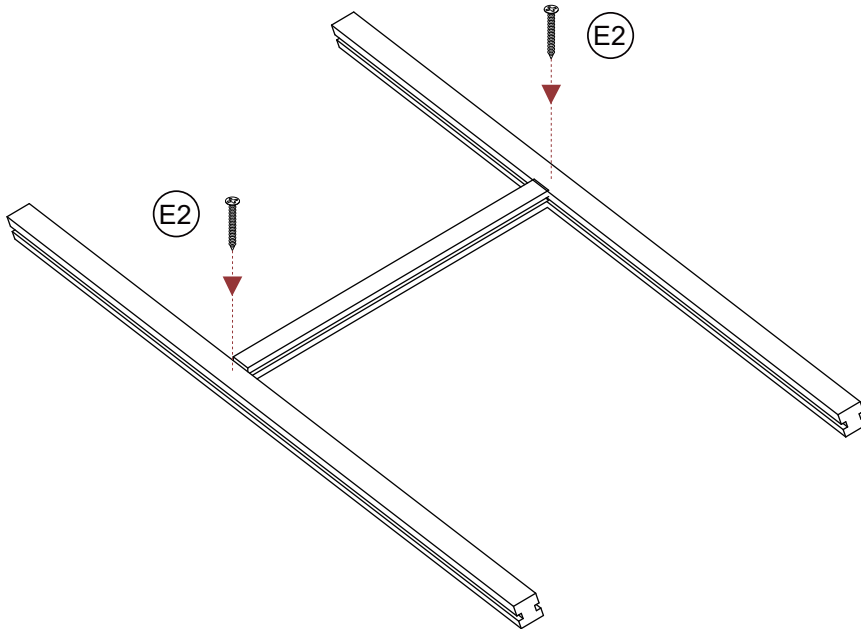
Note: Plastic part F2 is at the bottom



STEP 47

Installation of the sunroof frame 2

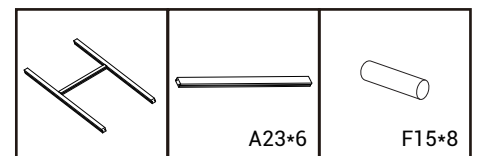
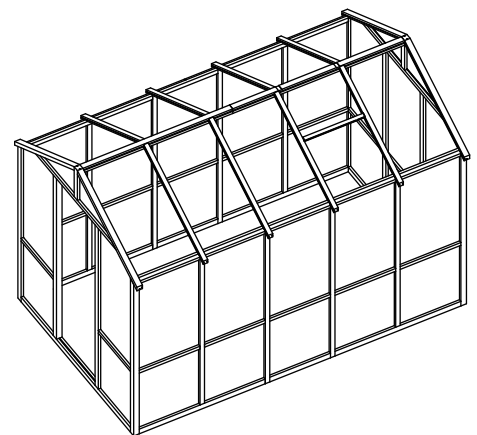
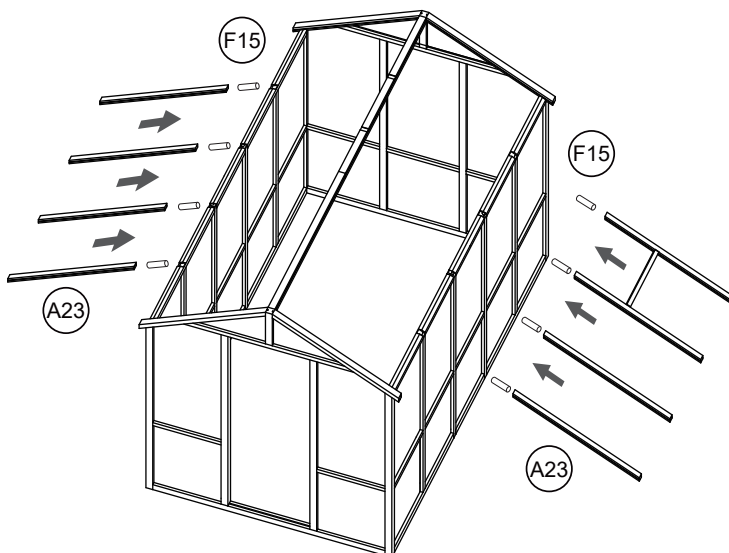
1. E2 fixes the skylight frame



STEP 48

Installation of diagonal braces and skylight frame

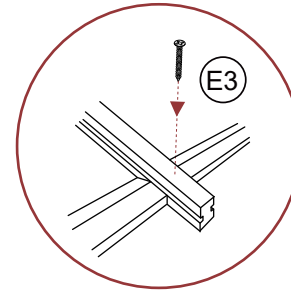
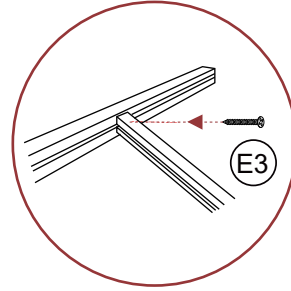
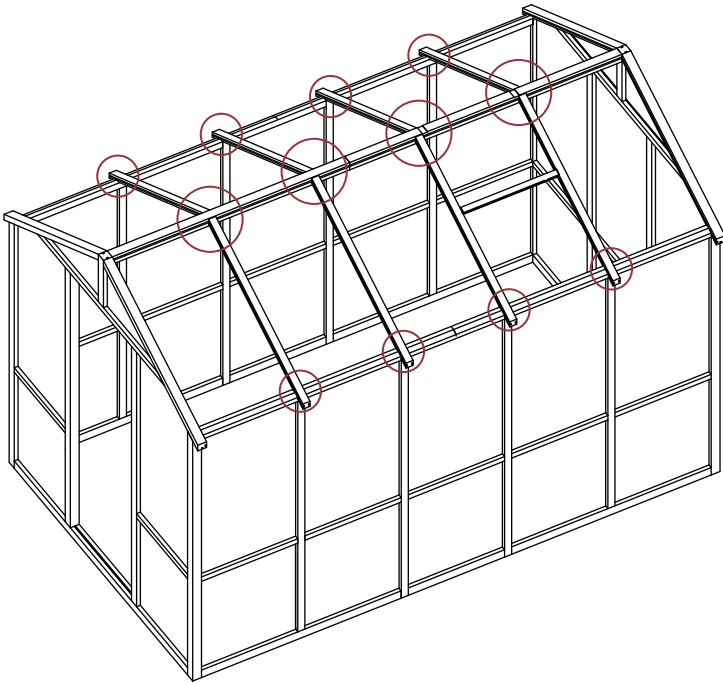
1. Insert F15 into the crossbeam
2. Put the sunroof frame into the crossbeam
3. Put A23 into the crossbeam



STEP 49

Fix the diagonal brace and skylight frame

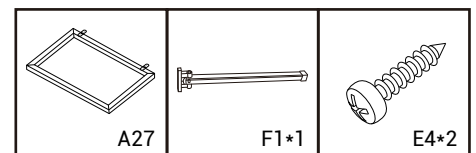
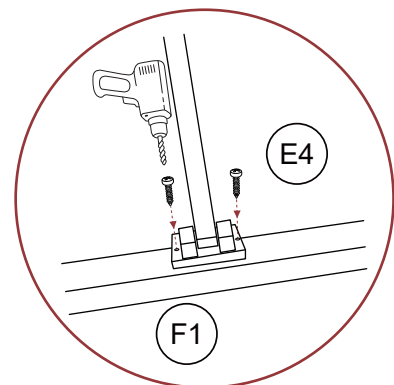
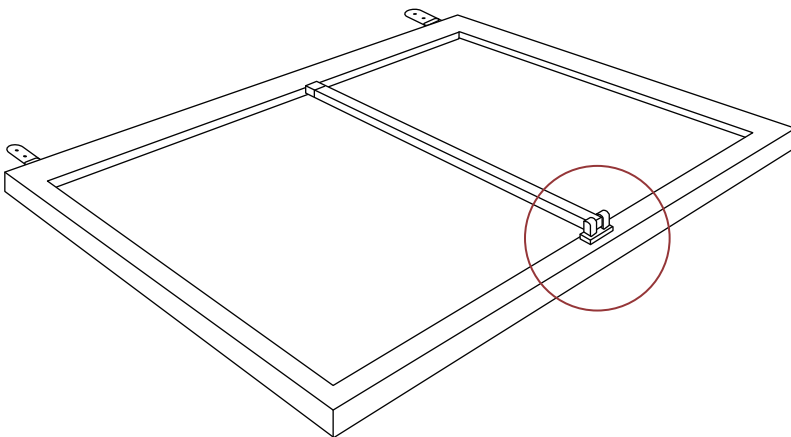
1. Use an electric drill to drive E3 into the position shown in the figure



STEP 50

Skylight installation

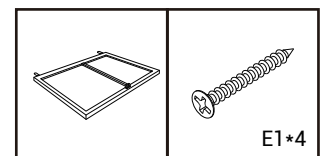
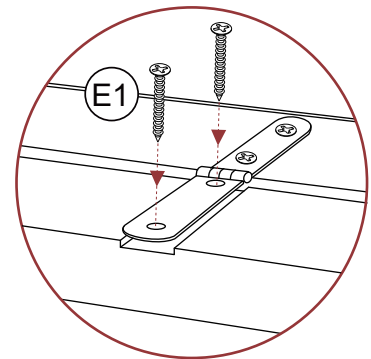
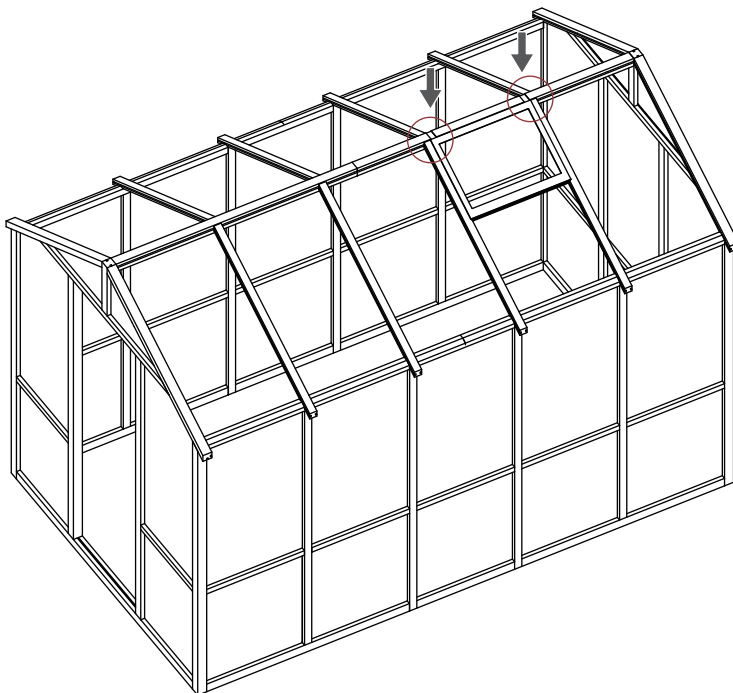
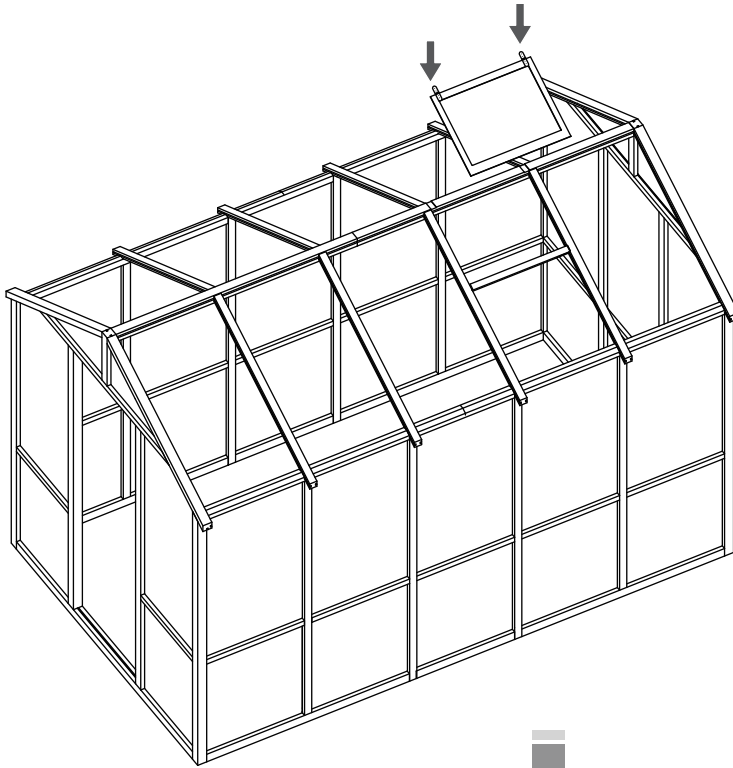
1. Use E4 to fix F1 on the back of the skylight



STEP 51

Skylight installation

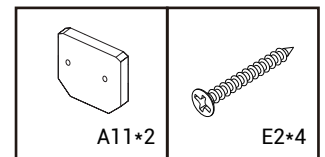
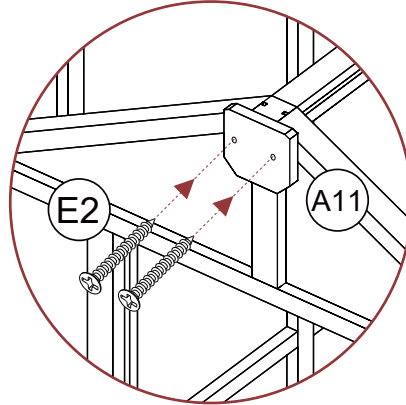
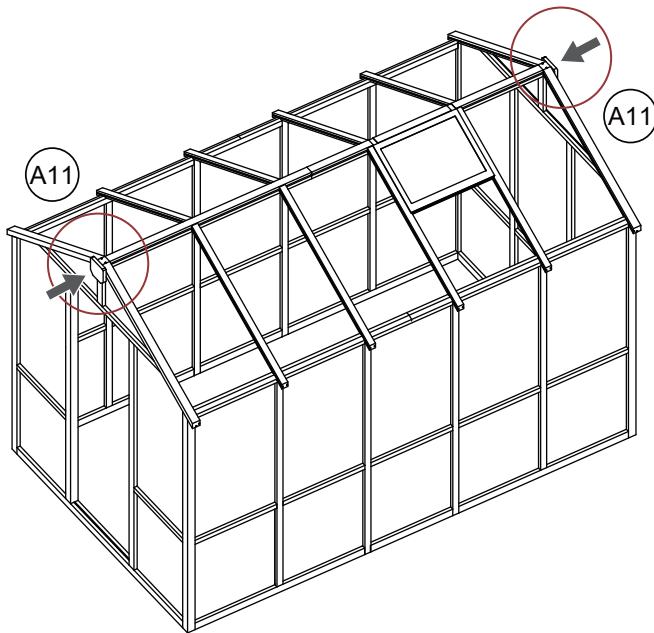
1. Place the installed skylight on the greenhouse
2. Align F10 on the skylight with the beam and use an electric drill to drill E1 into the F10 hole



STEP 52

Installation of front and rear frame trims

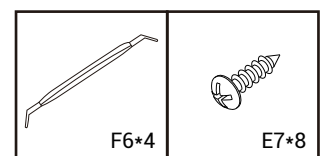
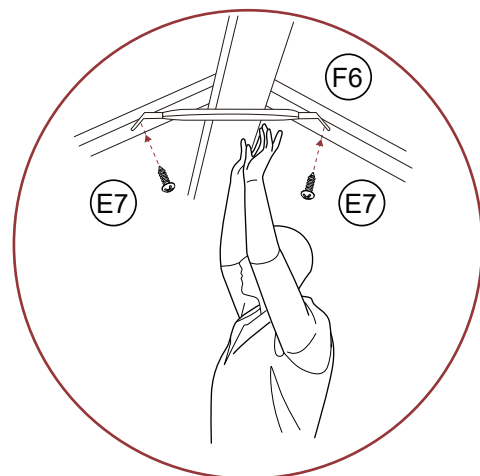
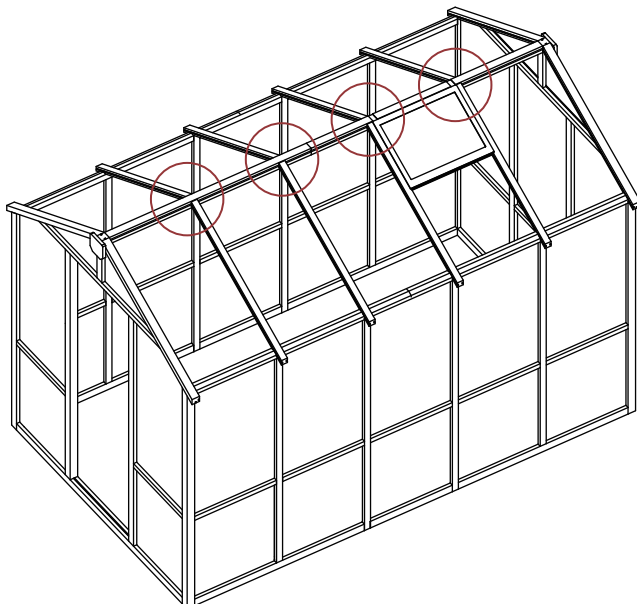
1. Place A11 on the front and rear frames of the greenhouse as shown in the figure
2. Use an electric drill to drive E2 in and secure it



STEP 53

Roof cover installation

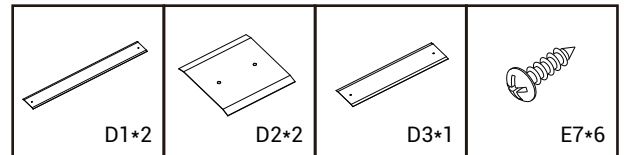
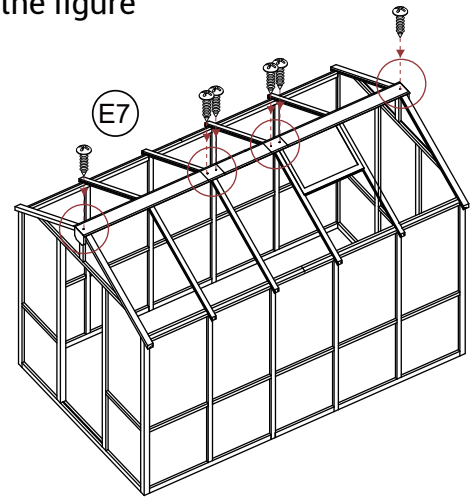
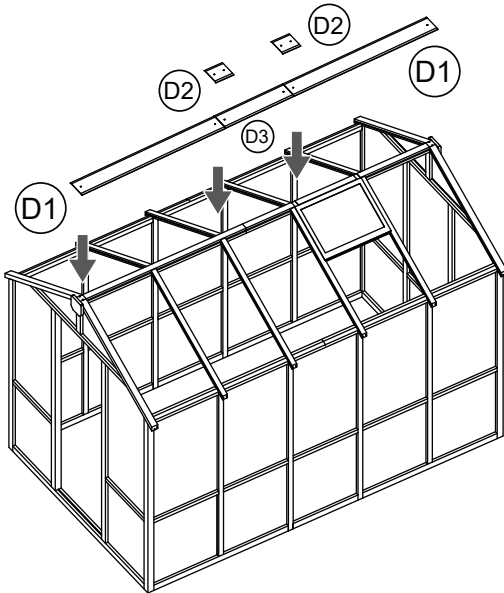
1. Place F6 under A22/A33 in the greenhouse
2. Fix F6 with E7
3. A slight upward push can ensure that the F6 has a stable triangular structure after installation



STEP 54

Installation of roof cover

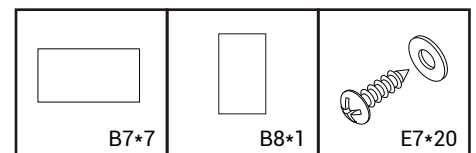
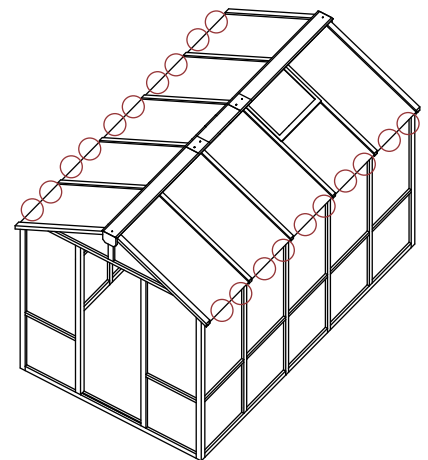
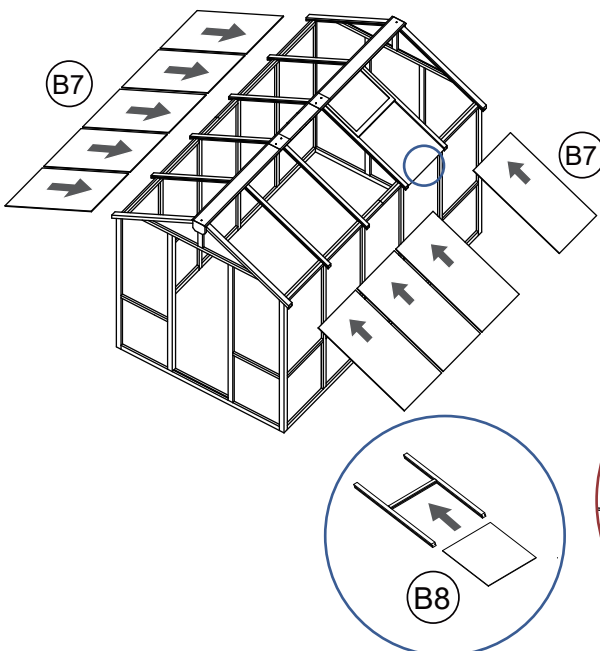
1. Place D1 and D3 over the beam and cover it
2. Place D2 over D1 and D3
3. Use an electric drill to drive E7 into the position shown in the figure



STEP 55

Install the transparent roof panel

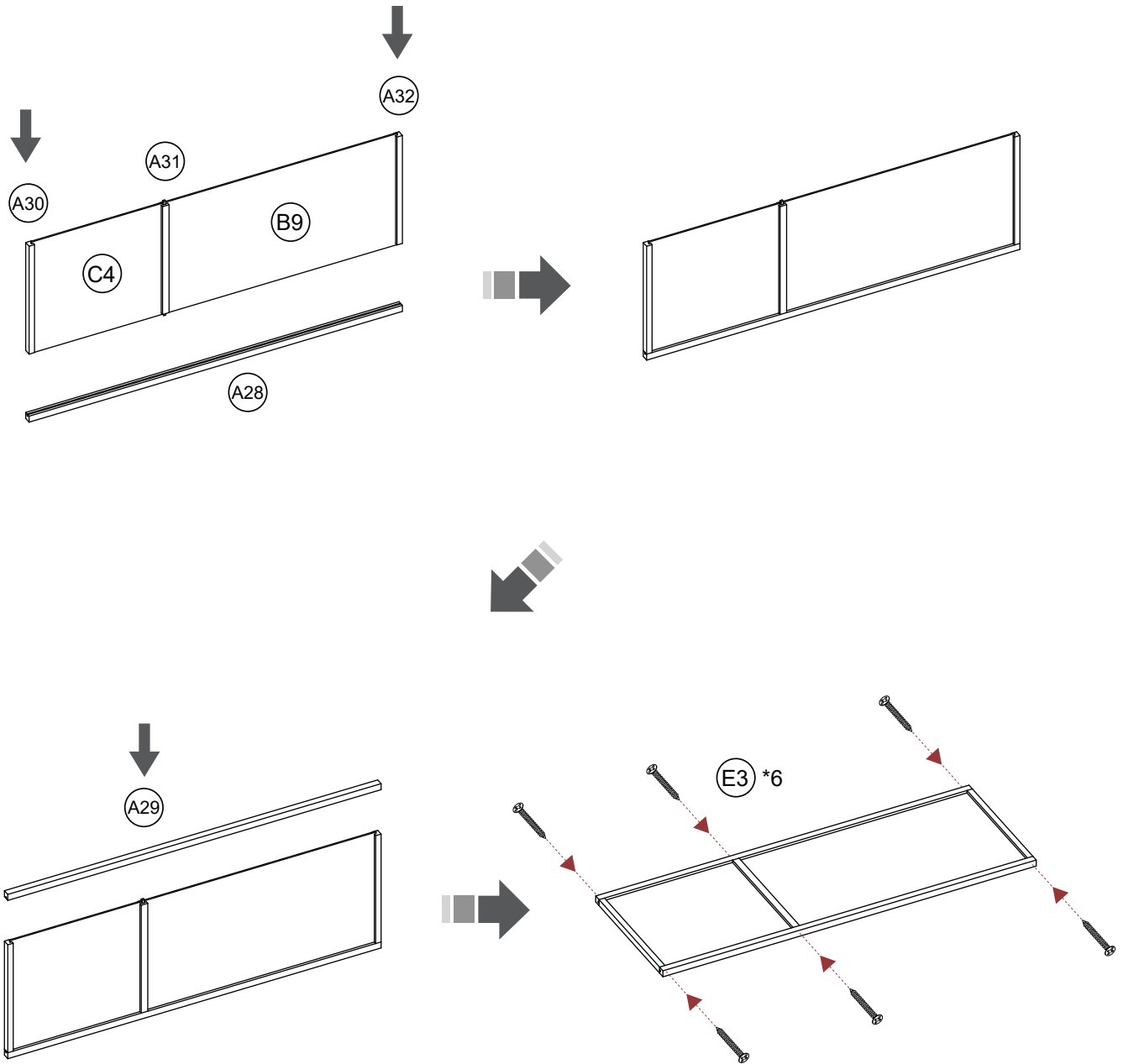
1. Insert B7/B8 into the roof beam groove/skylight crossbar groove until it reaches the bottom of the groove
2. Screw E7 into the position shown in the picture (E7 is eventually locked on the A21 board)






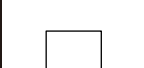

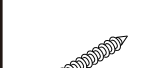


STEP 56

Install the door

1. Insert A30, C4, A31, B9, A32 into A28 in sequence
2. Insert A29
3. Secure with E2

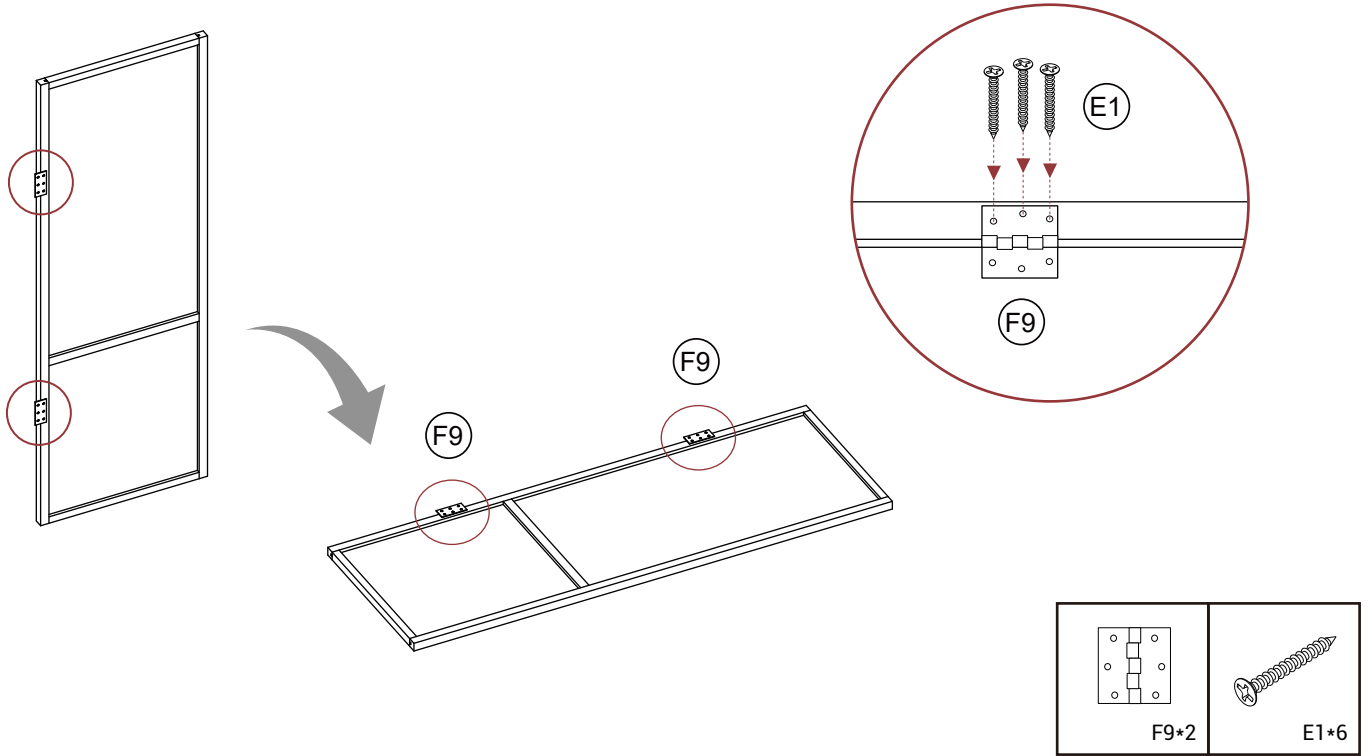


							
A28*1	A29*1	A30*1	A31*1	A32*1	C4*1	B9*1	E3*6

STEP 57

Install door hinges

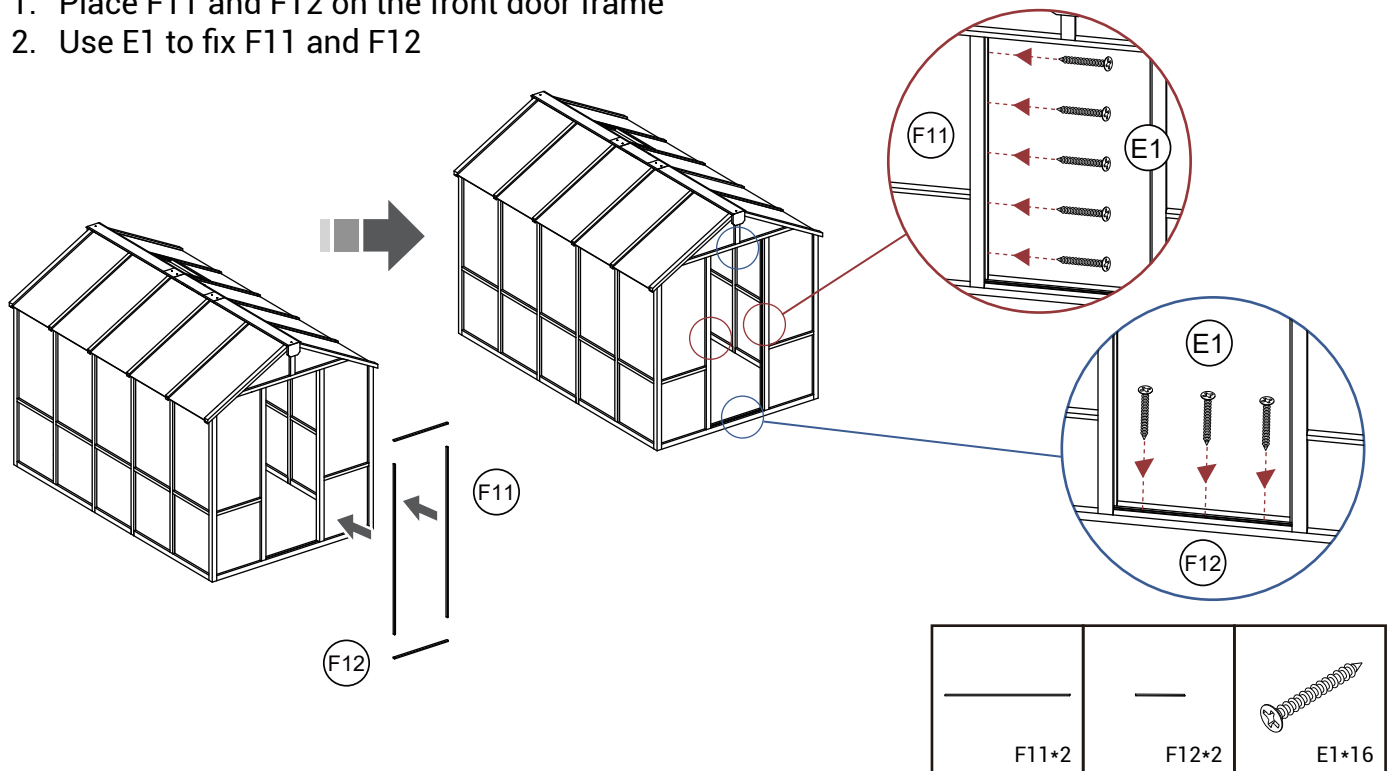
1. Fix F9 to the left side of the door with E1



STEP 58

Install the door sticker

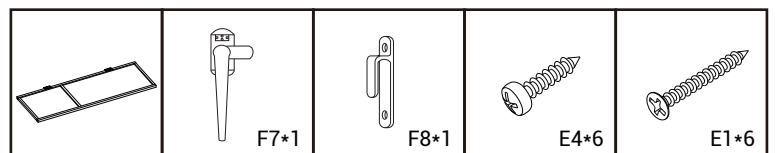
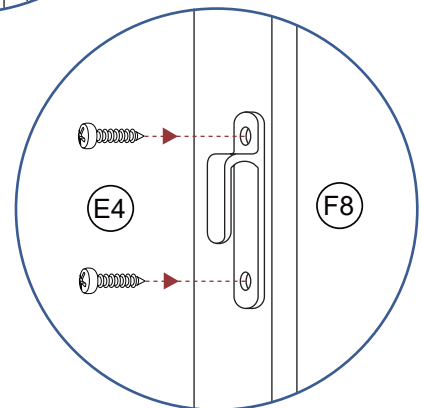
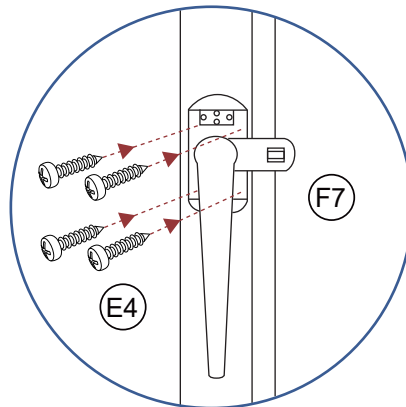
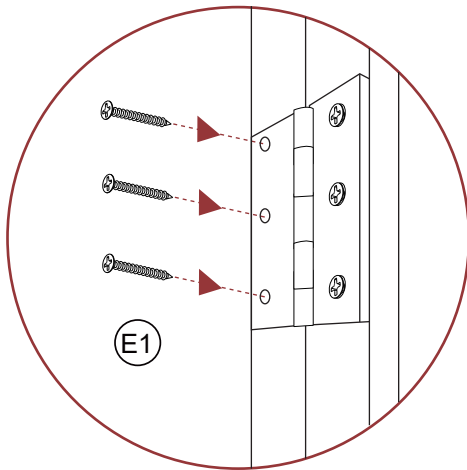
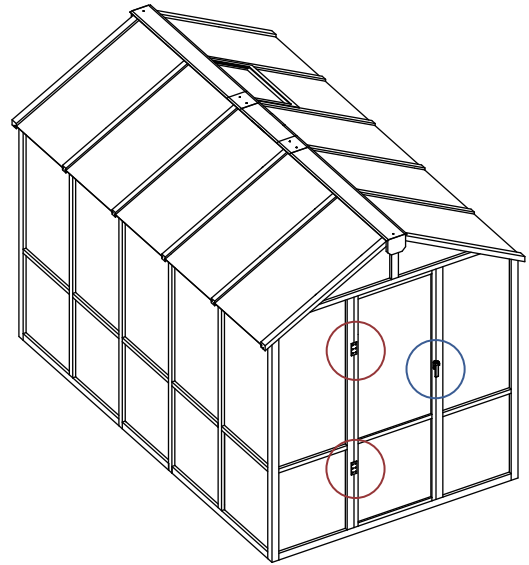
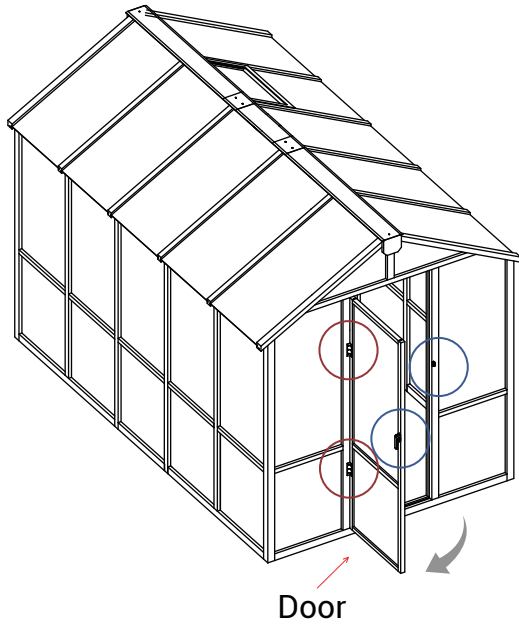
1. Place F11 and F12 on the front door frame
2. Use E1 to fix F11 and F12



STEP 59

Install the door

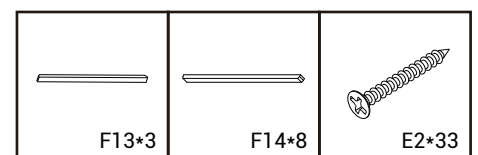
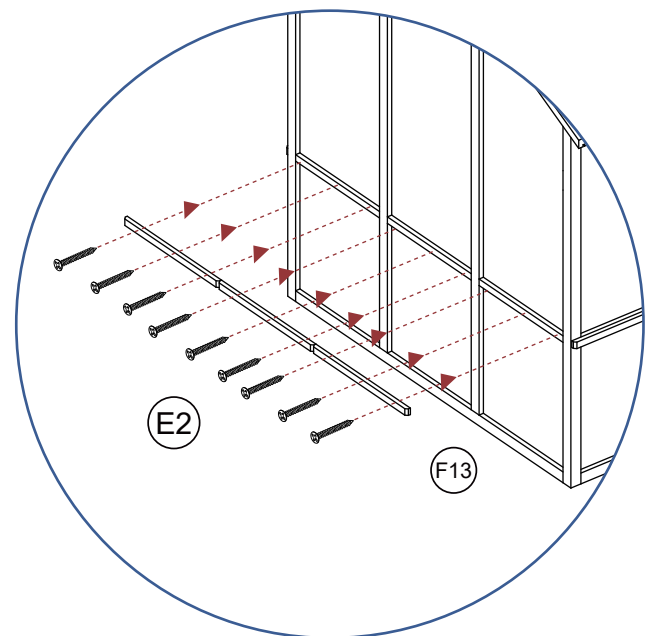
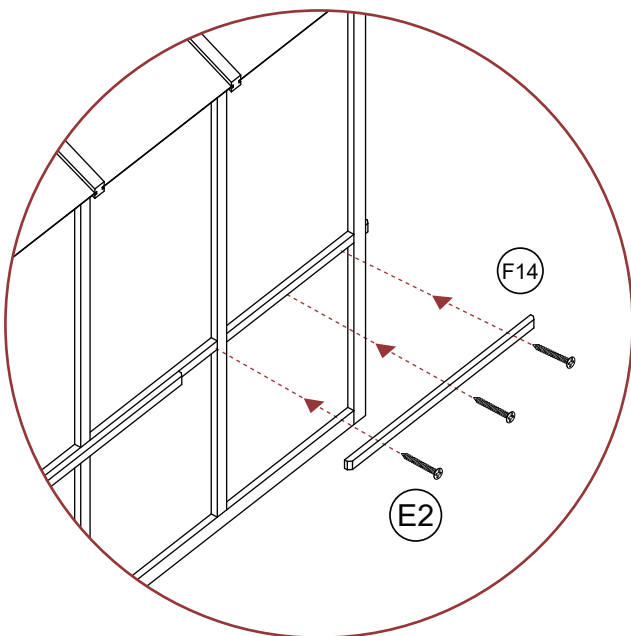
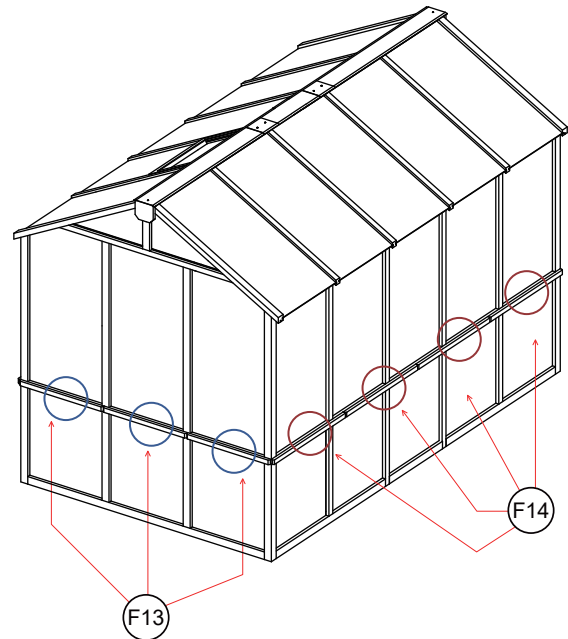
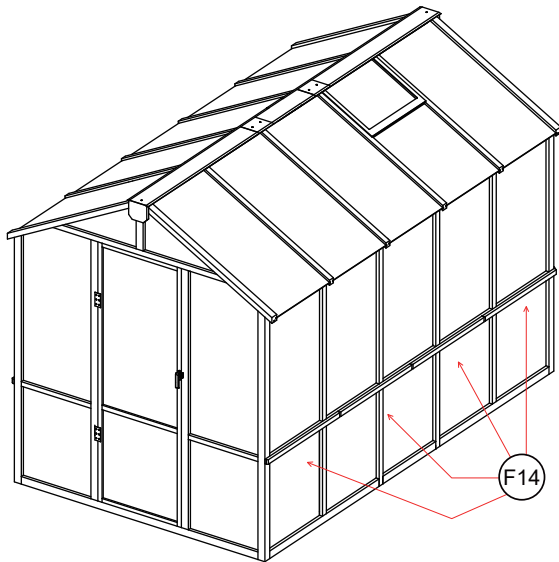
1. Put the door into the door frame
2. Align the hinge with the front frame and fix it with E1
3. Use E4 to fix F7 and F8 on the right side of the door



STEP 60

Fixing rod installation

1. Place F14 on the middle horizontal bar outside the left and right sides of the greenhouse, and use an electric drill to drive E2 in and fix it
2. Place F13 on the middle horizontal bar outside the rear frame of the greenhouse, and use an electric drill to drive E2 in and fix it

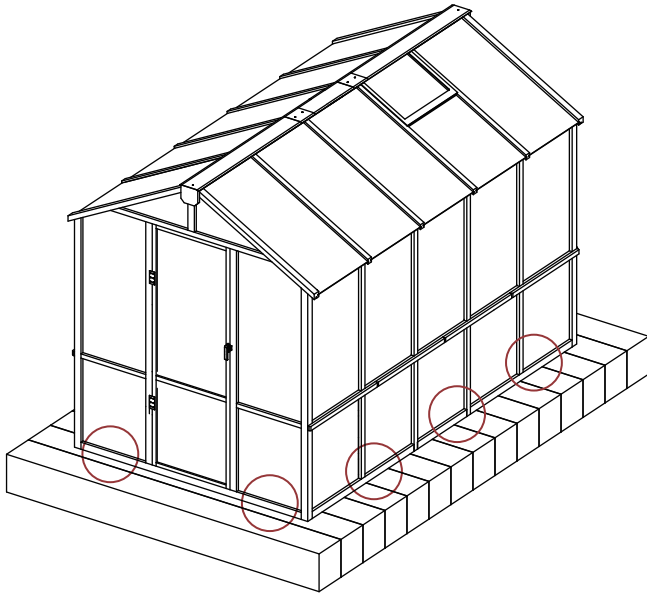


STEP 61

Fixed Conservatory

1. If it is a wooden board, use expansion screws and F5 to fix it
2. If it is a mud floor, use E5 and F5 to fix it

Wooden board installation



Mud floor installation

