

ASSEMBLY INSTRUCTIONS
COASTER FINE FURNITURE



Fine Furniture for every stage of life

205330KE(B1-B3)
Eastern King Storage Bed

ITEM: 205330KE(B1-B3)



ASSEMBLY INSTRUCTIONS

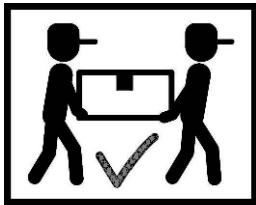
ASSEMBLY TIPS:

1. Remove hardware from box and sort by size.
2. Please check to see that all hardware and parts are present prior to start of assembly.
3. Please follow attached instructions in the same sequence as numbered to assure fast & easy assembly.



WARNING!

1. Don't attempt to repair or modify parts that are broken or defective. Please contact the store immediately.
2. This product is for home use only and not intended for commercial establishments.



ASSEMBLY TIME

30 MINUTES

PARTS IDENTIFICATION

B1 (BOX 1)

A	HEADBOARD PANEL		1PC
B	LEFT HEADBOARD LEG		1PC
C	RIGHT HEADBOARD LEG		1PC
D	HEADBOARD BOTTOM RAIL		1PC

B2 (BOX 2)

E	STORAGE FOOTBOARD		1PC
F	DRAWER SUPPORT LEG WITH LEVELER		2PCS
G	ROLL SLAT (10PCS)		1SET

B3 (BOX 3)

H	LEFT BED RAIL		1PC
I	RIGHT BED RAIL		1PC
J	CENTER RAIL		1PC
K	CENTER RAIL SUPPORT WITH LEVELER		2PCS
L	CONCEAL PANEL		5PCS
HB	205330KE (B1) FROM BOX 1 HEADBOARD COMPLETE		1PC
FB	205330KE (B2) FROM BOX 2 STORAGE FOOTBOARD COMPLETE		1PC

ITEM: 205330KE(B1-B3)



ASSEMBLY INSTRUCTIONS

ASSEMBLY TIPS:

1. Remove hardware from box and sort by size.
2. Please check to see that all hardware and parts are present prior to start of assembly.
3. Please follow attached instructions in the same sequence as numbered to assure fast & easy assembly.


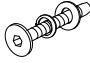
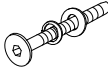











WARNING!

1. Don't attempt to repair or modify parts that are broken or defective. Please contact the store immediately.
2. This product is for home use only and not intended for commercial establishments.

HARDWARE IDENTIFICATION

Z-B3 (BOX 3) - HARDWARE PACK IS LOCATED IN 205330KE(B3)

1	ALLEN WRENCH (M4 x 110mm - BLK)		1PC
2	SHORT BOLT (M6 x 50mm - BLK)		16PCS
3	LONG BOLT (M6 x 70mm - BLK)		4PCS
4	WOOD DOWEL (M8 x 30mm)		4PCS
5	SHORT PAN HEAD SCREW (M4 x 12mm - BLK)		30PCS
6	LONG PAN HEAD SCREW (M4 x 16mm - RBW)		6PCS
7	SHORT FLAT HEAD SCREW (M4 x 20mm - BLK)		8PCS
8	LONG FLAT HEAD SCREW (#8 x 1 1/8" - BLK)		20PCS
9	L BRACKET (BKT-4HC-01(2.0mm) - RBW)		2PCS
10	HEX NUT (M6 - RBW)		2PCS
11	U BRACKET (26 x 63 x 70mm - RBW)		2PCS
12	WRENCH (2 x 24.5 x 85 - RBW)		1PC

NOTE:

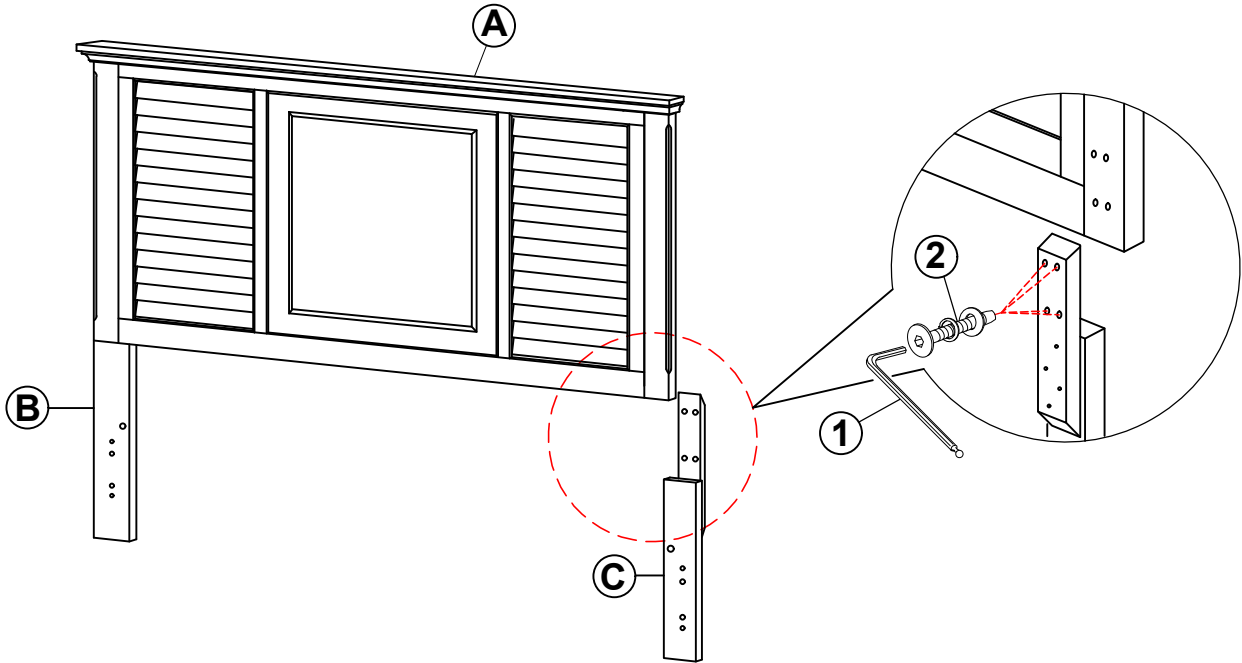
Phillips head screw driver is required in the assembly process; however, manufacturer does not provide this item.

ITEM: **205330KE(B1-B3)**

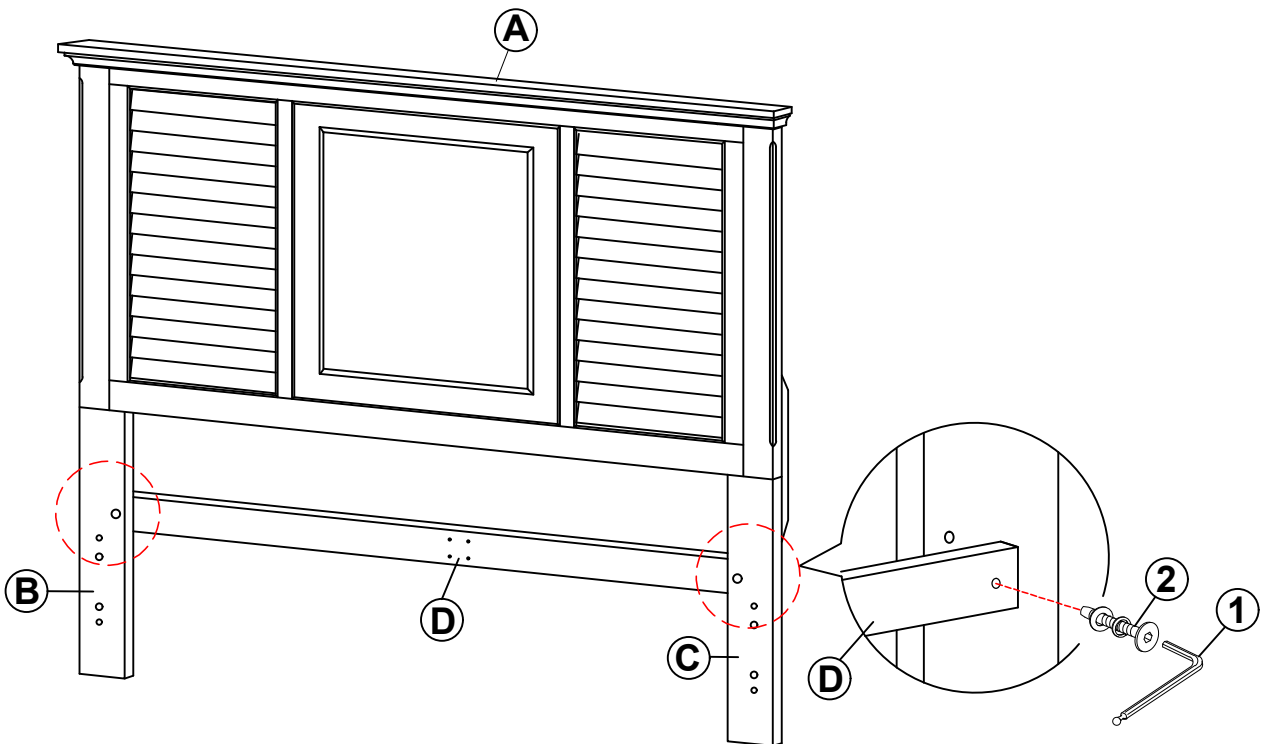


ASSEMBLY INSTRUCTIONS

STEP 1



STEP 2

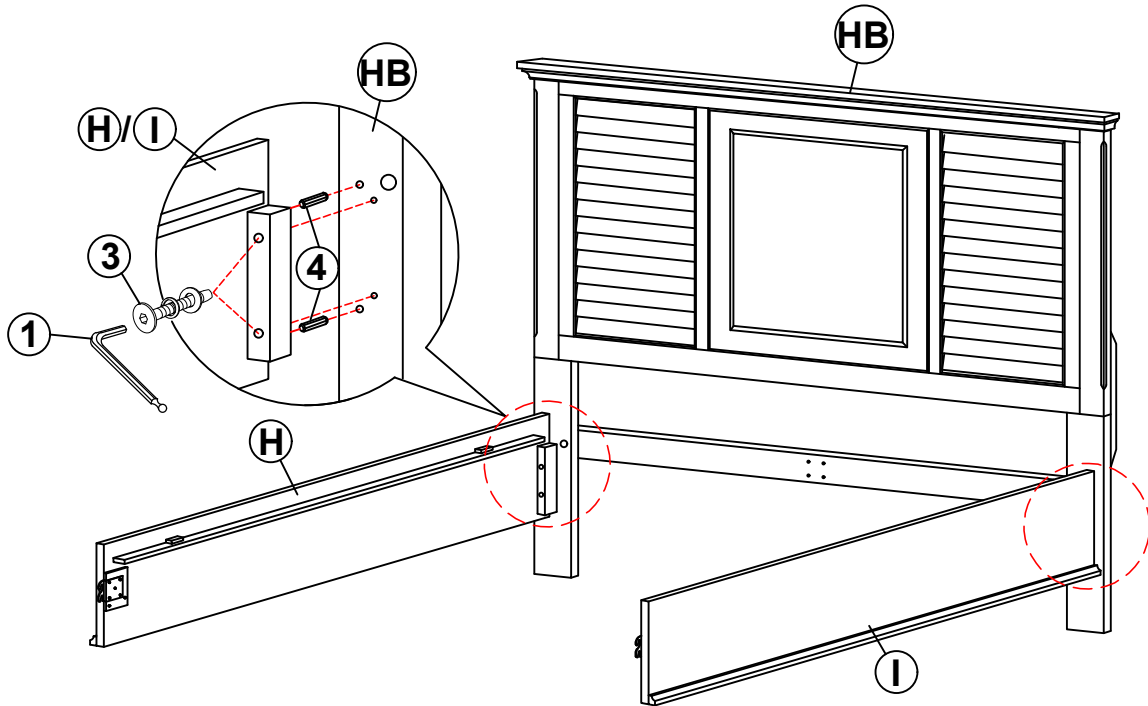


ITEM: **205330KE(B1-B3)**

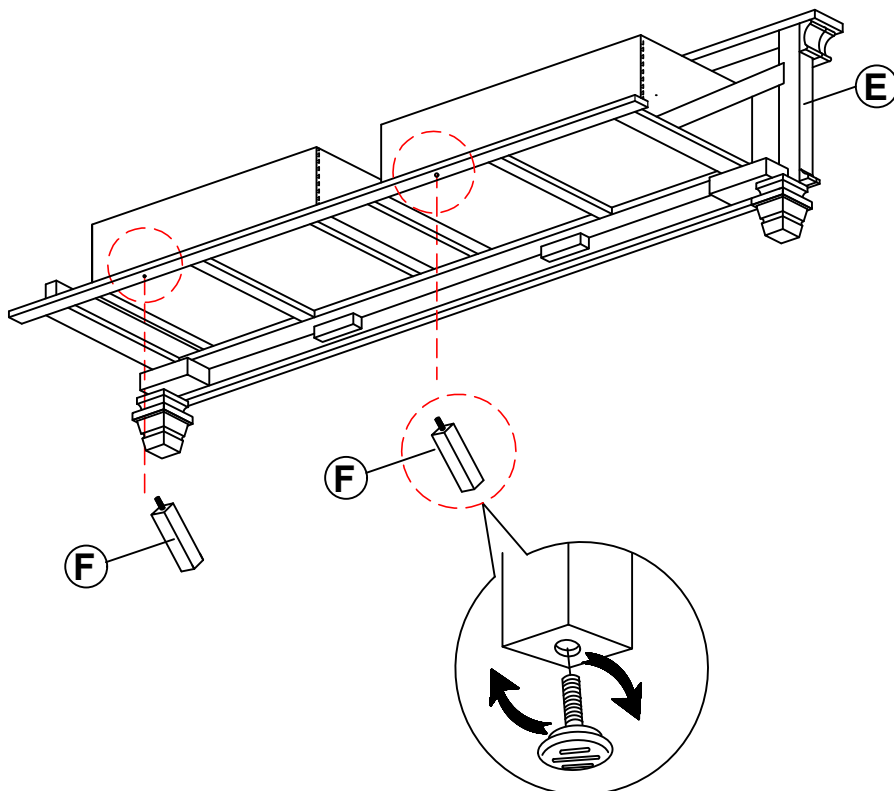


ASSEMBLY INSTRUCTIONS

STEP 3



STEP 4

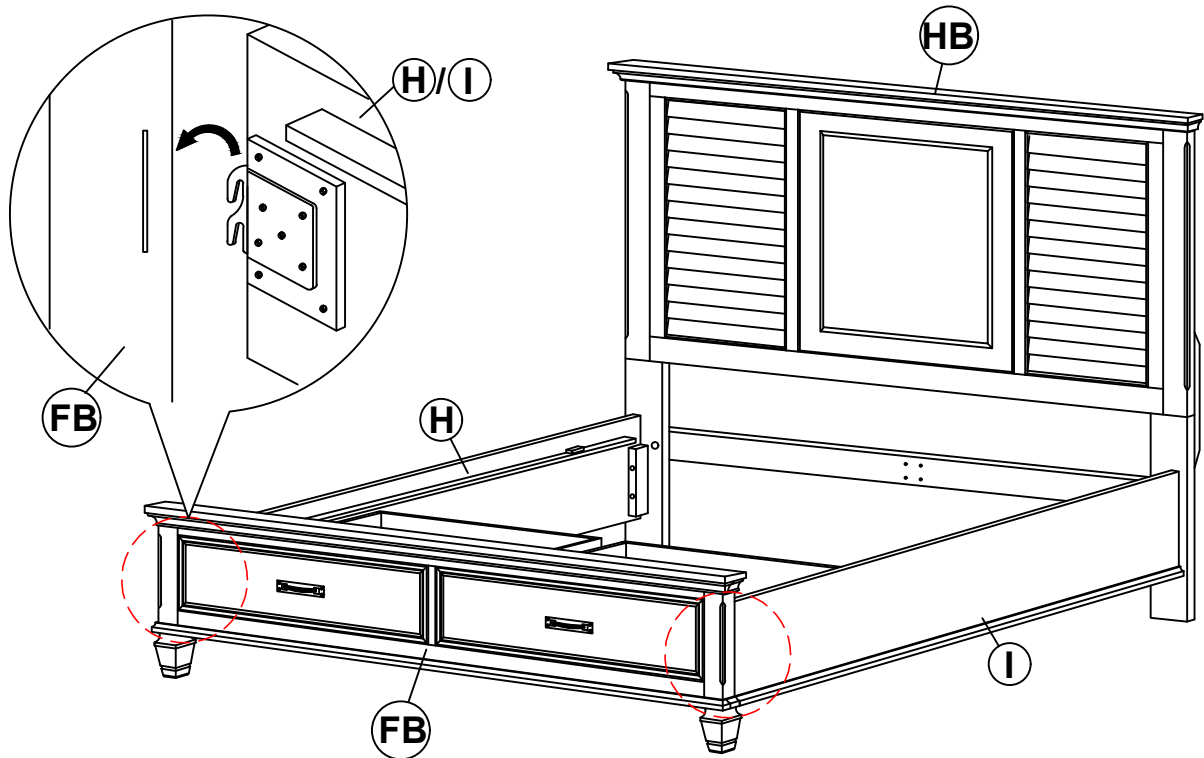


ITEM: **205330KE(B1-B3)**

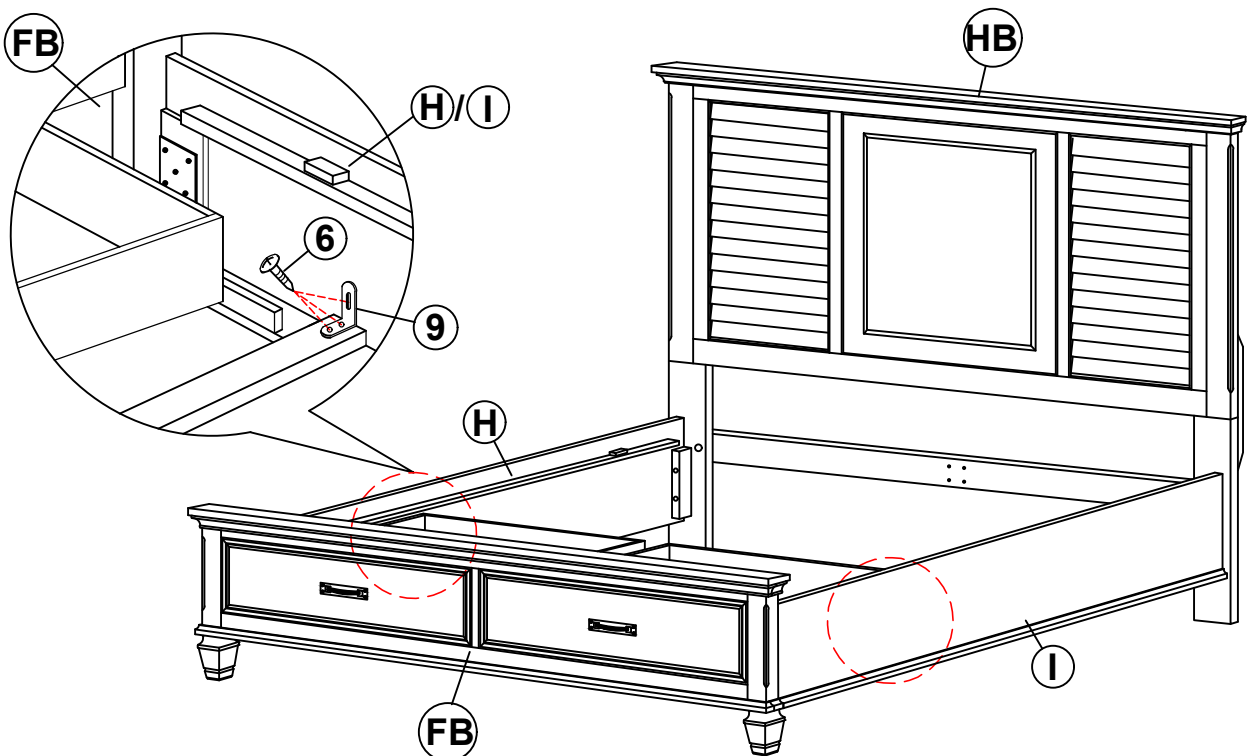


ASSEMBLY INSTRUCTIONS

STEP 5



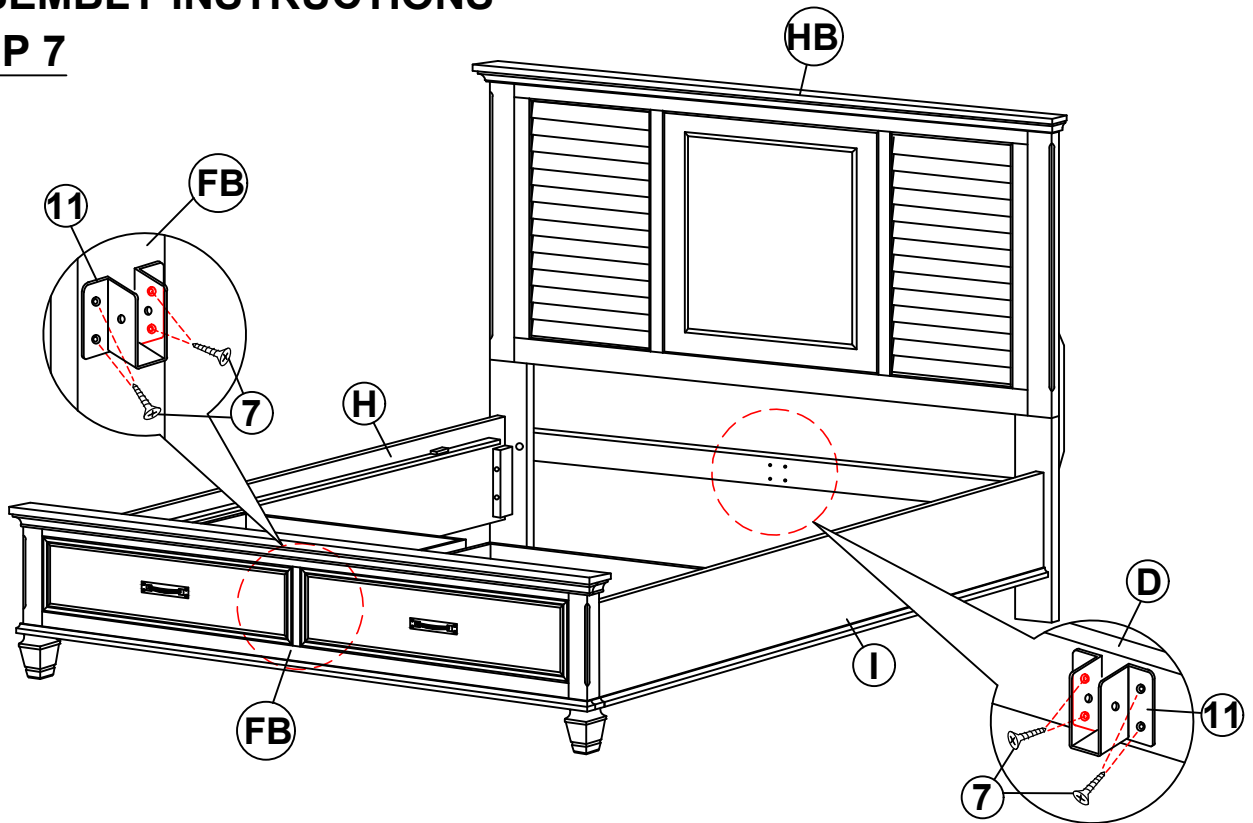
STEP 6



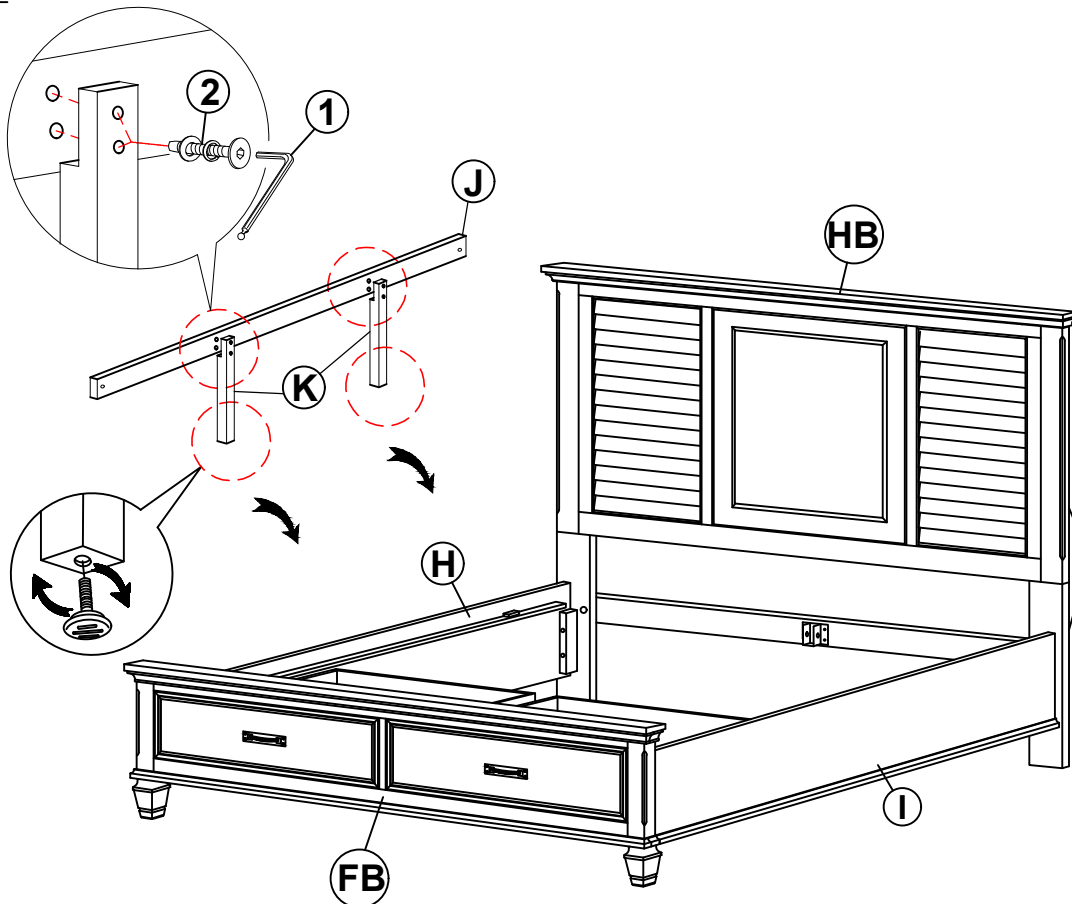
ITEM: **205330KE(B1-B3)**



ASSEMBLY INSTRUCTIONS
STEP 7



STEP 8

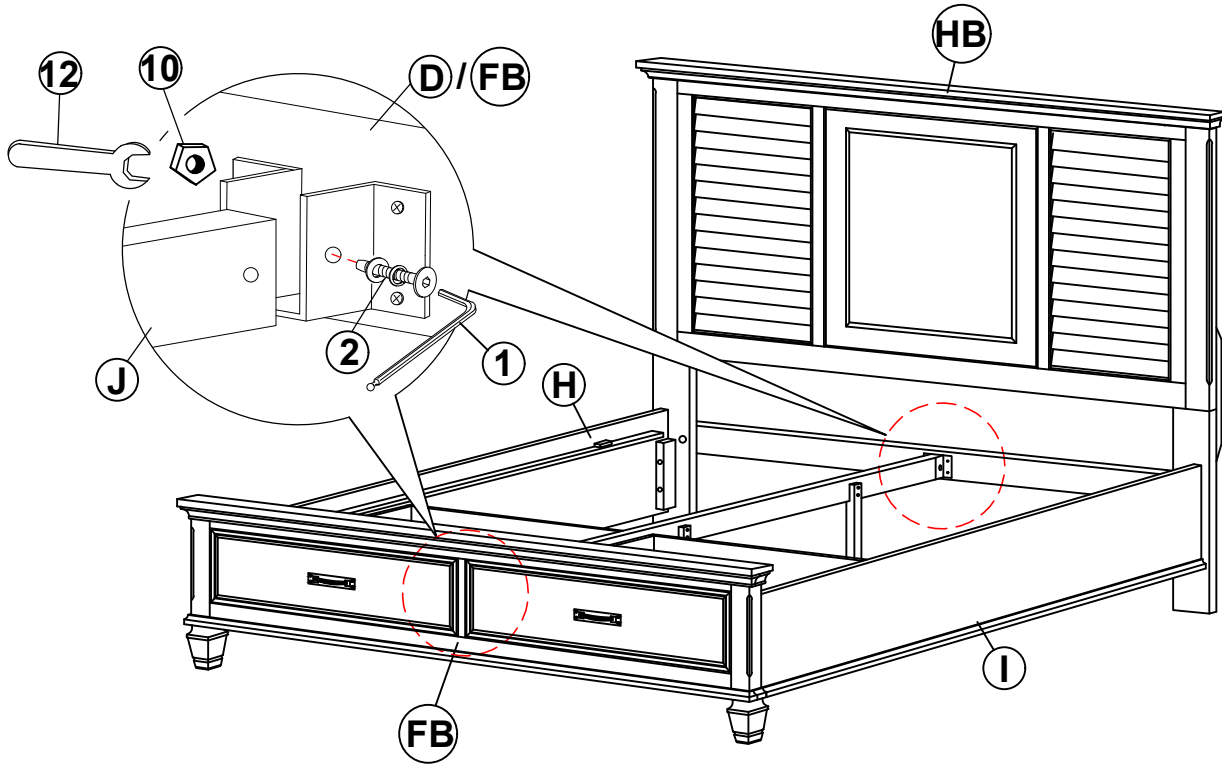


ITEM: **205330KE(B1-B3)**

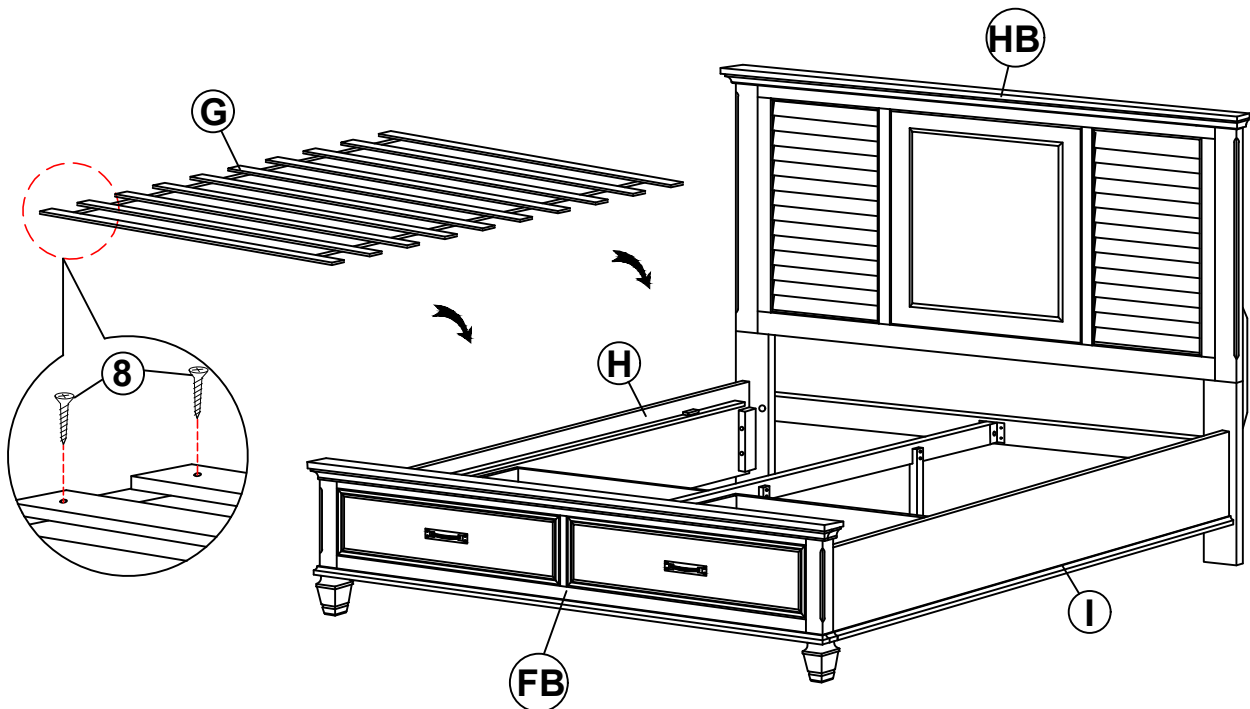


ASSEMBLY INSTRUCTIONS

STEP 9



STEP 10

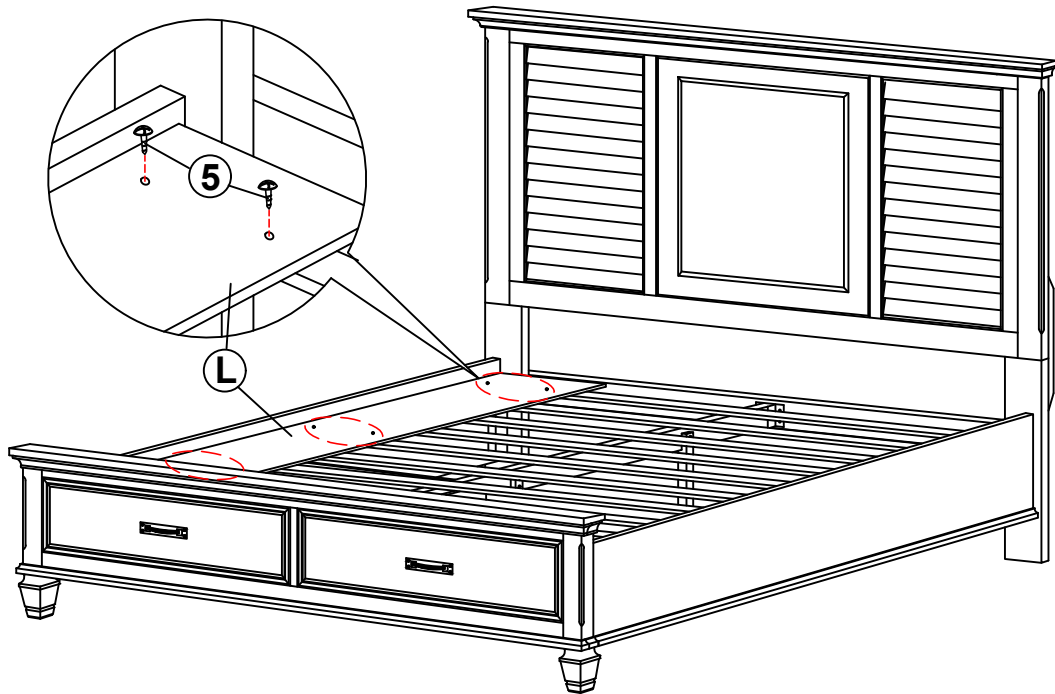


ITEM: **205330KE(B1-B3)**

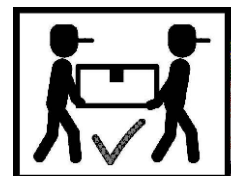
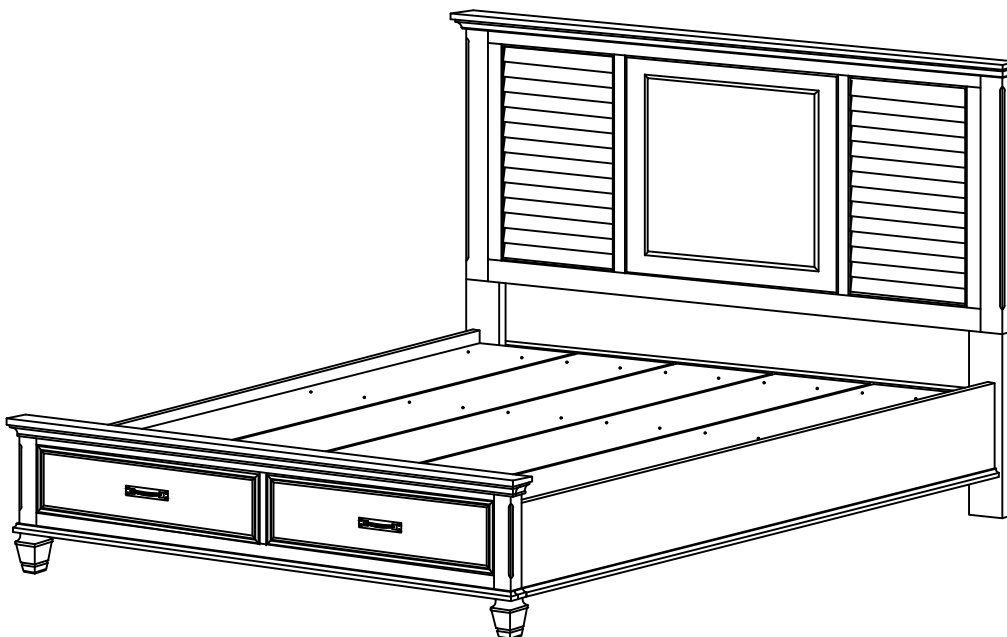


ASSEMBLY INSTRUCTIONS

STEP 11



STEP 12
COMPLETE

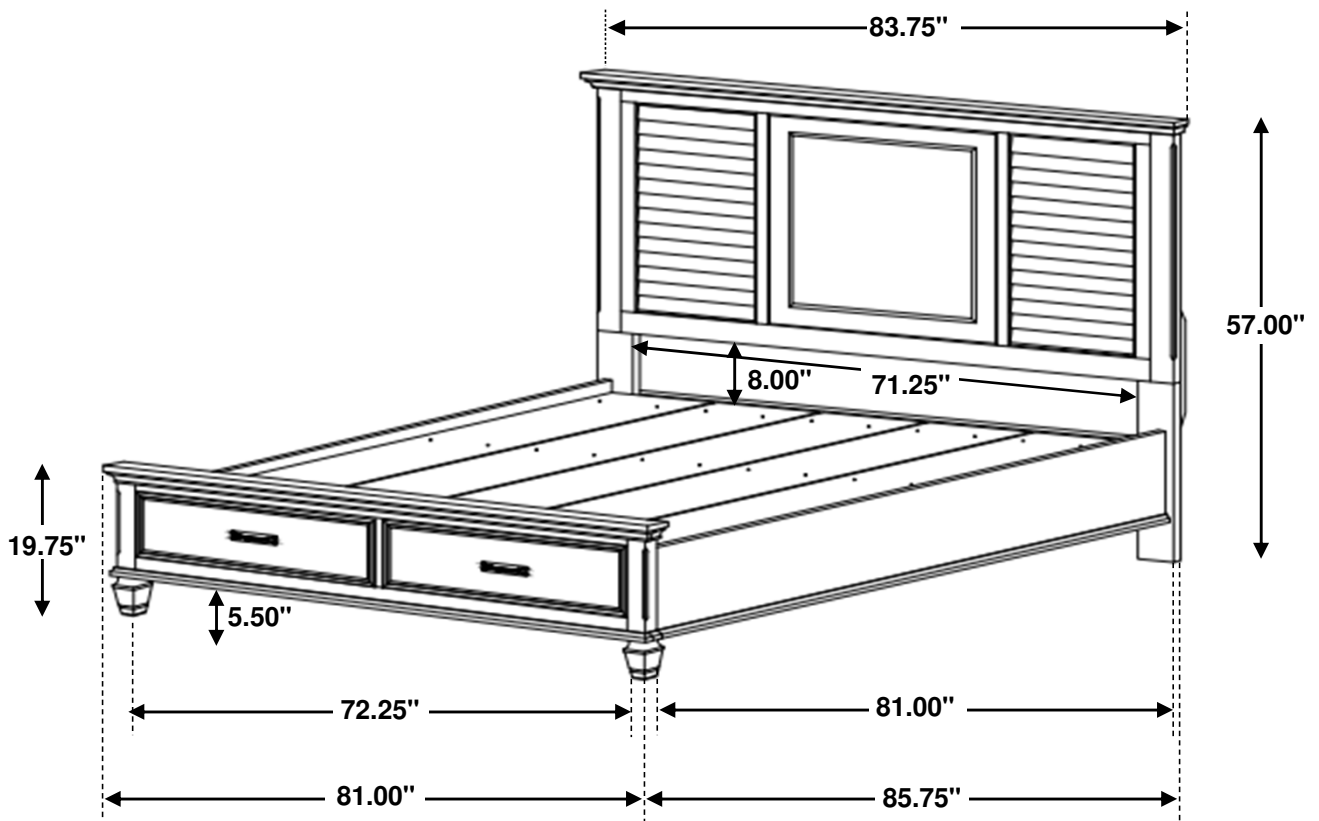


ITEM: **205330KE(B1-B3)**



Inner Size : 77.25"W X 81.00"D

Inner Size of Drawer : 5.75"W X 18.75"D X 32.00"H X 0.50"T



Note : Dimension tolerance $\pm 5\%$