

Designer Collection Tubs

New Yorker 10

MODEL #: 225

71.75" x 35.5" x 23.25"

GENERAL SPECIFICATIONS

Material - Acrylic

Installation - Freestanding

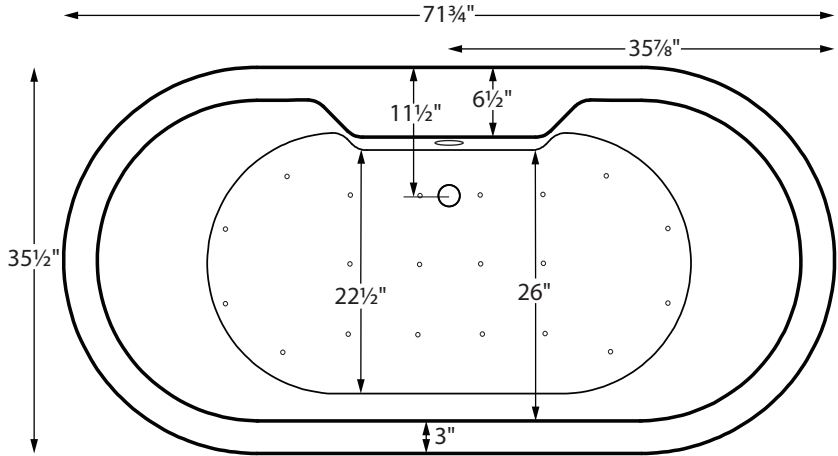
Soaker Weight - 140 lbs / 64 kg

Maximum Fill - 83 gal to overflow

NOTE: Filling this tub to the maximum may require an above average size or dedicated water heater.

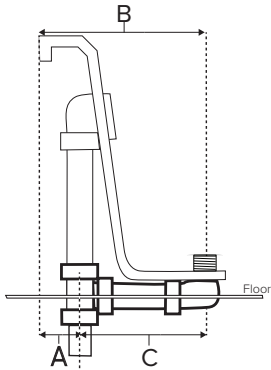


Shown with optional Slim-Line Overflow



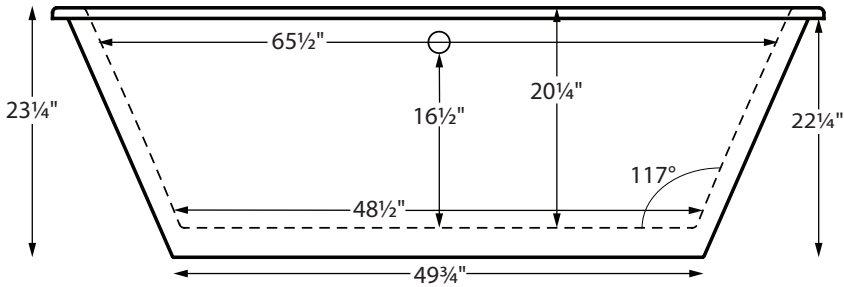
Drain and Overflow Rough-In Measurements

A	B	C
6"	11 1/2"	5 1/2"



The New Yorker 10 features a 6.5"-wide flat deck on the drain side for mounting faucetry.

Shown with Air Massage Package.



Access panel 20 1/8" x 15 1/8"



ELECTRICAL COMPONENTS & SPECIFICATIONS

Required Electrical Service - 110 Volt

Hydrotherapy Package	Components Included	GFCI
Air Massage	heated blower	1-15 amp
Air Massage Elite	heated blower, chromatherapy	1-15 amp

Electrical requirements may change with the addition of optional therapy components. See specific option details or installation information. CSA Certified C/US; ANSI Z124.1 and ANSI 112.19.7

See the Installation & Operation Manual for more details. MTI's Customer Service: Monday-Friday 8am-6pm EST 800-783-8827 or service@mtibaths.com

IMPORTANT ORDERING & INSTALLATION INFORMATION:

- Before ordering or installing, please consider future access to equipment.
- Comes equipped with an access panel on the drain side for installation of waste and overflow.
- Air baths require job site preparations for remote mounting the blower.
- Hydrotherapy equipment may ship loose for remote installation depending on tub model. See package content on the following page for details.
- MTI will eliminate the access panel upon request. Installation will be more difficult.
- Radiance placed on floor locations will affect placement of air jets.

- Before discarding tub crate, check for accessories that may be packaged inside.
- All product measurements are ±1/2".
- Specifications and configurations are subject to change without notice.
- Measurements herein supersede all others published prior to publication date below.

