

Dual Ultrawide Vertical Monitor Desk Mount

SKU: STAND-V202R
Instruction Manual

Assembly Video & Product Info
www.vivo-us.com/products/stand-v202r



[THIS PAGE INTENTIONALLY LEFT BLANK]

! CAUTION! !

If you do not understand these directions, or if you have any doubts about the safety of the installation, please contact our product support team at 309-278-5303 or help@vivo-us.com for further assistance. Check carefully to make sure there are no missing or defective parts. Improper installation may cause damage or serious injury. Do not use this product for any purpose that is not explicitly specified in this manual. Do not exceed weight capacity. We cannot be liable for damage or injury caused by improper mounting, incorrect assembly or inappropriate use.



WARNING: CHOKING HAZARD

SMALL PARTS - NOT FOR CHILDREN UNDER 3 YEARS. ADULT SUPERVISION IS REQUIRED.



DO NOT EXCEED WEIGHT CAPACITY

FAILURE TO DO SO MAY RESULT IN SERIOUS INJURY.

We're Here for You

Open **Monday - Friday 7:00am - 7:00pm CST**, our dedicated support team can offer immediate assistance with rapid response times. If any parts are received damaged or defective, please contact us. We are happy to replace parts to ensure you have a fully functioning product.



Give us a Call:
309-278-5303

AVG. RESOLUTION TIME (*within office hrs*): **5M 4S**



Chat Us:
www.vivo-us.com

AVG. RESOLUTION TIME (*within office hrs*): **< 15 M**

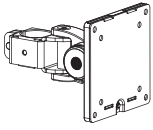


Email Us:
help@vivo-us.com

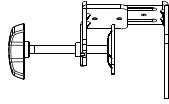
AVG. RESPONSE TIME (*within office hrs*): **1HR 8M**

- 23% within < 15m
- 38% within < 30m
- 61% within < 1hr
- 83% within < 2hr
- 92% within < 3hr

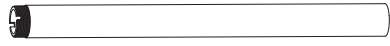
Package Contents



A (x2)
VESA Bracket



B (x1)
Clamp



C (x1)
Lower Pole



D (x1)
Upper Pole



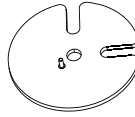
E (x1)
Support Plate



F (x1)
Pole Cap



G (x2)
Pole Cable Clip



H (x1)
Grommet
Plate



I (x5)
Pad

Included Hardware & Tools



S-A (x3)
M6x16mm Screw



M-A (x8)
M4x12mm Screw



M-B (x8)
M5x12mm Screw



M-C (x8)
M5 Washer



T-A (x1)
4mm Allen Wrench



T-B (x1)
6mm Allen Wrench

Tools Needed:



**Phillips
Screwdriver**

Weight Capacity:



Per Arm



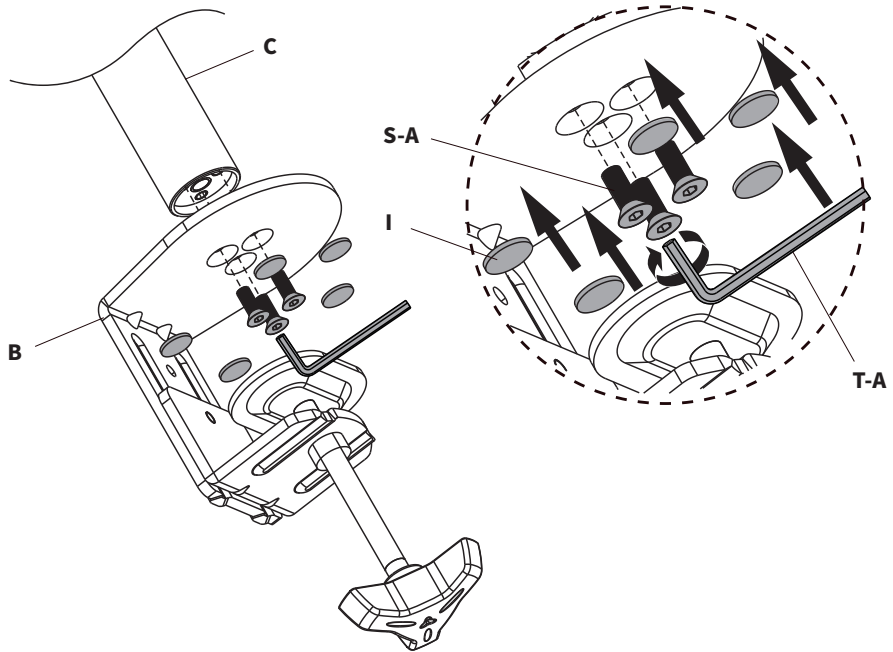
Total

ASSEMBLY STEPS

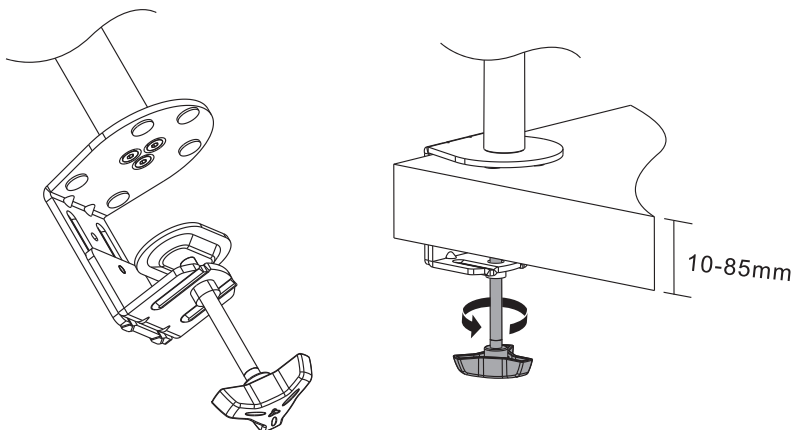
STEP 1a

Assembly Option #1 - Desk Clamp

Install Lower Pole (C) to Clamp (B) using M6x16mm Screws (S-A) and 4mm Allen Wrench (T-A). Remove protective film from Pads (I) and apply them to Clamp (B) as shown.



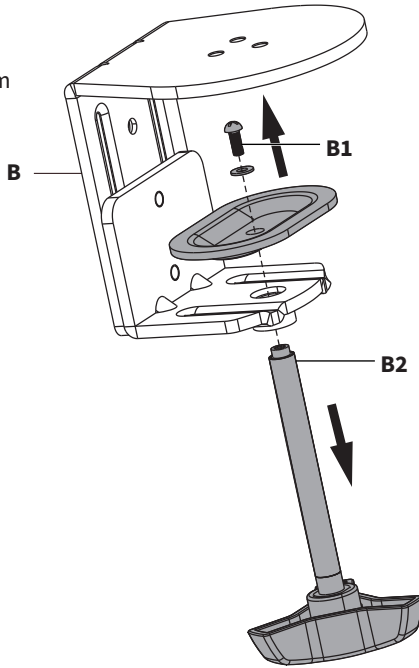
Secure clamp assembly to desktop by tightening hand bolt.



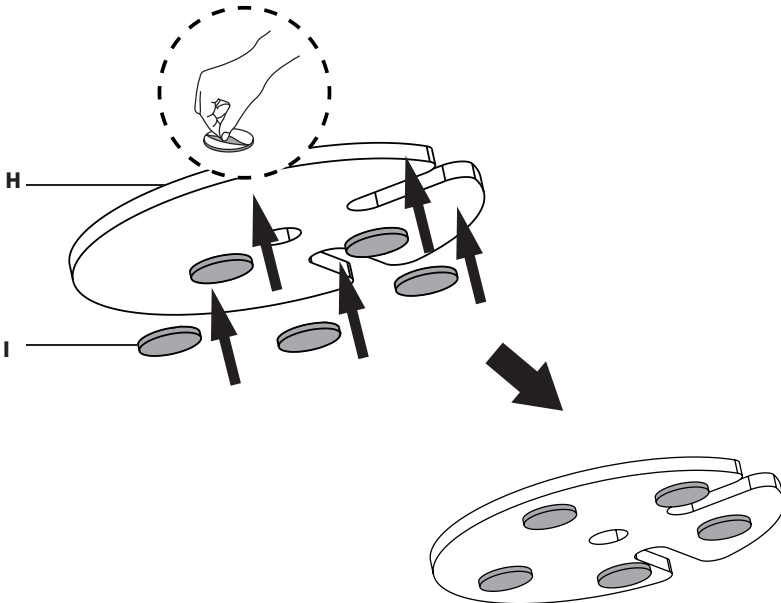
STEP 1b

Assembly Option #2 - Grommet

Remove Screw **(B1)** from Clamp Bolt **(B2)** and remove Clamp Bolt **(B2)** from Clamp **(B)**.



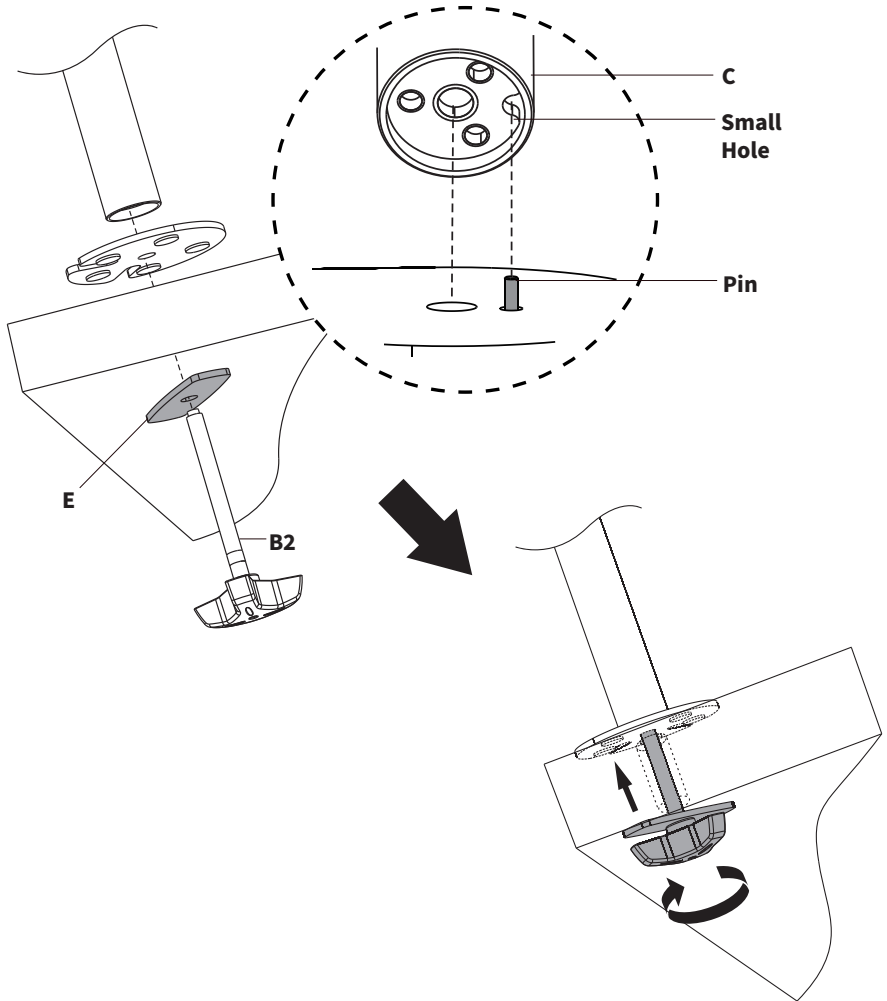
Remove protective film from Pads **(I)** and apply them to the bottom side of Grommet Plate **(H)**.



Grommet - Cont'd

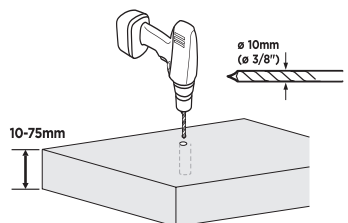
Align the **Pin** on top of Grommet Plate (**H**) with the **Small Hole** on the bottom of Lower Pole (**C**) and position the parts over the grommet hole.

Attach to the desktop using Support Plate (**E**) and Clamp Bolt (**B2**).



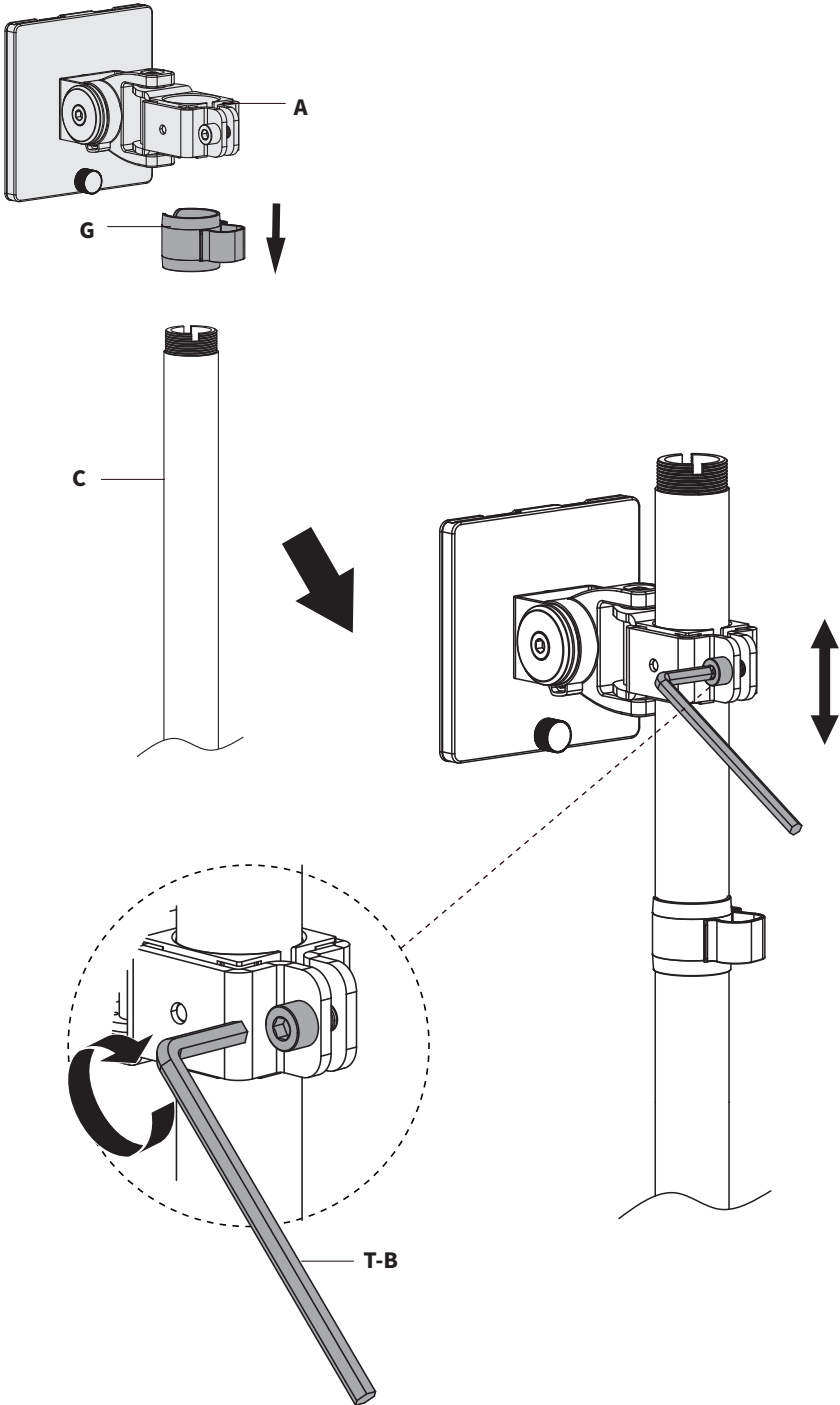
My Desk Does Not Have a Grommet

If desk does not have an existing grommet hole, drill a 3/8" (10mm) diameter hole at the desired position through the mounting surface.



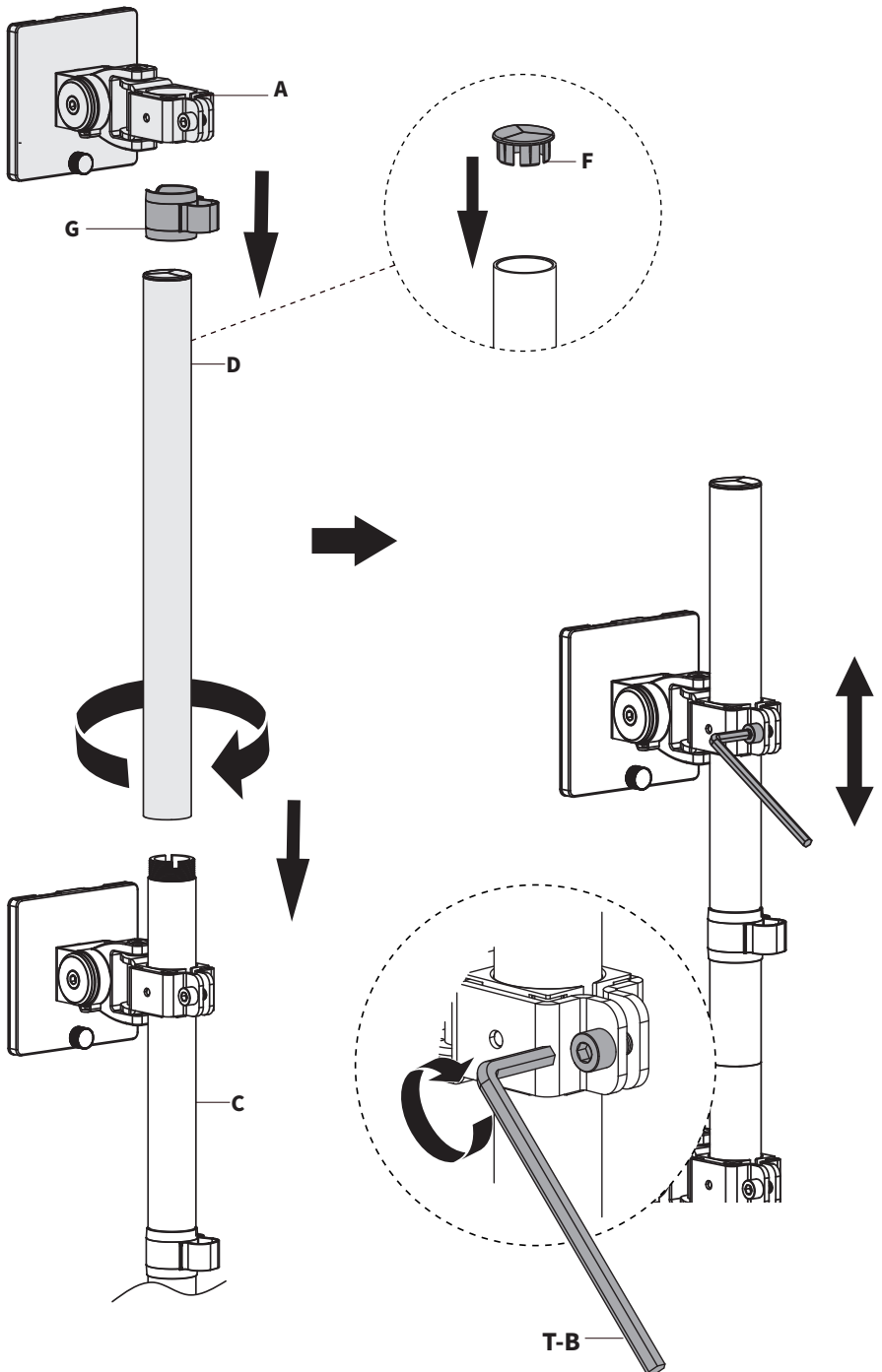
STEP 2

Slide Pole Cable Clip (**G**) and one of the VESA Brackets (**A**) onto the Lower Pole (**C**). Adjust the height location of the VESA Bracket and tighten using the 6mm Allen Wrench (**T-B**).



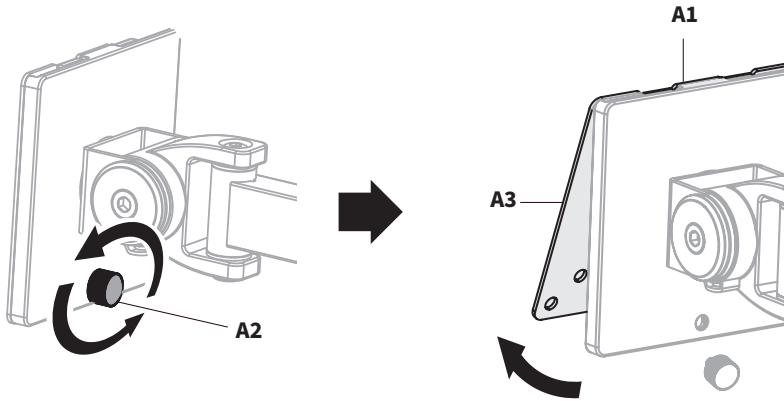
STEP 3

Place Pole Cap (F) on top of Upper Pole (D), then screw the Upper Pole onto the Lower Pole (C). Slide the remaining Pole Cable Clip (g) and VESA Bracket (A) onto the Upper Pole. Adjust the height location of the VESA Bracket and tighten using the 6mm Allen Wrench (T-B).

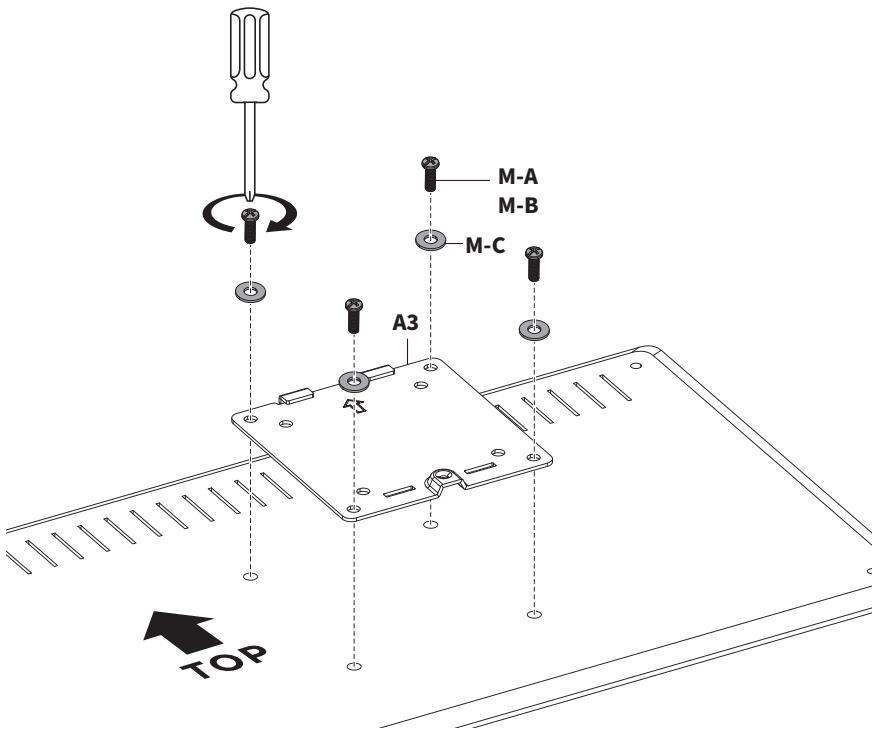


STEP 4

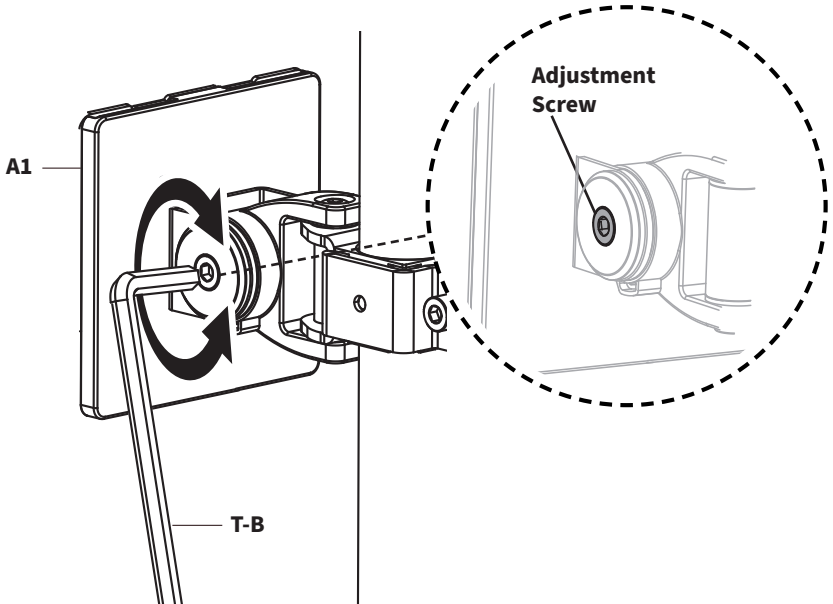
Loosen the Thumbscrew (**A2**) on the back of both VESA Brackets (**A1**), then separate and remove VESA Plates (**A3**) by pulling out and sliding upwards.



Install the VESA Plates (**A3**) onto the back of your monitors using M4x12mm Screws (**M-A**) or M5x12mm Screws (**M-B**) and M5 Washers (**M-C**), orienting the arrow on the VESA Plates pointing up. Tighten screws using a Phillips screwdriver making sure not to over tighten.



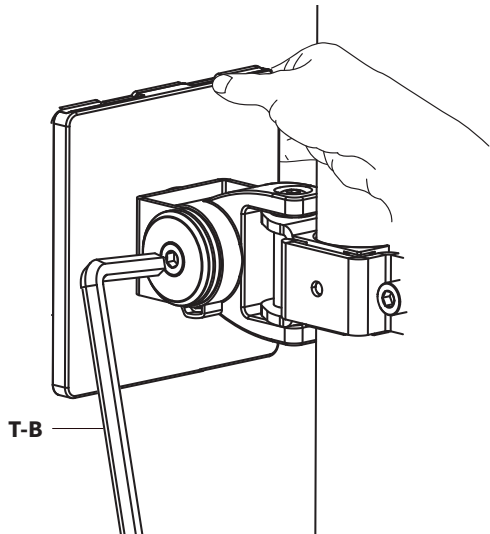
Adjusting the Tilt Joint



- 1 Loosen Tilt Joint:**
Use 6mm Allen Wrench (**T-B**) to loosen the **Tilt Joint Adjustment Screw**, located on the side of VESA Bracket (**A1**).

- 2 Set Angle**
Firmly grip the VESA Bracket and adjust to your desired viewing angle, and hold in place.

- 3 Lock Angle**
Tighten as much as possible using the 6mm Allen Wrench (**T-B**) to lock the angle.



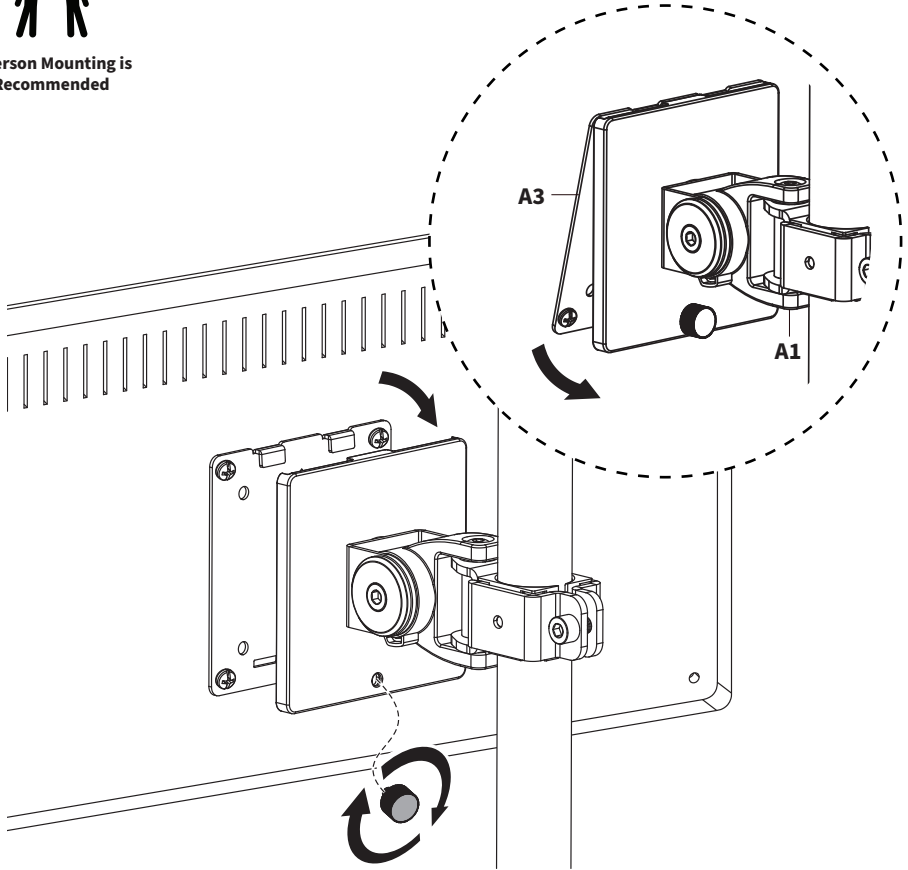
***Firmly hold VESA Bracket in place while adjusting tilt angle.**

STEP 6

With the assistance of a second person, line up the VESA Plates (**A3**) on your monitors with the **VESA Bracket (A1)** and the Plate Hooks into the pockets of the VESA Brackets. Monitor & VESA Brackets may need to be angled backwards slightly when sliding on.



2 Person Mounting is Recommended



**Monitor & VESA Bracket may need to be angled backwards slightly when sliding on.*



Monitor Tilted Too Far?

**** See Next Step ****

Refer to instructions in next step to adjust. **DO NOT** try to adjust angle freely. Doing so may result in accidental damage to your screen.

Fine Tune Tilt Angle

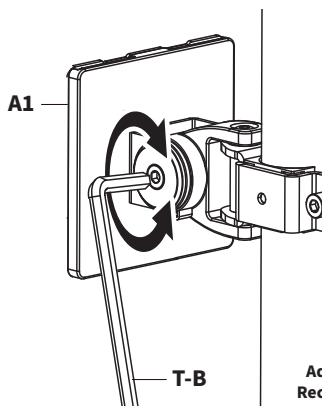
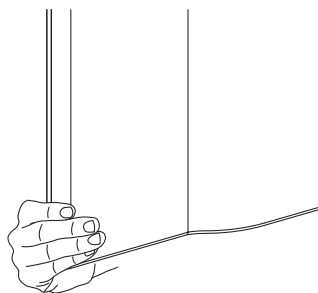
If the monitor is angled further than intended...



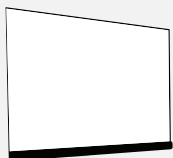
Heavy Weighted/ Ultrawide Monitors

[22lbs - 44lbs]

- 1 Firmly Hold Monitor**
Firmly grasp and hold the monitor in place. Do NOT release monitor until you have completed steps below.
- 2 Loosen Tilt Joint:**
With a hand still on the monitor, use 6mm Allen Wrench (**T-B**) to loosen the tilt joint **Adjustment Screw**, located on the side of VESA Bracket (**A1**).
- 3 Set & Lock Angle**
Adjust screen slightly past your desired viewing angle, then tighten the screw as much as possible using 6mm Allen Wrench (**T-B**).
- 4 Straighten Angle**
Slowly adjust the monitor down until your desired angle is reached. Release monitor and check angle. Repeat process as necessary



**2 Person
Adjustment is
Recommended**



Ultra Thin Monitors

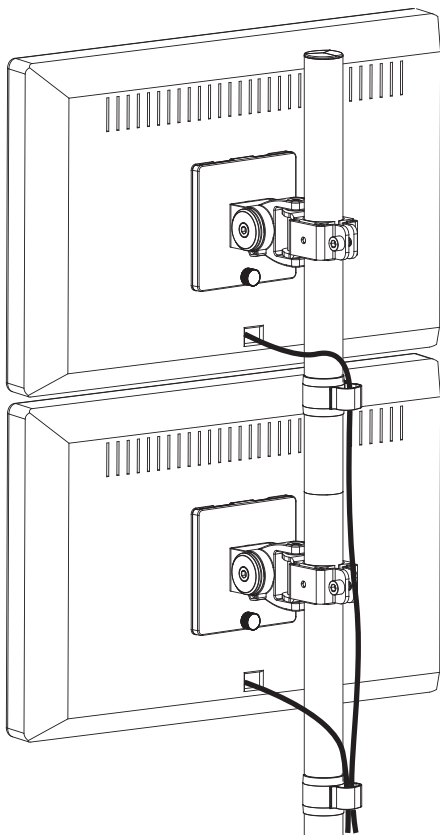
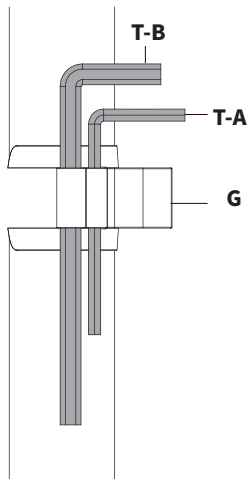


ALWAYS REMOVE MONITOR BEFORE RE-ADJUSTING

To prevent accidental damage to your screen, remove monitor and then follow Tilt Adjustment instructions. Reinstall monitor when desired angle is reached.

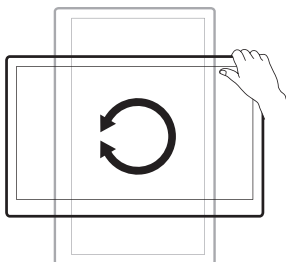
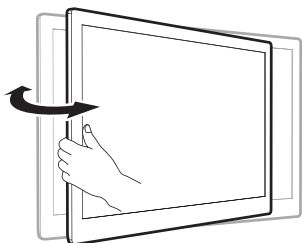
STEP 7

Route cables through Pole Cable Clip (**G**) and store Allen Wrenches provided slots.



STEP 8

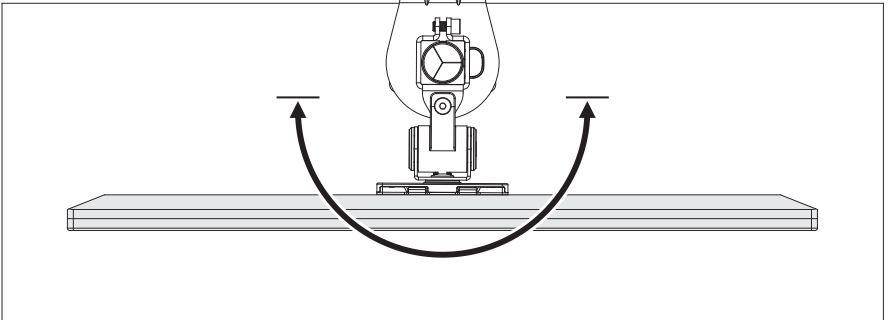
Make adjustments as desired on swivel and orientation.





WARNING!

***If you are using the stand with the clamp, do NOT extend the arm past the back of the clamp to prevent possible damage to your monitor and stand.**





Need Help? Get In Touch

Monday-Friday from 7:00am-7:00pm CST



help@vivo-us.com



www.vivo-us.com

Chat live with an agent!



309-278-5303



VIVO-us @vivo_us