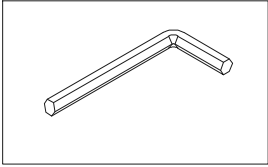


Coffee Table Installation

Tools You Will Need: Tools You May Need



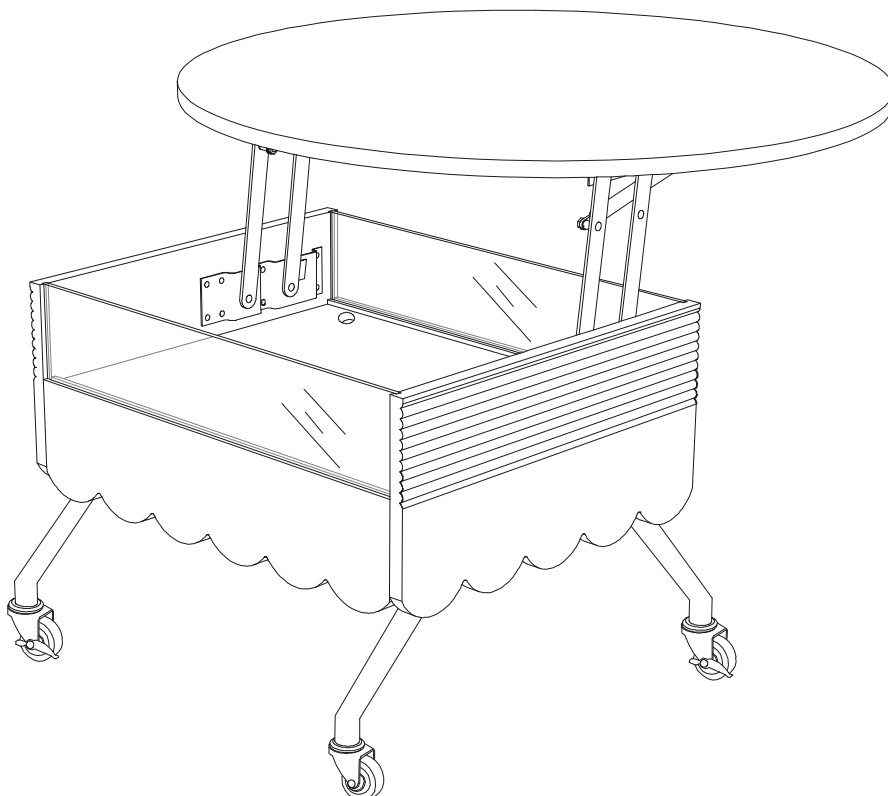
Hexagon wrench

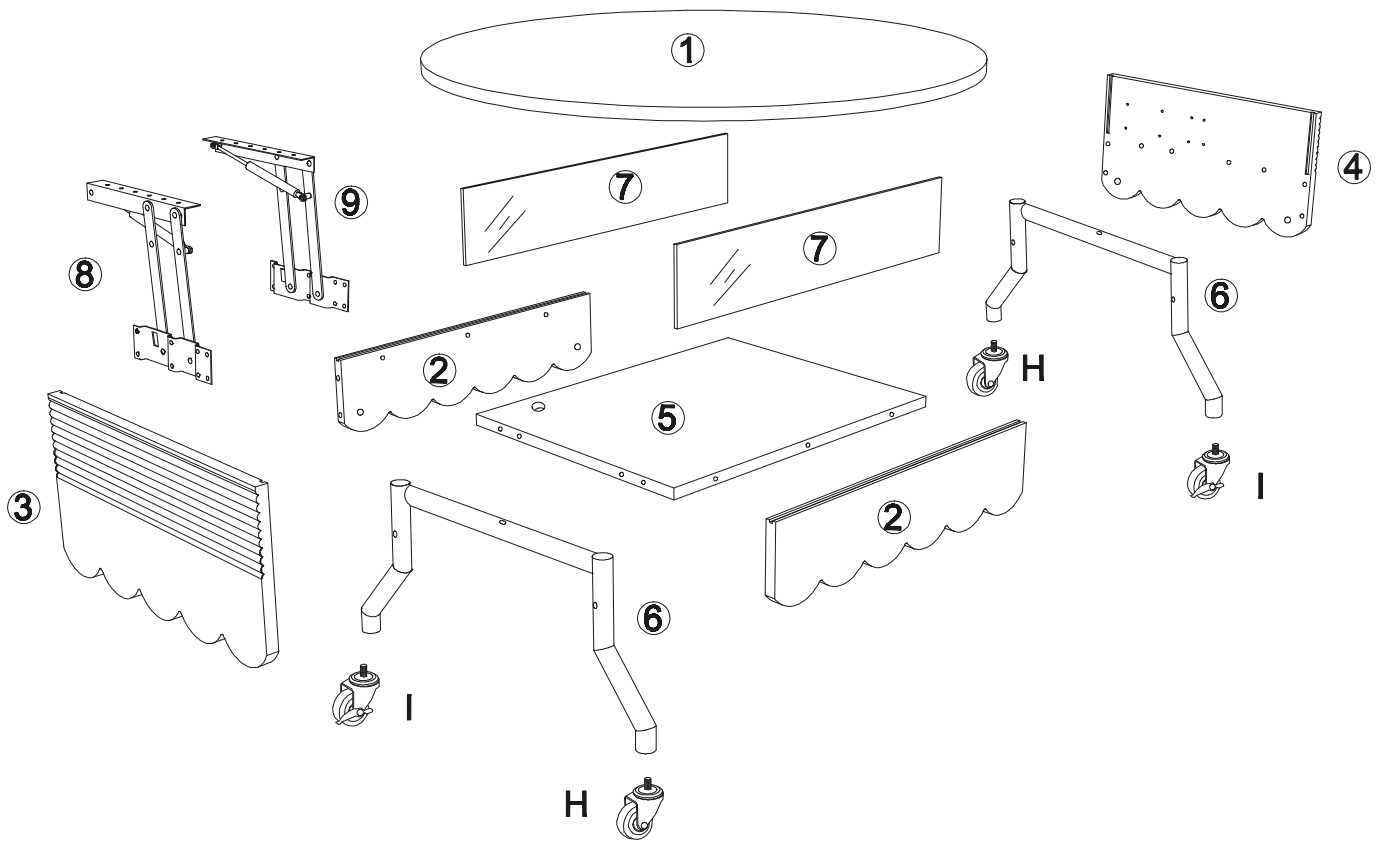
Before the Installation


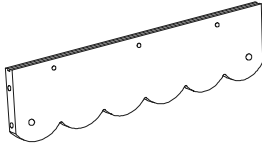
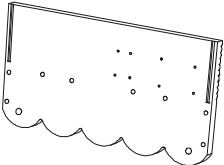
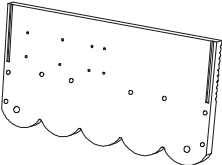
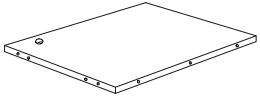
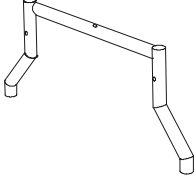
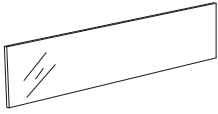
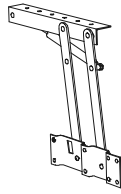
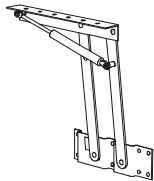





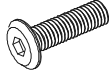
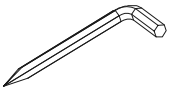



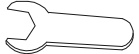
1. Do not throw away packing materials until assembly is complete for small parts may come loose inside the carton during shipment, If parts are missing, please contact us.
2. Assemble this item on a soft surface, such as carpet to protect the finish.
3. Proper assembly of this item requires 2 people.
4. Periodically check to ensure that all connections are tight.
5. It is recommended that installation of the product be done by a qualified licensed furniture assembler.

Care and Cleaning

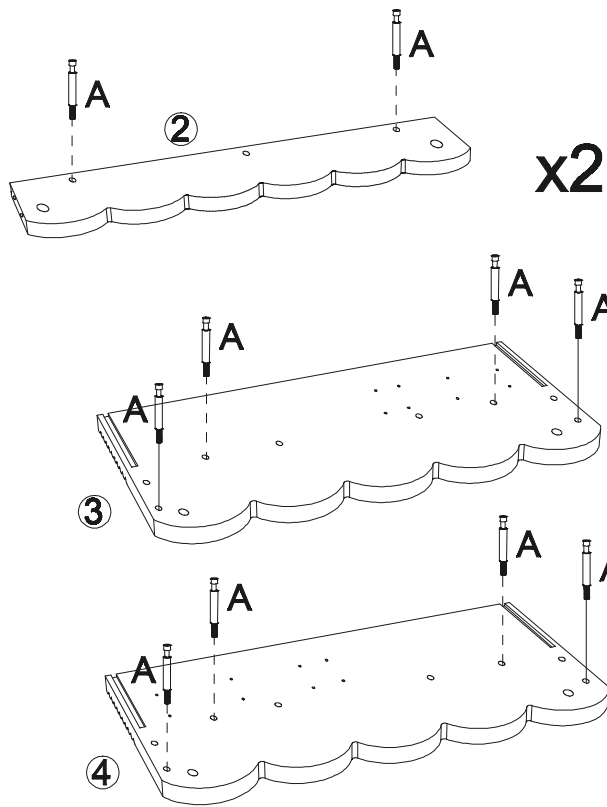
1. To protect the finish, avoid use chemicals and household cleaners.
2. All hot serving dishes should be placed on a pad.
3. Any liquid spilled onto the top should be cleaned up immediately with a damp cloth.



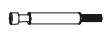


<p>①</p>  <p>1PC</p>	<p>②</p>  <p>2PCS</p>	<p>③</p>  <p>1PC</p>	<p>④</p>  <p>1PC</p>		
<p>⑤</p>  <p>1PC</p>	<p>⑥</p>  <p>2PCS</p>	<p>⑦</p>  <p>2PCS</p>	<p>⑧</p>  <p>1PC</p>	<p>⑨</p>  <p>1PC</p>	
<p>A</p>  <p>Φ6*35mm</p> <p>12PCS</p>	<p>B</p>  <p>Φ15*12mm</p> <p>12PCS</p>	<p>C</p>  <p>Φ8*30mm</p> <p>10PCS</p>	<p>D</p>  <p>Φ4*14mm</p> <p>12PCS</p>	<p>E</p>  <p>Φ4*12mm</p> <p>16PCS</p>	
<p>F</p>  <p>M6*30mm</p> <p>6PCS</p>	<p>G</p>  <p>M4</p> <p>1PC</p>	<p>H</p>  <p>2PCS</p>	<p>I</p>  <p>2PCS</p>	<p>J</p>  <p>Battery not included Batterie non incluse</p> <p>1PC</p>	<p>K</p>  <p>1PC</p>

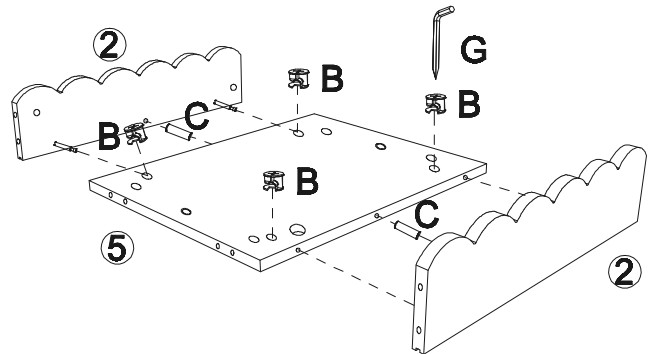
Step 1



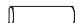


x2

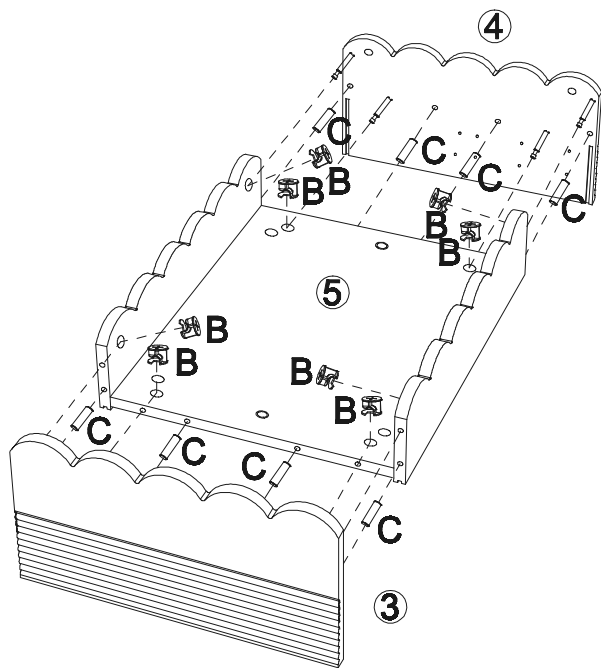
A	
	Φ6*35mm x12



Step 2



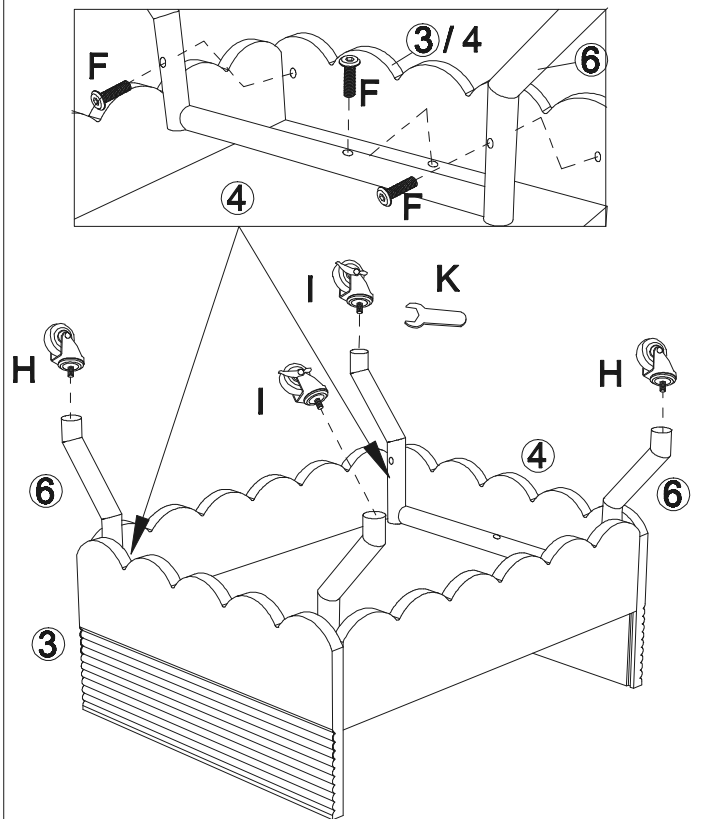
G		B		C	
	M4 x1		Φ15*12mm x4		Φ8*30mm x2





Step 3



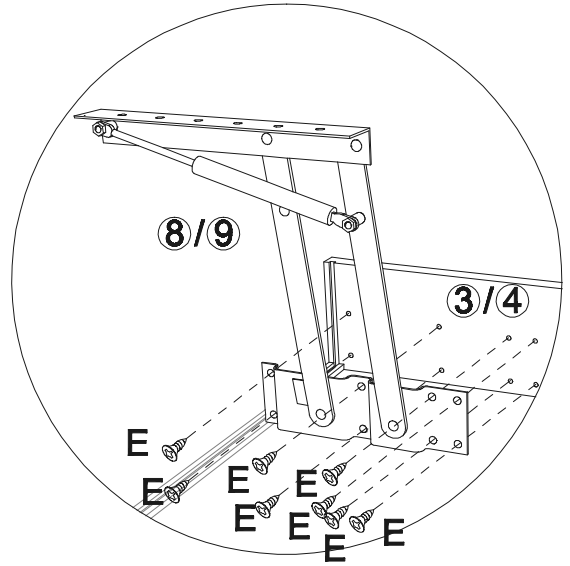
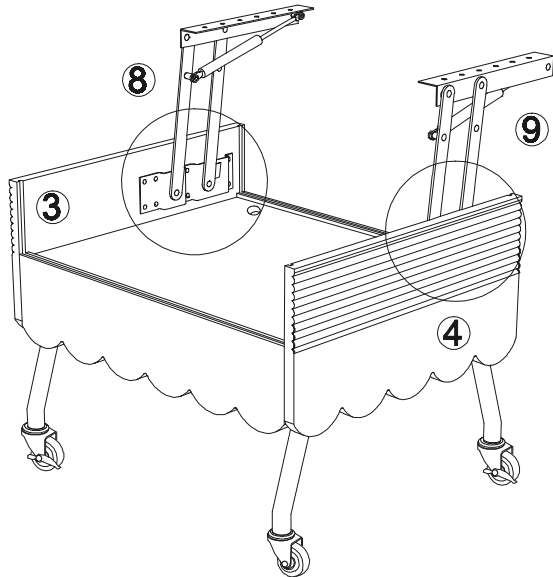
B		C	
	Φ15*12mm x8		Φ8*30mm x8


Step 4



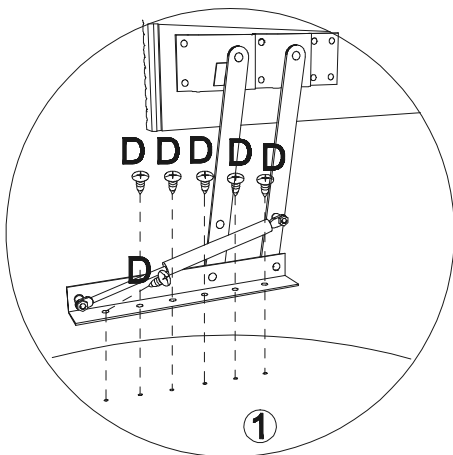
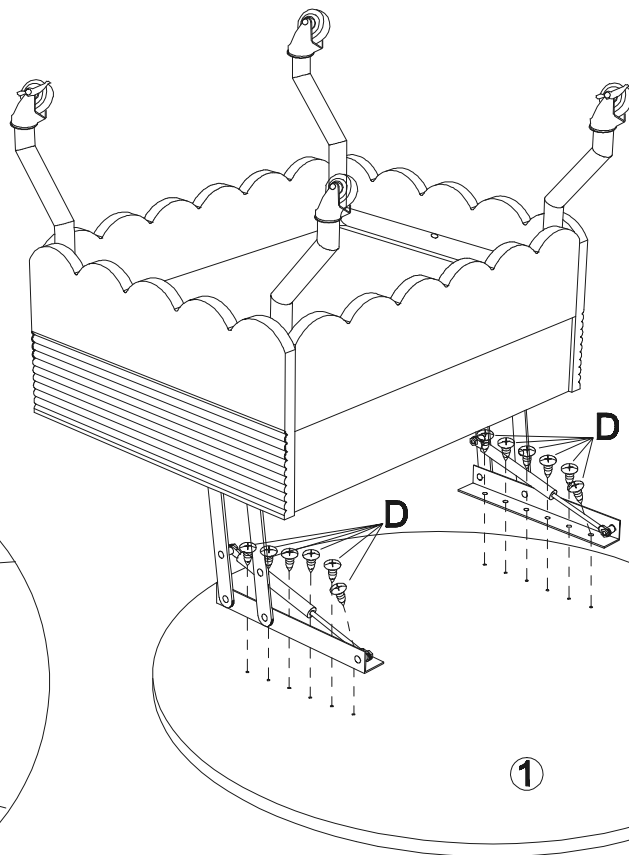
H		I		F		K	
	x2		x2		M6*30mm x6		x1


Step 5



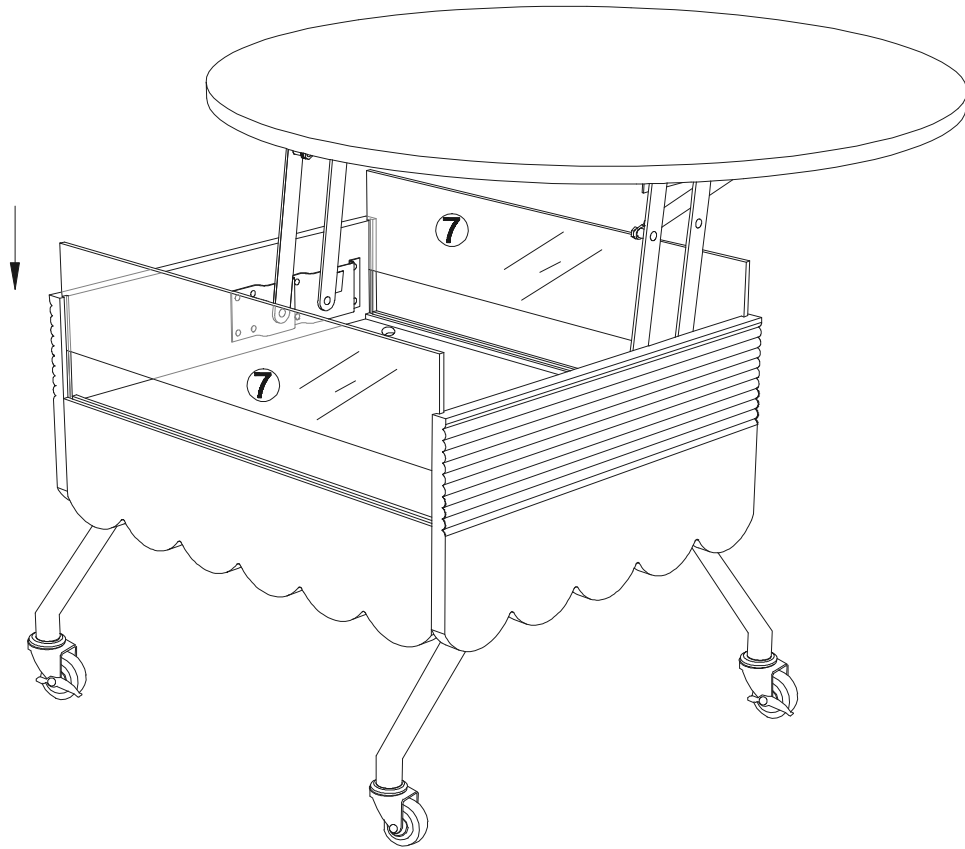
E 
Φ4*12mm
x16

Step 6

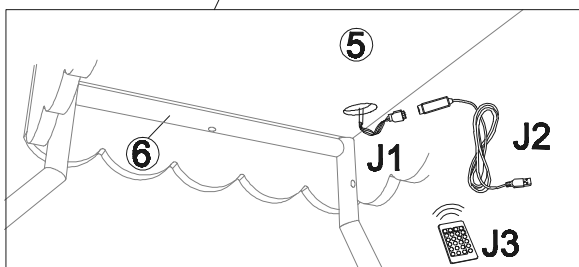
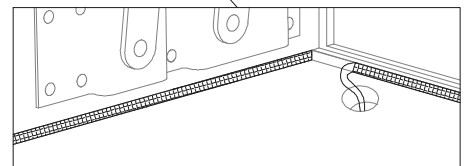
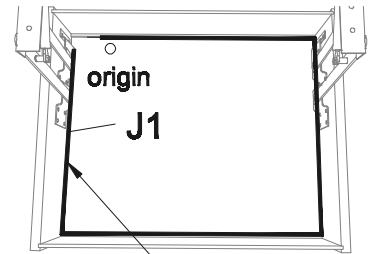
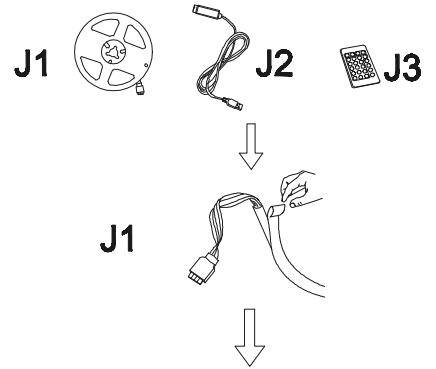
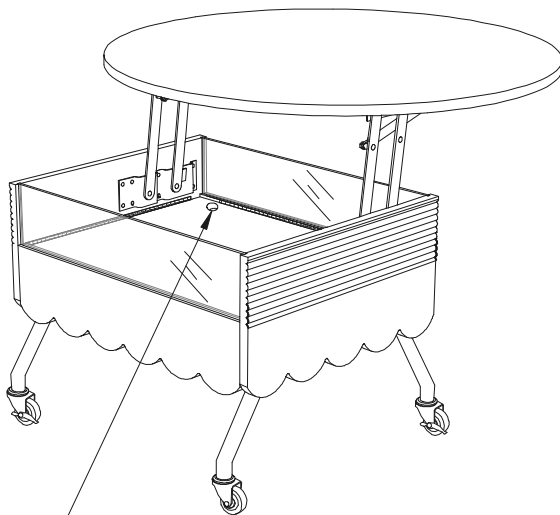


D 
Φ4*14mm
x12

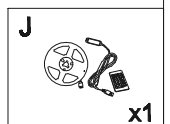
Step 7



Step 8



Please use CR2025 type batteries.
Veuillez utiliser des piles de type
CR2025.



Step 9

