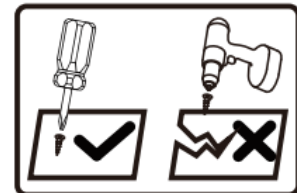
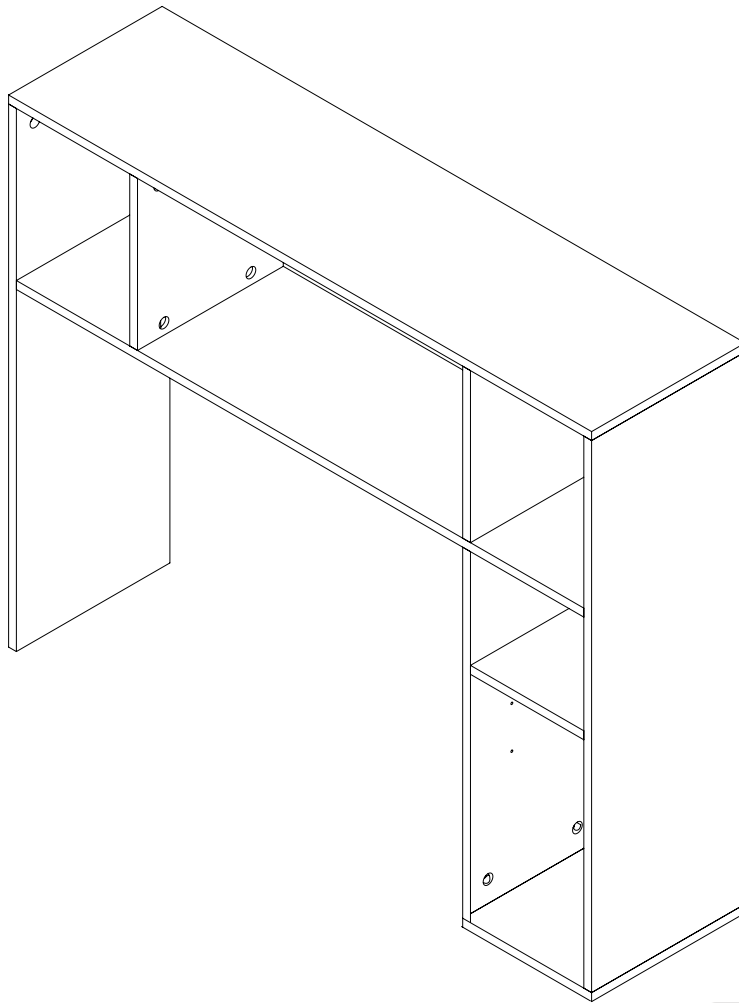


# Assembly Manual



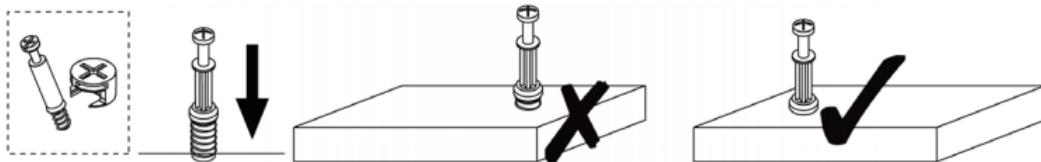
**Model: ZSSJ-01/02**



Please read the instruction manual carefully before use the product and properly keep it.

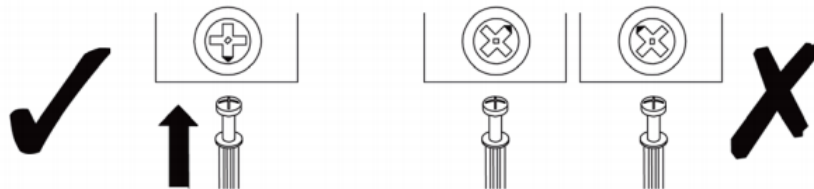
# PARTS ASSEMBLY PRECAUTIONS

## Quickfit



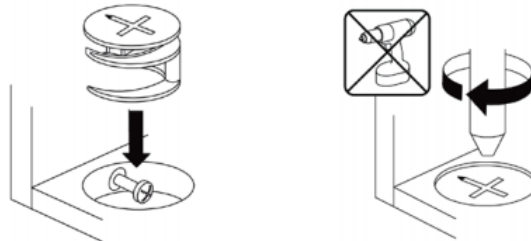
- Tighten quickfit until shoulder is flush with panel. Do not overtighten or undertighten.

## Cam lock



- When fitting cam lock, ensure starting position is correct before you insert connecting quickfit.

## Assembly Connectors



- Quickfit head should be in the centre of the cam lock when the two panels are joined.
- Cam lock should be inserted before quickfit.
- Turn cam lock clockwise to tighten.

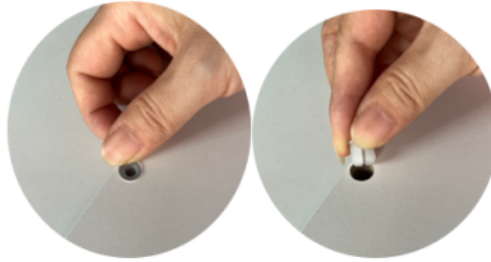


## 3-in-1 embedment installation instructions



### Step 1. Disconnect the parts:

Twist the insert to separate it from the metal screw.



### Step 2. Insert and position:

Press vertically into the pre-drilled hole, ensuring the insert is flush with the board surface and securely seated.



### Step 3. Attach and secure:

Align the metal screw with the insert's threaded hole, then tighten with a screwdriver until secure.

# Safety Warnings & Assembly Guide

## Pre-Assembly

- Read the manual carefully and verify all accessories are complete.
- Choose a flat, well-lit assembly area, and lay a blanket or soft mat to protect the floor and product surface.
- Prepare necessary tools (manual tools are recommended to avoid over-tightening with power tools).

## Child Safety Warnings

- This product contains small parts (screws, nuts, etc.). Keep away from children during assembly to prevent choking hazards.
- Do not allow children to climb, jump or play on the unit to prevent tipping injuries.
- After assembly, recommend installing corner guards (optional accessories) on sharp edges.

## Assembly Safety Standards

- Assembly requires 2 adults (unit weight exceeds 20kg).
- Wear work gloves to prevent cuts from metal parts or panel edges.
- Tighten screws step by step. Do not over-tighten at single points to avoid panel cracking.
- Special notes:
  - Assemble the frame first to ensure main structure stability before installing doors.
  - Shelves must be perfectly level (check with a spirit level).
  - Use all provided washers for hinge screws.



## Post-Assembly Checks

- Stability test: Gently shake to detect looseness.
- Door test: Ensure smooth opening/closing.
- Load test: Confirm shelf pins are fully engaged.
- Anti-tip test: For units >1.2m, must attach wall straps.

## Usage Precautions

- Maximum load limits
  - Shelves:  $\leq 15\text{kg}$  per shelf (evenly distributed).
  - Top surface: Do not place items exceeding 60kg.
- Environmental requirements
  - Keep at least 50cm away from heat sources (radiators/stoves).
  - Avoid direct sunlight to prevent panel deformation/fading.
- Prohibited actions
  - Dragging assembled units (lift to move).
  - Using sharp objects directly on surfaces.

## Maintenance

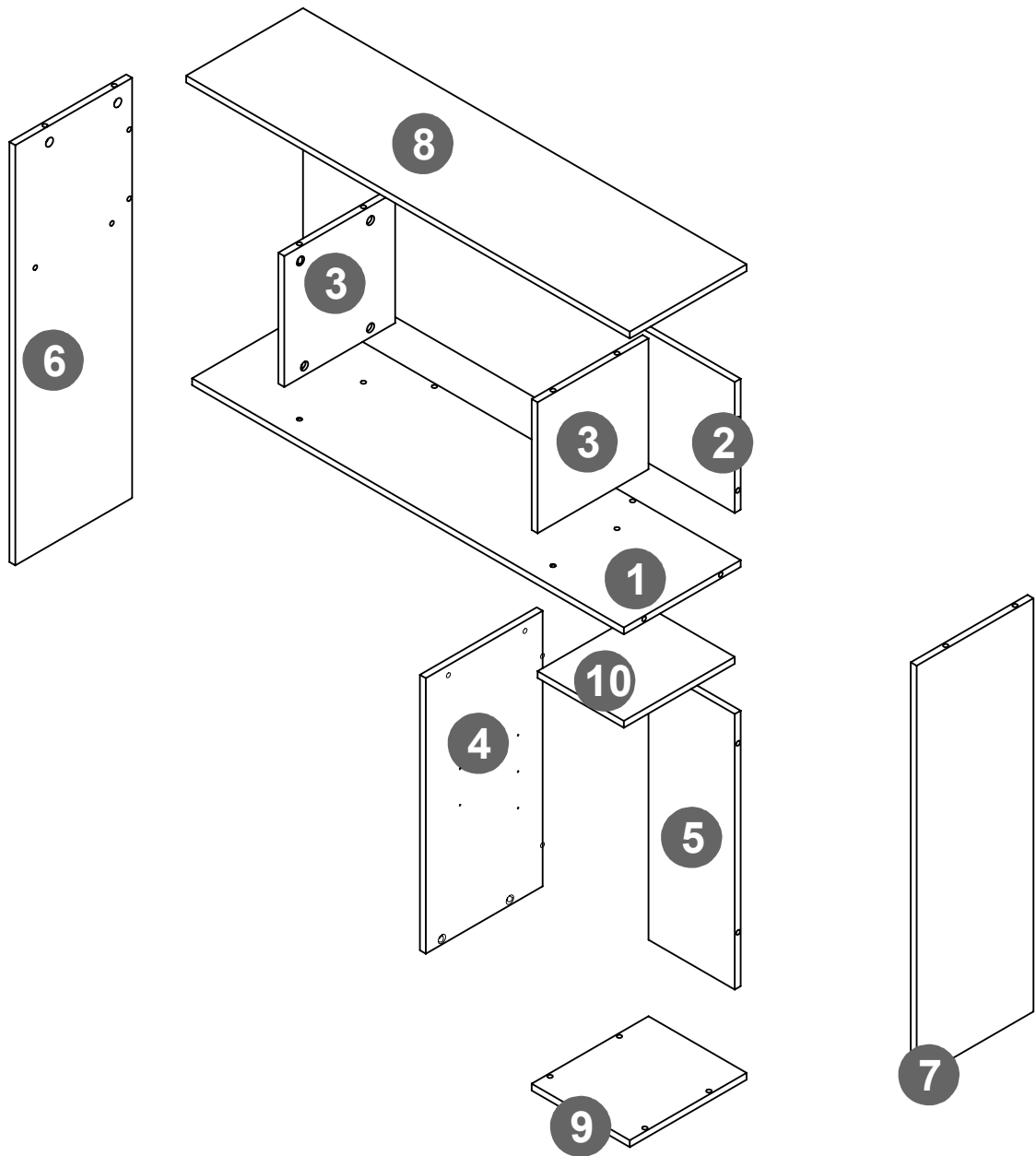
- Monthly: Check and tighten all connectors.
- Clean with a slightly damp soft cloth only. Do not use corrosive cleaners.
- Immediately stop use if structural looseness is found and contact after-sales service.

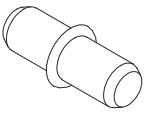
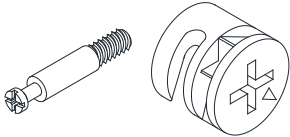
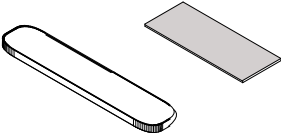
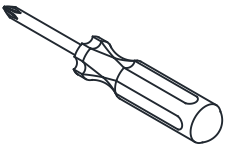
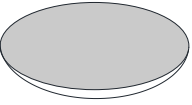
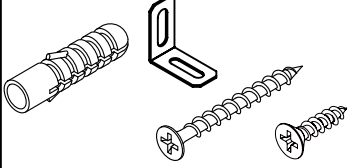
## Support

- Contact the seller where you purchased for faster resolution.
- Email: HOMAVO@hotmail.com



Note: Please provide your order number, product name, and photos/videos of the problem. Our team will respond within 1-2 business days.

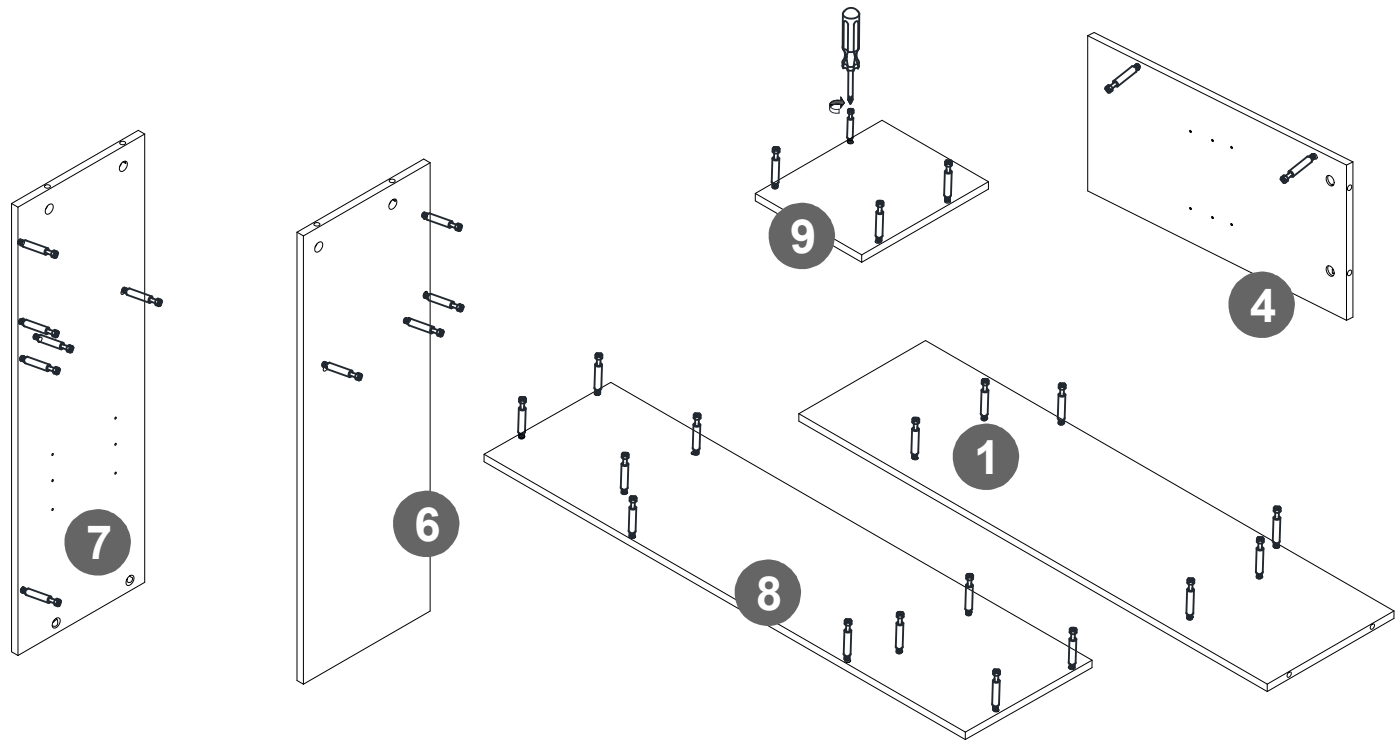
# Parts List





<p><b>A</b> x4</p> 	<p><b>B</b> x34</p> 	<p><b>C</b> x1</p> 	<p><b>D</b> x1</p> 
<p><b>E</b> x30</p> 	<p><b>F</b> x2</p> 		

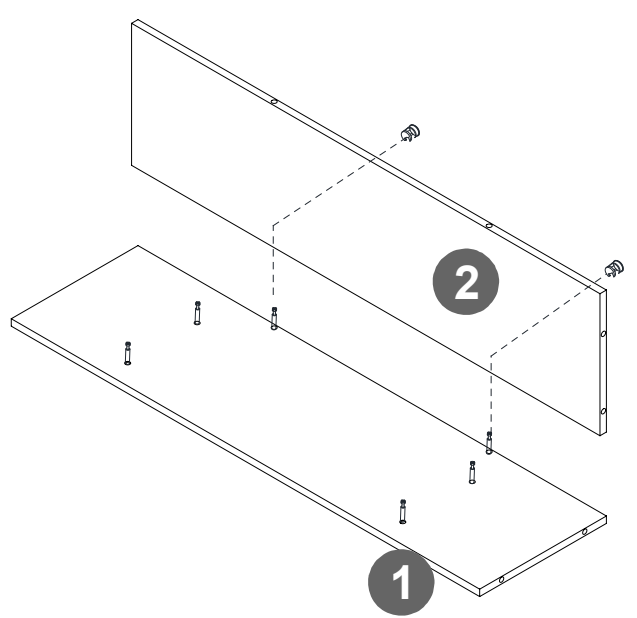
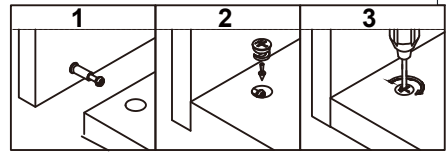
# Step1

<b>D</b> x1	<b>B</b> x32
	





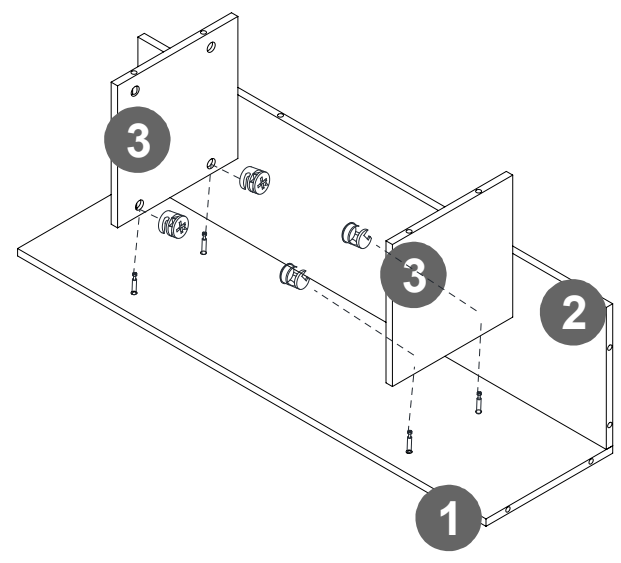
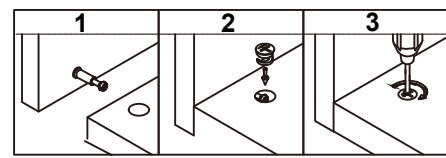
# Step2

<b>D</b> x1	<b>B</b> x2
	

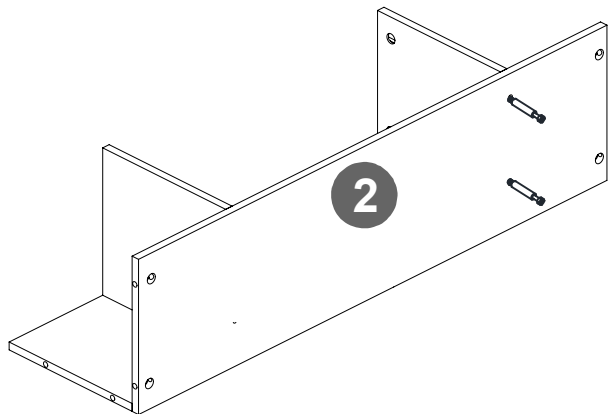


# Step3

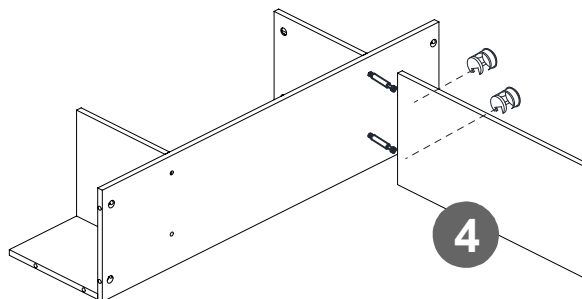
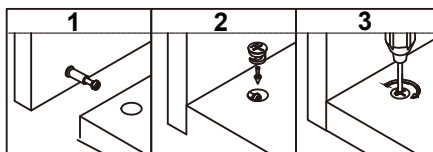
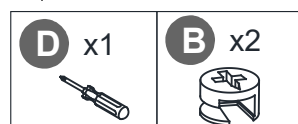
<b>D</b> x1	<b>B</b> x4
	



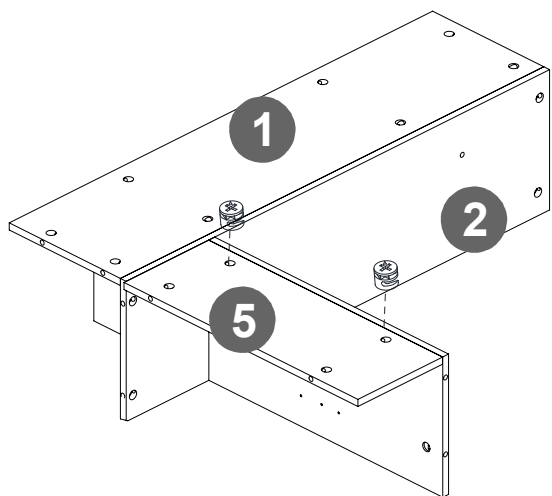
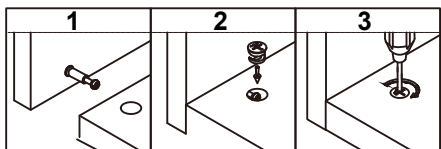
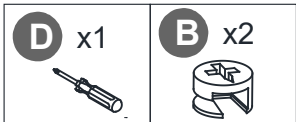
### Step4



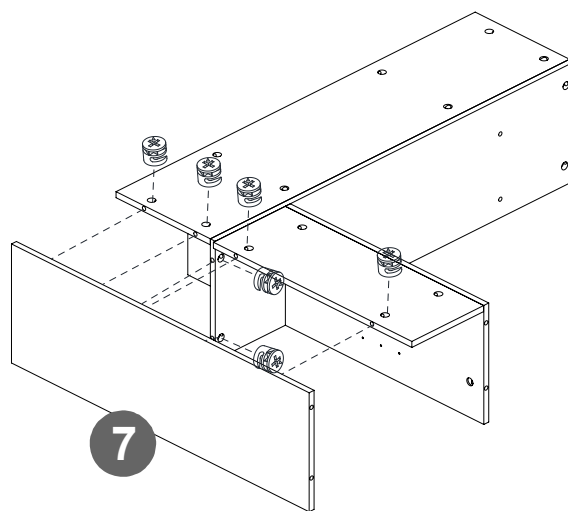
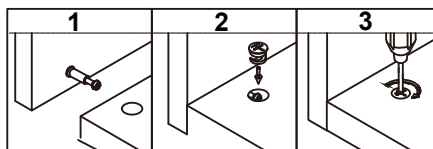
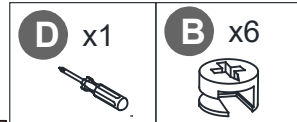
### Step5





### Step6

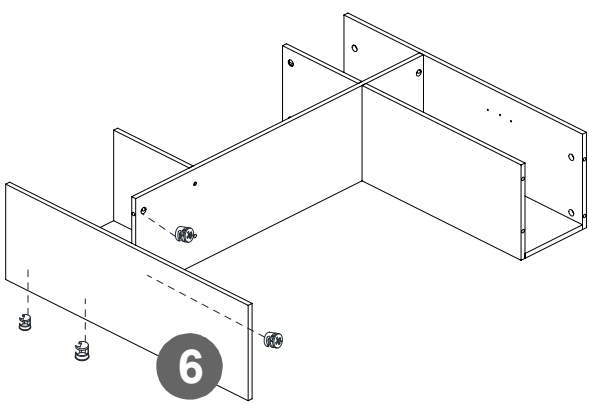
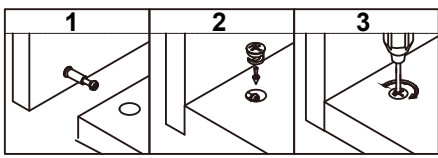


### Step7





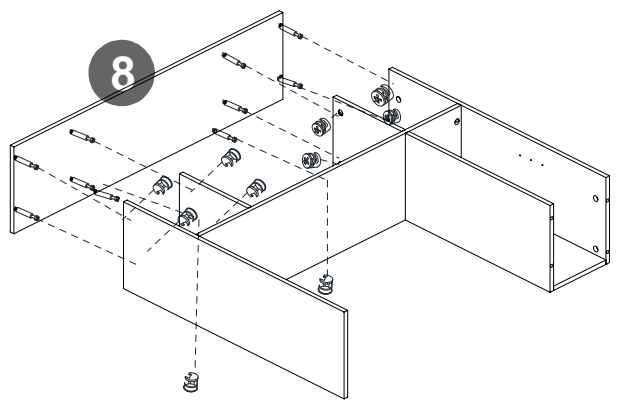
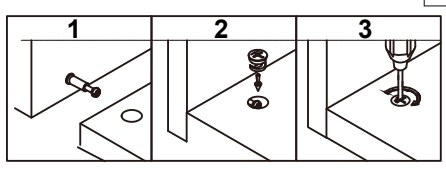
### Step8

<b>D</b> x1 	<b>B</b> x4 
---	---





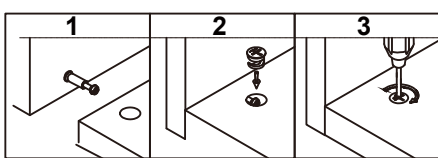
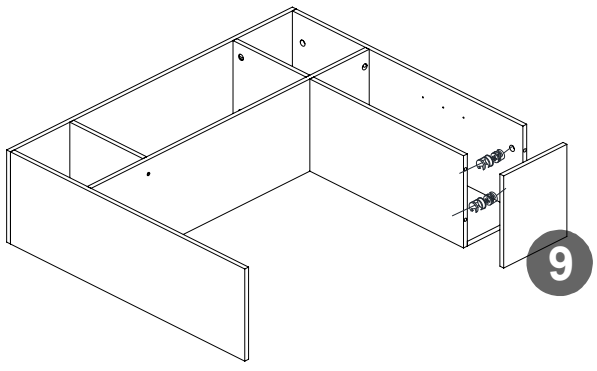
### Step9

<b>D</b> x1 	<b>B</b> x10 
--	---

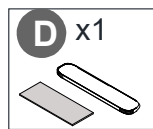


### Step10

<b>D</b> x1 	<b>B</b> x4 
---	--

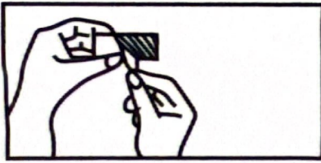


# Step11

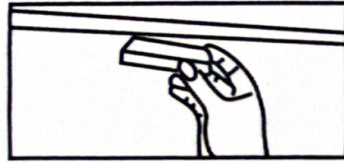


## Instructions for use

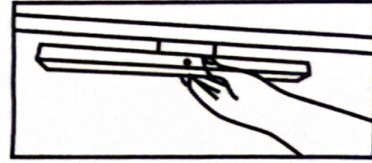
### Install



Tear off the adhesive backing of the base.

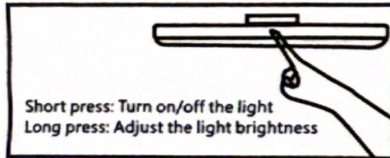


Paste the base onto a smooth, clean, and dry surface and press it firmly, then leave it undisturbed for 24 hours.

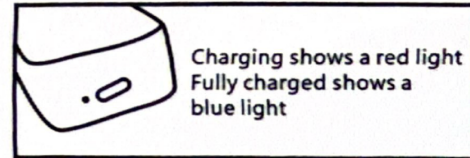


Magnetically attach the lamp body to the base.

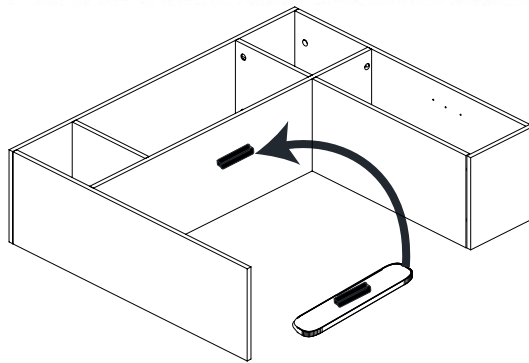
### Use



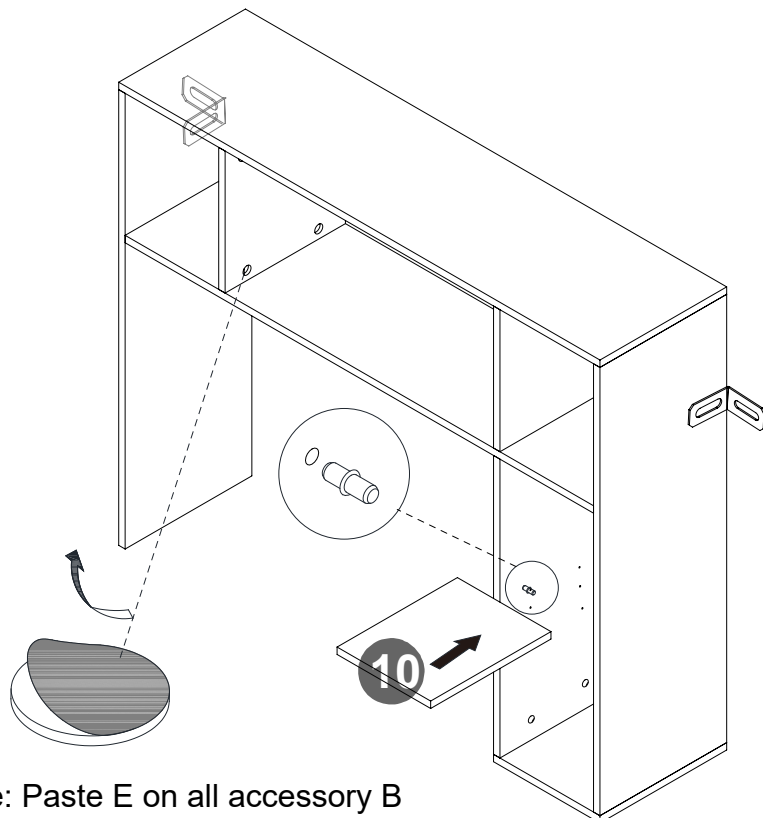
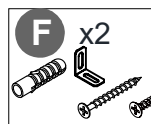
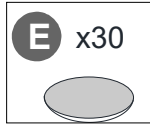
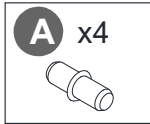
Short press: Turn on/off the light  
Long press: Adjust the light brightness



Charging (connecting to power supply)  
Charging shows a red light  
Fully charged shows a blue light



# Step12



Note: Paste E on all accessory B

