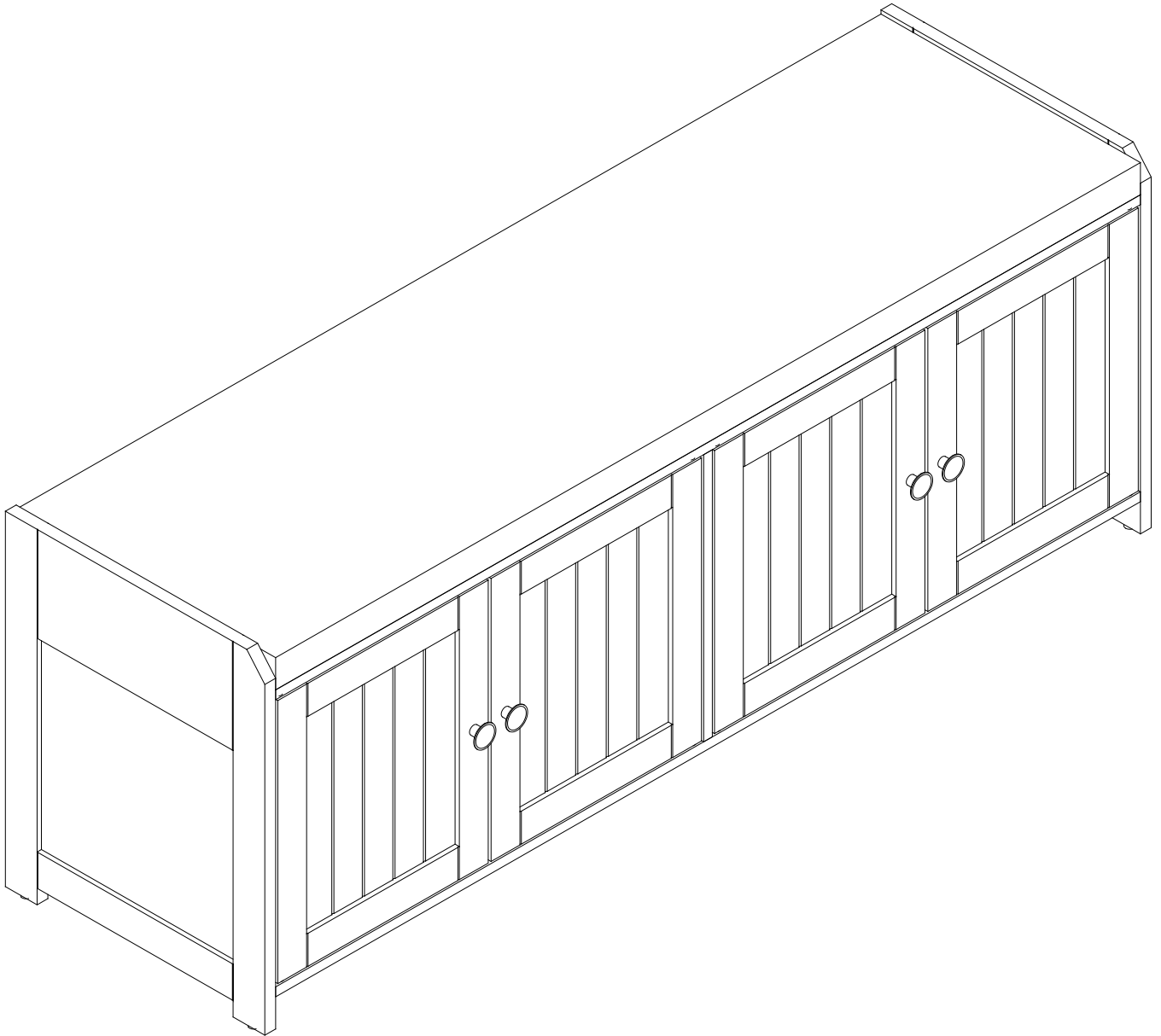


# Shoe Bench



## General Guidelines

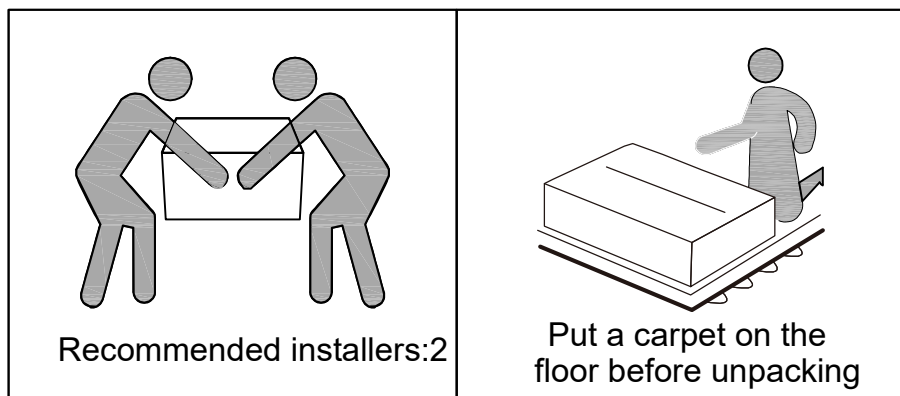
- \* Please read the following instruction carefully and use the product accordingly.
- \* Please keep this manual and hand it over when you transfer the product.
- \* This summary may not include every detail of all variations and considered steps. Please contact us when further information and help are needed.

## Notes

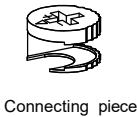
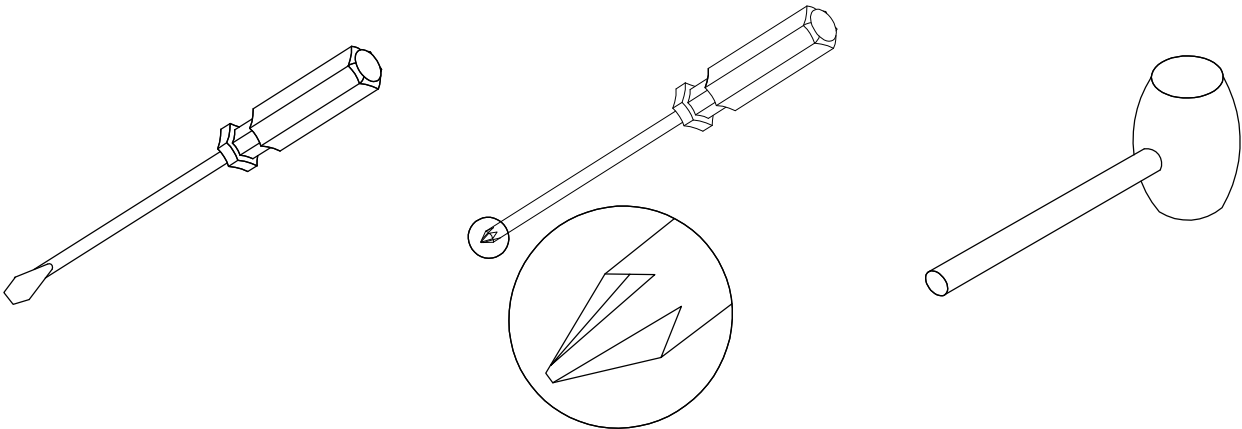
- \* The product is intended for indoor use only. The product must be assembled and used in accordance with the provisions of the manual. Personal injury and/or damage to product may occur if products are used outside of their intended purposes and/or if products have been changed/modified from their original design. The seller does not assume any responsibility or liability with respect to any injury/damage caused by incorrect assembly or improper use.
- \* If there are any defective or missing parts after unpacking, please cease assembly immediately and contact us.
- \* Please wear gloves during the assembly and/or disassembly process to avoid scratches from any sharp edges..
- \* Please place this item on level, solid ground during use.
- \* Avoid long-term exposure to humid environments to prevent mildew.
- \* Keep the product away from fire sources and high temperatures. Do not expose the product to direct sunlight.
- \* Do not place any hot objects on the surface of the product.
- \* **Do not fully tighten the screws during initial assembly. Fully tighten screws only once all pieces which are correctly assembled**

## Warnings

- \* Children are not allowed to assemble the product. During assembly, keep all any small parts out of the reach of children as they may be fatal if swallowed or inhaled.
- \* Children are forbidden to climb or play on the product to avoid serious bodily injury caused by the toppling.
- \* Keep plastic packing bags out of reach of children to avoid any potential danger, such as suffocation.



# ASSEMBLY TOOLS REQUIRED (NOT INCLUDED)

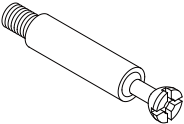


<p>Adjust connecting piece direction until it is properly lined up with the hole.</p>	<p>Insert bolt when connecting piece direction is properly lined up.</p>

1.
2.
3.
4.

# Hardware Provided

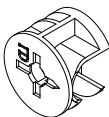
1



Φ6\*35mm

X 10

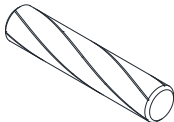
2



Φ15\*10mm

X 10

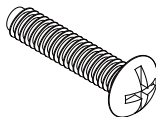
3



Φ6\*30mm

X 16

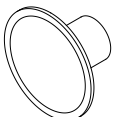
4



M4\*16mm

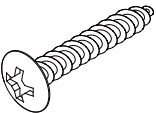
X 4

5



X 4

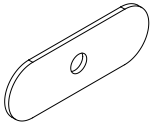
6



M4\*20mm

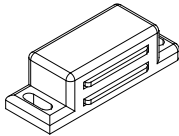
X 4

7



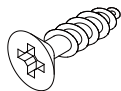
X 4

8



X 2

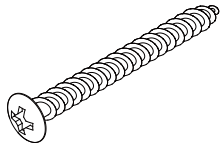
9



M3\*10mm

X 4

10

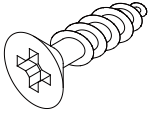


M4\*40mm

X 5

# Hardware Provided

11



M3\*14mm

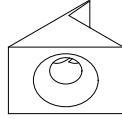
**X 12**

12



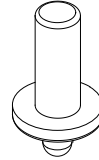
**X 8**

13



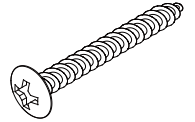
**X 8**

14



**X 8**

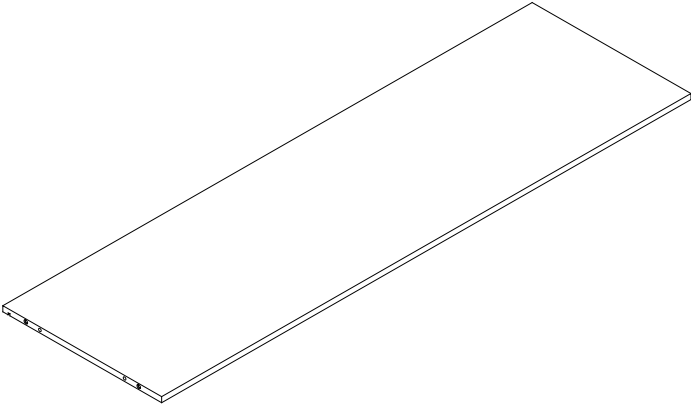
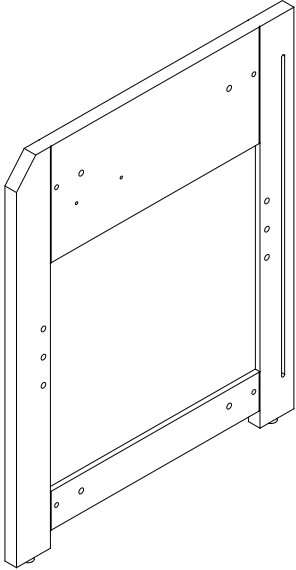
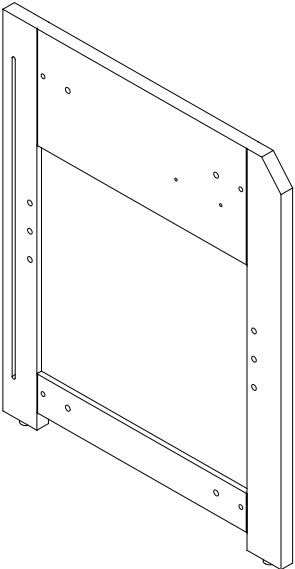
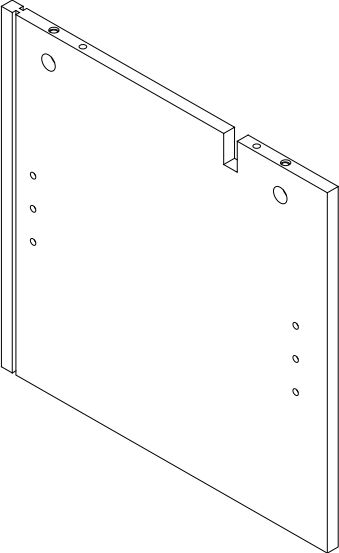
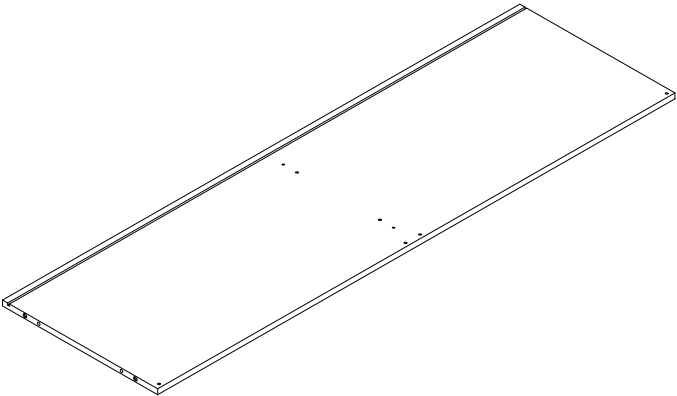
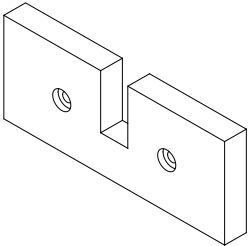
15



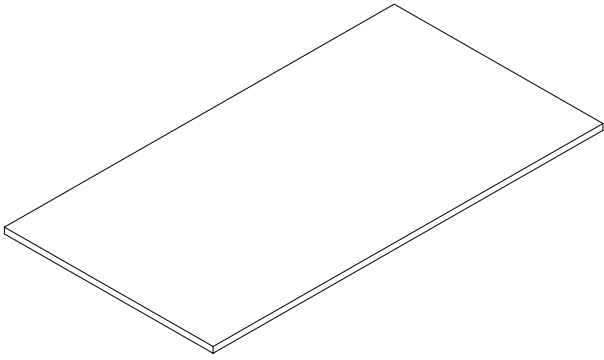
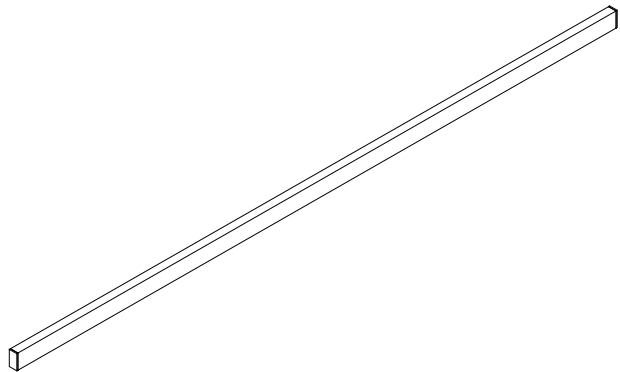
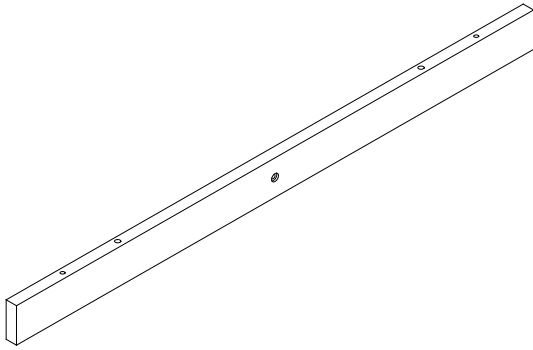
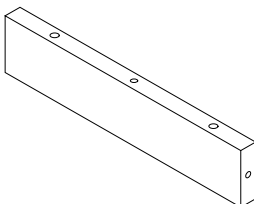
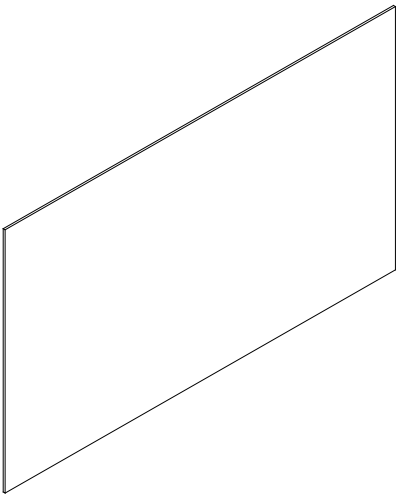
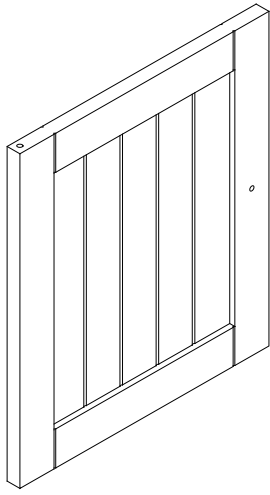
M4\*30mm

**X 1**

# Parts Identification

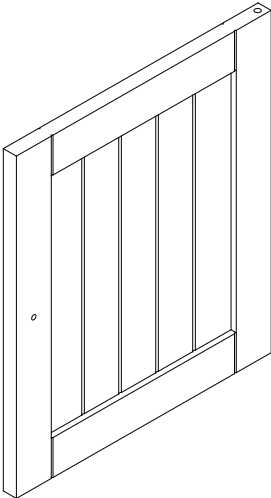
<p><b>A</b></p>  <p><b>X 1</b></p>	<p><b>B</b></p>  <p><b>X 1</b></p>
<p><b>C</b></p>  <p><b>X 1</b></p>	<p><b>D</b></p>  <p><b>X 1</b></p>
<p><b>E</b></p>  <p><b>X 1</b></p>	<p><b>F</b></p>  <p><b>X 2</b></p>

# Parts Identification

<p><b>G</b></p>  <p><b>X 2</b></p>	<p><b>H</b></p>  <p><b>X 1</b></p>
<p><b>J</b></p>  <p><b>X 1</b></p>	<p><b>K</b></p>  <p><b>X 1</b></p>
<p><b>L</b></p>  <p><b>X 2</b></p>	<p><b>M</b></p>  <p><b>X 2</b></p>

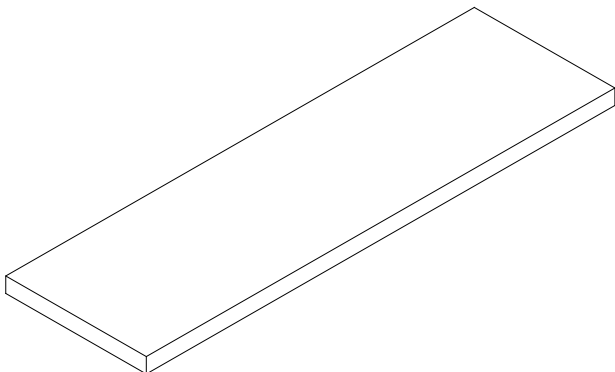
# Parts Identification

**N**



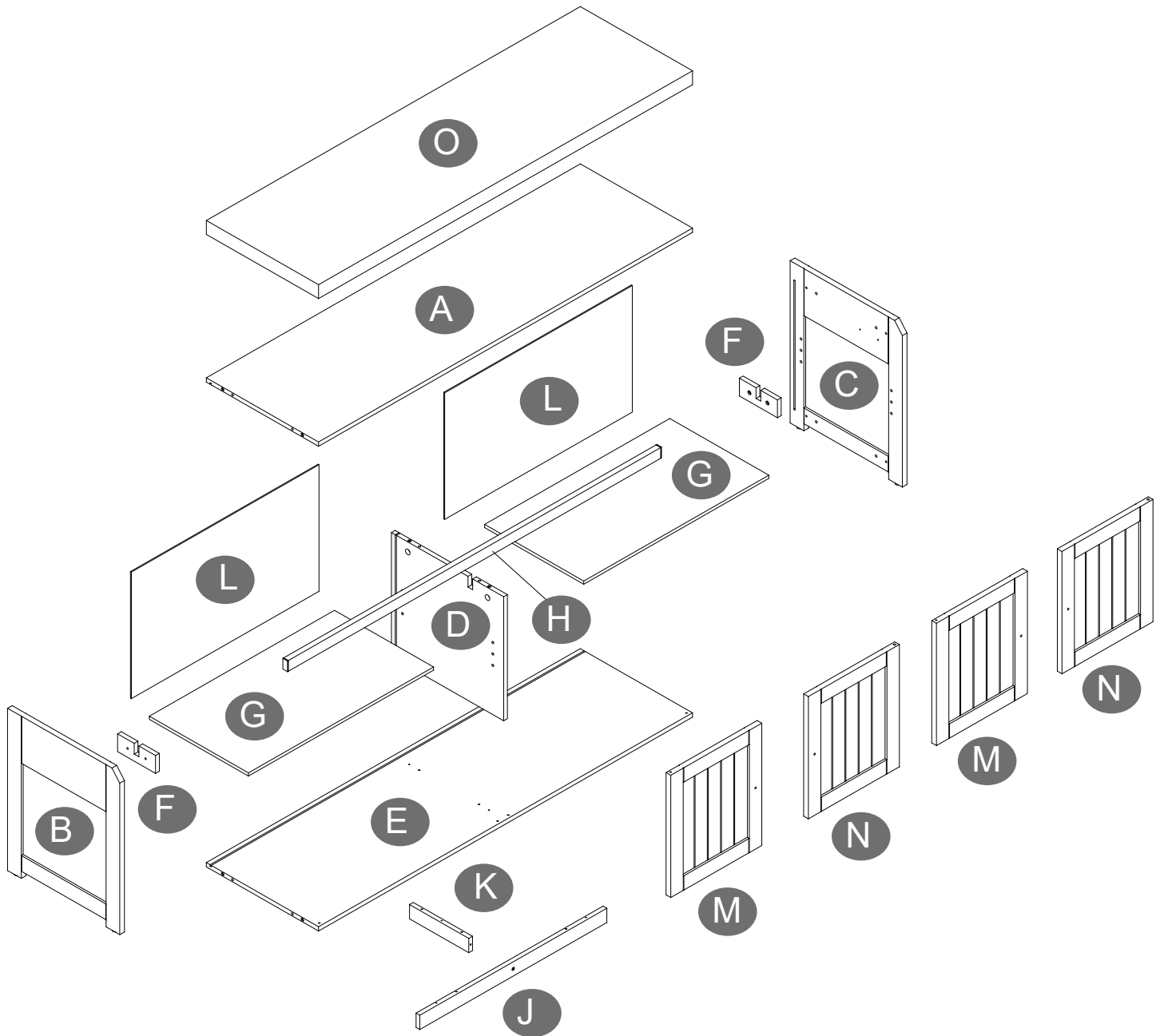
**X 2**

**O**

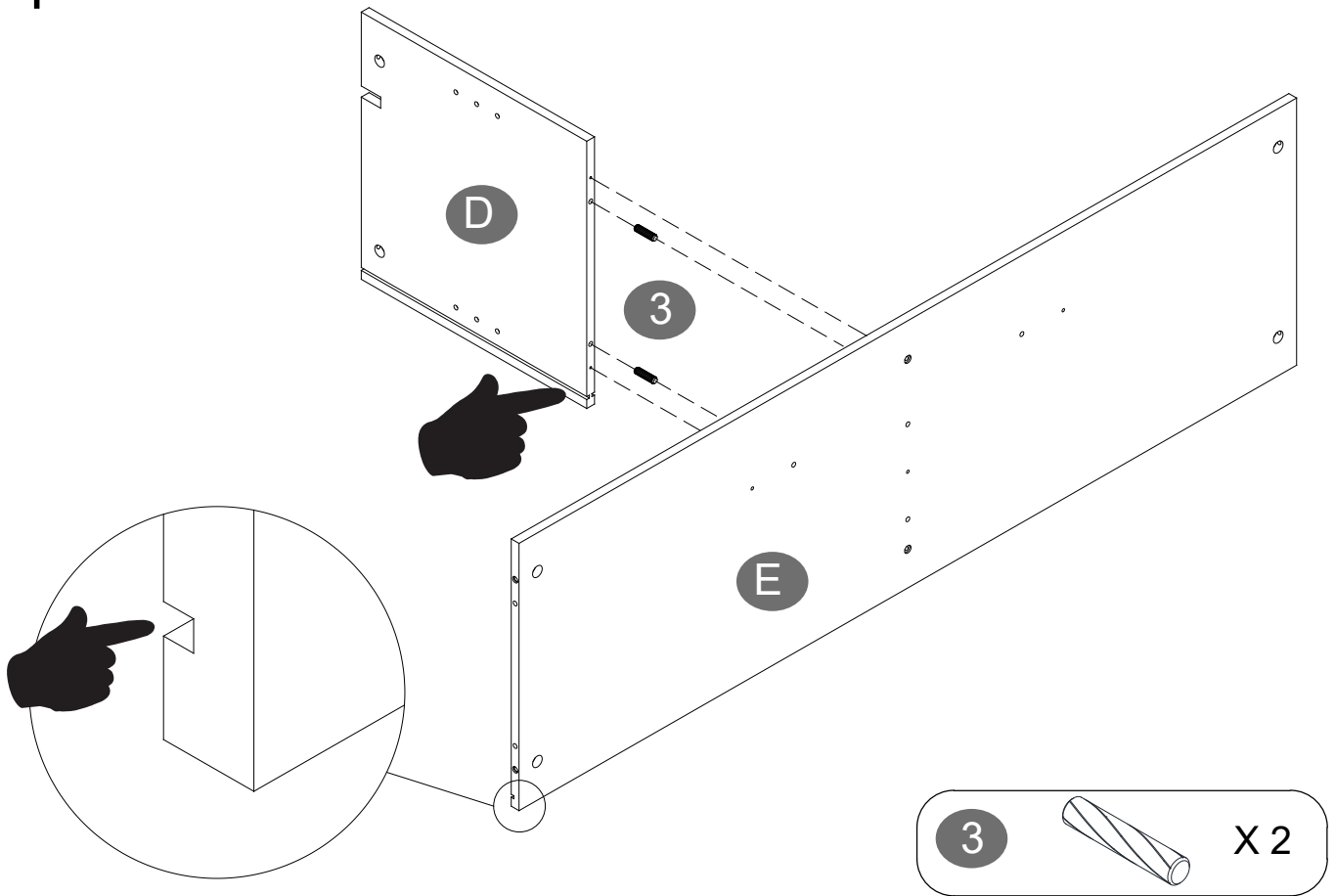


**X 1**

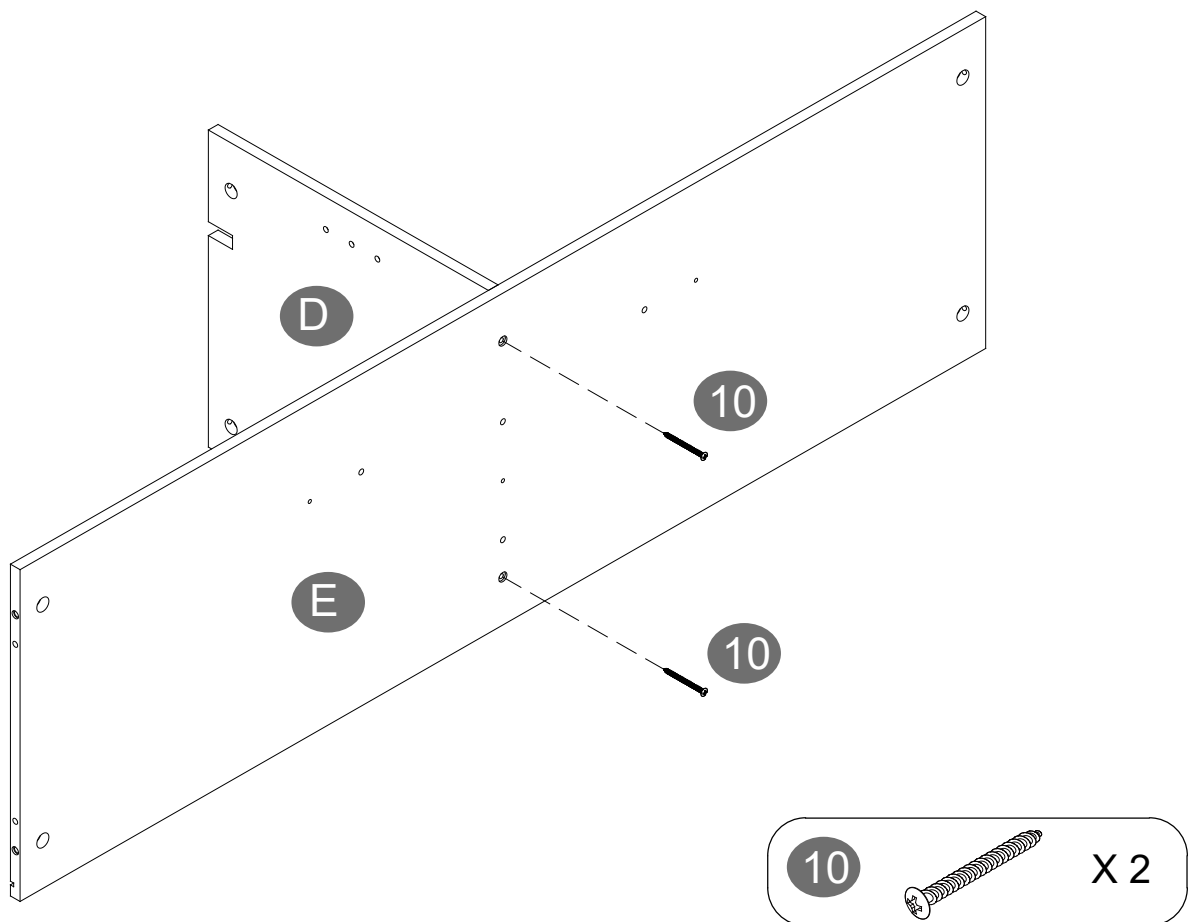
# Exploded View



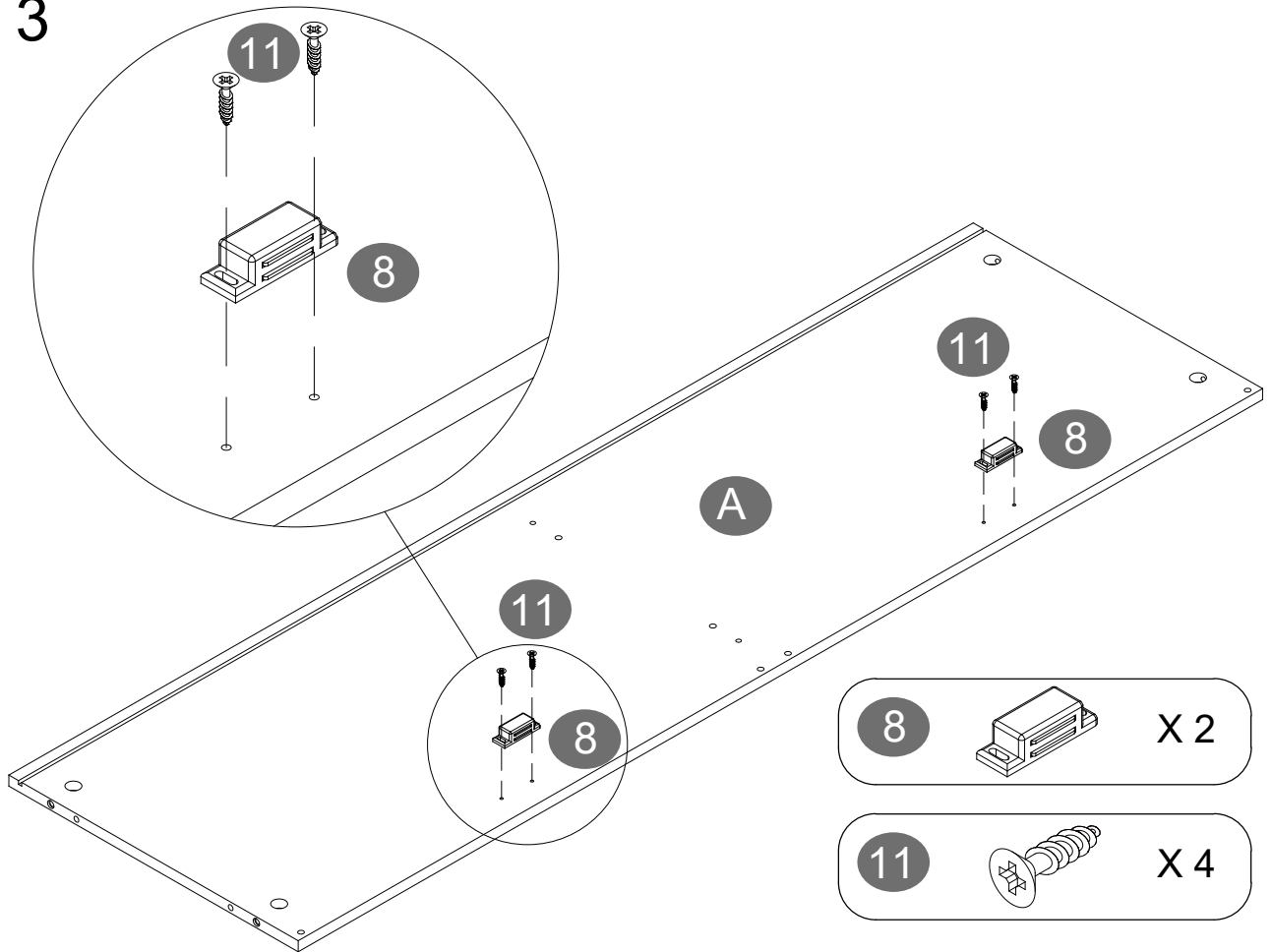
# Step 1



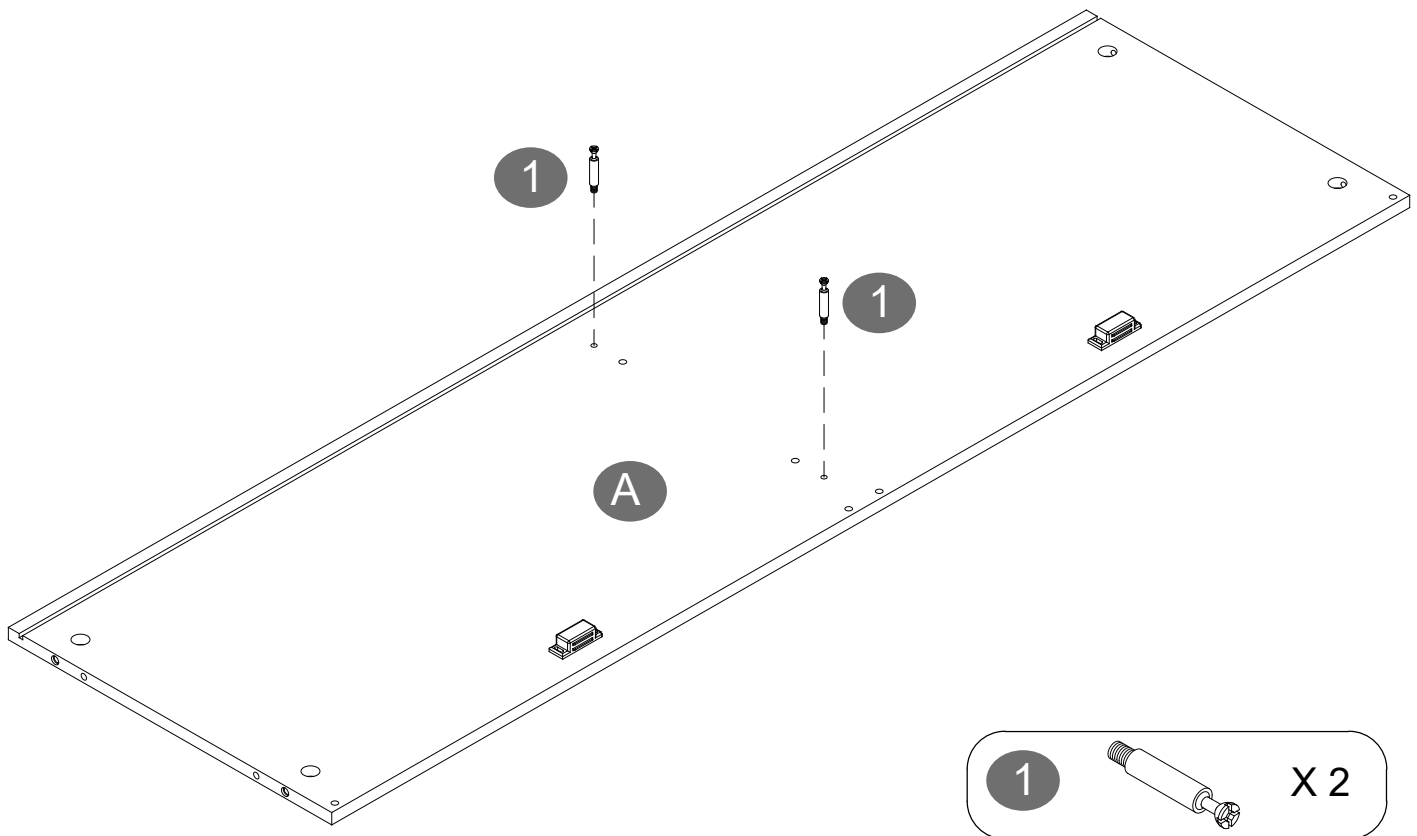
# Step 2



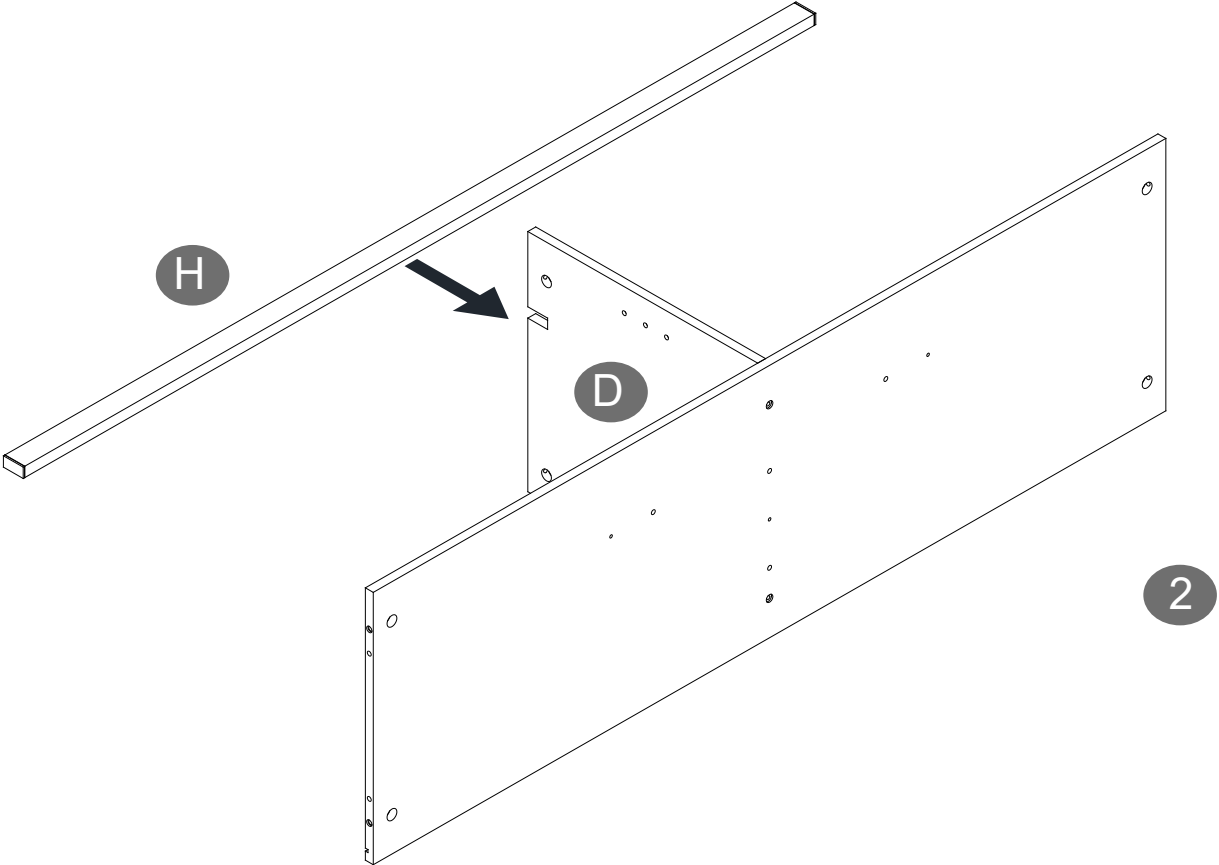
# Step 3



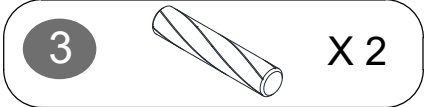
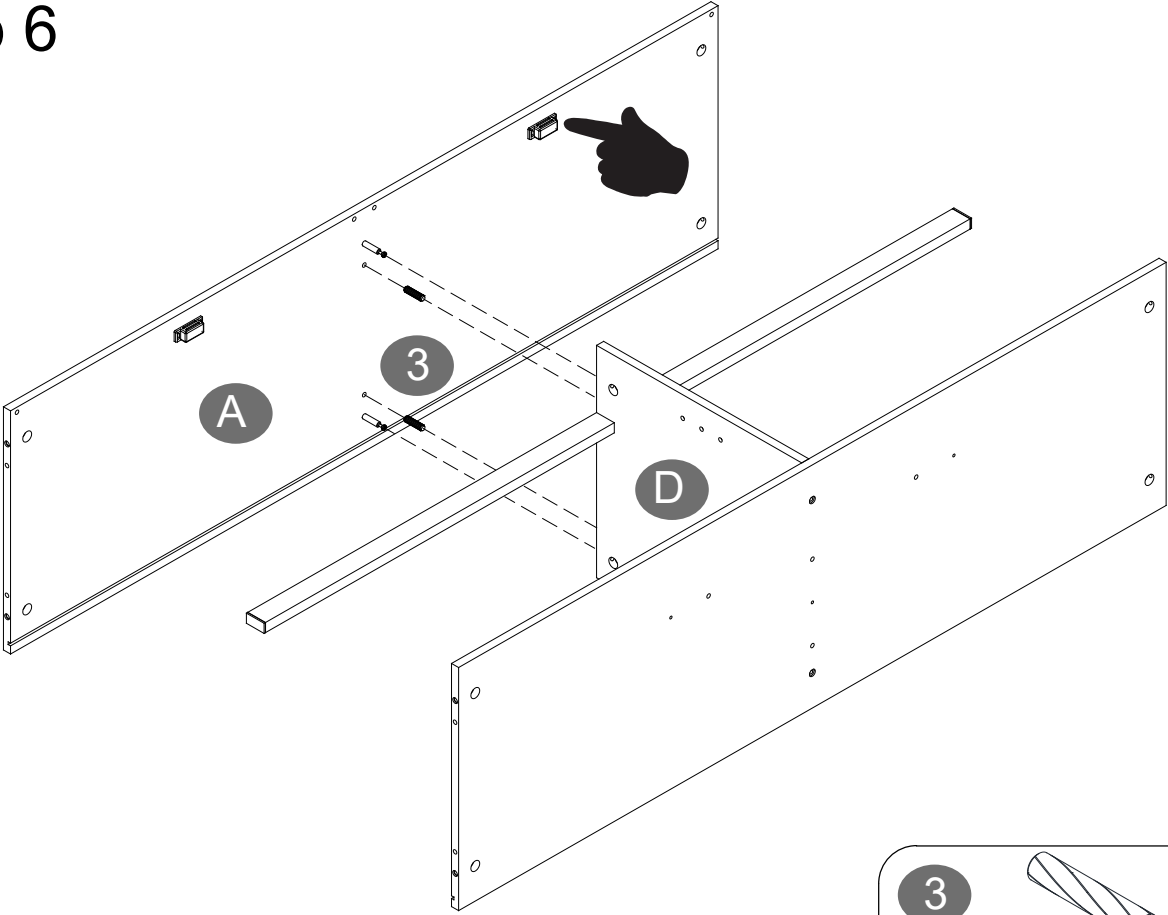
# Step 4



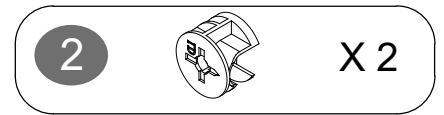
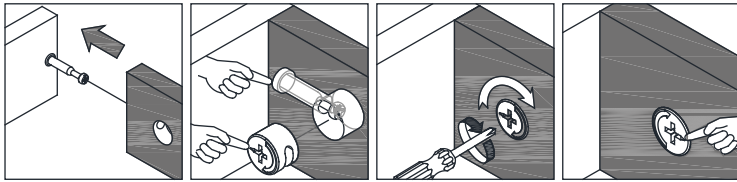
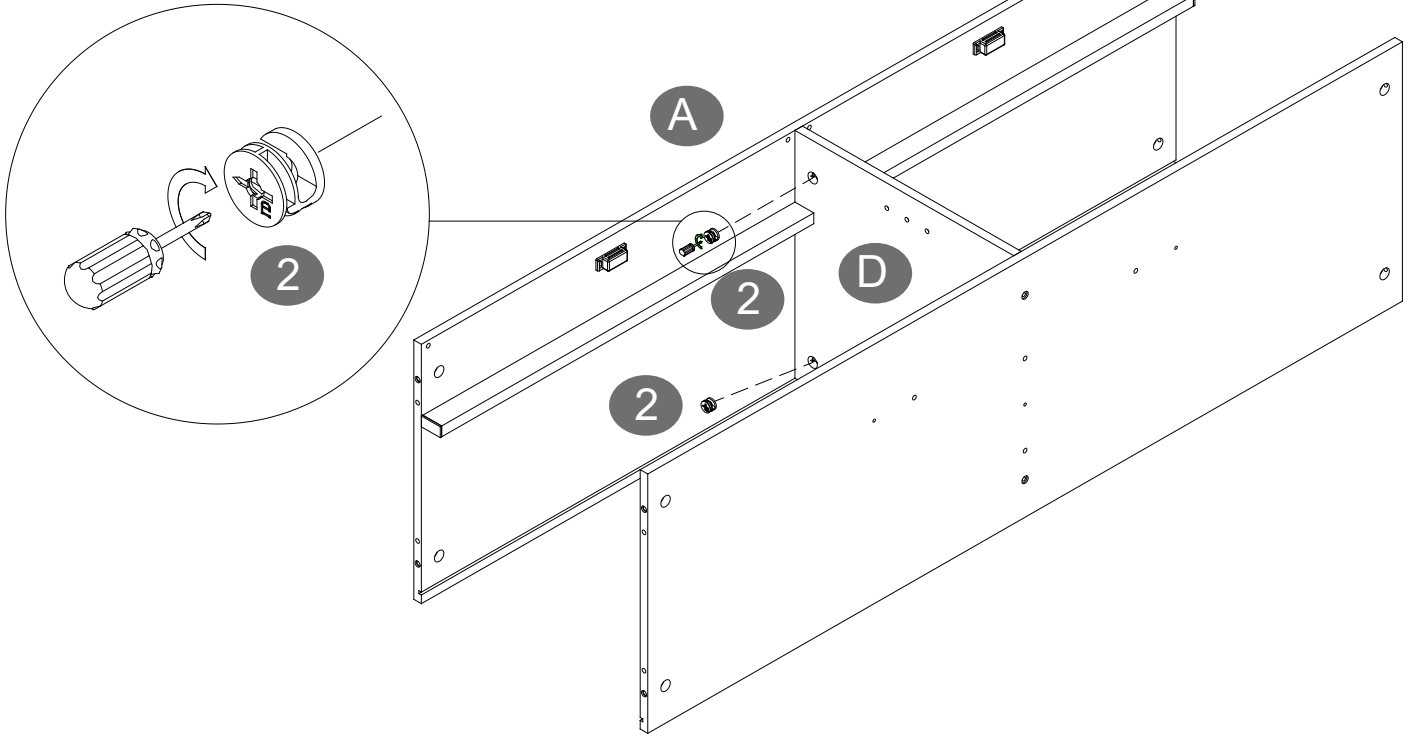
# Step 5



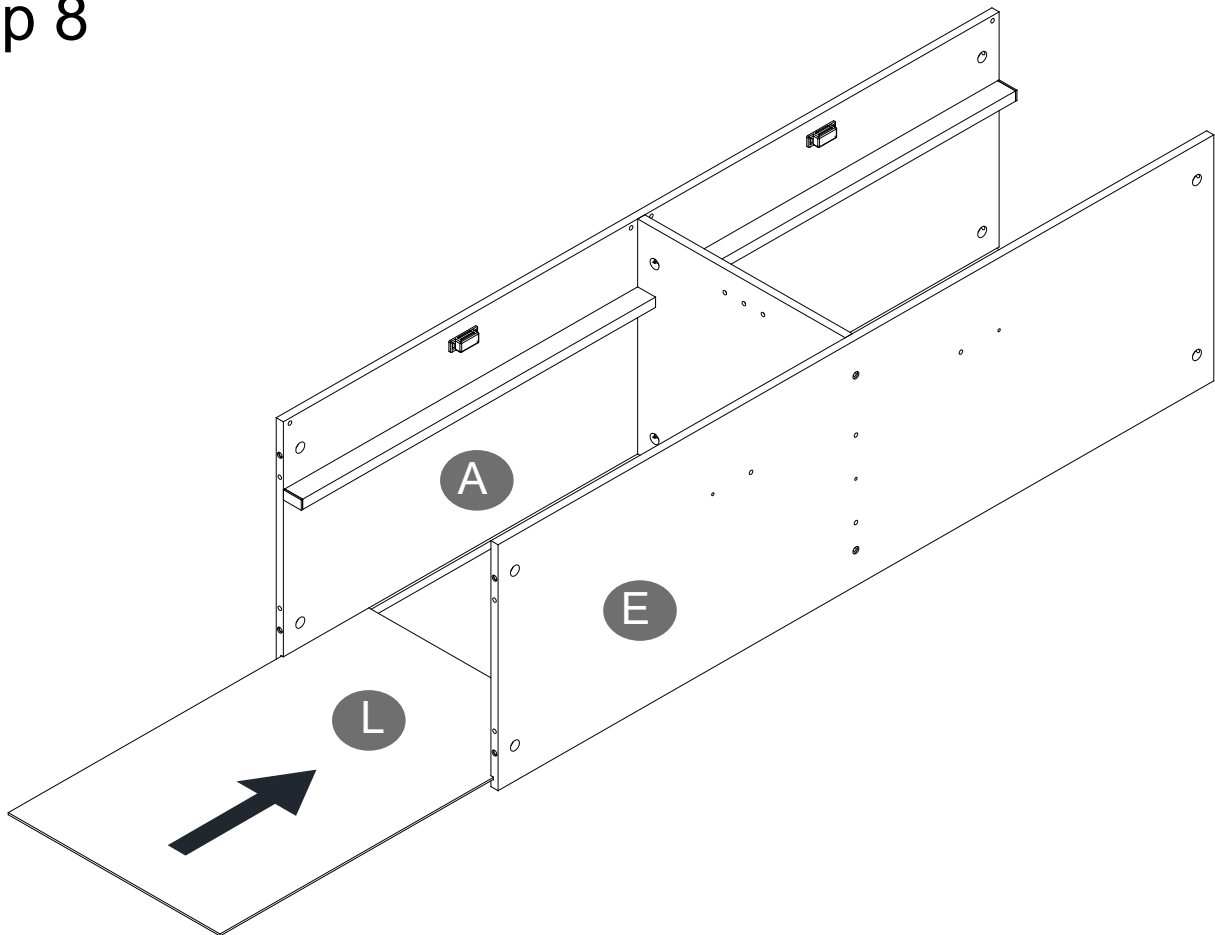
# Step 6



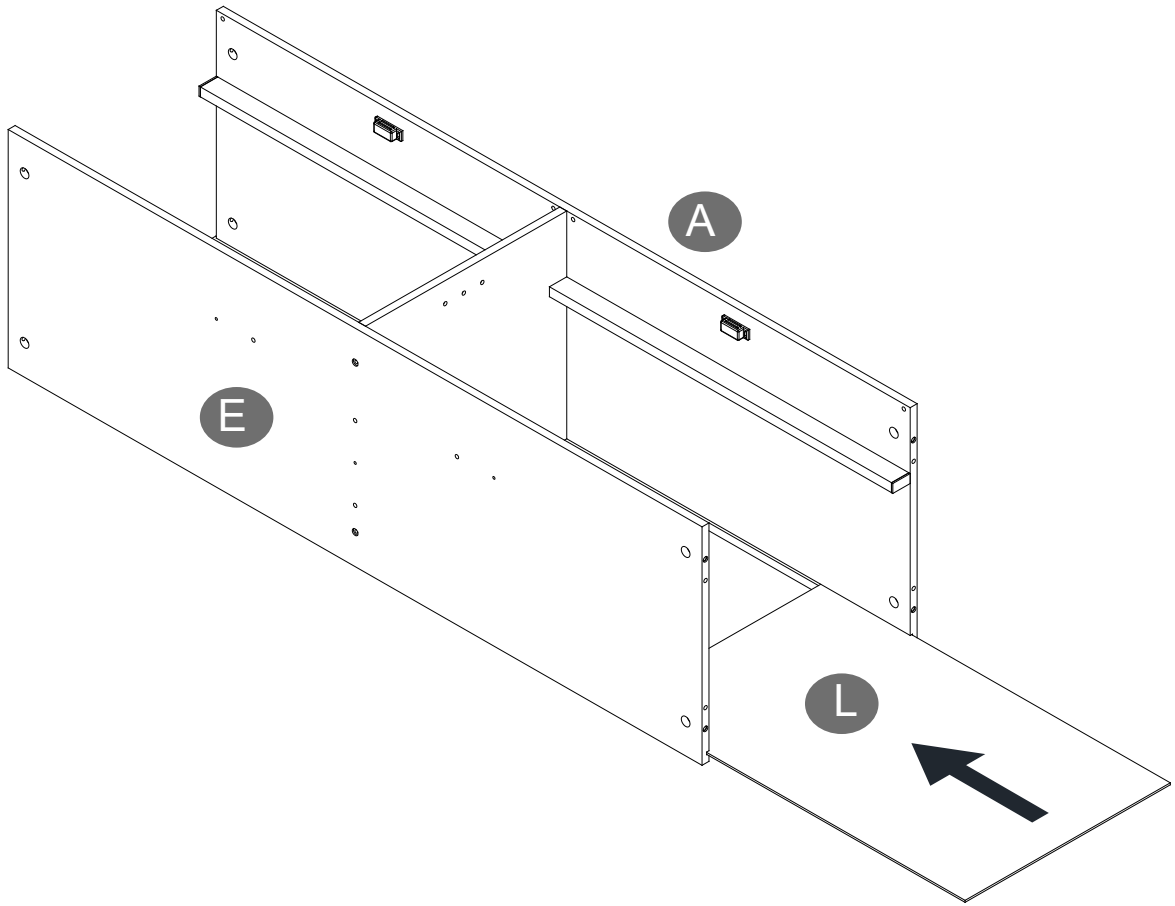
# Step 7



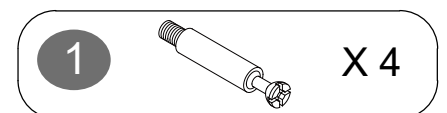
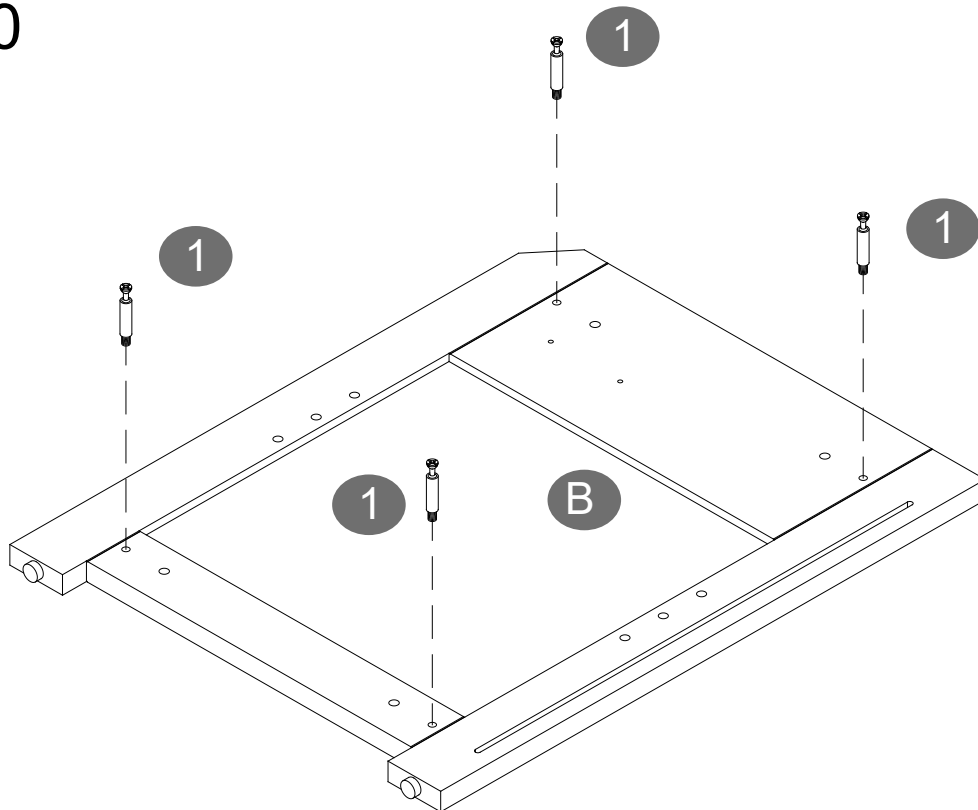
# Step 8



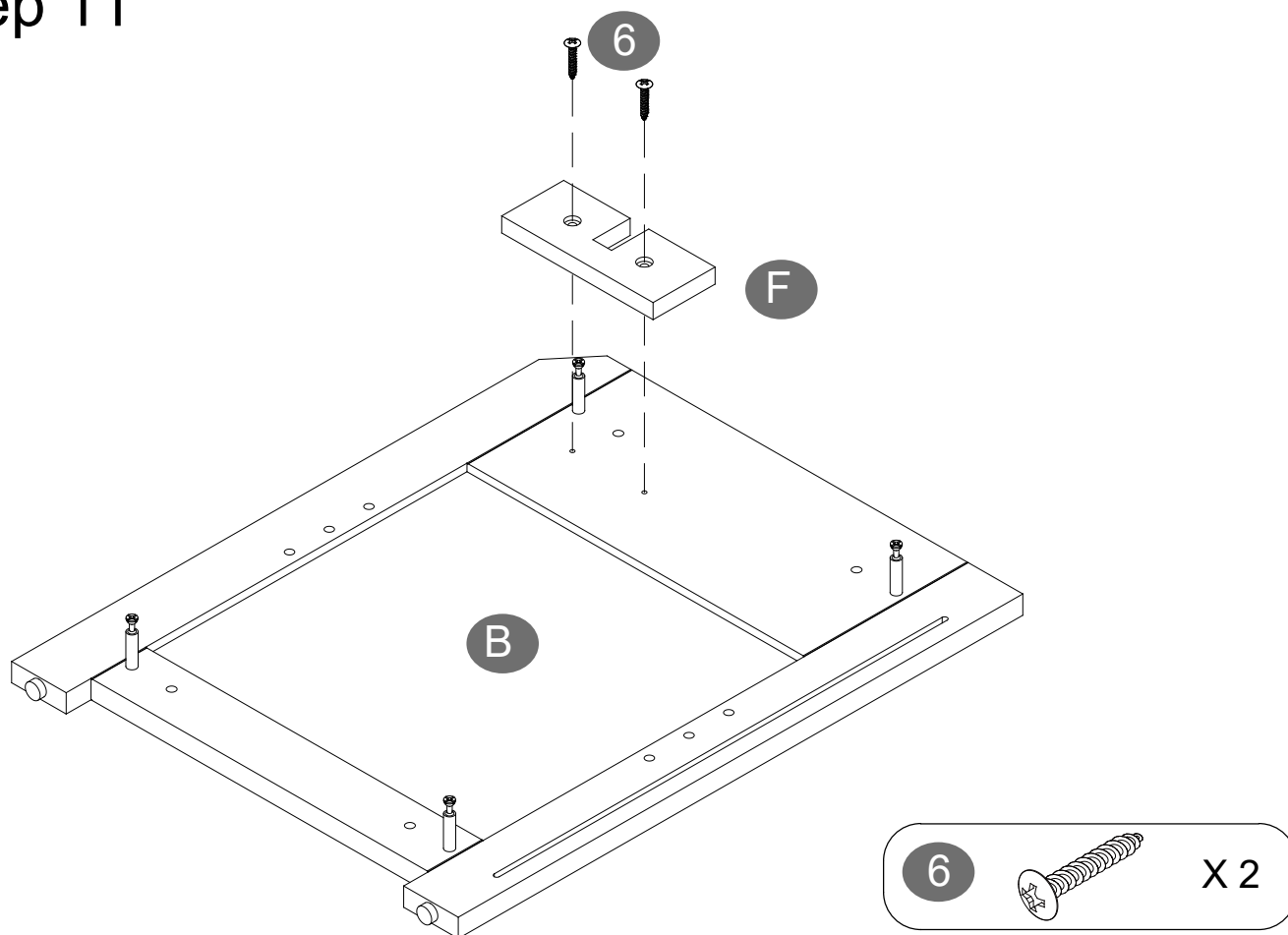
# Step 9



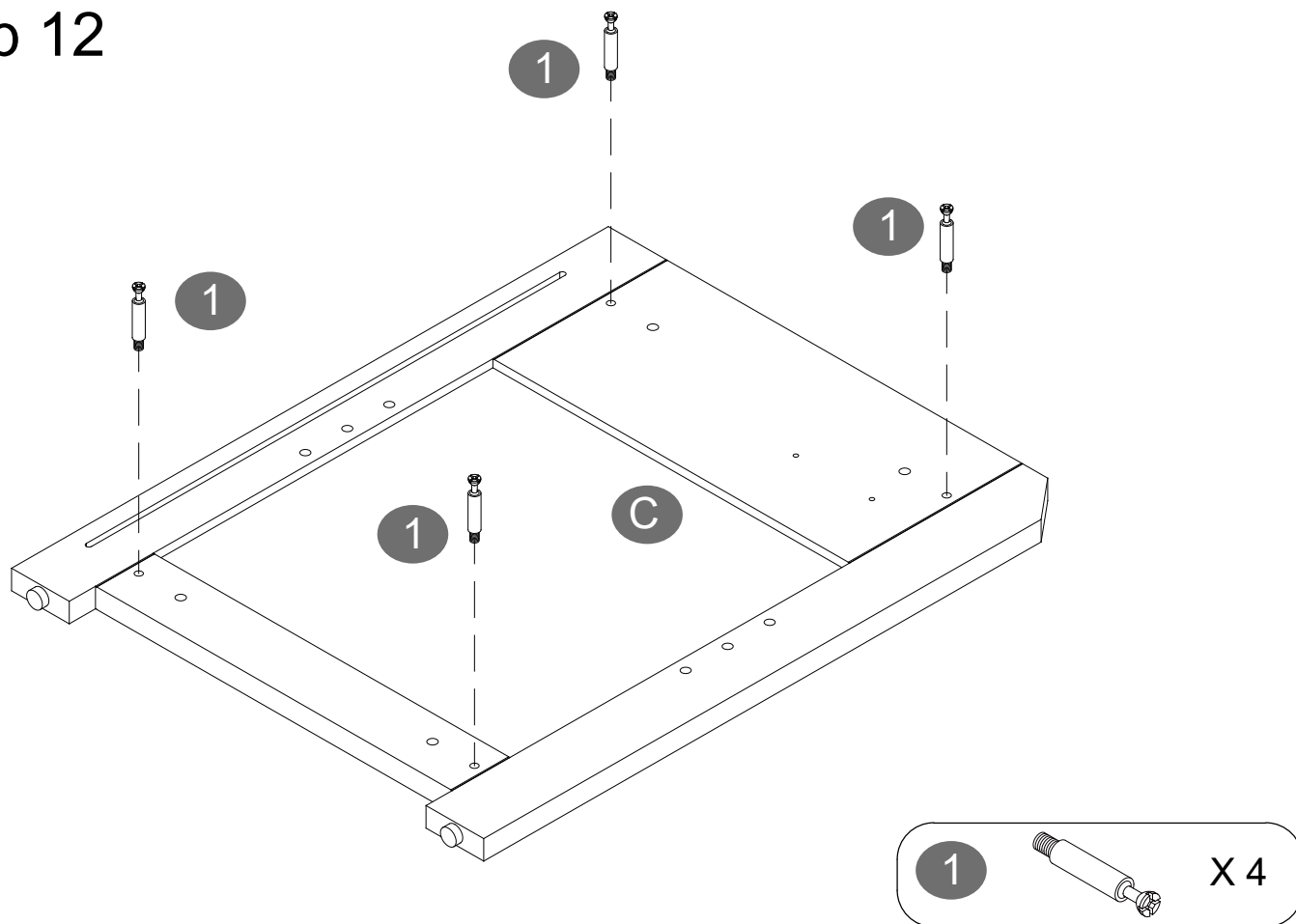
# Step 10



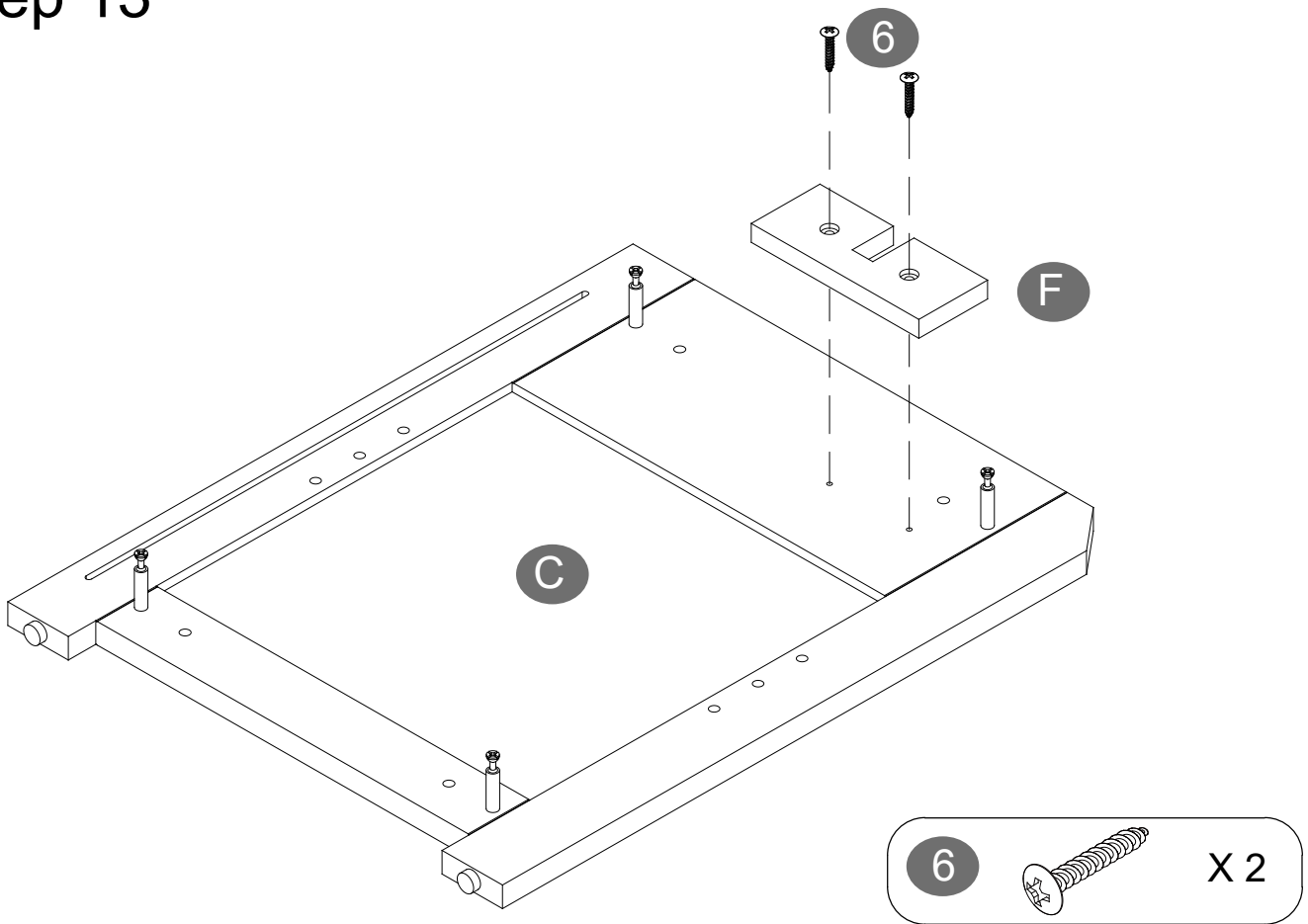
# Step 11



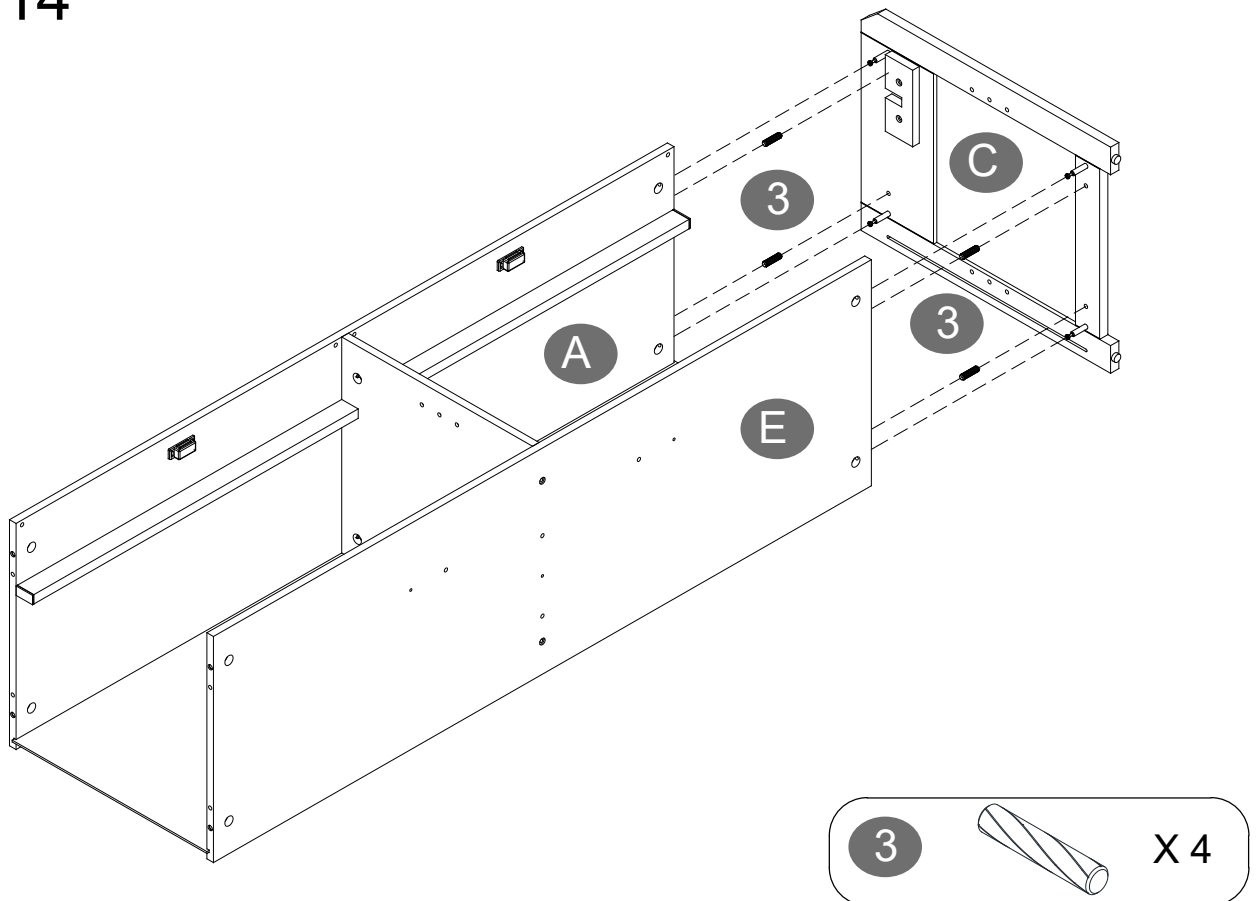
# Step 12



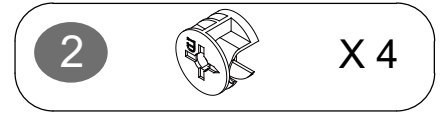
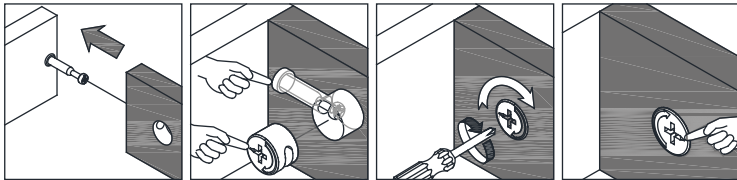
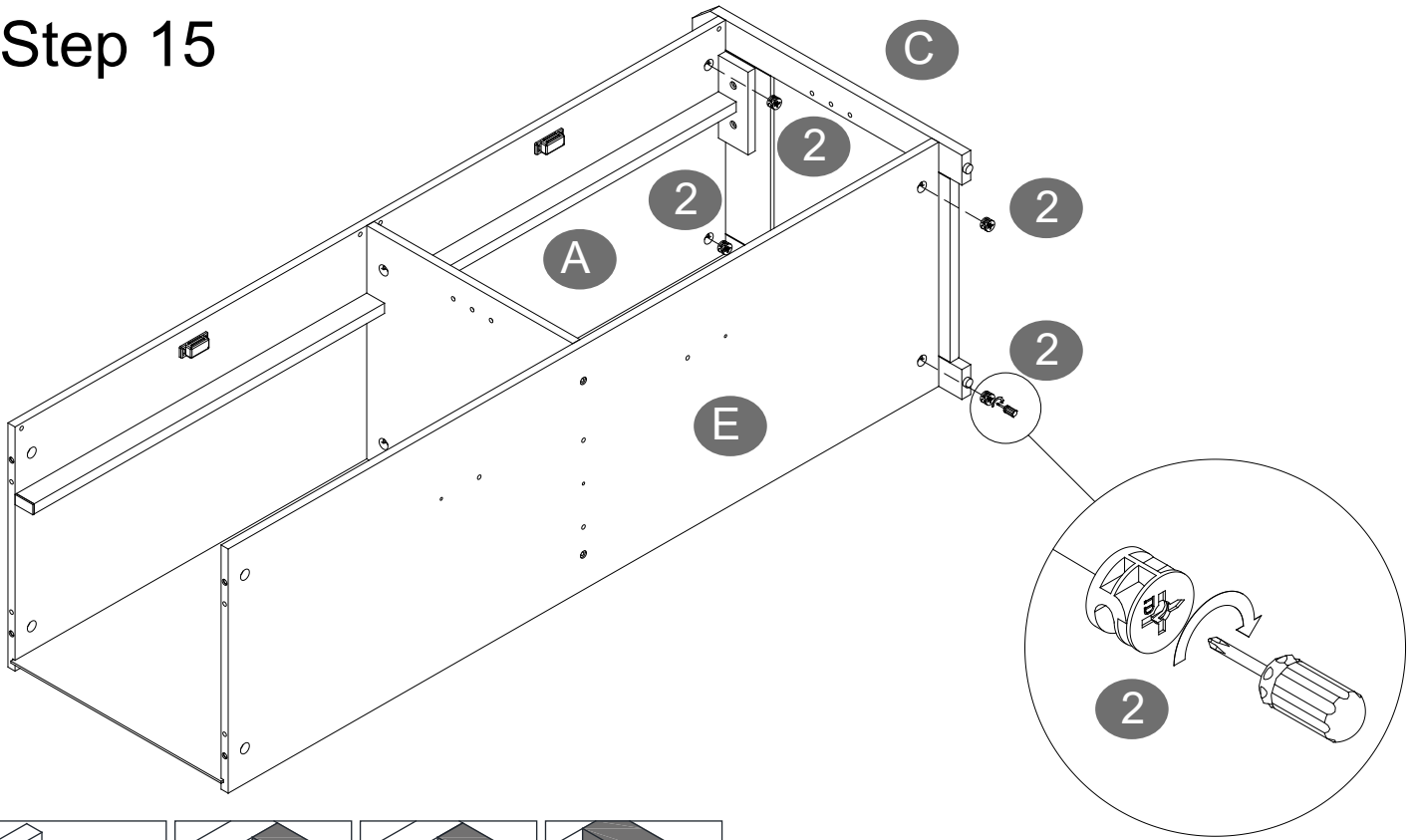
# Step 13



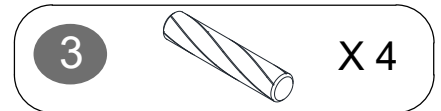
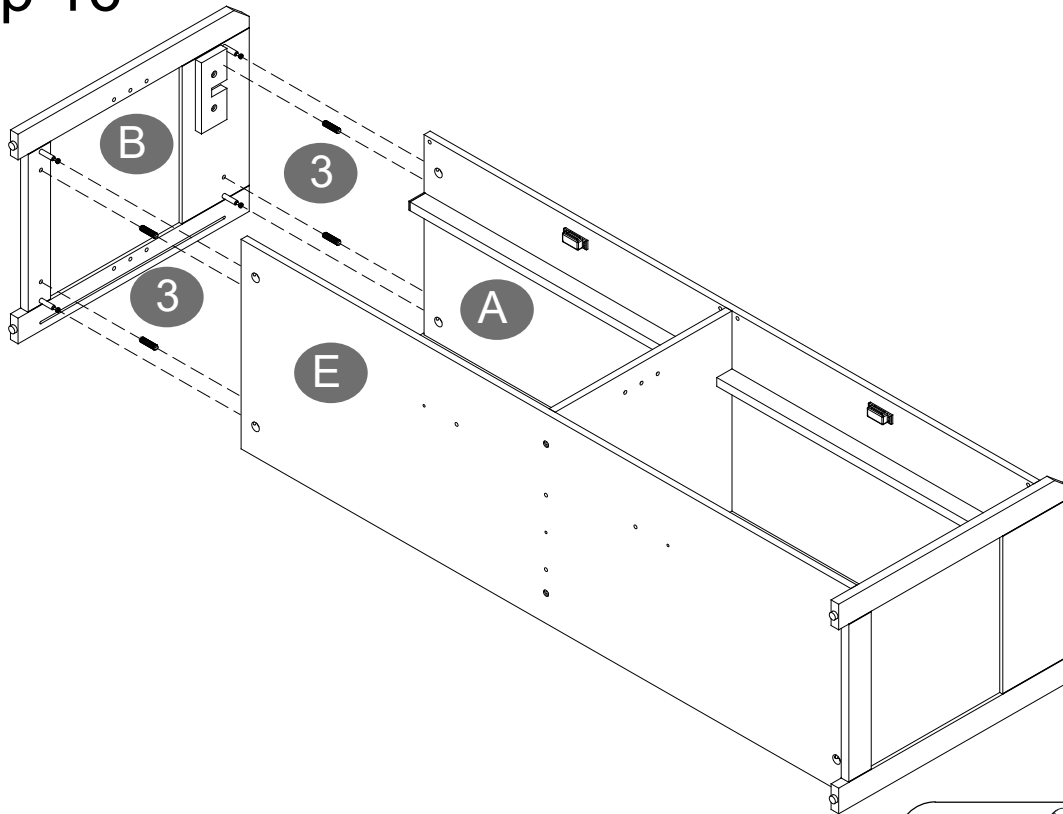
# Step 14



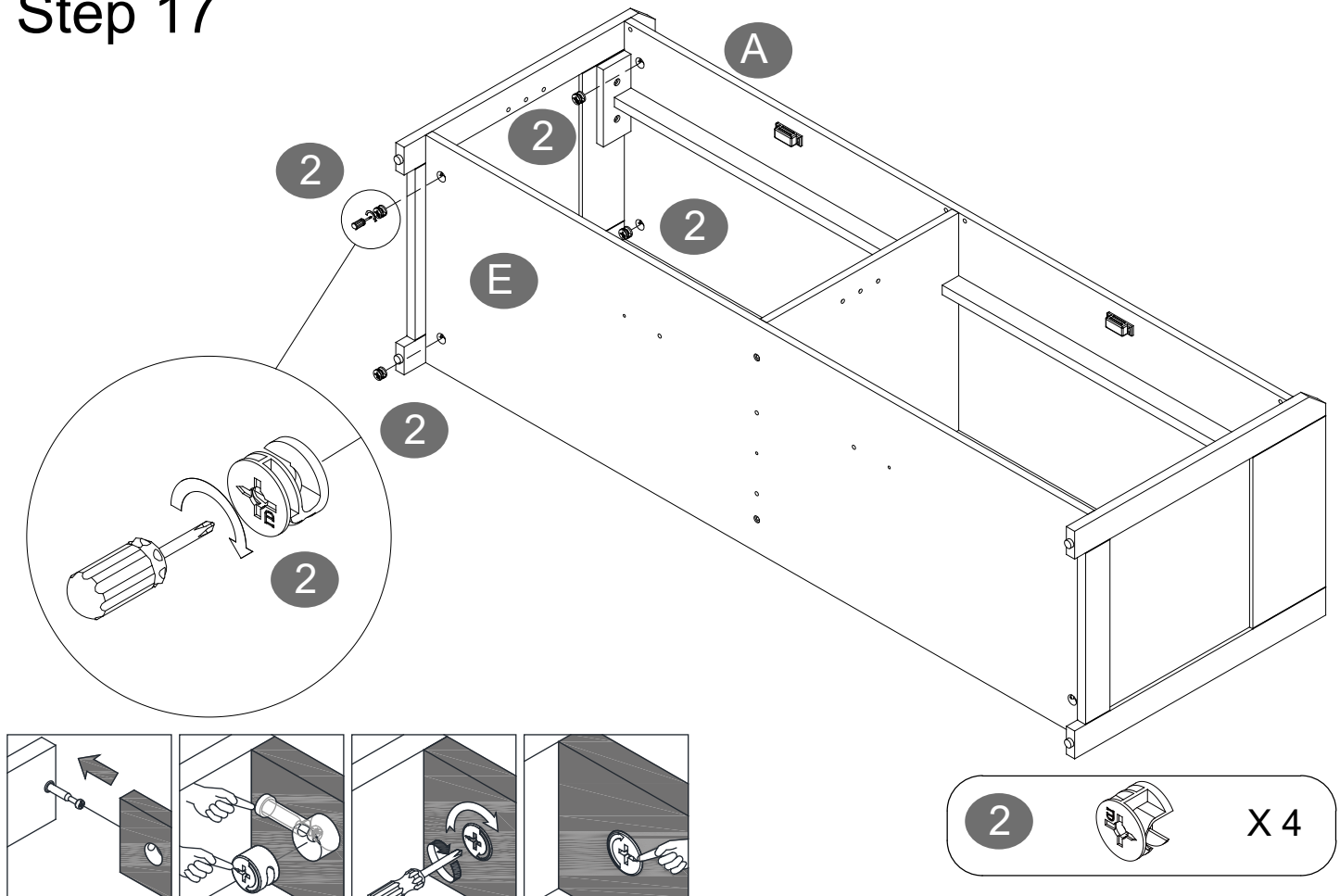
# Step 15



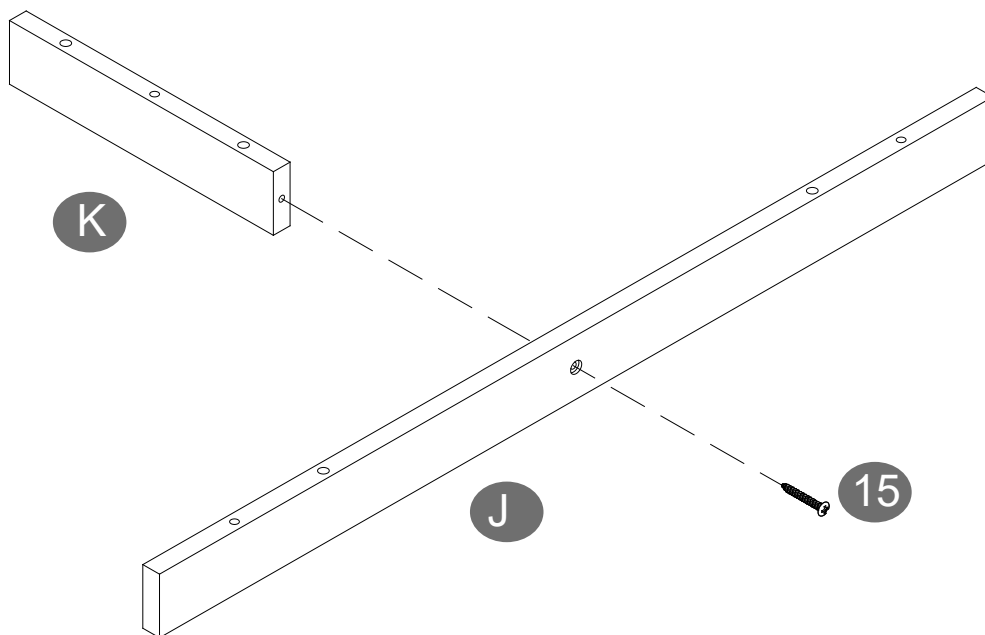
# Step 16



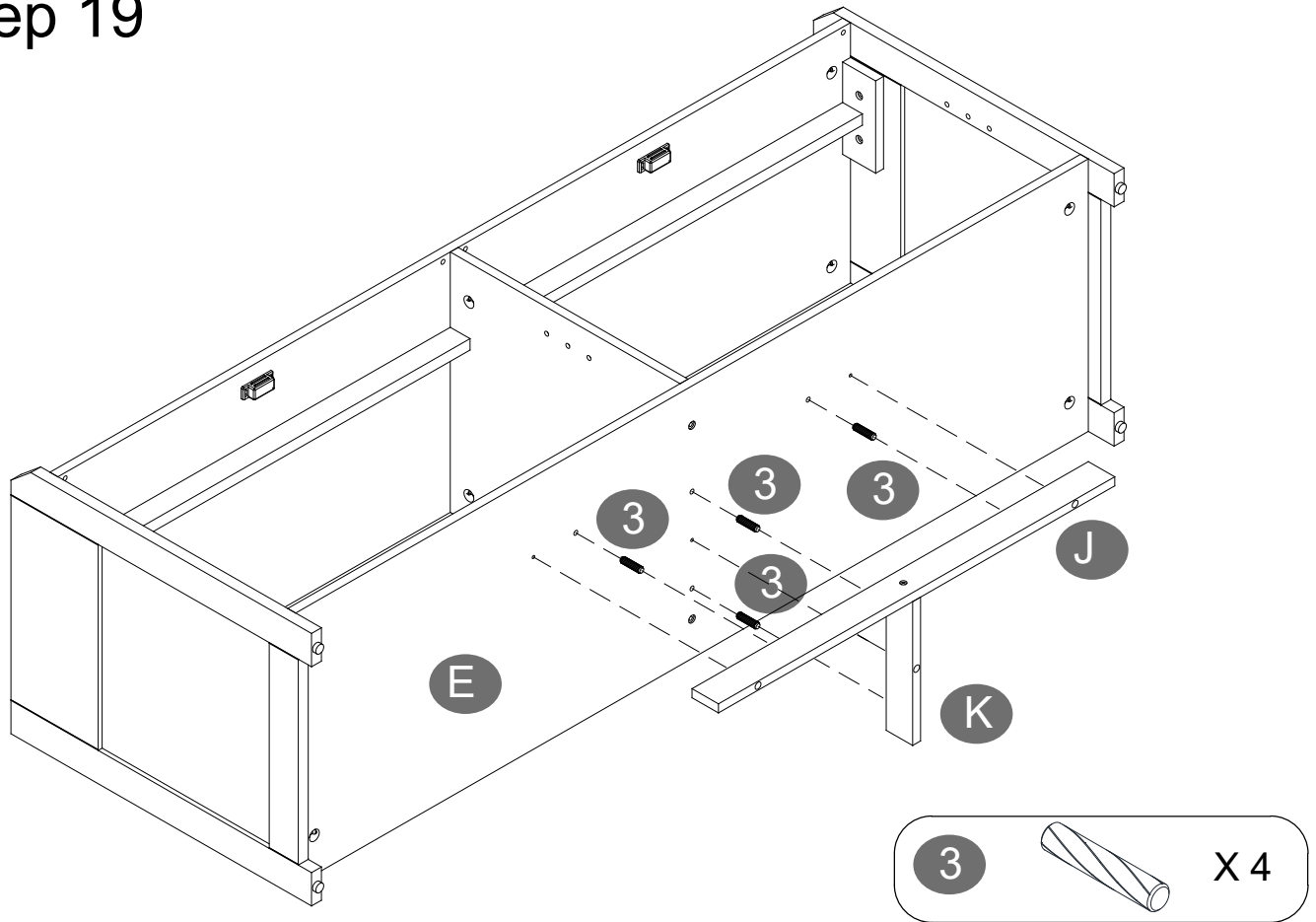
# Step 17



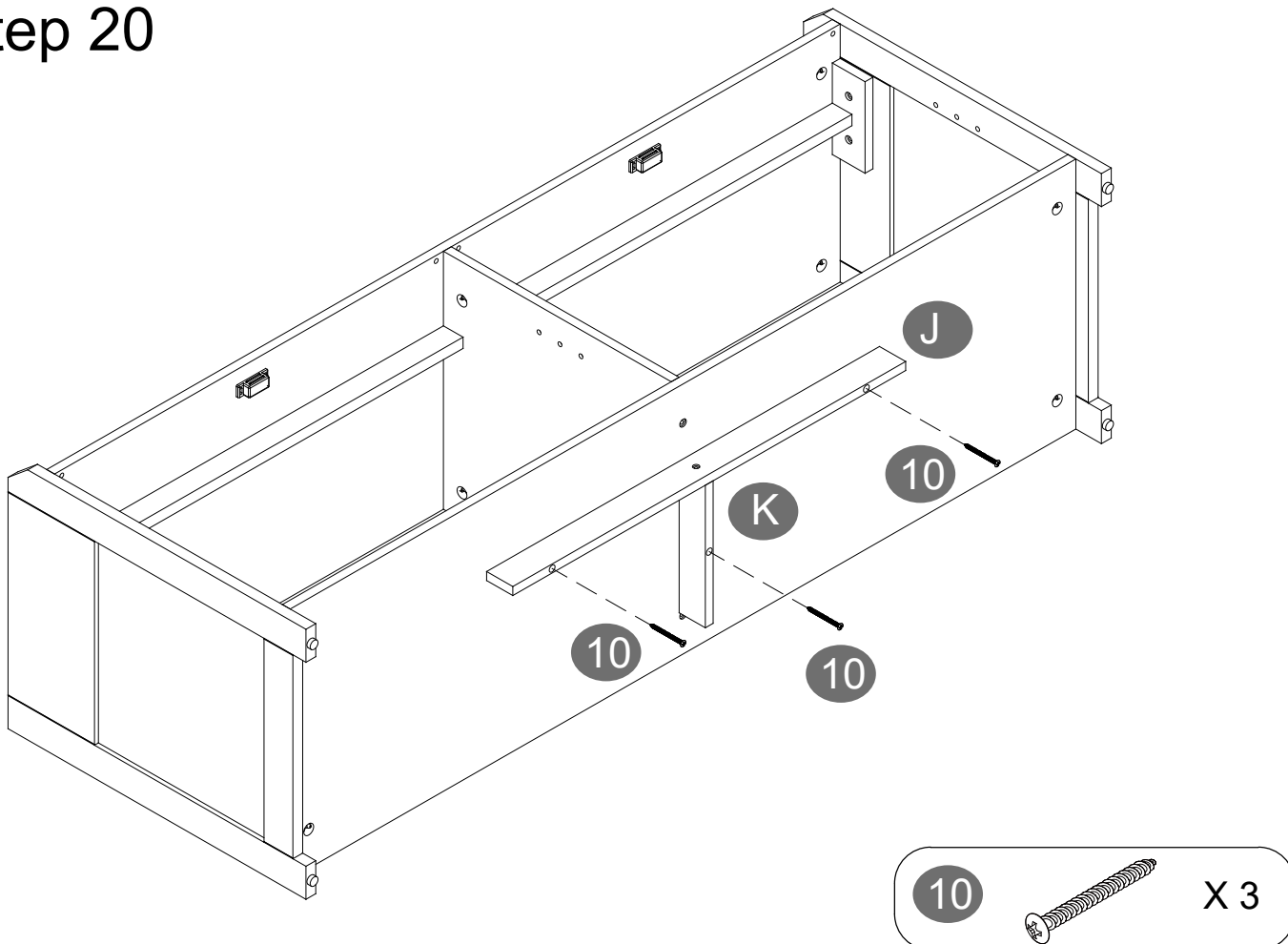
# Step 18



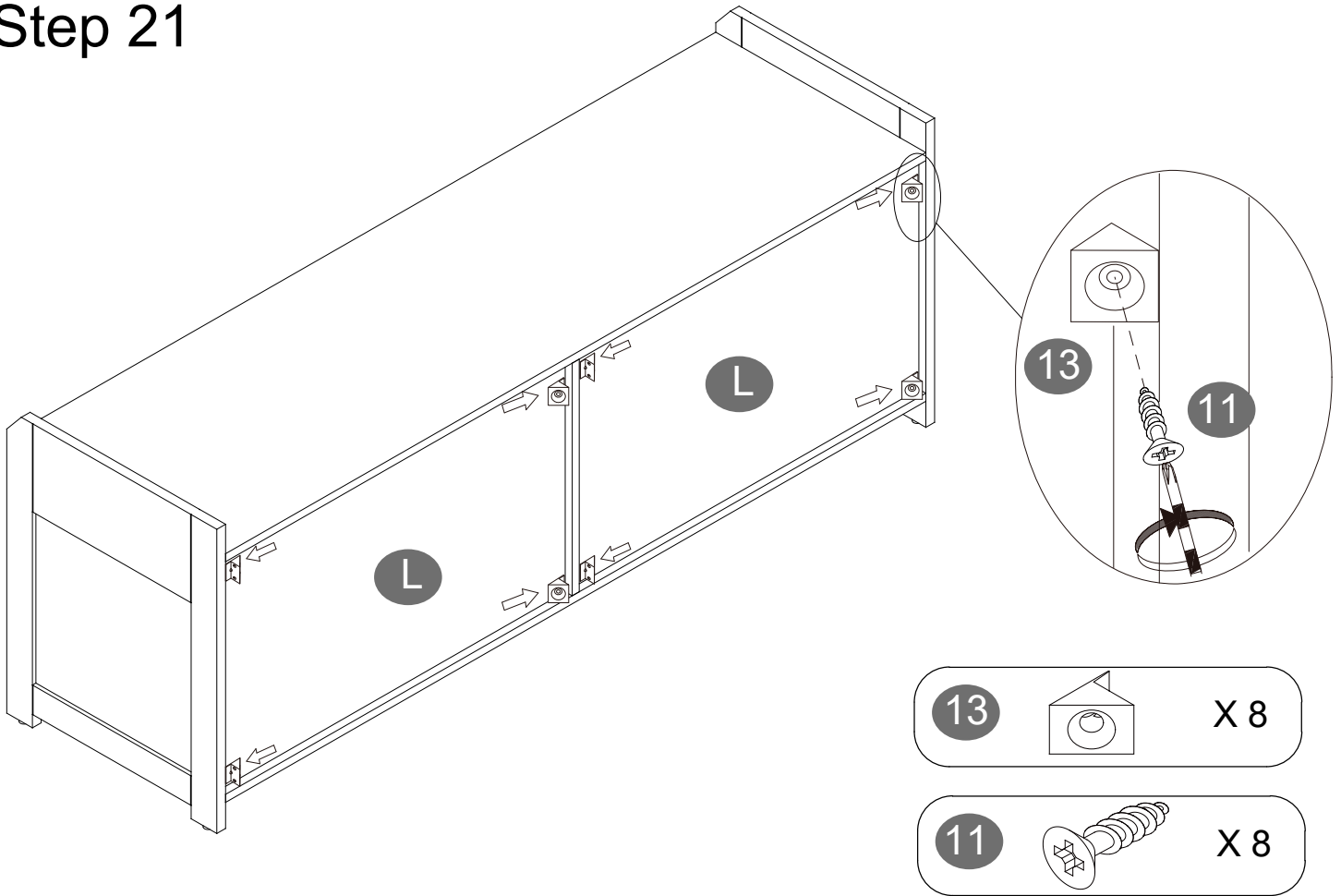
# Step 19



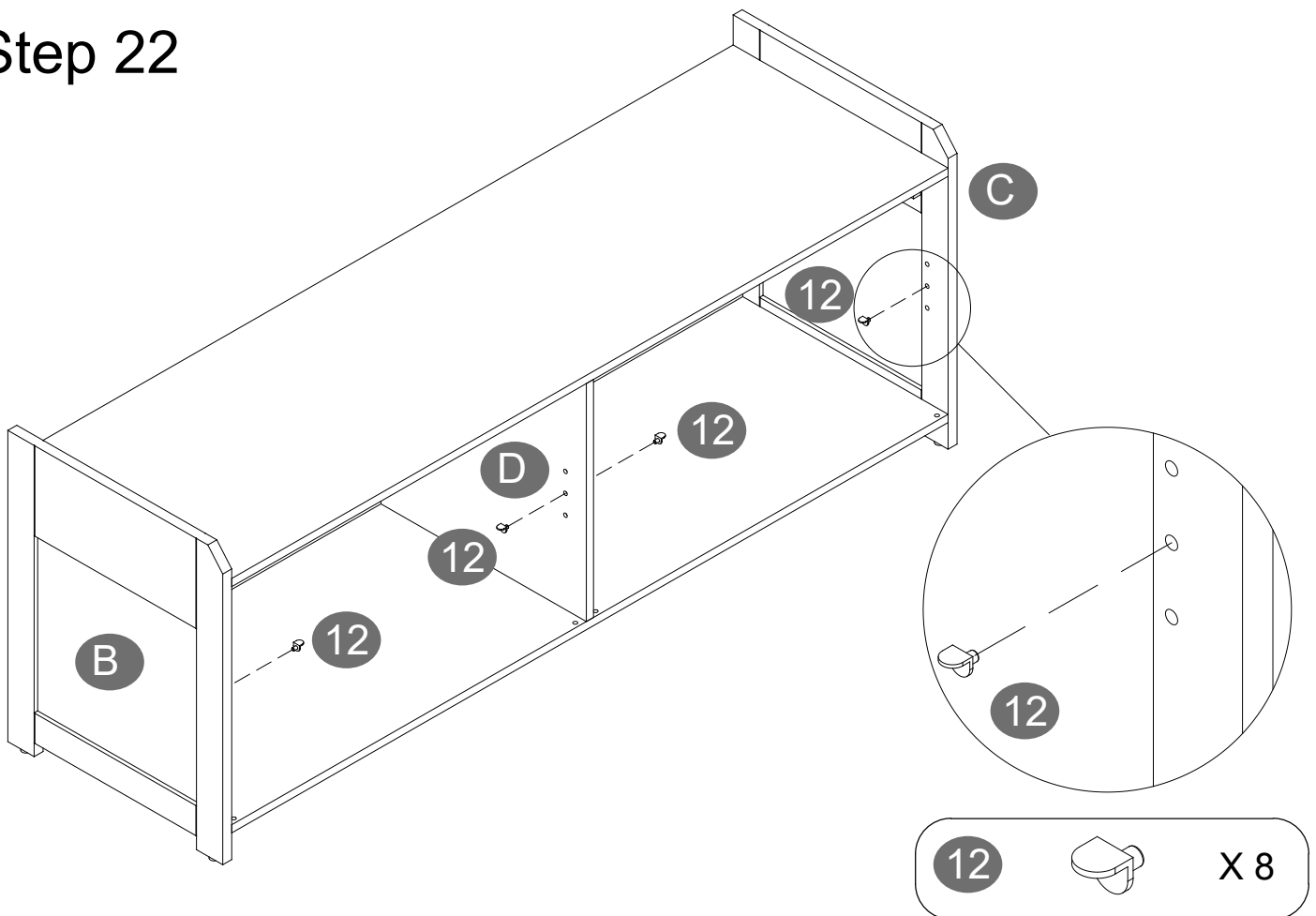
# Step 20



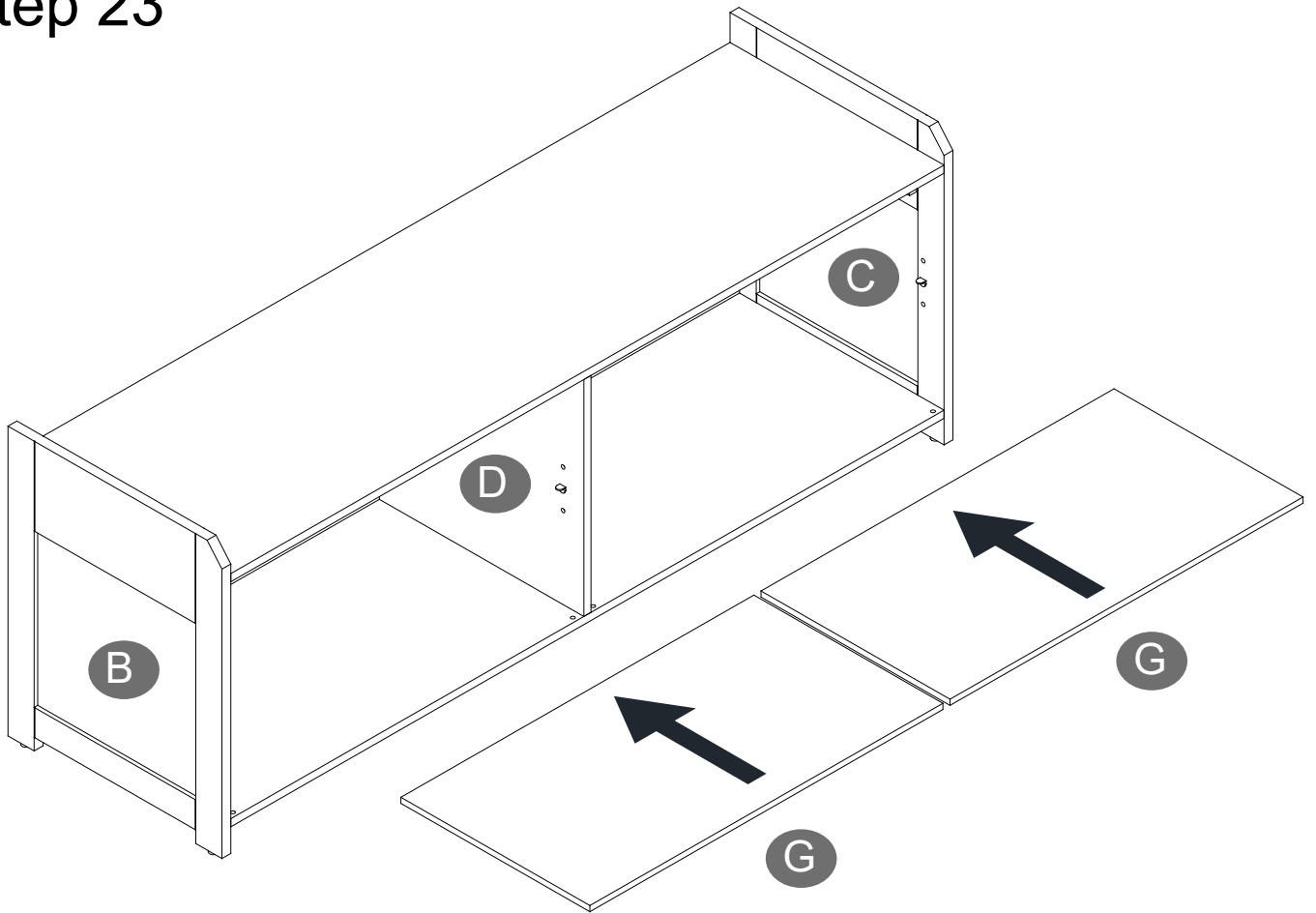
# Step 21



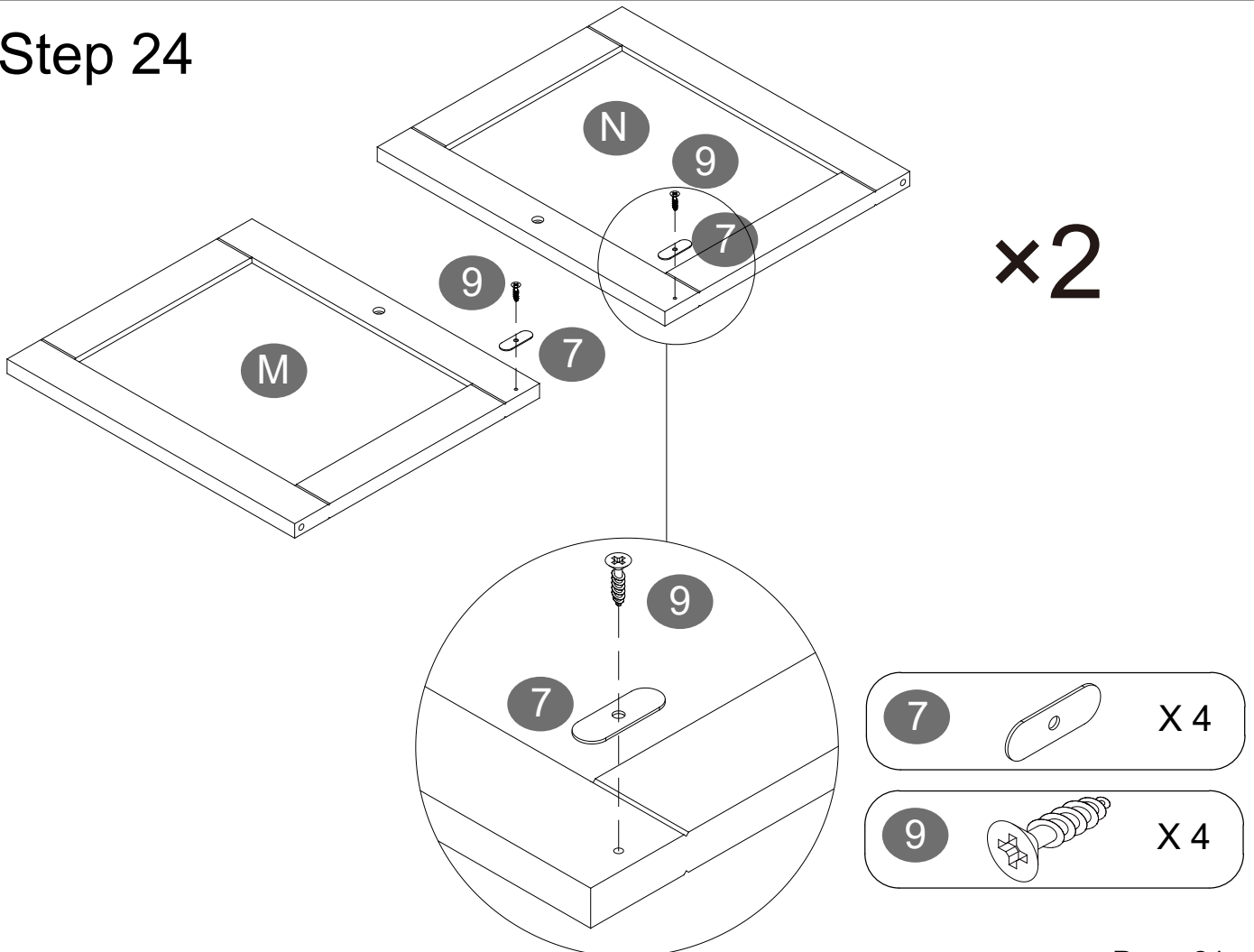
# Step 22



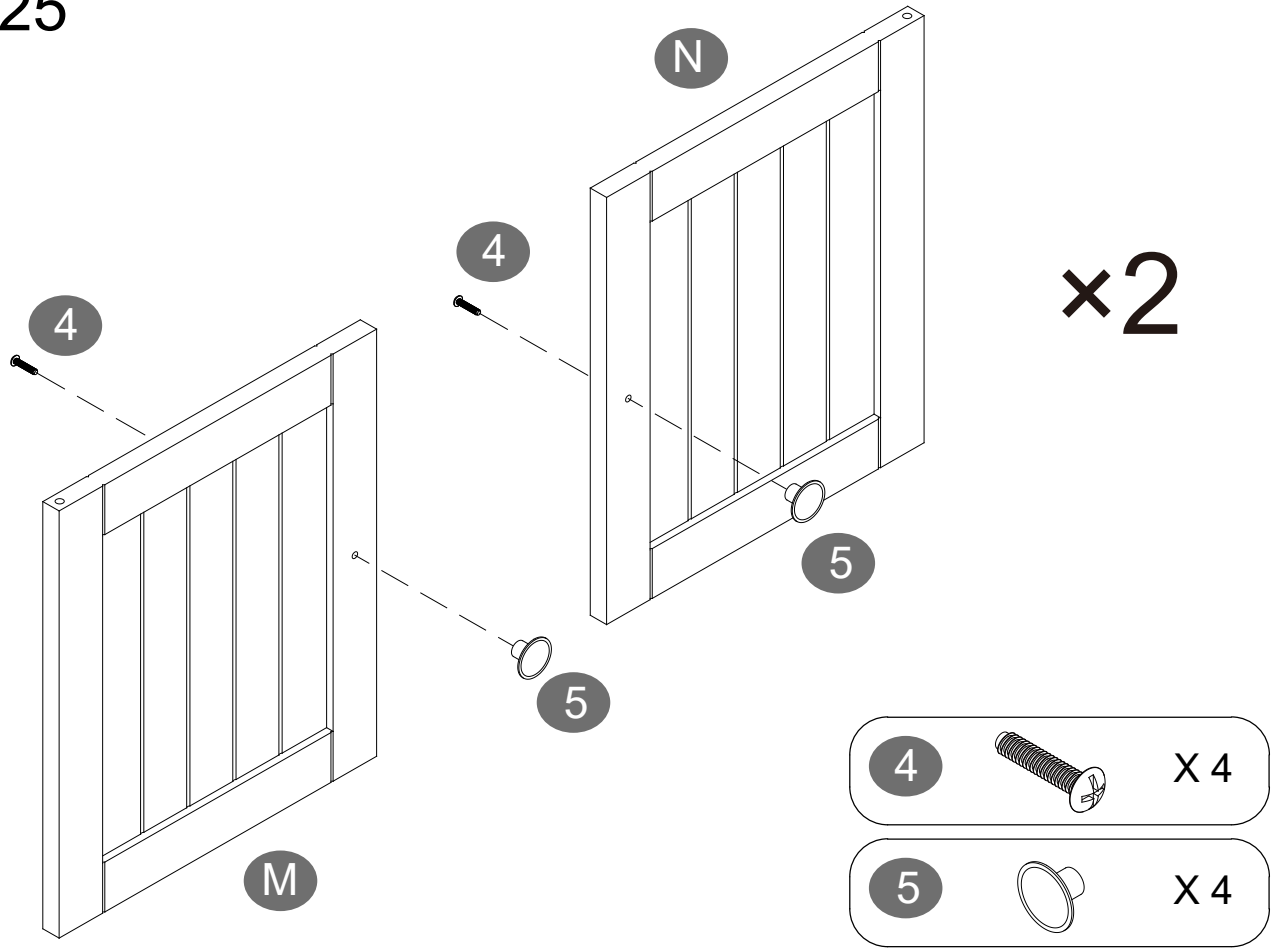
# Step 23



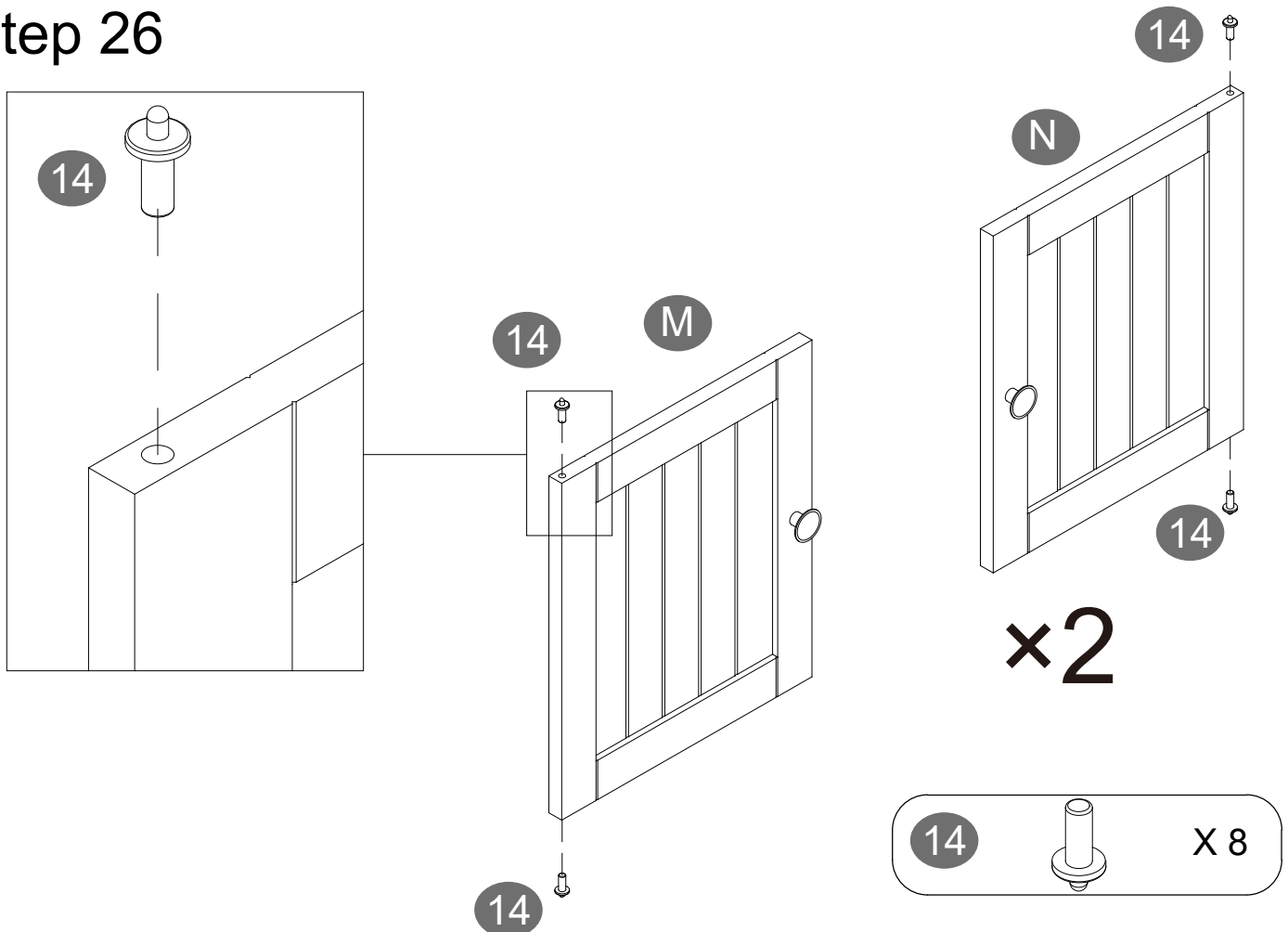
# Step 24



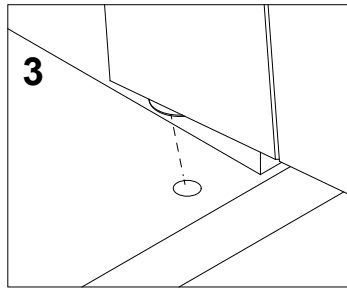
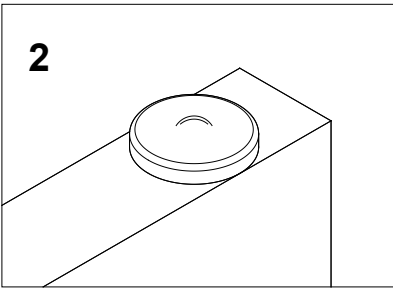
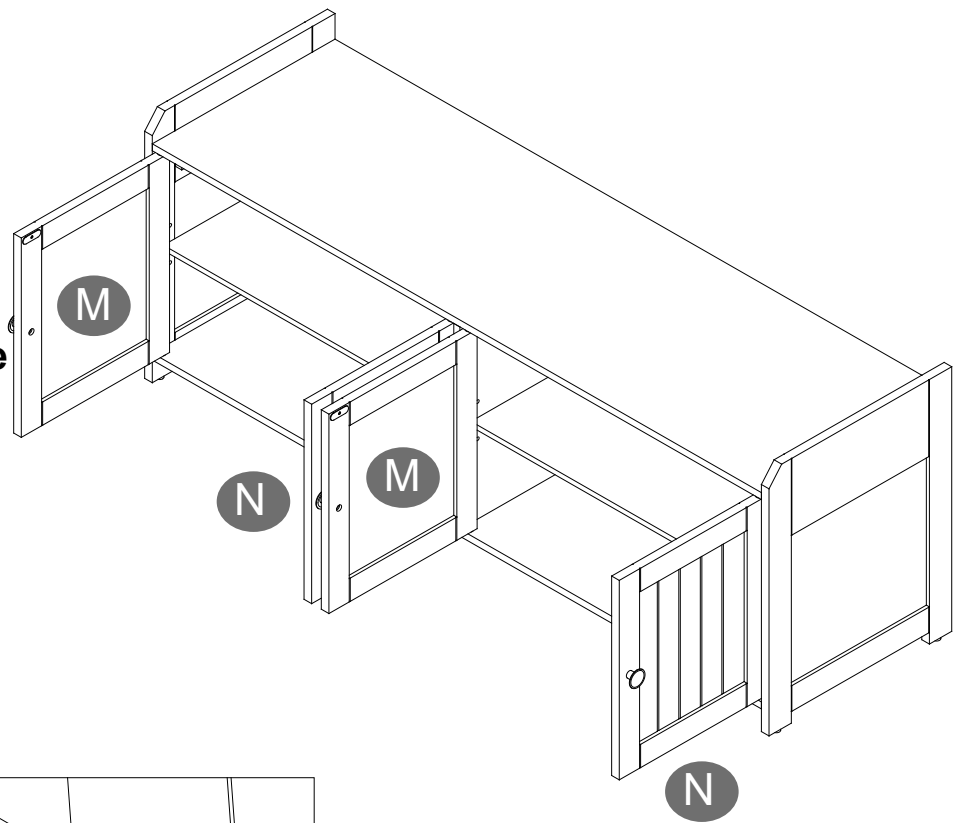
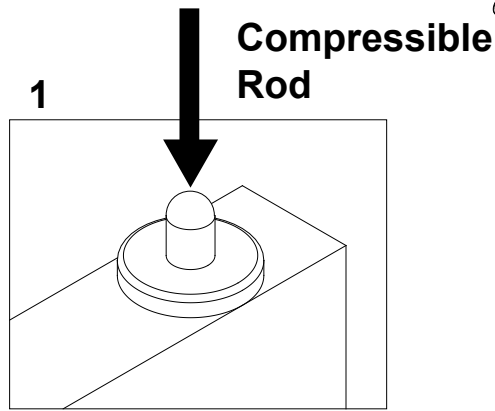
# Step 25



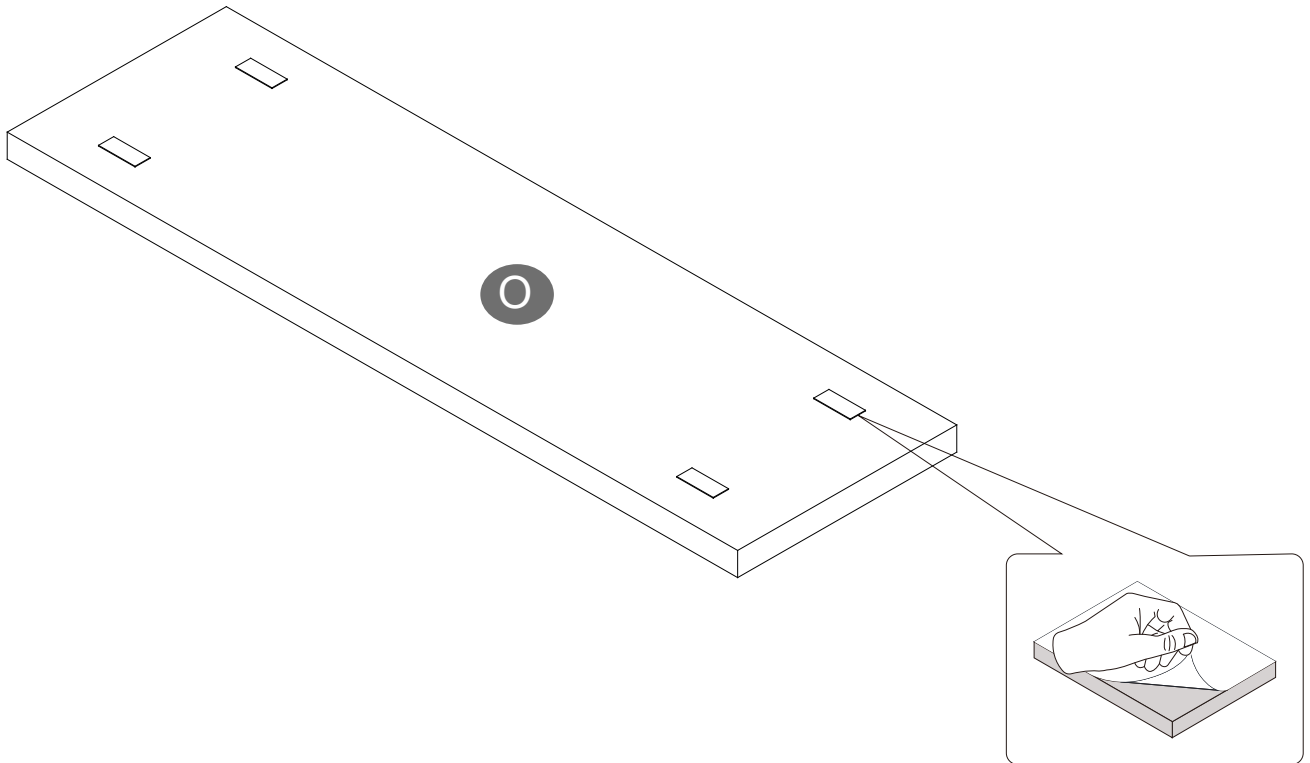
# Step 26



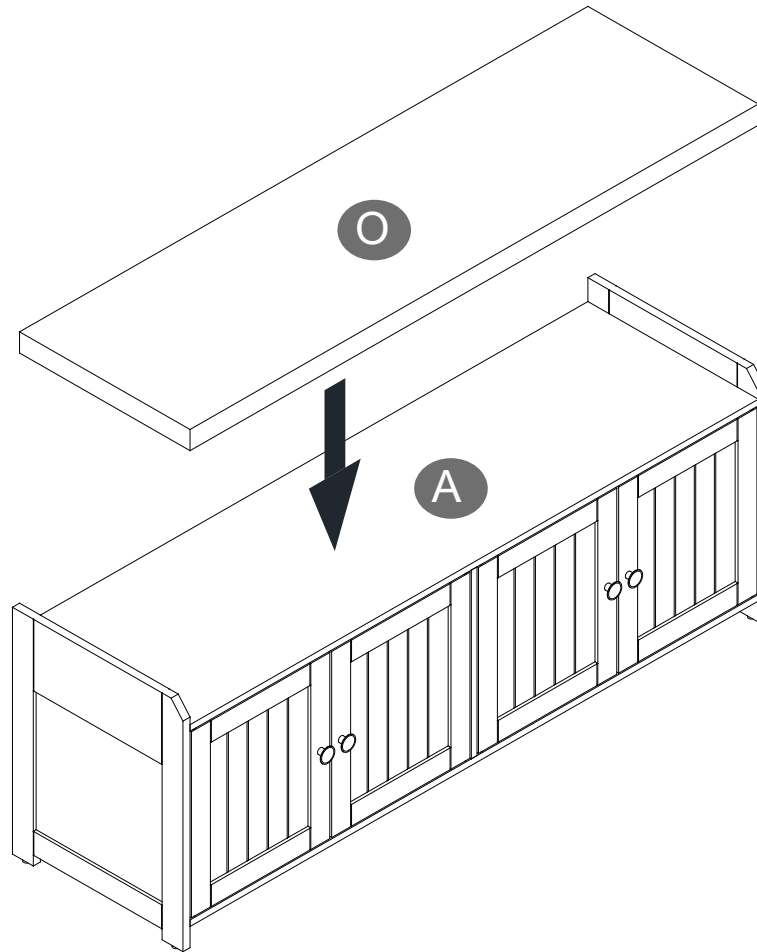
# Step 27



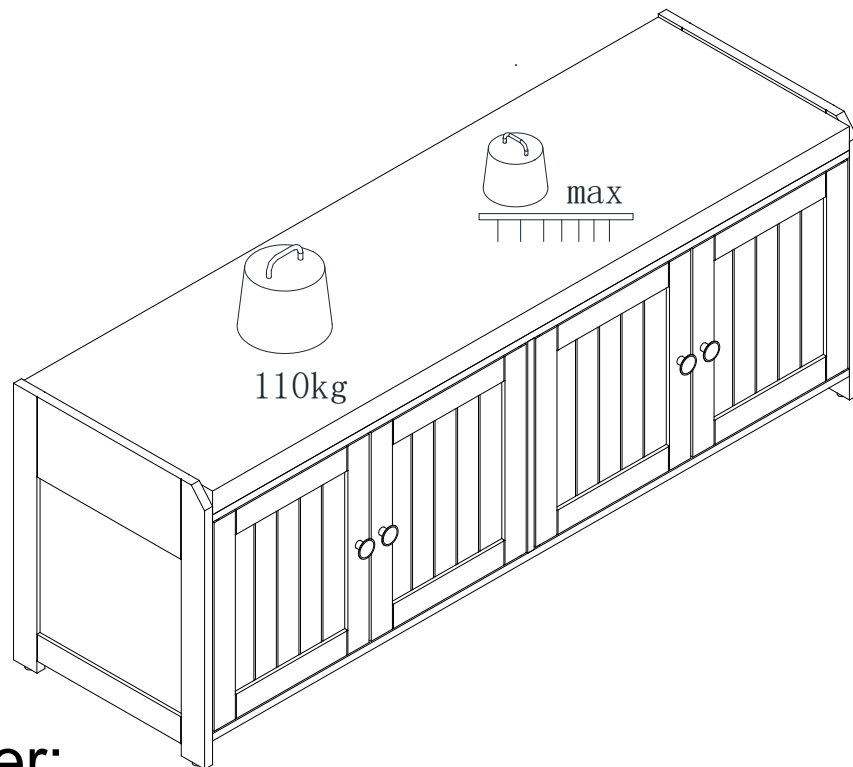
# Step 28



## Step 29



## Step 30



Kind reminder:

If the cushion covering had minor wrinkles, please use the method of treating wrinkled clothing to make the cushion smooth.