

# ASSEMBLY INSTRUCTIONS

Thank you for purchasing this quality product. Be sure to check all packing material carefully for small Hardware which may have come loose inside the carton during shipment. Identify and count all hardware and compare with the hardware list below

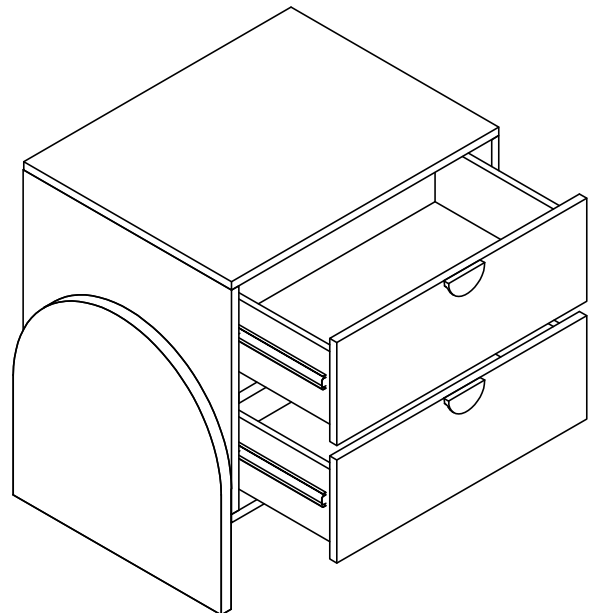
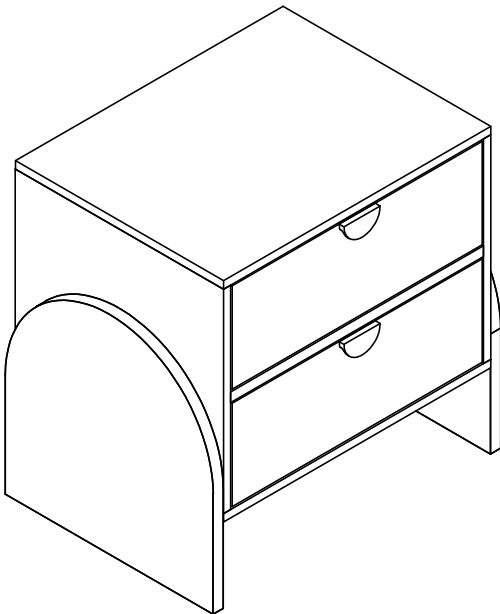
## ASSEMBLY INSTRUCTION :

1. Remove hardware from box and sort by size.
2. Please check to see that all hardware and parts are present prior start of assembly.
3. Please follow attached instruction in the same sequence as numbered to assure fast and easy.



## **WARNING !**

1. Don't attempt to repair or modify parts that are broken or defective. Please contact the store immediately.
2. This product is for home use only and not intended for commercial establishments.
3. Two persons are required for assembly.
4. Approximate assembly time: 1/2 hours
5. Component parts and fittings contained in the box.  
Please sort out all parts before you begin to assemble the item.  
This is to make sure you always use the correct part
6. It is **STRONGLY RECOMMENDED** that you **ANCHOR** this product.  
Toppling furniture can cause serious injuries and death.  
This product has not been fitted with an anchor strap.  
To prevent your furniture from tipping forward it is strongly recommended that you securely attach this product to a wall or other solid surface, using the anchor straps provided and appropriate fixings.



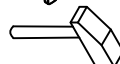
TOOLS NEEDED: Phillips Screwdriver



Wall Drill

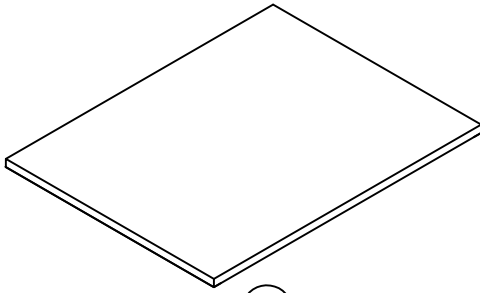


Hammer

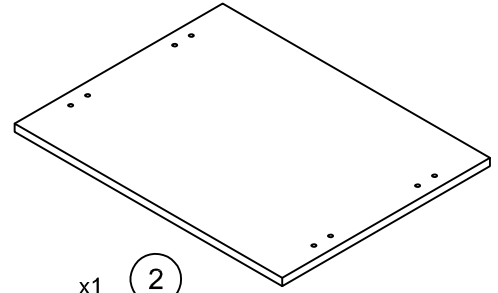


# ASSEMBLY INSTRUCTIONS

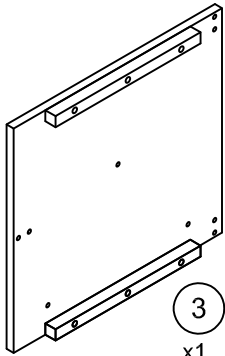
## PARTS LIST



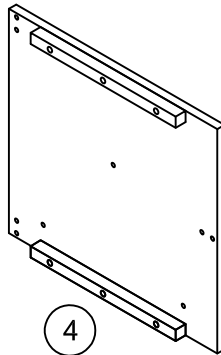
x1 (1)  
Top panel



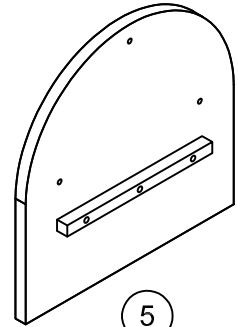
x1 (2)  
Top panel



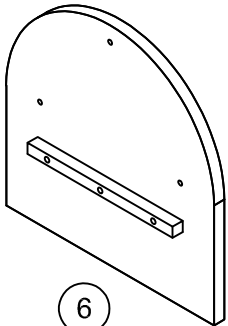
x1 (3)  
Left side panel



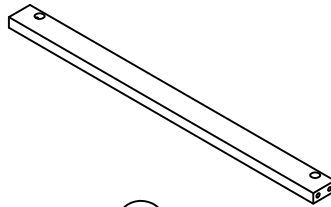
x1 (4)  
Right side panel



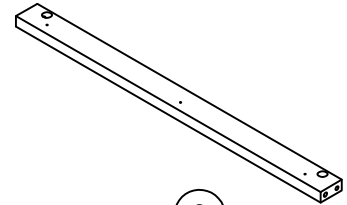
x1 (5)  
Left bottom panel



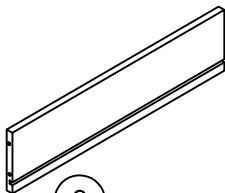
x1 (6)  
Right bottom panel



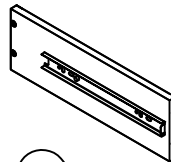
x1 (7)  
front panel



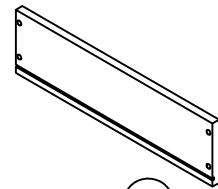
x2 (8)  
rear panel



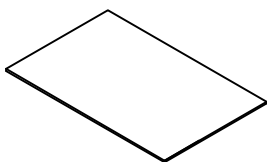
x2 (9)  
Drawer back panel



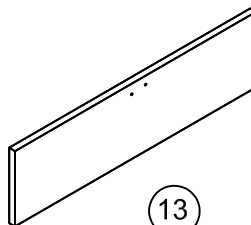
x2 (10)  
Drawer left side panel



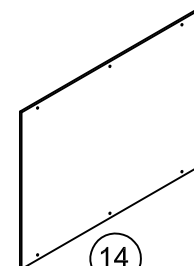
x2 (11)  
Drawer right side panel



x2 (12)  
Drawer bottom panel



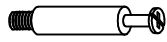
x2 (13)  
Drawer front panel



x1 (14)  
Drawer front panel

# ASSEMBLY INSTRUCTIONS

## HARDWARE LIST



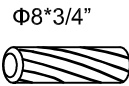
A

x14  
Cam-bolts



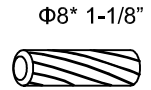
B

x14  
Cam-locks



C

x8  
Dowels



D

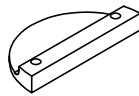
x6  
Dowels

5/32" x 7/8"



E

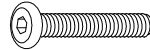
x4  
handle bolts



F

x2  
Handles

1/4"  $\Phi 8 \times 3/4$ "



G

x14  
Bolts

$\Phi 13 \times 1$ mm



H

x14  
Flat Washer

$\Phi 10 \times 1$ mm



I

x14  
Spring Washer

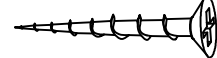
4mm



J

x1  
Allen Key

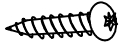
$\Phi 8 \times 1$ "



K

x8  
Screws

$\Phi 8 \times 3/4$ "



L

x6  
Screws



M

x4  
Hook



N

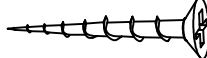
x4  
Anchor



O

x2  
Plastic tie

$\Phi 8 \times 1-1/4$ "



P

x4  
Screws

$\Phi 8 \times 3/4$ "

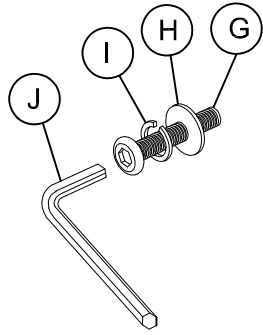
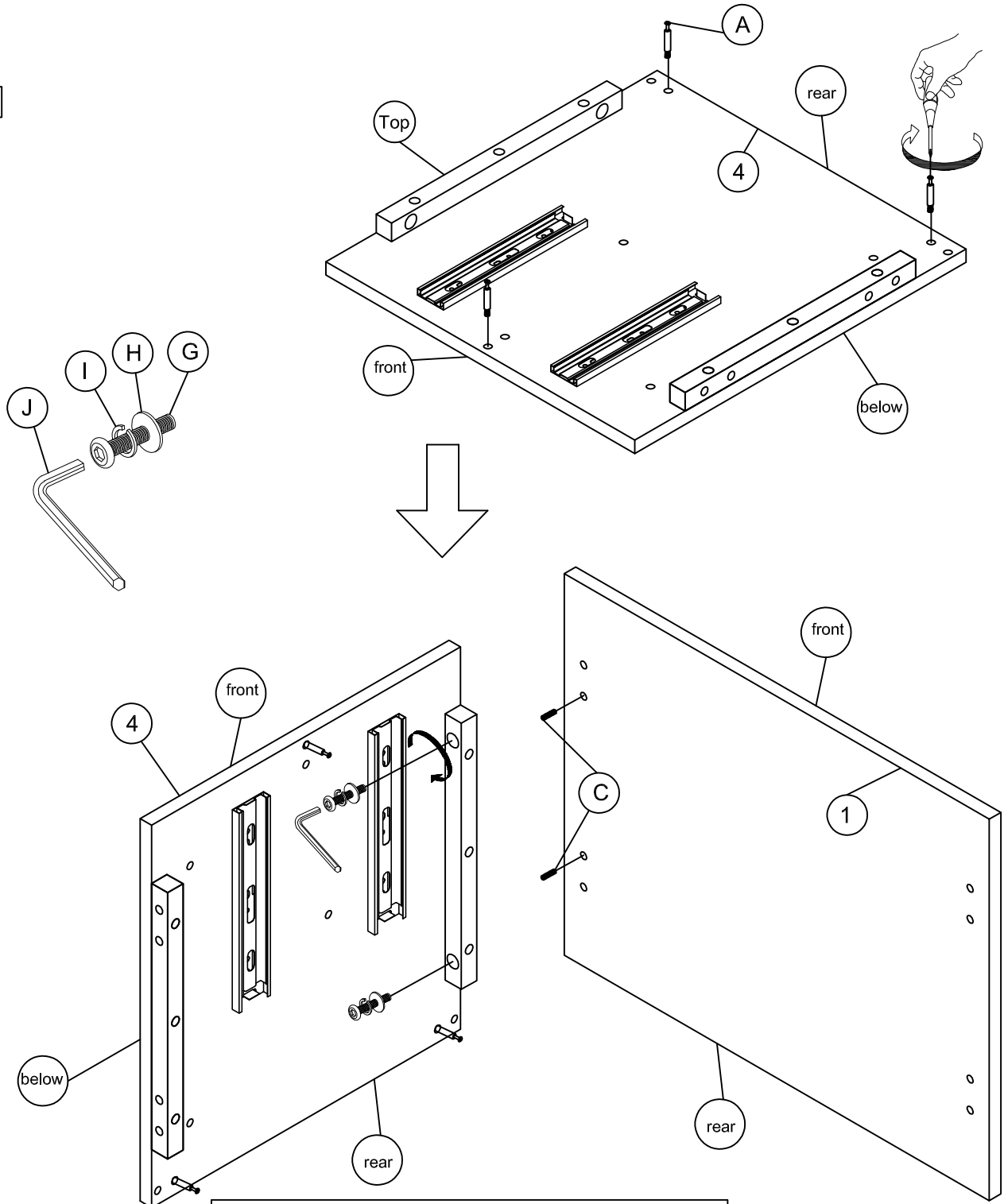


Q

x4  
Screws

# ASSEMBLY INSTRUCTIONS

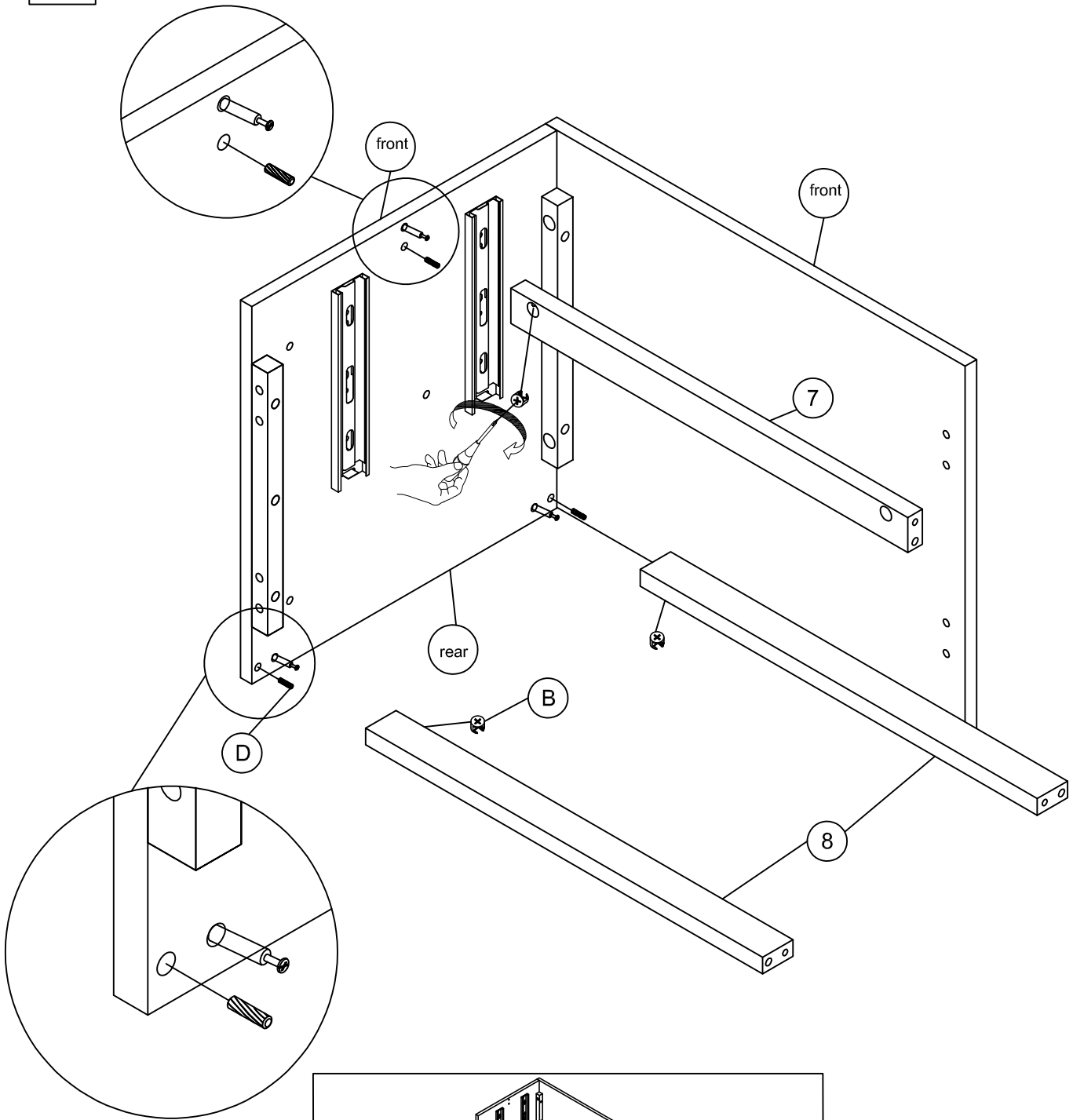
STEP 1

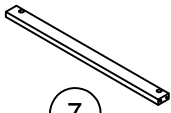
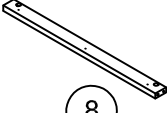




1 x1 Top panel	4 x1 Right side panel
A x3 Cam-bolts	C x2 Dowels
G x2 Bolts	H x2 Flat Washer
I x2 Spring Washer	J x1 Allen Key

# ASSEMBLY INSTRUCTIONS

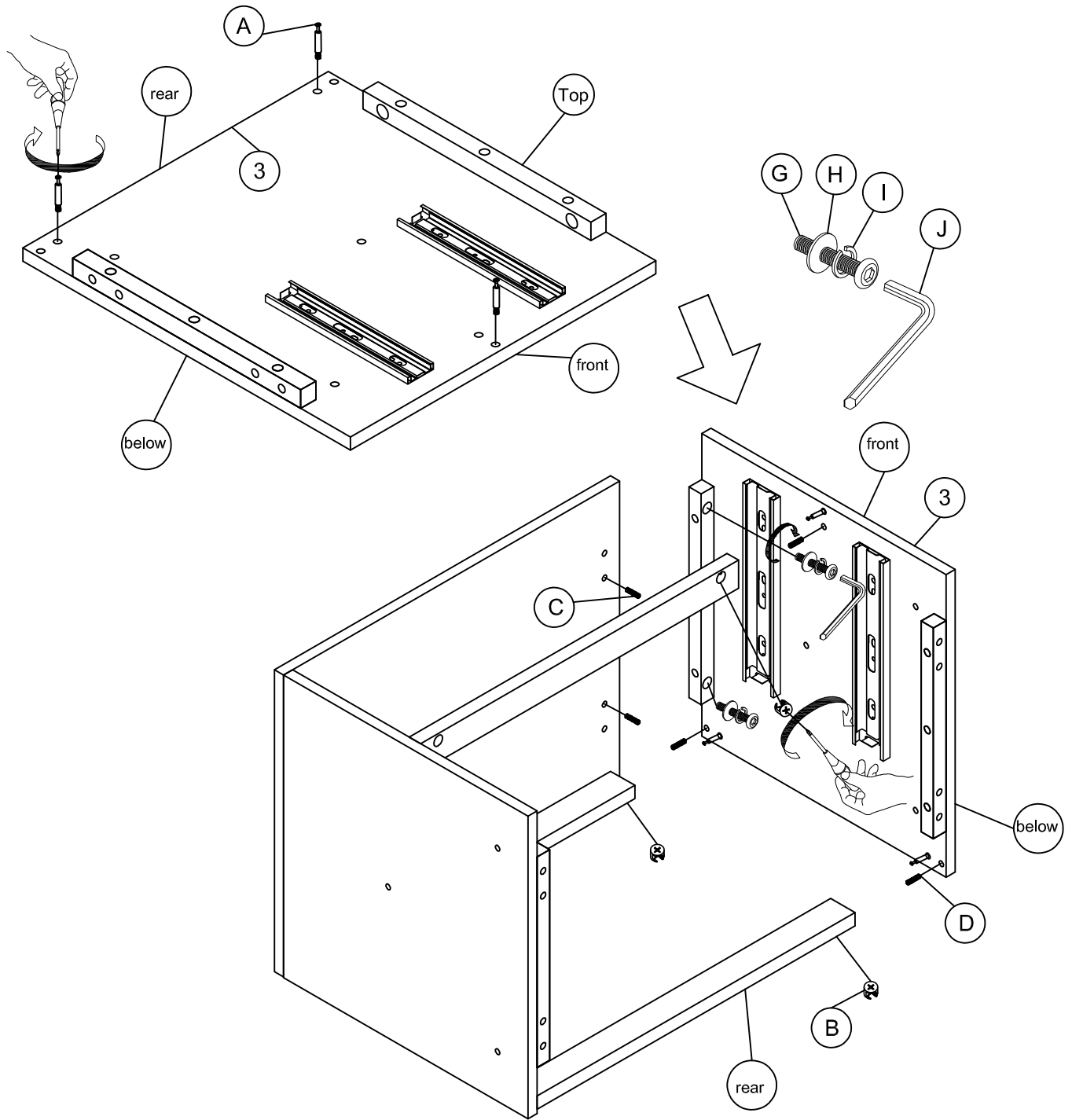
STEP 2

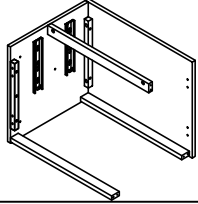
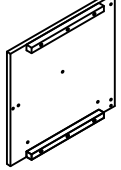
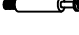









		
(7)	(8)	(B)
x1	x2	x3
front panel	rear panel	Cam-locks
		
		(D)
		x3
		Dowels

# ASSEMBLY INSTRUCTIONS

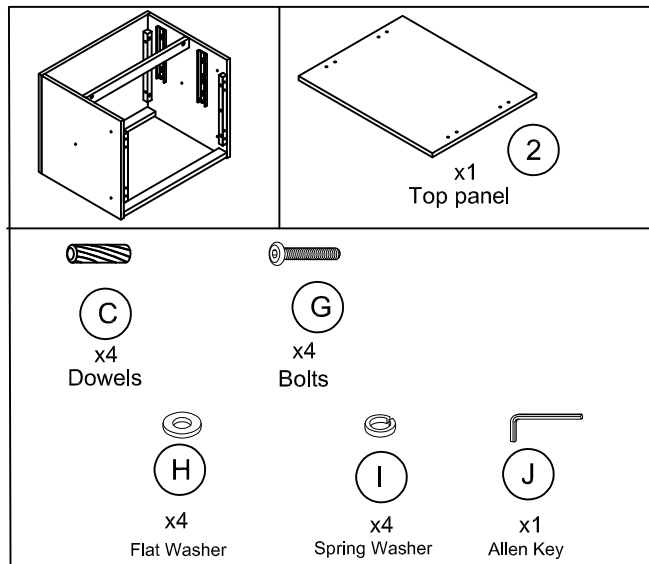
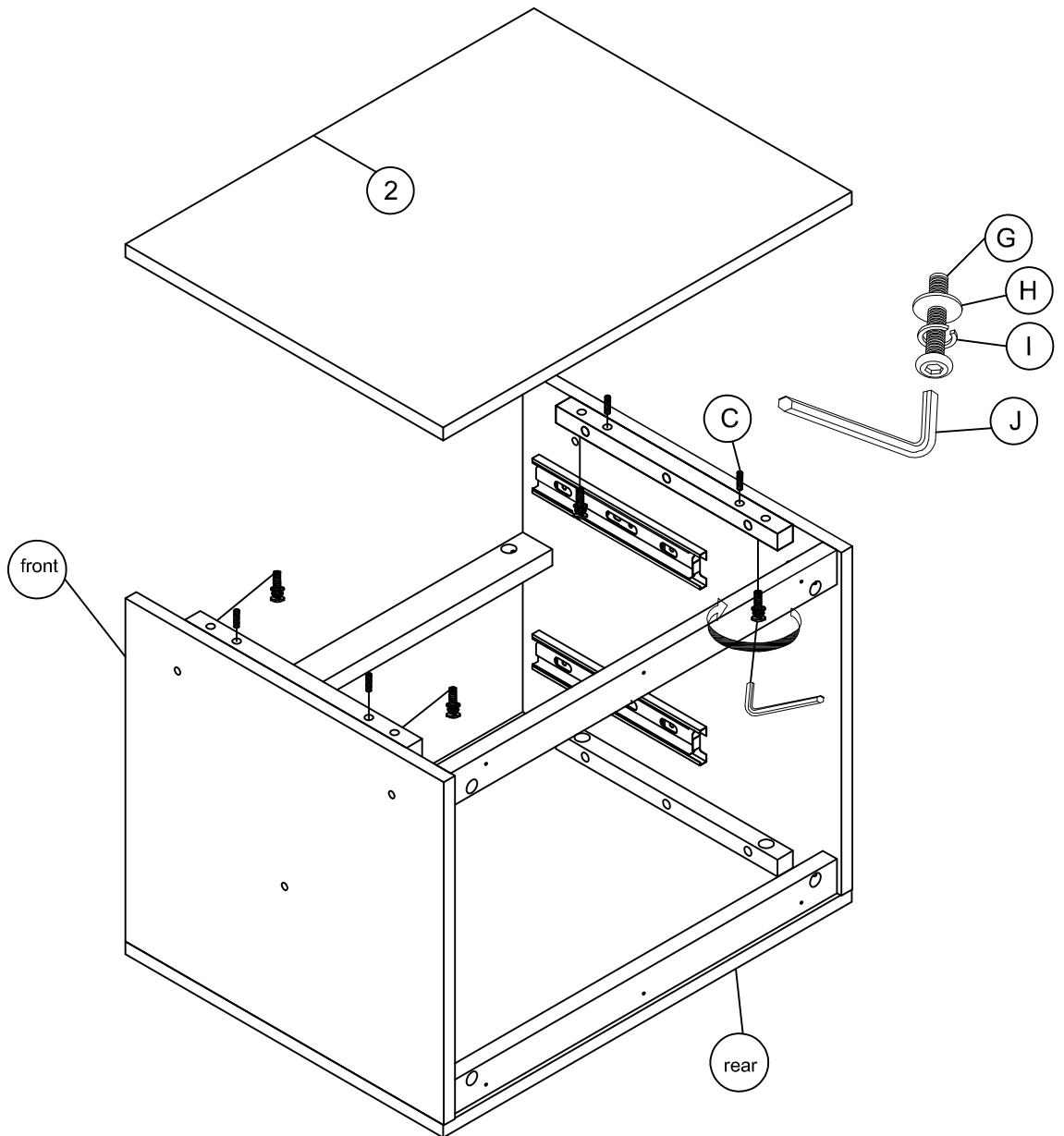
STEP 3



	 3 x1 Left side panel		
 A x3 Cam-bolts	 B x3 Cam-locks	 C x2 Dowels	 D x3 Dowels
 G x2 Bolts	 H x2 Flat Washer	 I x2 Spring Washer	 J x1 Allen Key

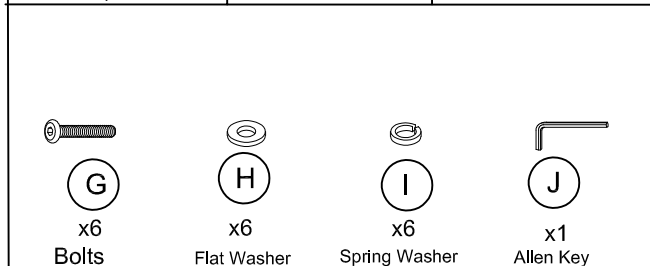
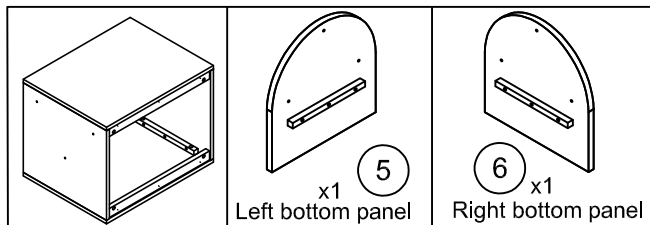
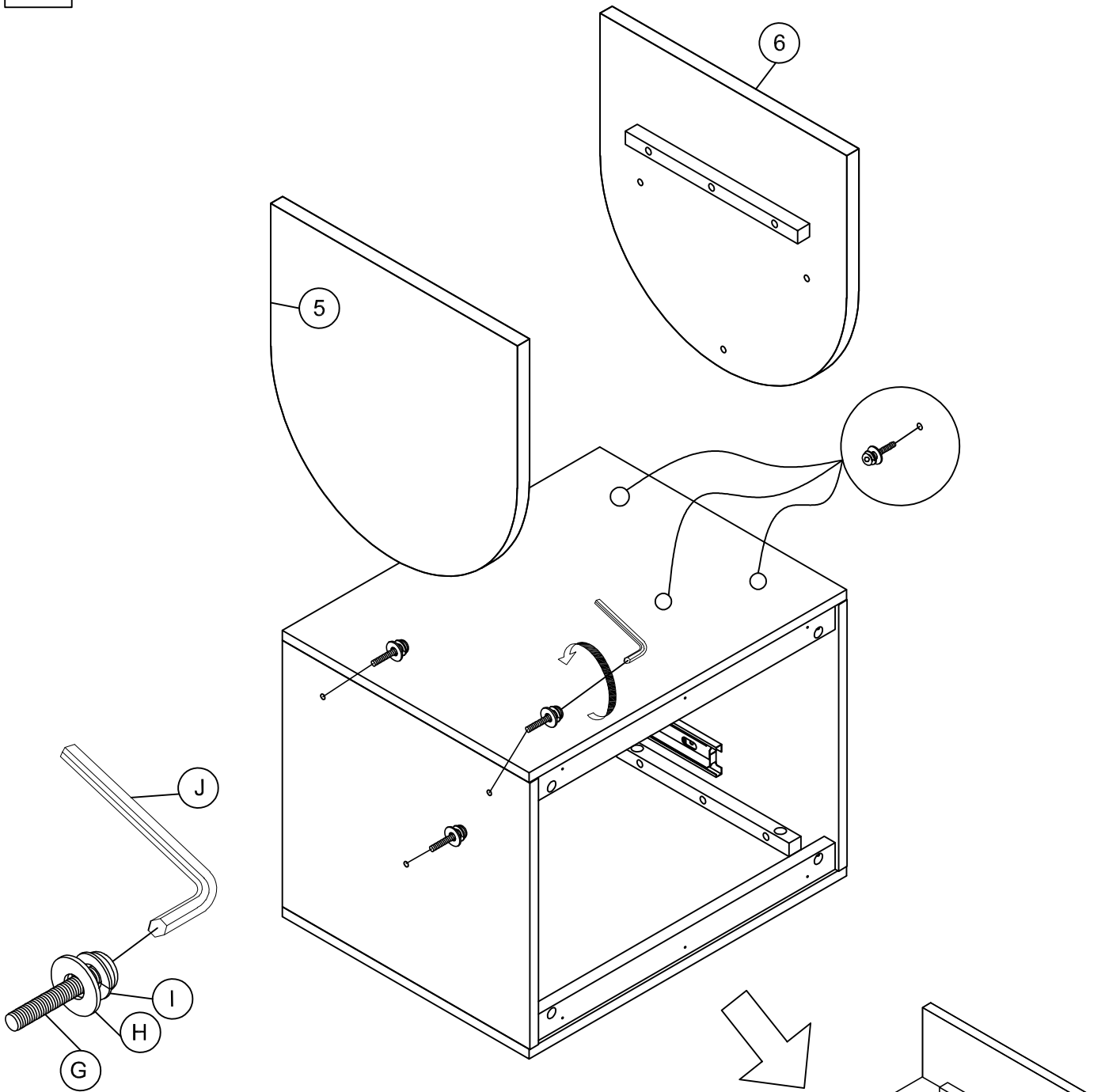
# ASSEMBLY INSTRUCTIONS

STEP 4



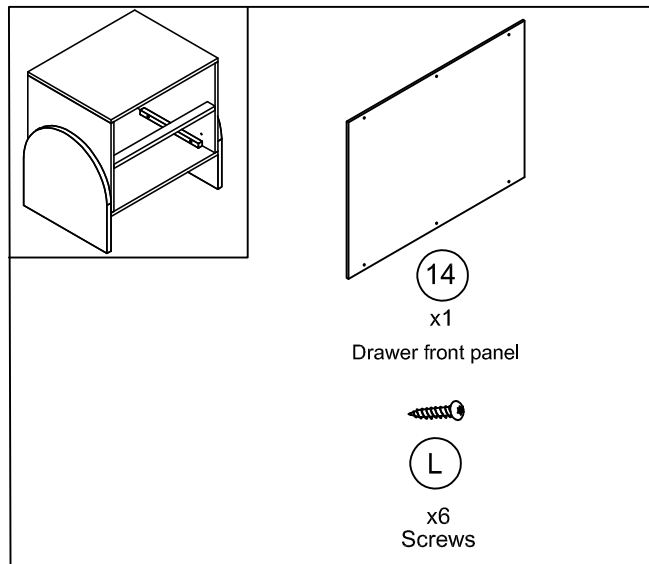
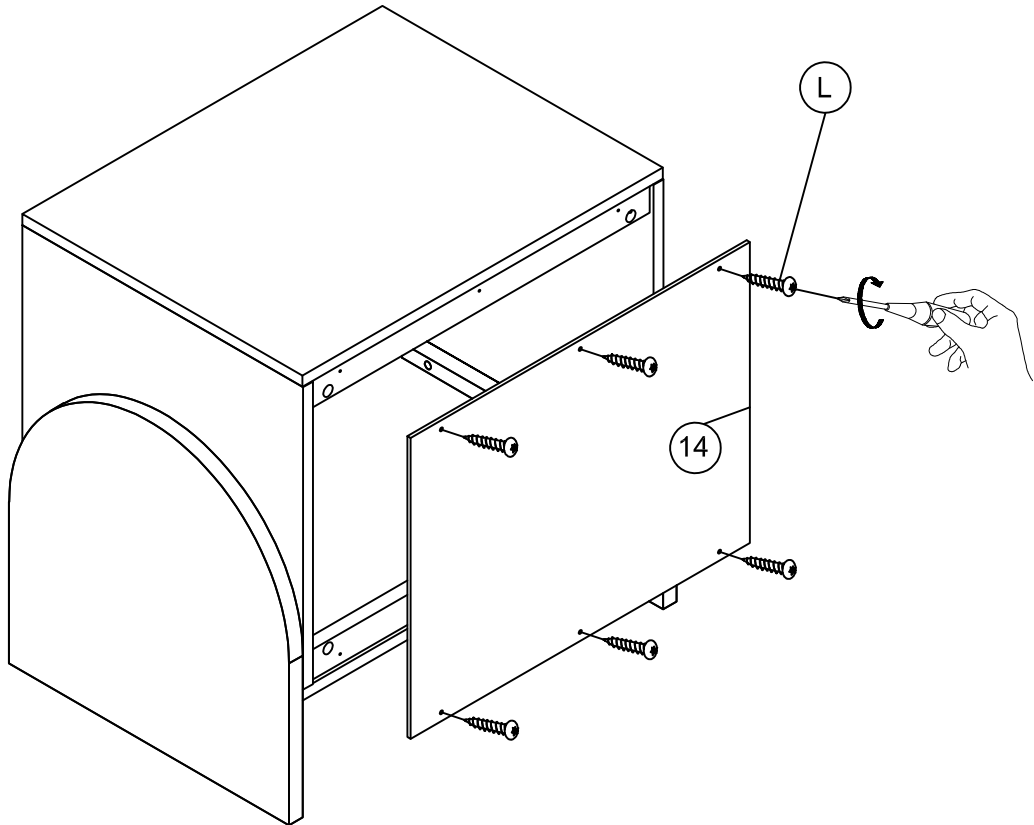
# ASSEMBLY INSTRUCTIONS

STEP 5



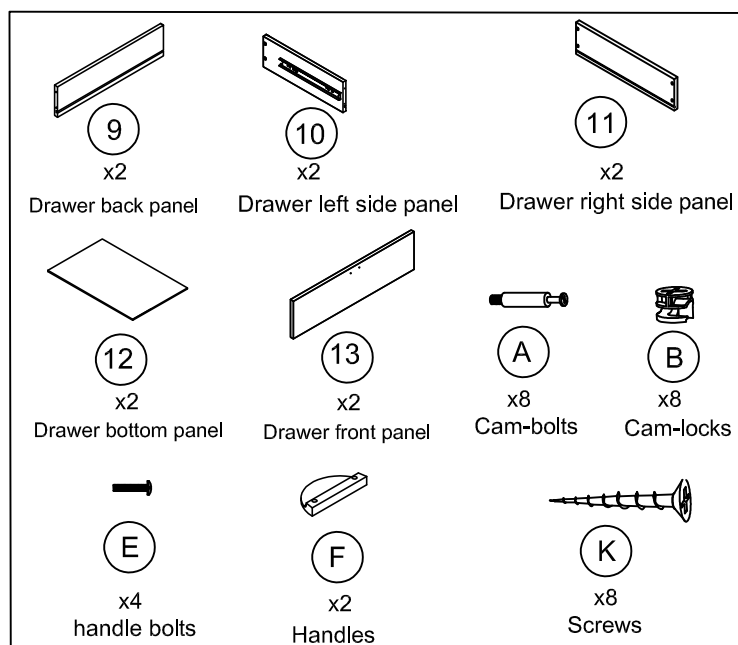
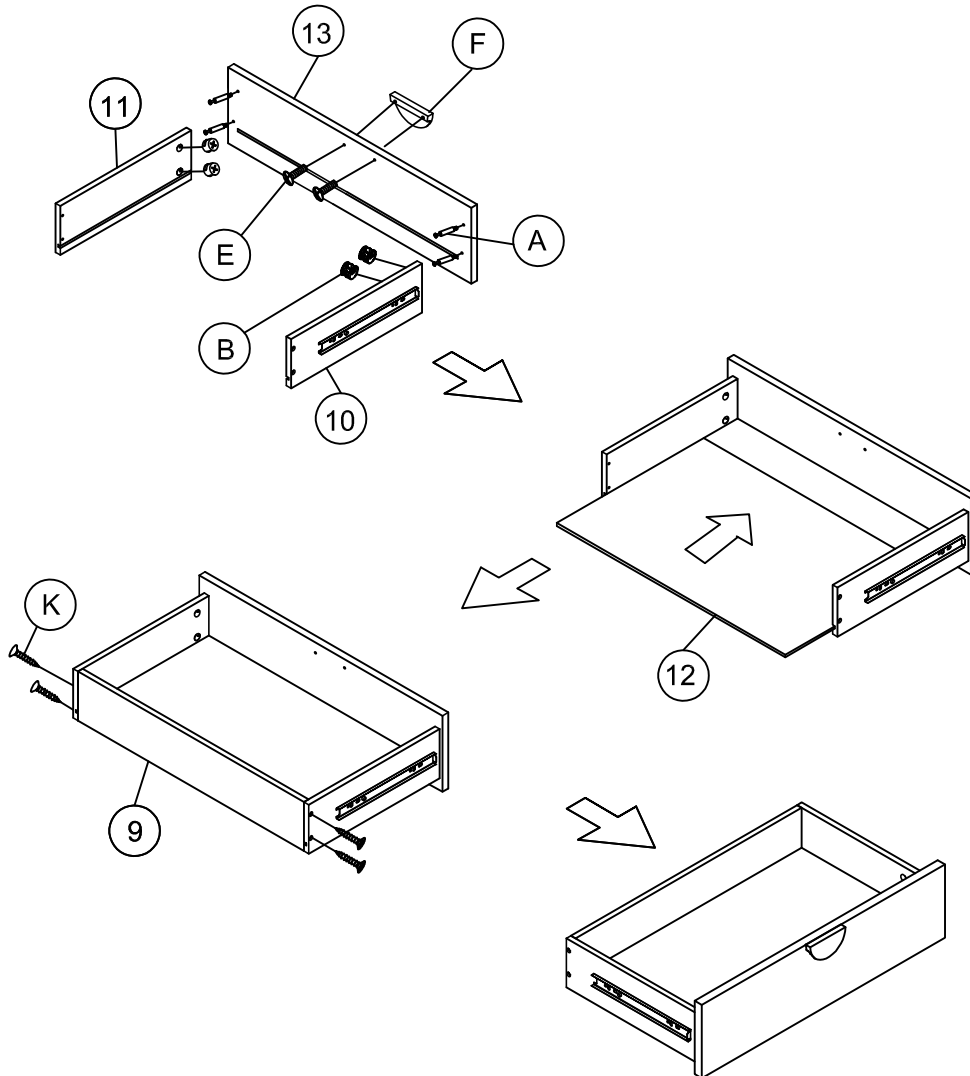
# ASSEMBLY INSTRUCTIONS

STEP 6



# ASSEMBLY INSTRUCTIONS

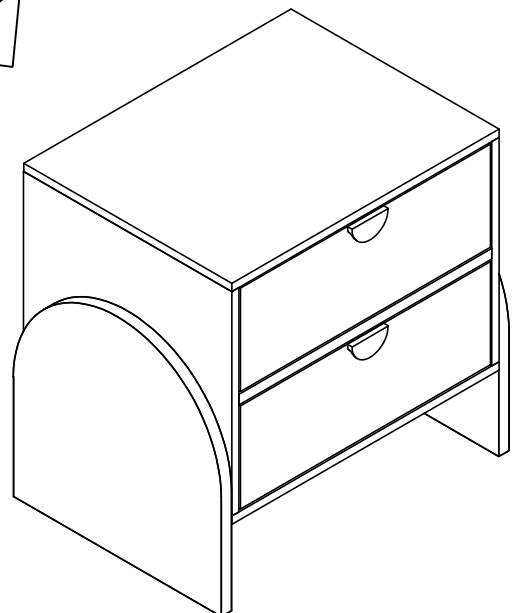
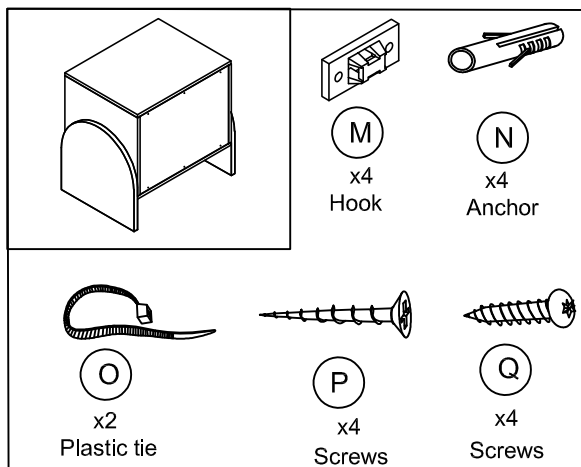
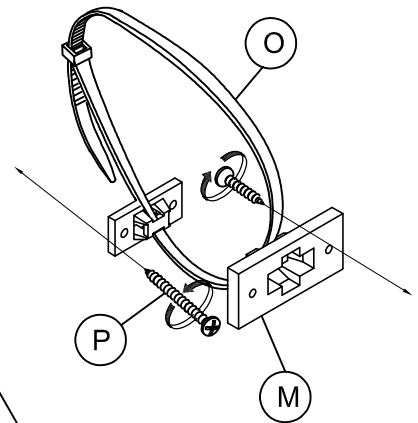
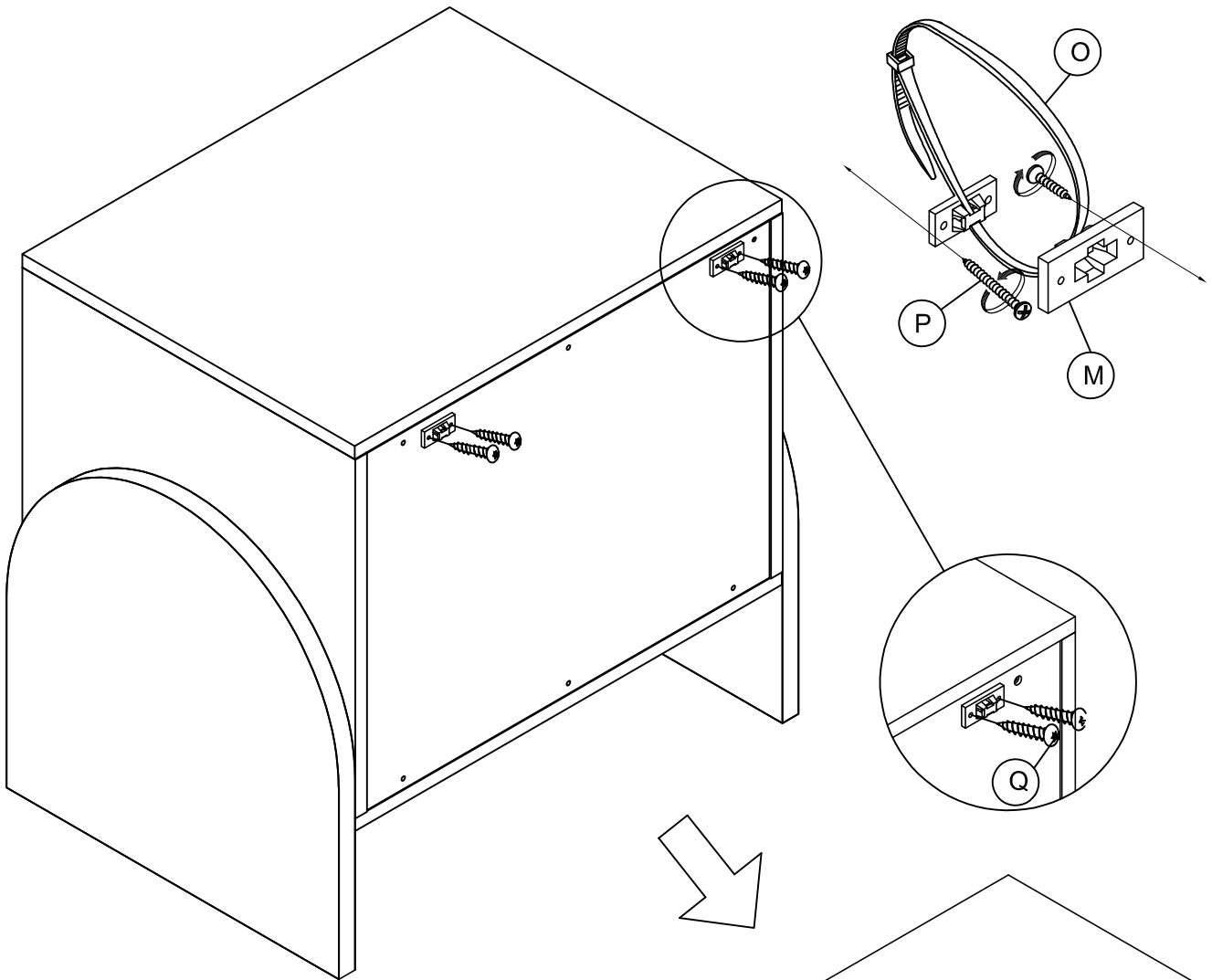
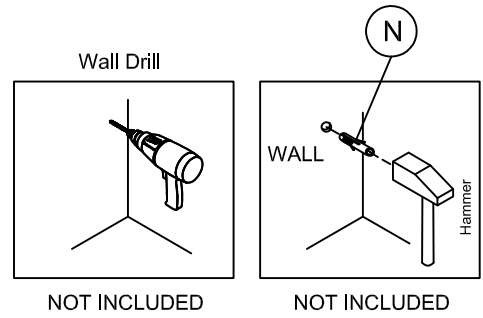
STEP 7



# ASSEMBLY INSTRUCTIONS

## STEP 8

Place the Cabinet in the desired location against the wall. Mark the position of the attached Hooks on the wall and remove the Cabinet. Using one of the remaining Hooks (M) as a template, Place the Hook (M) under the marks on the wall and mark the two hole positions. Drill the holes for the Anchors (N) and insert the Anchors (N) into the wall. Attach the remaining Hooks (M) to the Anchors (M) with Screw (P). Fully tighten the screws. Return the Cabinet to the selected position and connect the Hooks (M) together with Plastic Tie (O). Assembly is now complete.



# ASSEMBLY INSTRUCTIONS

STEP 9

