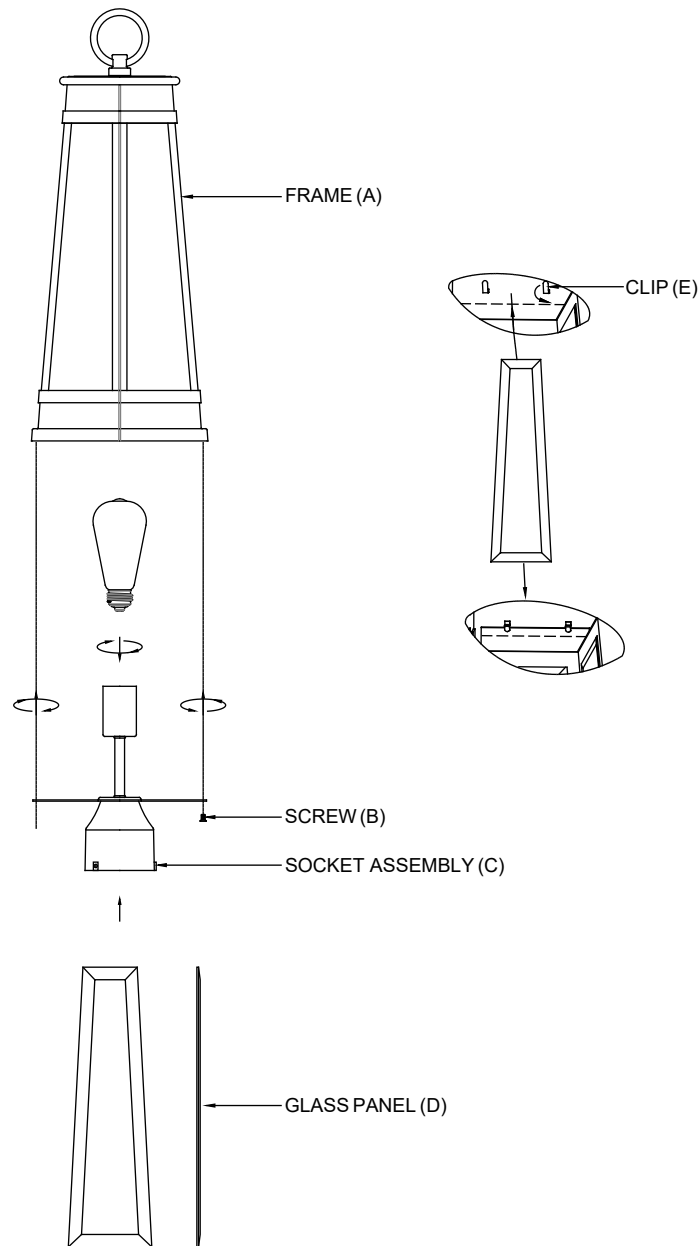




SAVOY
HOUSE

ITEM NO: 5-209



ASSEMBLY INSTRUCTIONS

1. Carefully unpack and identify all parts referring to illustration for parts identification.
2. Turn the power to the installation point OFF.
3. Install the glass panel (D) into the frame (A) and secure with clips (E) .
4. Refer to the additional installation instructions included with the product for wiring and installation.
5. Install a proper bulb (not included) into the socket referring to the markings and/or labels on the fixture for maximum wattage.
6. Carefully place the frame (A) onto the socket assembly (C), securing with screws (B).
7. Restore power to the installation point and retain this sheet for future reference.