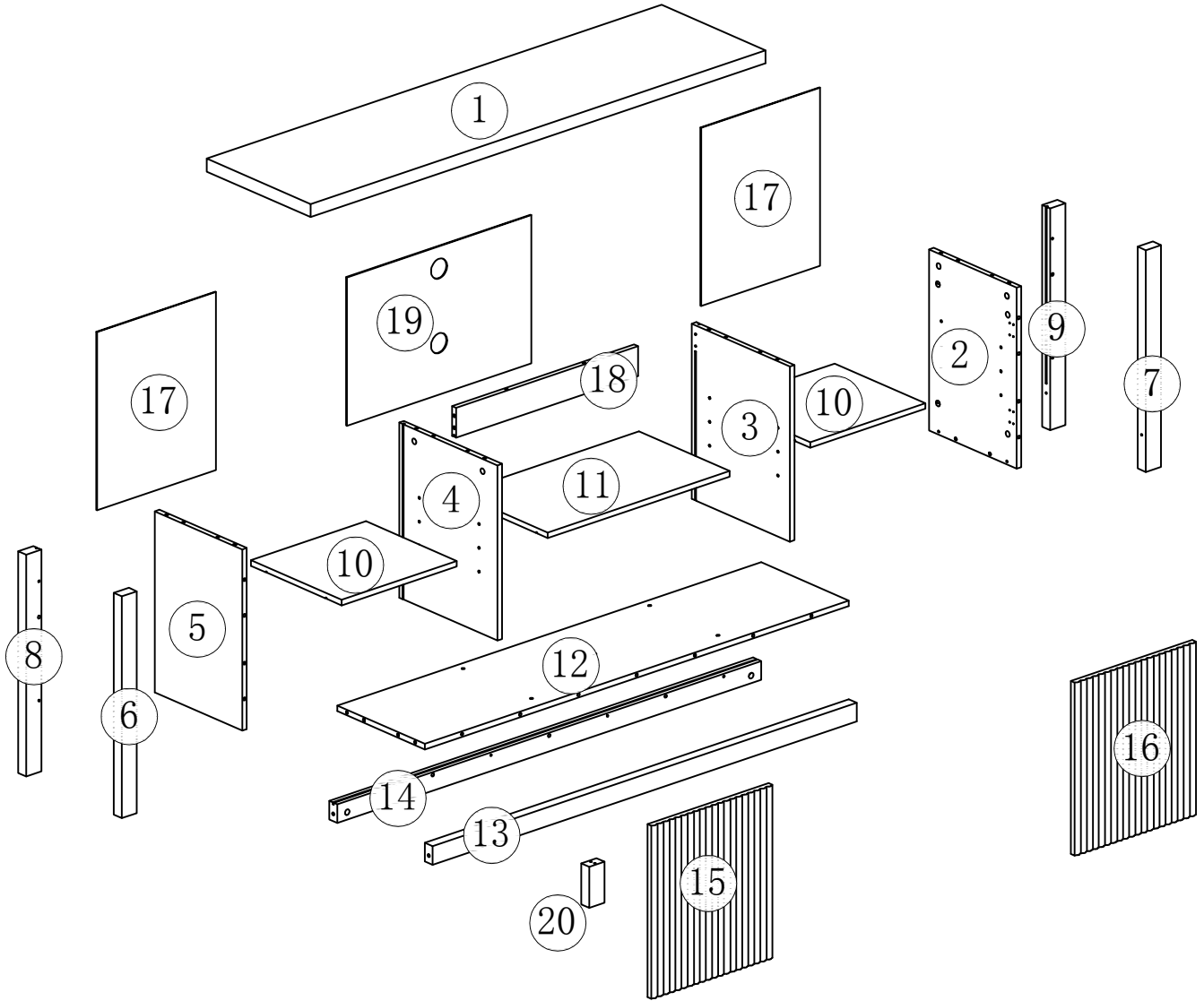
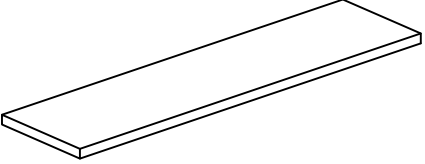
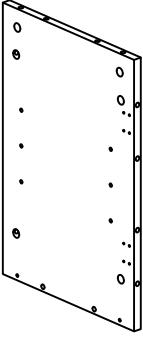
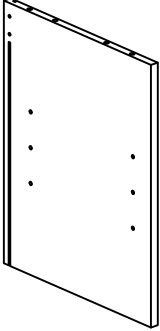
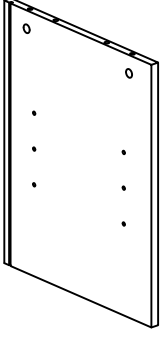
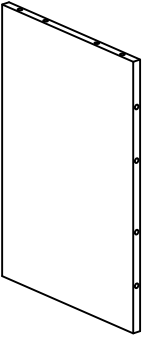




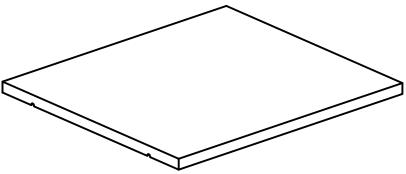
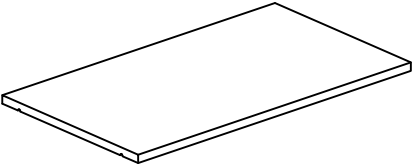
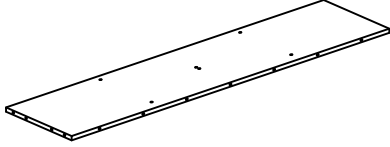
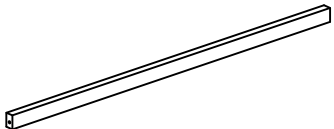
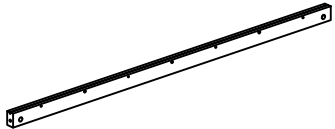
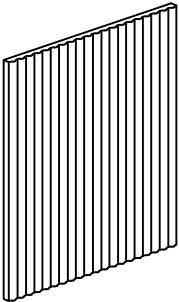
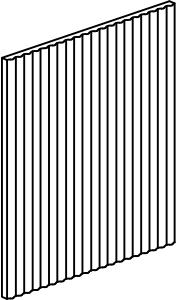


# ASSEMBLY INSTRUCTION



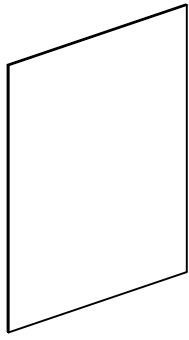
No.	PICTURE	SIZE	QTY	No.	PICTURE	SIZE	QTY					
A	∇11	⊕	ST6*40	38	G	X1	X1	ST3.5*14	12			
B		⊕	ST3.5*14	28	H				12			
C				2	J							2
D			8*35	26		J1	J2	J3	J4	J5		
E			ST7*40	6								1
F				4		4#						1
							—38					1

# ASSEMBLY INSTRUCTION

<p>①</p>  <p>X1</p>	<p>②</p>  <p>X1</p>	<p>③</p>  <p>X1</p>	
<p>④</p>  <p>X1</p>	<p>⑤</p>  <p>X1</p>	<p>⑥</p>  <p>X1</p>	
<p>⑦</p>  <p>X1</p>	<p>⑧</p>  <p>X1</p>	<p>⑨</p>  <p>X1</p>	
<p>⑩</p>  <p>X2</p>	<p>⑪</p>  <p>X1</p>	<p>⑫</p>  <p>X1</p>	
<p>⑬</p>  <p>X1</p>	<p>⑭</p>  <p>X1</p>	<p>⑮</p>  <p>X1</p>	<p>⑯</p>  <p>X1</p>

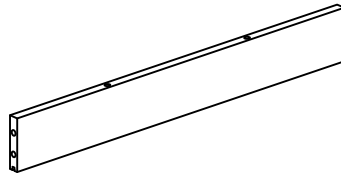
# ASSEMBLY INSTRUCTION

17



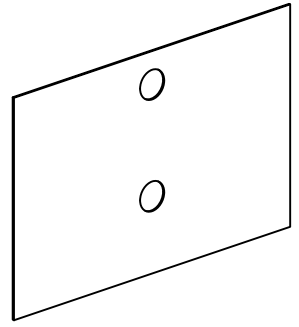
X2

18



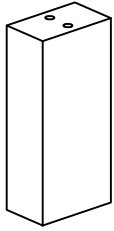
X1

19



X1

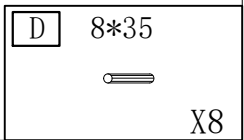
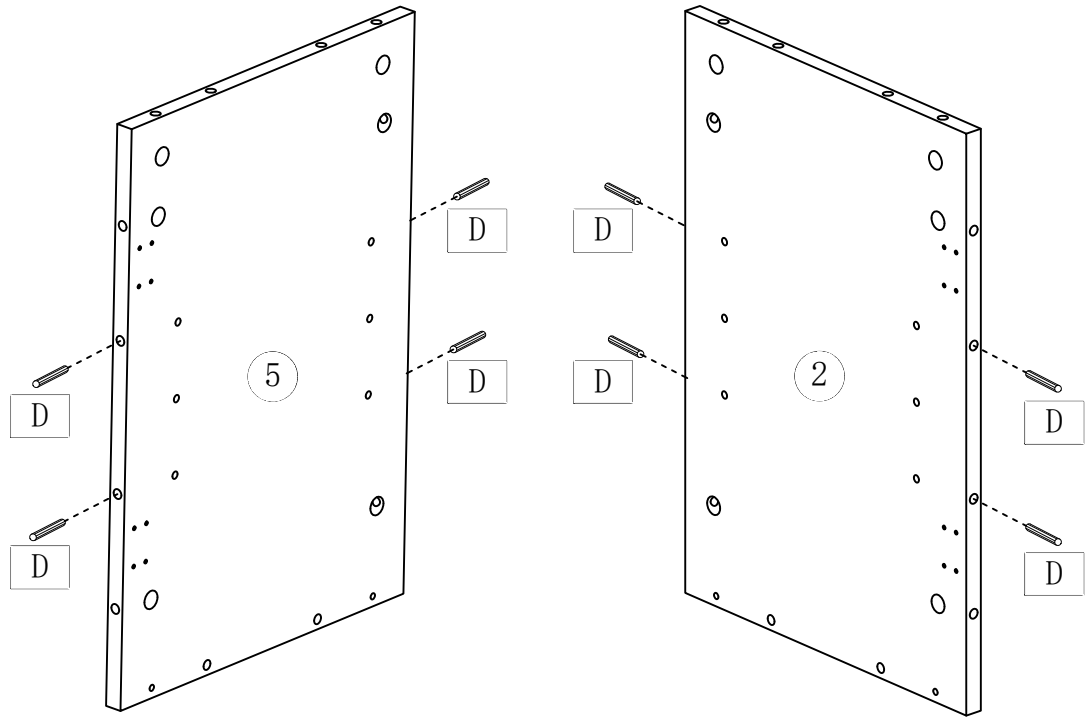
20



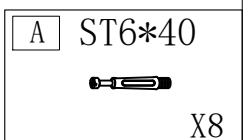
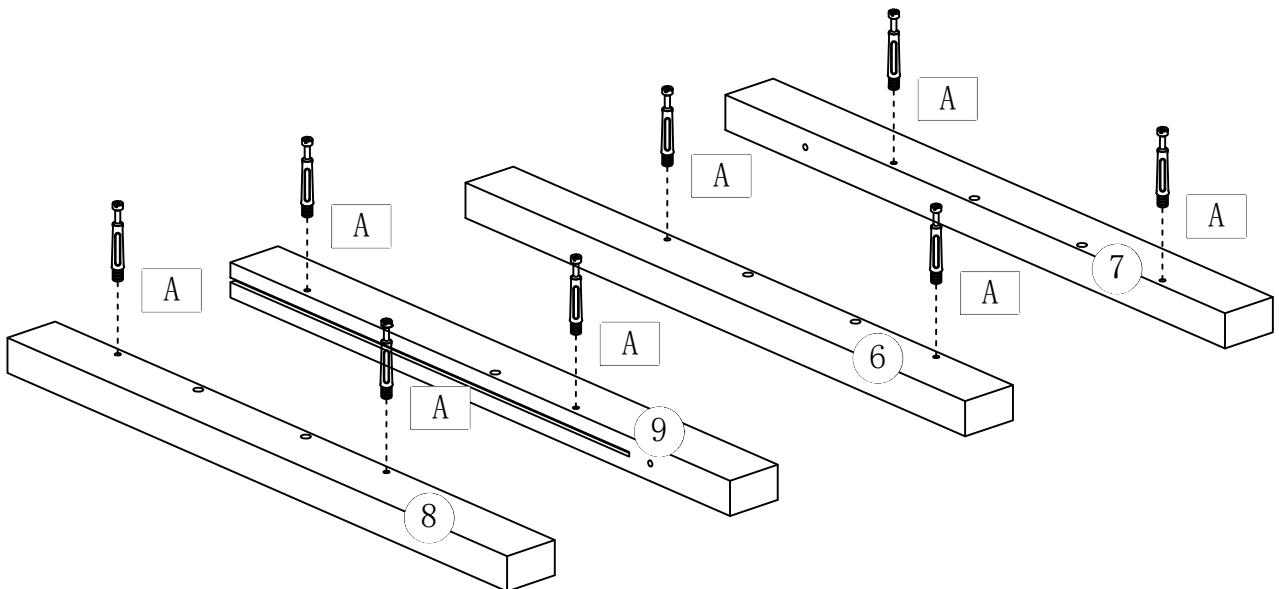
X1

# ASSEMBLY INSTRUCTION

## STEP 1

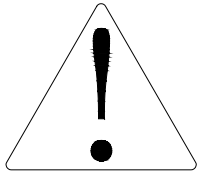
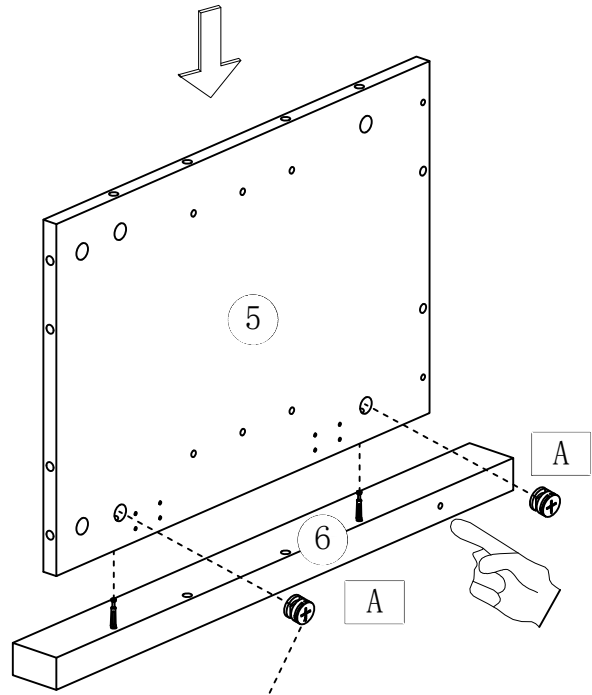
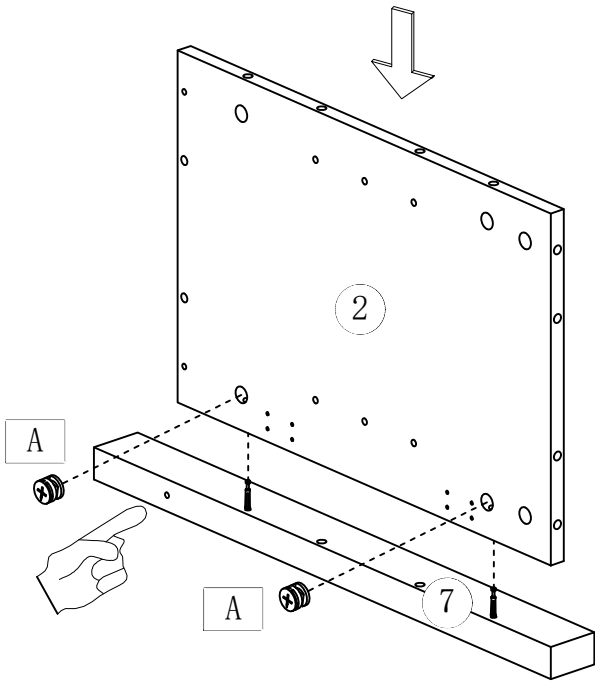


## STEP 2

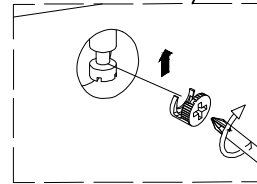


# ASSEMBLY INSTRUCTION

## STEP 3



Pay attention to the orientation of the holes.

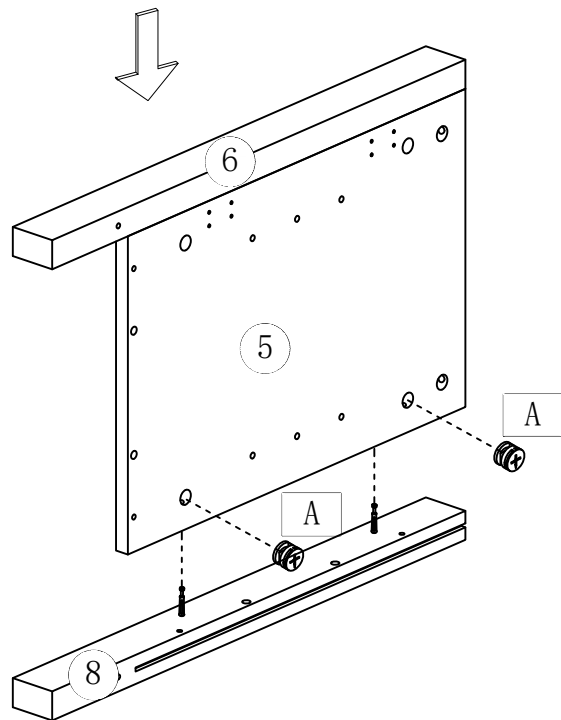
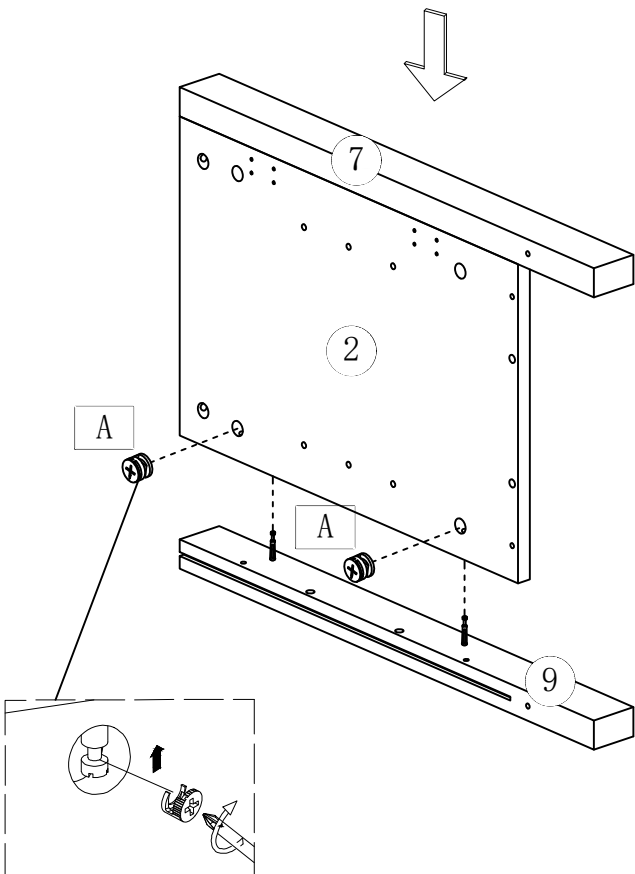


A ST6\*40



X4

## STEP 4



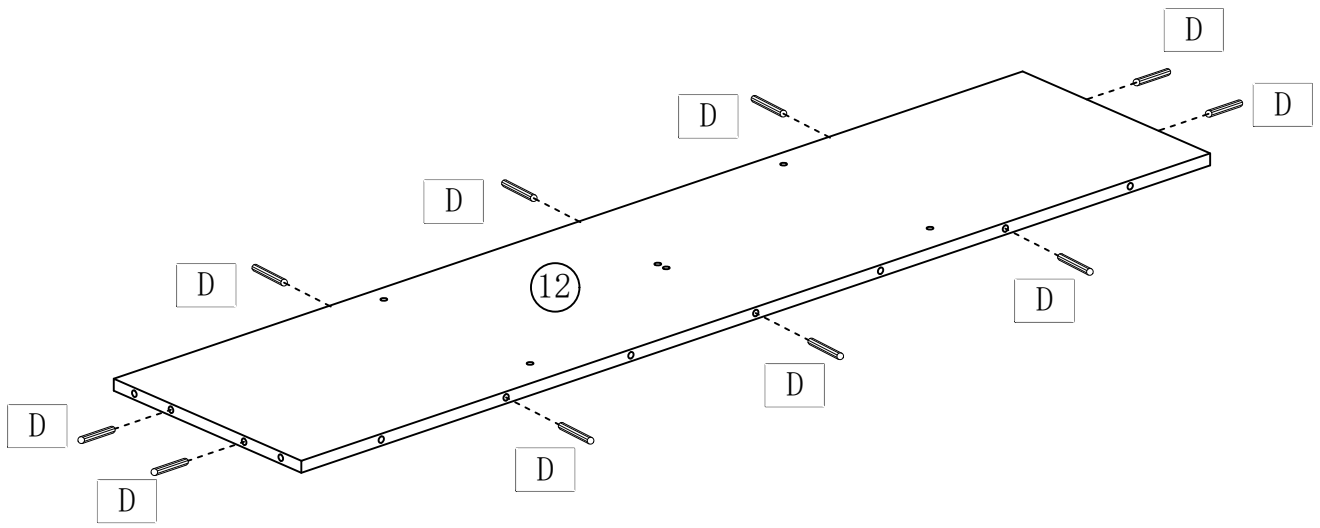
A ST6\*40




X4

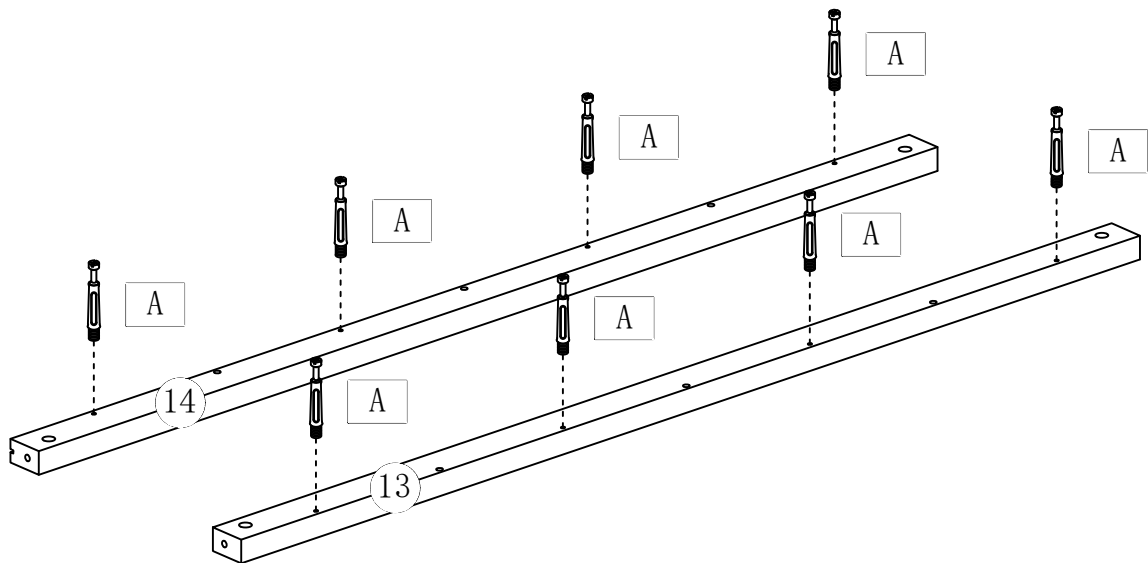
# ASSEMBLY INSTRUCTION


## STEP 5



D	8*35
	
X10	

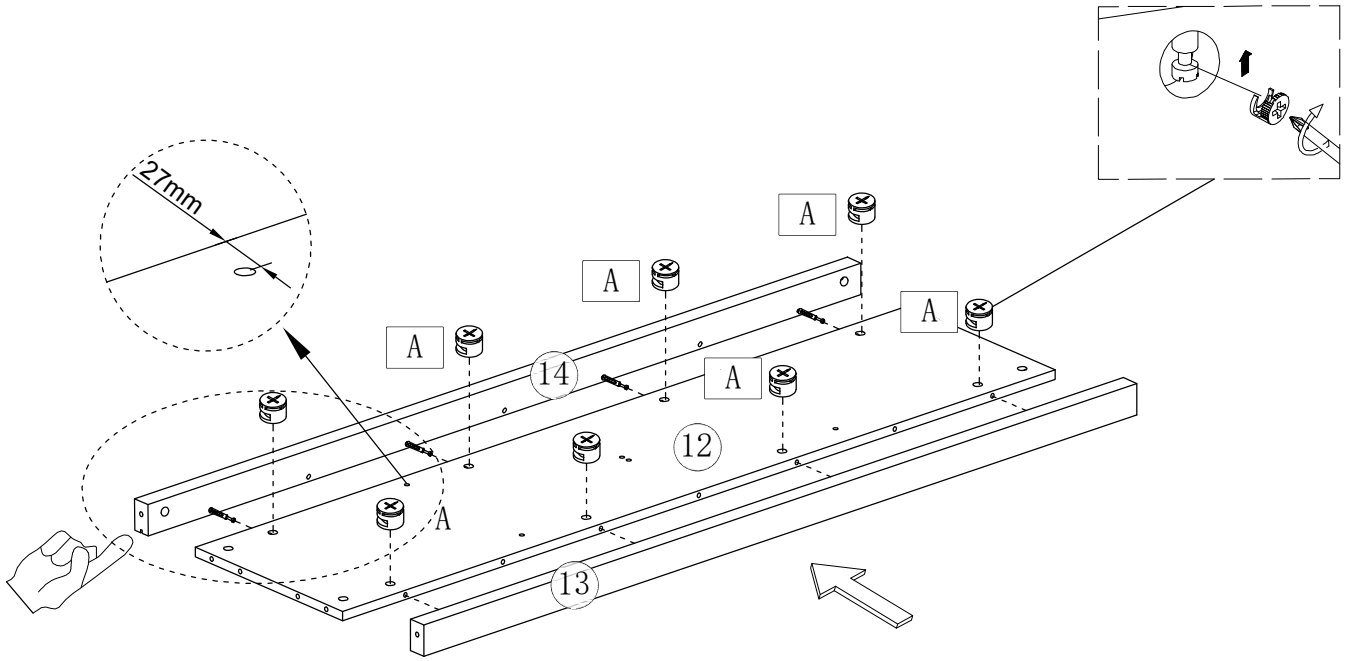
## STEP 6



A	ST6*40
	
X8	

# ASSEMBLY INSTRUCTION

## STEP 7

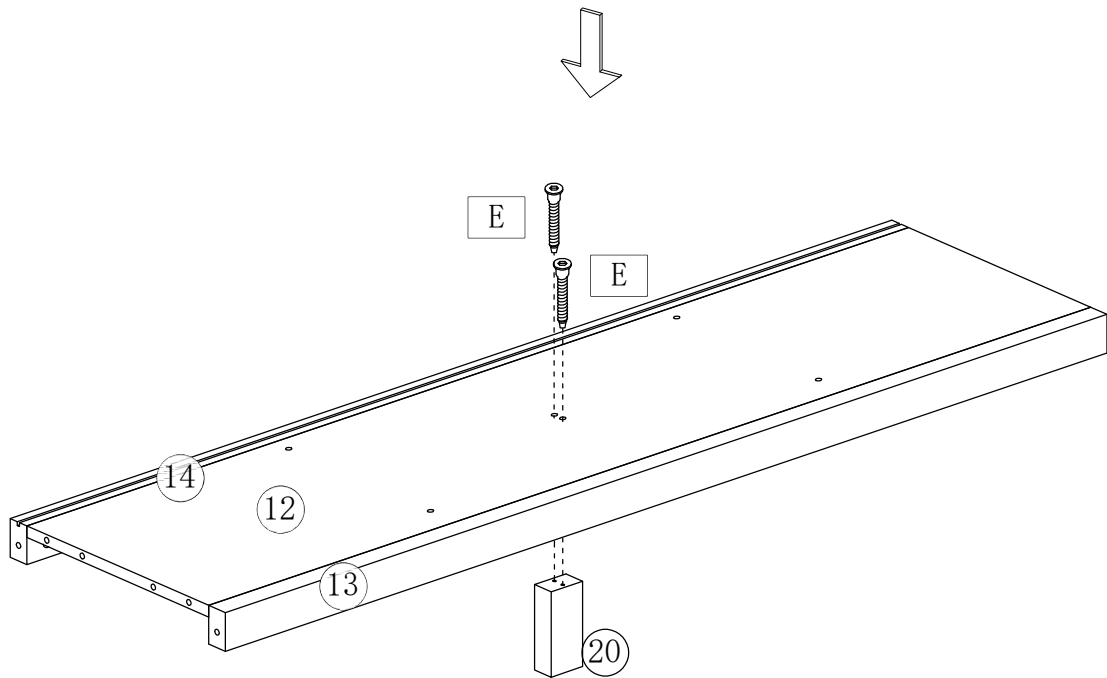


A ST6\*40



X8

## STEP 8



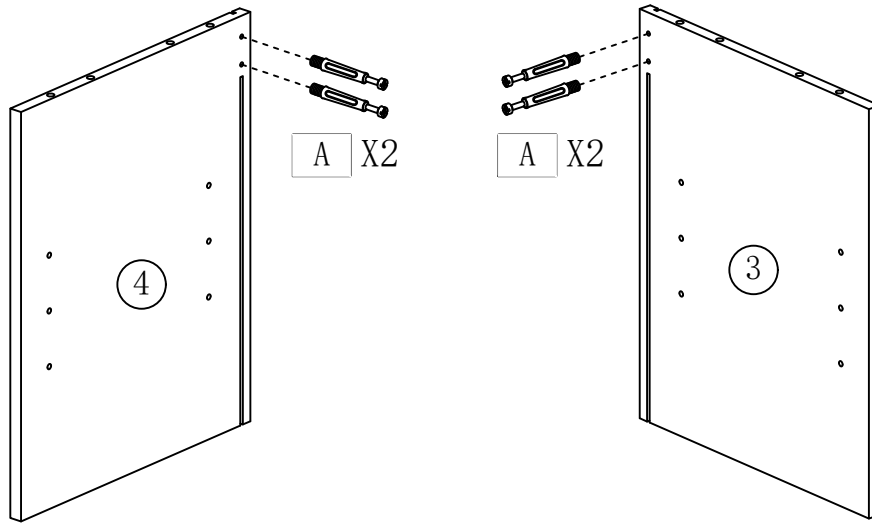
E ST7\*40



X2

# ASSEMBLY INSTRUCTION

## STEP 9

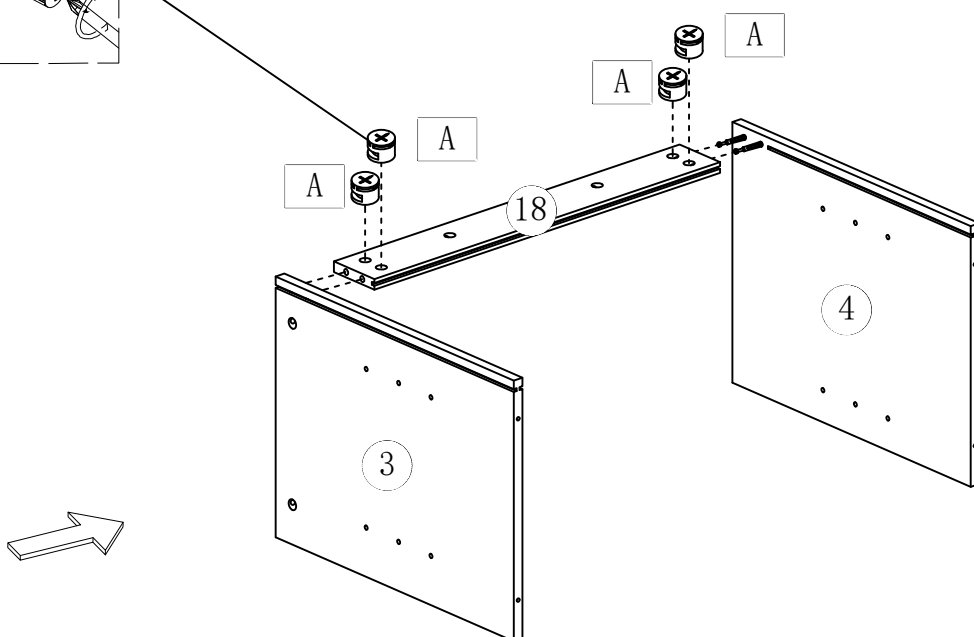
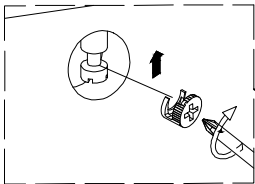


A ST6\*40



X4

## STEP 10



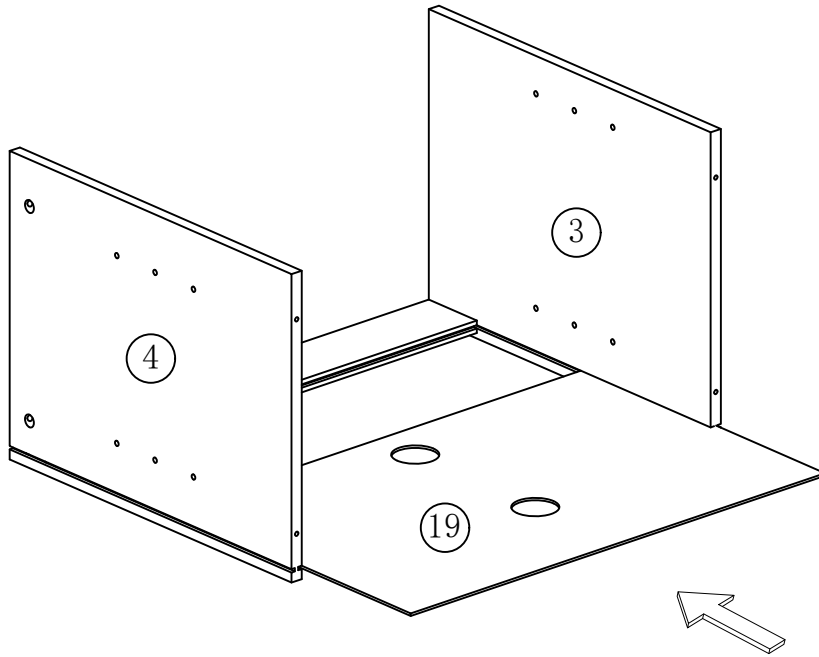
A ST6\*40



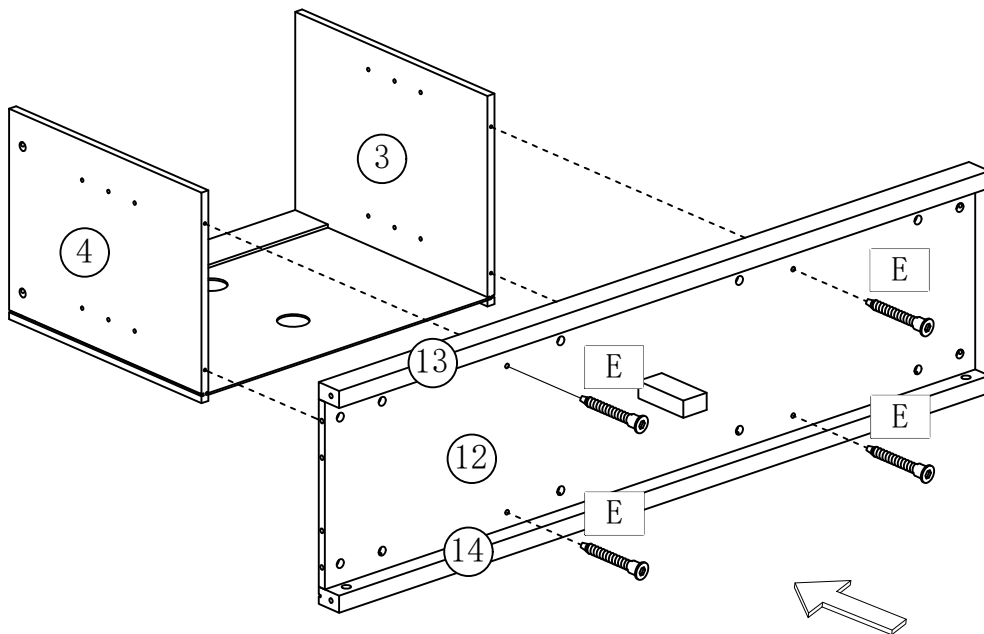
X4

# ASSEMBLY INSTRUCTION

STEP 11



STEP 12



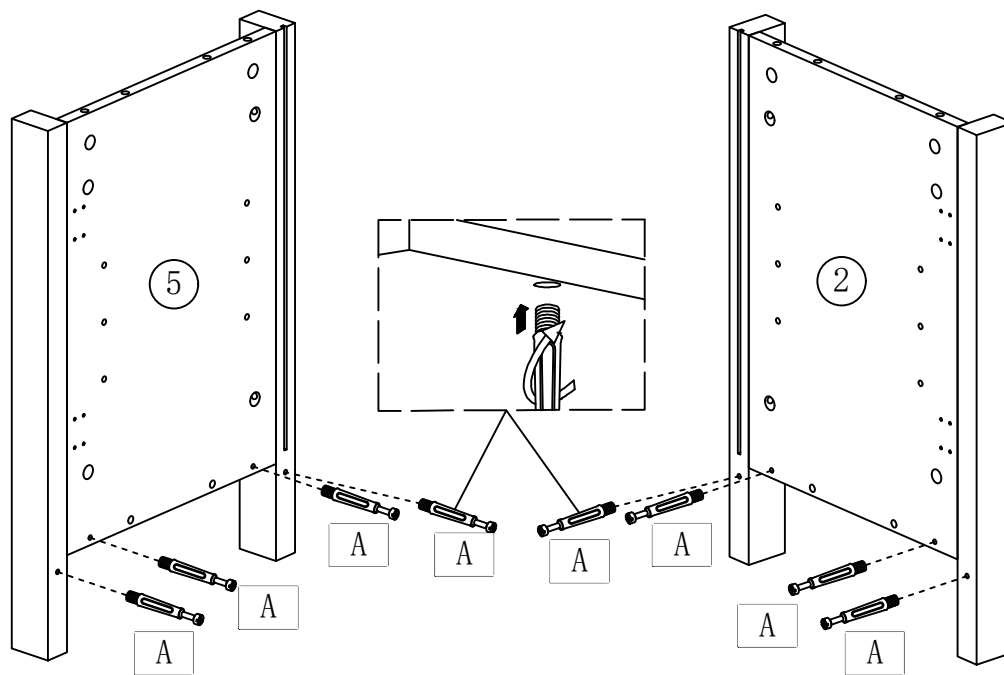
E ST7\*40



X4

# ASSEMBLY INSTRUCTION

STEP 13

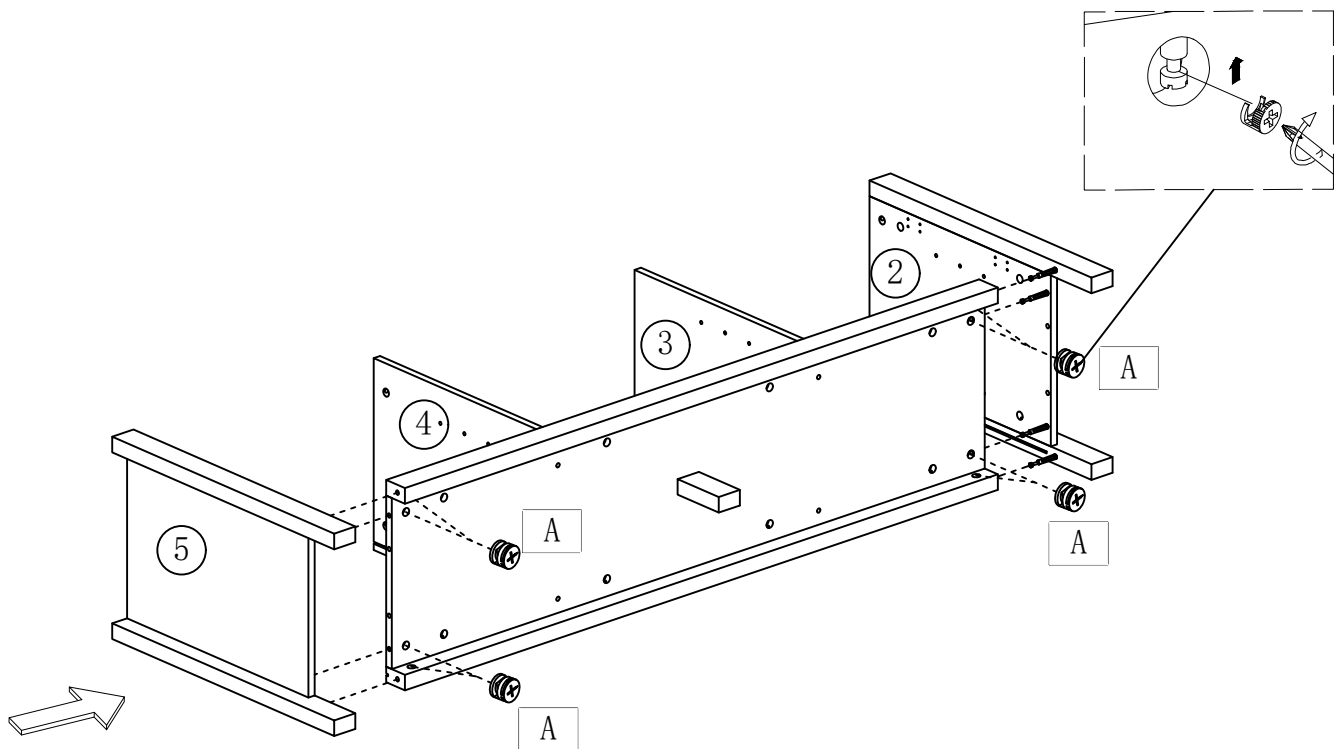


A ST6\*40



X8

STEP 14



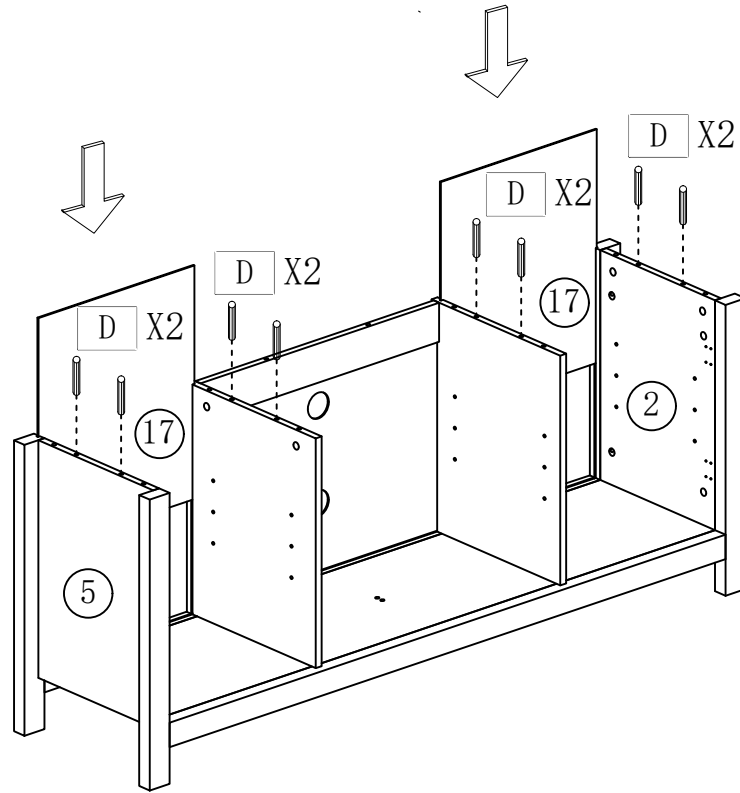
A ST6\*40




X8

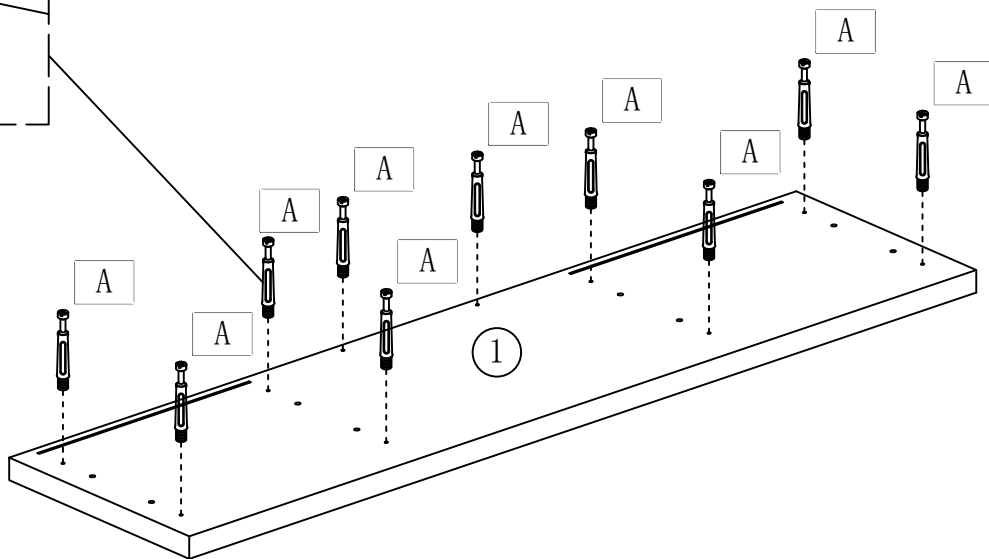
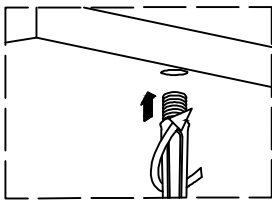
# ASSEMBLY INSTRUCTION


STEP 15



D	8*35
	
X8	

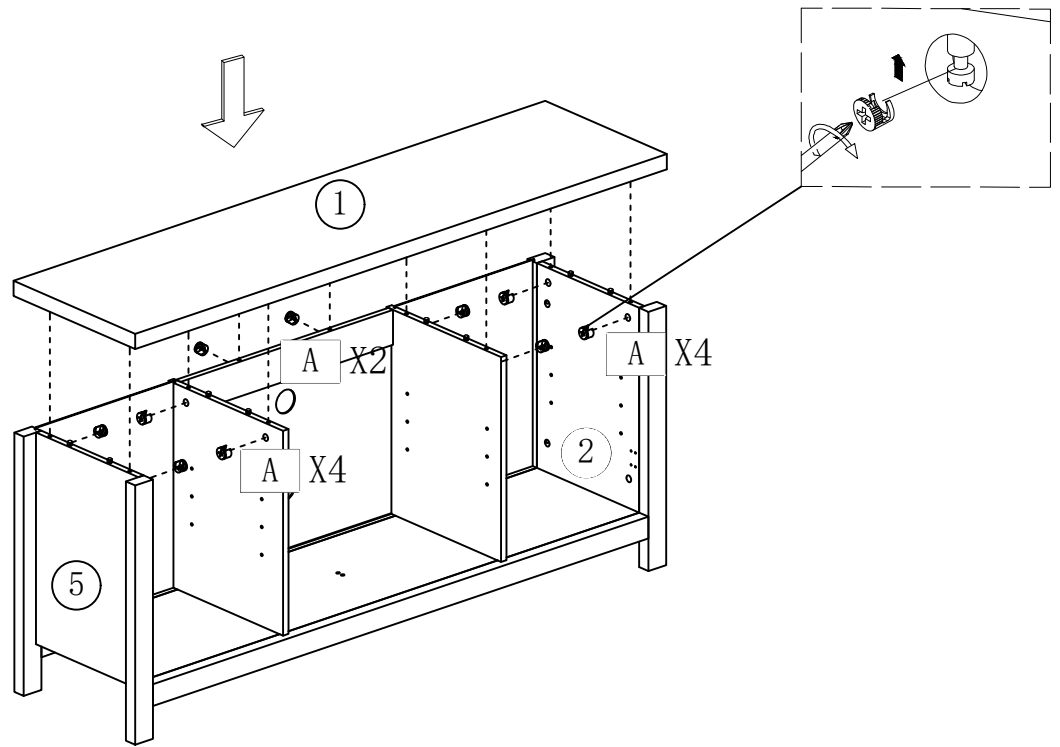
STEP 16



A	ST6*40
	
X10	

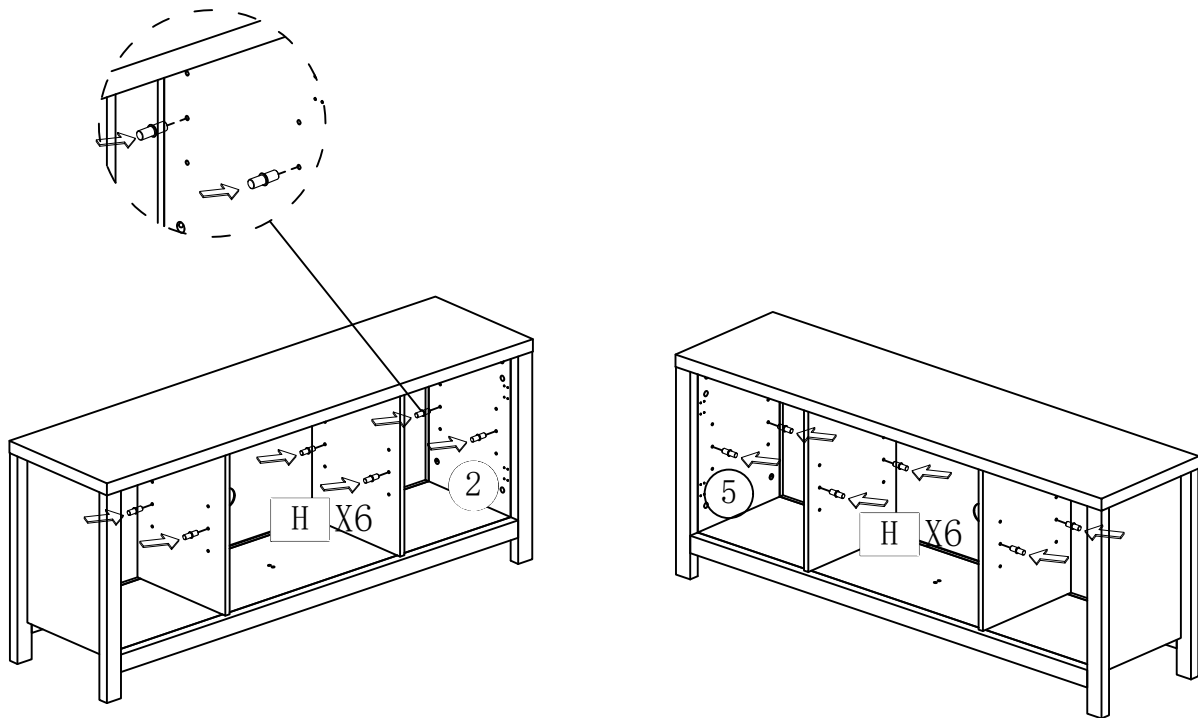
# ASSEMBLY INSTRUCTION

STEP 17



A ST6\*40  
X10

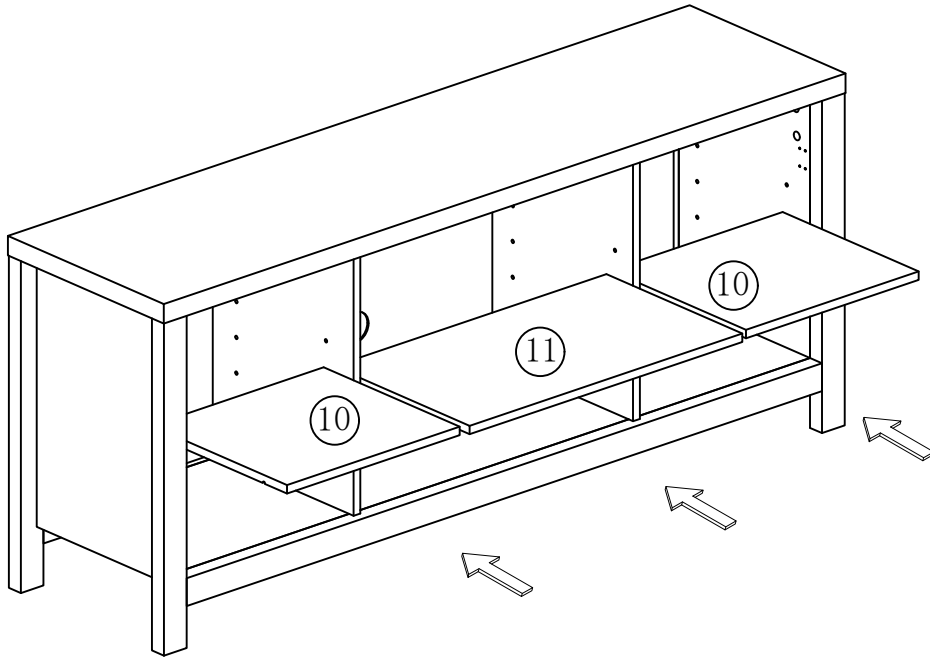
STEP 18



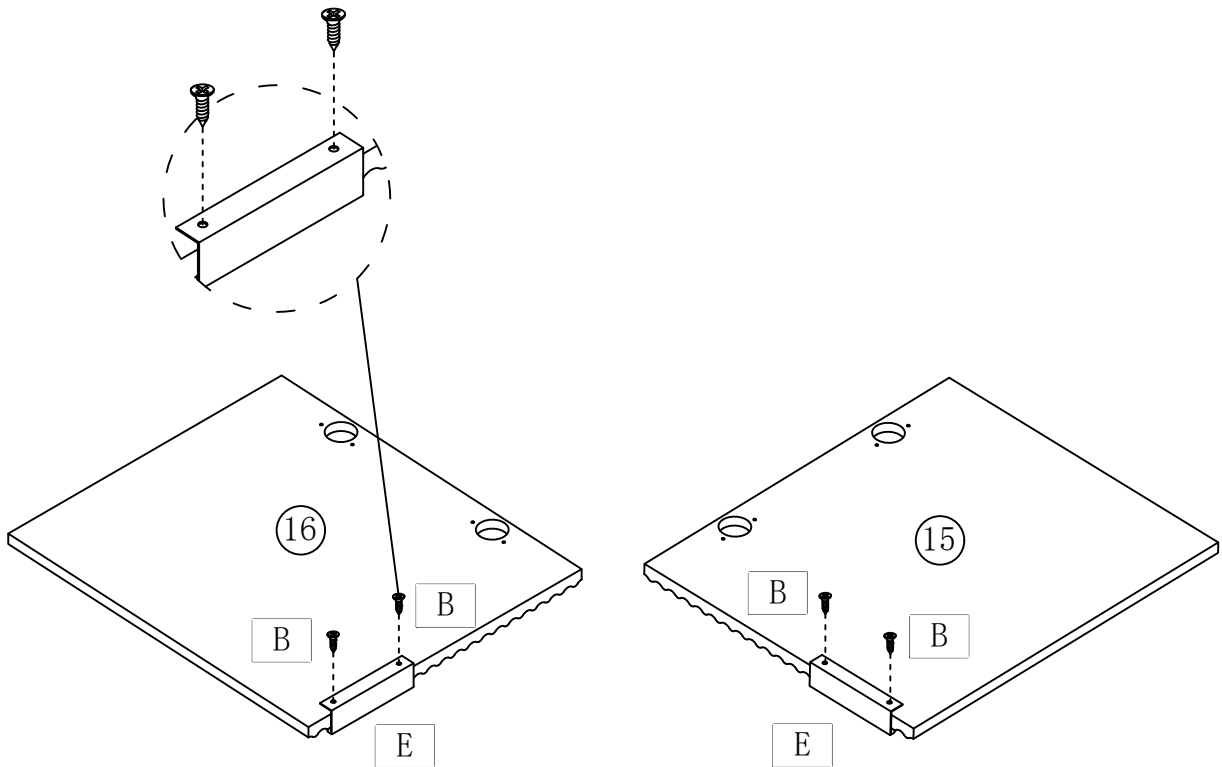
H  
X12



# ASSEMBLY INSTRUCTION

STEP 19



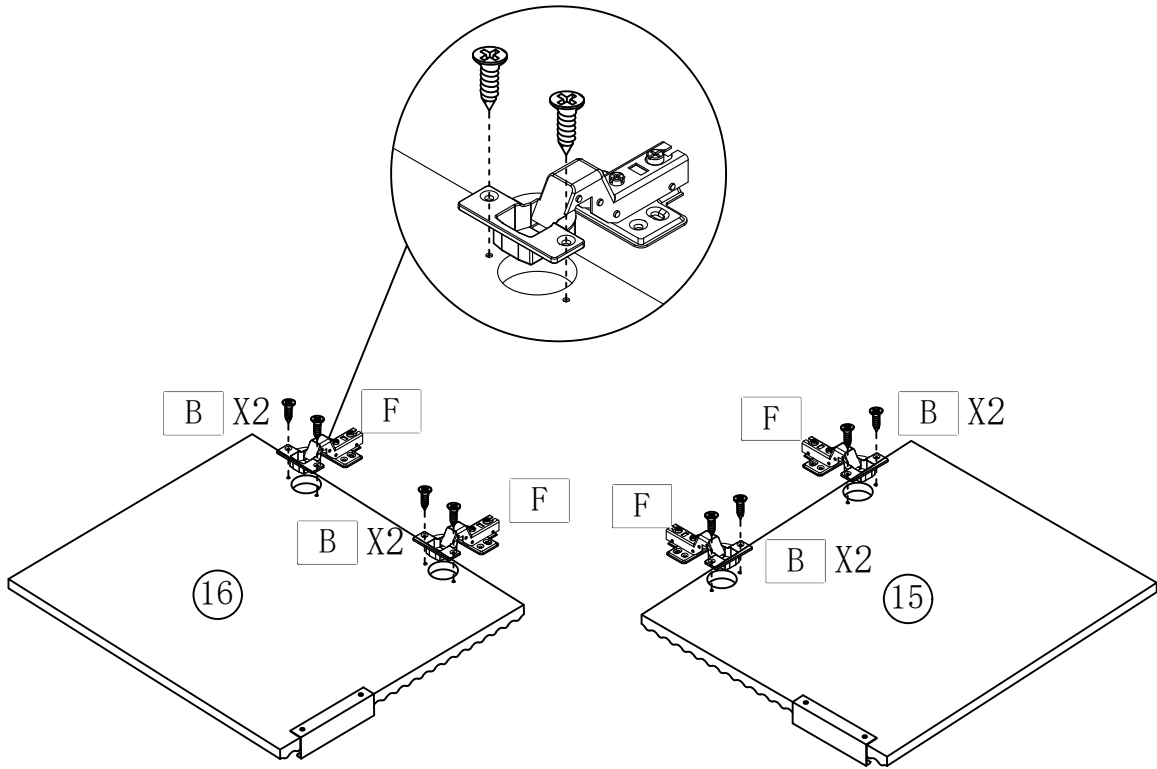
STEP 20






B	ST3.5*14	E
		
	X4	X2

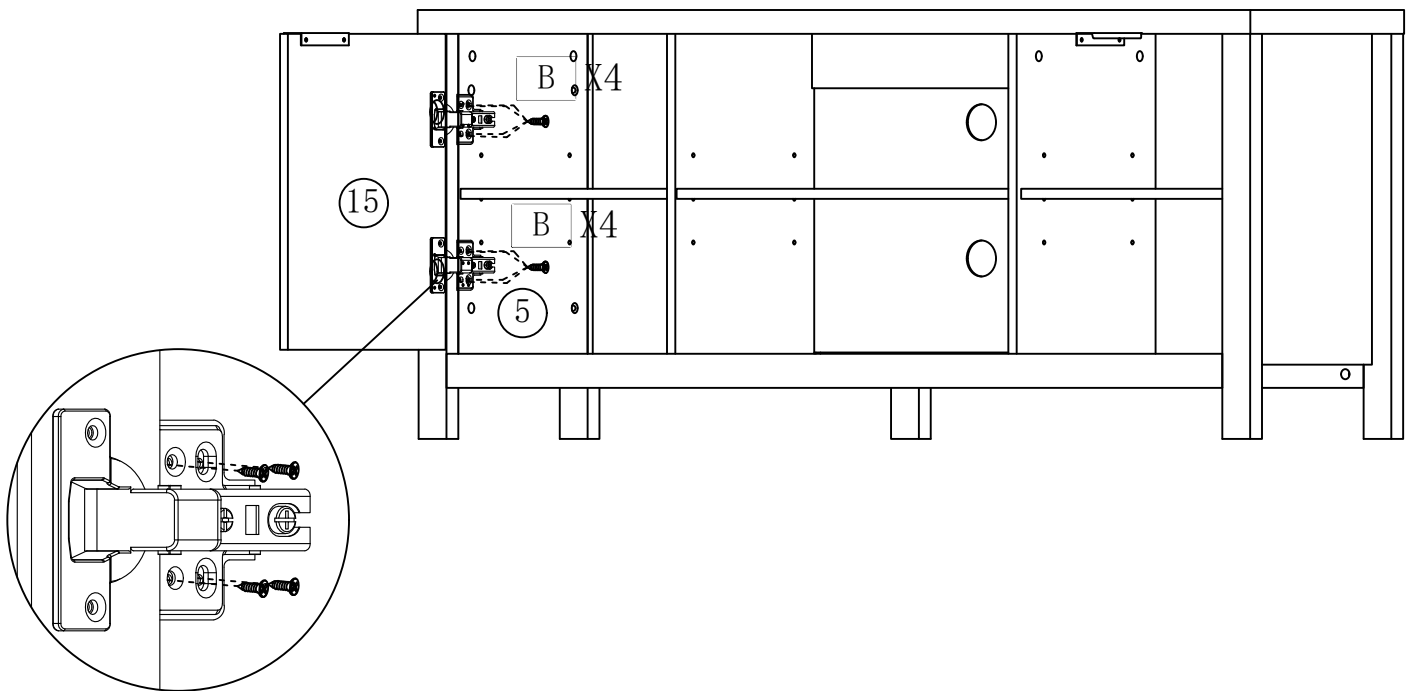
# ASSEMBLY INSTRUCTION


STEP 21



B	ST3. 5*14	F	
			
	X8		X4

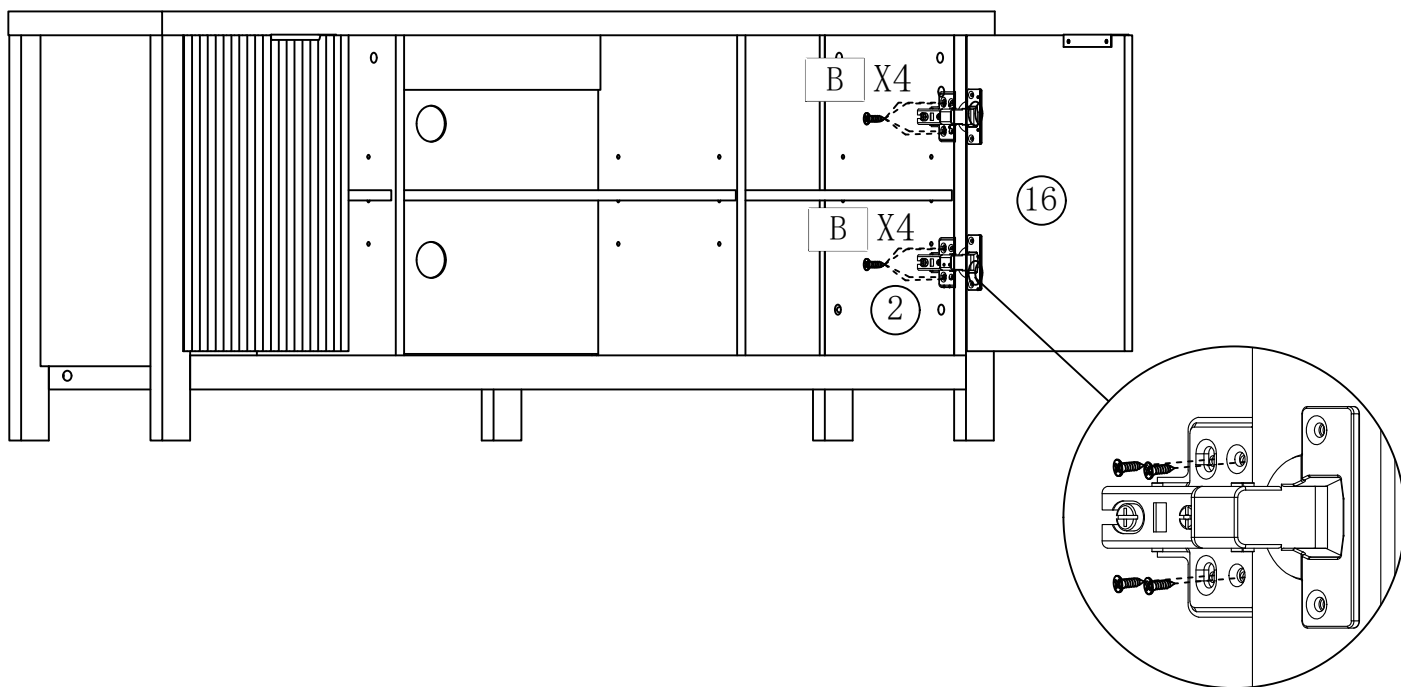
STEP 22



B	ST3. 5*14
	
	X8

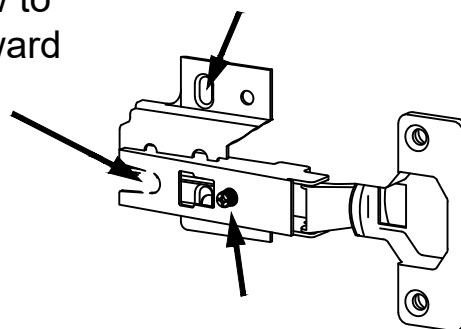
# ASSEMBLY INSTRUCTION

STEP 23



2.Adjust this screw to make the door forward or backward

3.Adjust this screw to make the door go up or down



Note: After the door pane is installed,if the gap of the door is too large or too small, you can adjust this screw to adjust the gap of the door.

1.Adjust this screw to make the door turn left or right

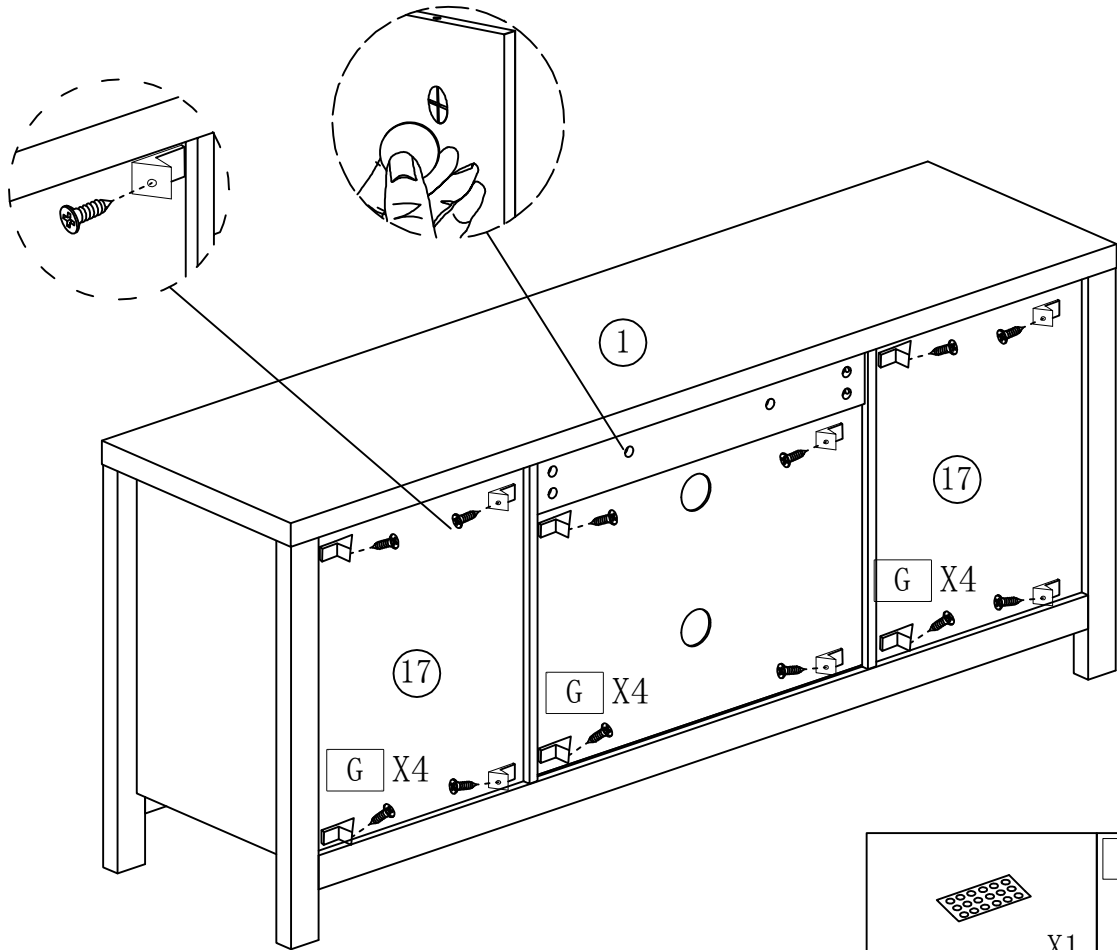
B ST3. 5\*14



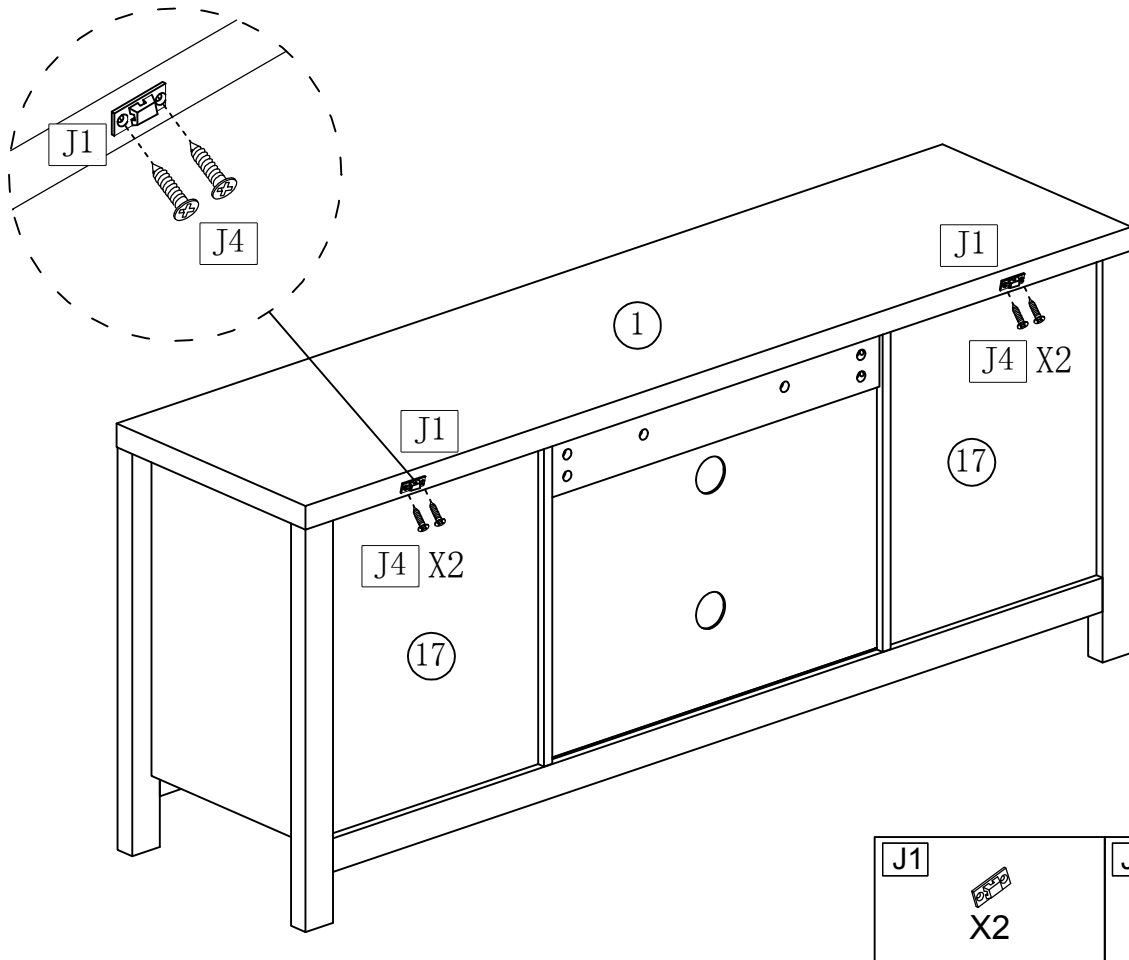
X8

# ASSEMBLY INSTRUCTION

STEP 24

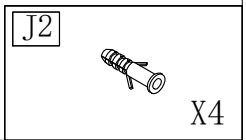
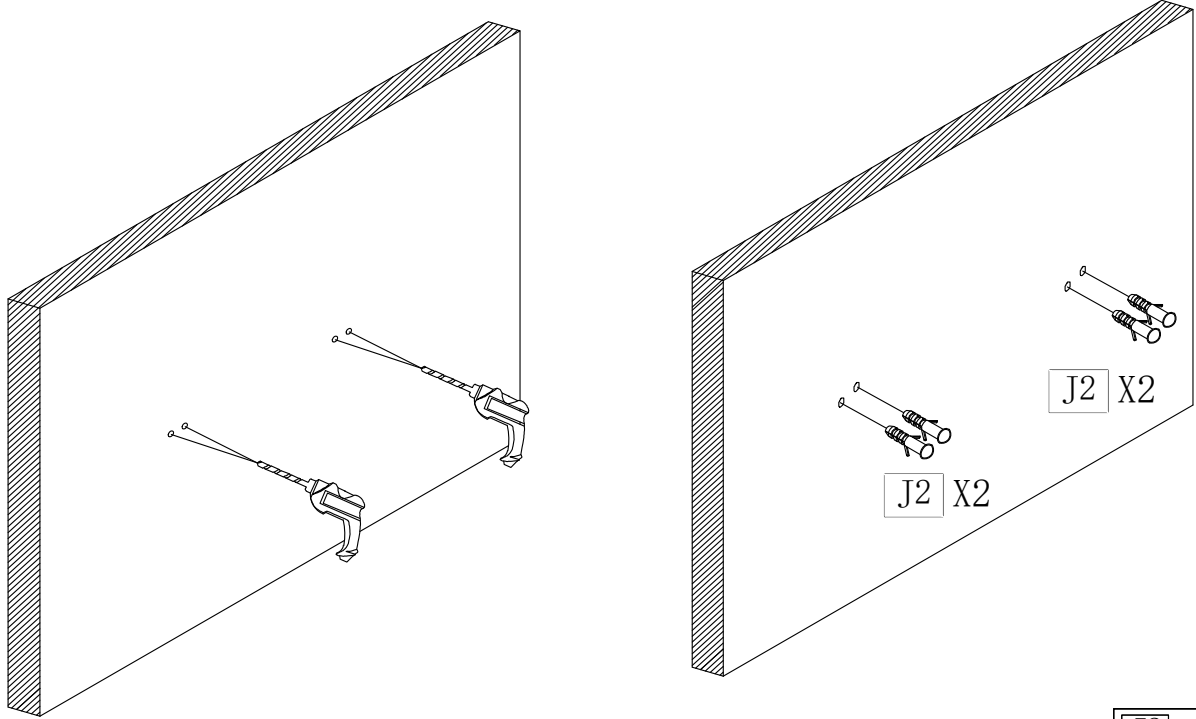


STEP 25

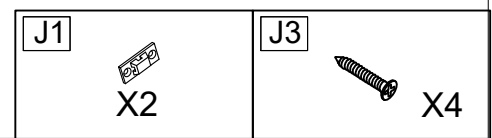
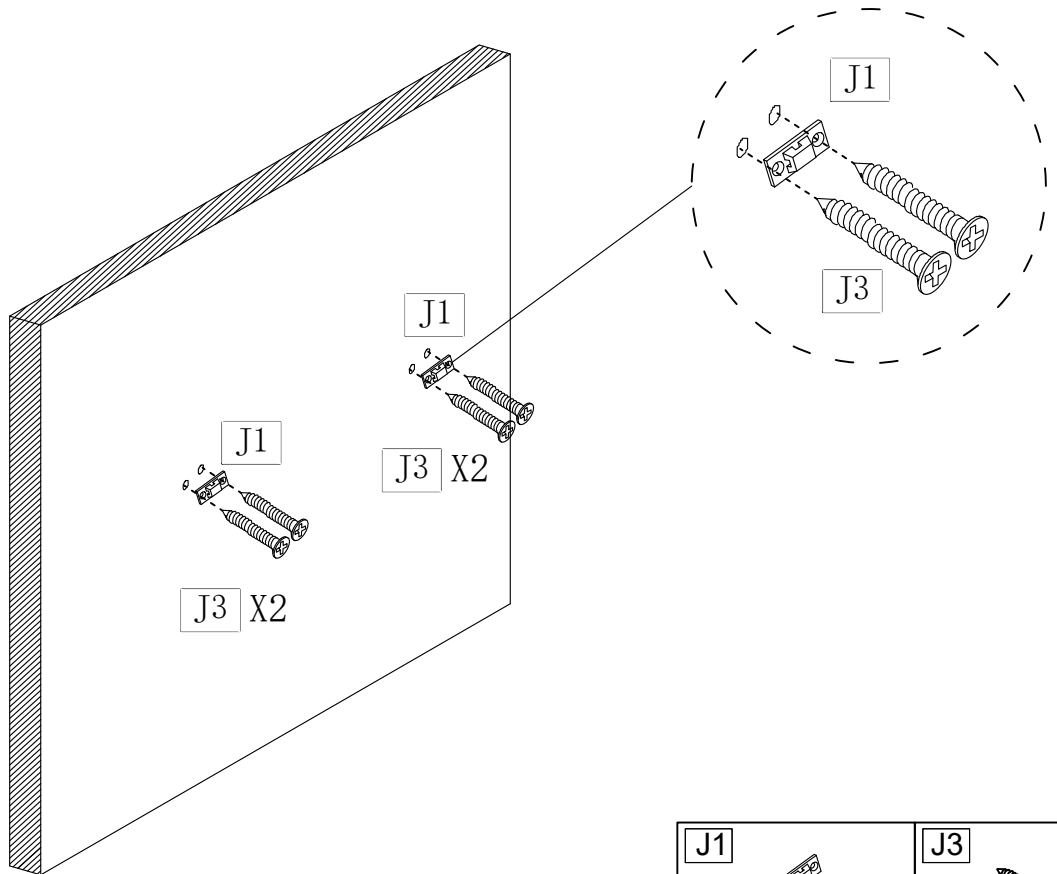


# ASSEMBLY INSTRUCTION

STEP 26



STEP 27



# ASSEMBLY INSTRUCTION

STEP 28

