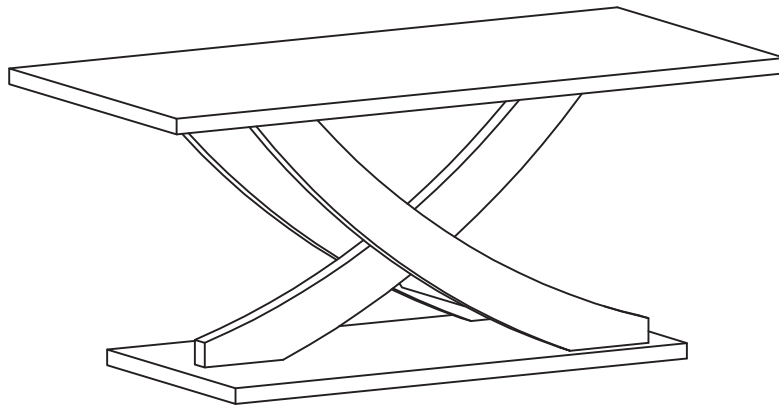


# CONVENIENCE CONCEPTS

## NEWPORT CROSS COFFEE TABLE

121682



SCAN QR CODE FOR  
E-MANUAL, IF DESIRED

### ASSEMBLY INSTRUCTIONS

---

We have designed our furniture with you , the customer in mind. Our clear, easy to follow, step by step instructions will guide you through the project from start to finish. Feel confident that this will be a fun and rewarding project .The final product will be a quality piece of furniture that will go together smoothly and give years of enjoyment.

---



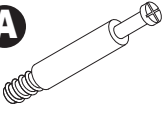


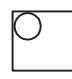



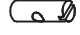

Please do not return to the store  
Broken or missing parts?  
Need help with assembly?

Our Illinois based customer service team is ready to help with any problems or questions you may have. Please give us a call (Toll Free) at 1-800-468-6447, or email us at [parts@convenience-concepts.com](mailto:parts@convenience-concepts.com).  
Normal hours of Operation: M-F\* 8am-4pm CST.

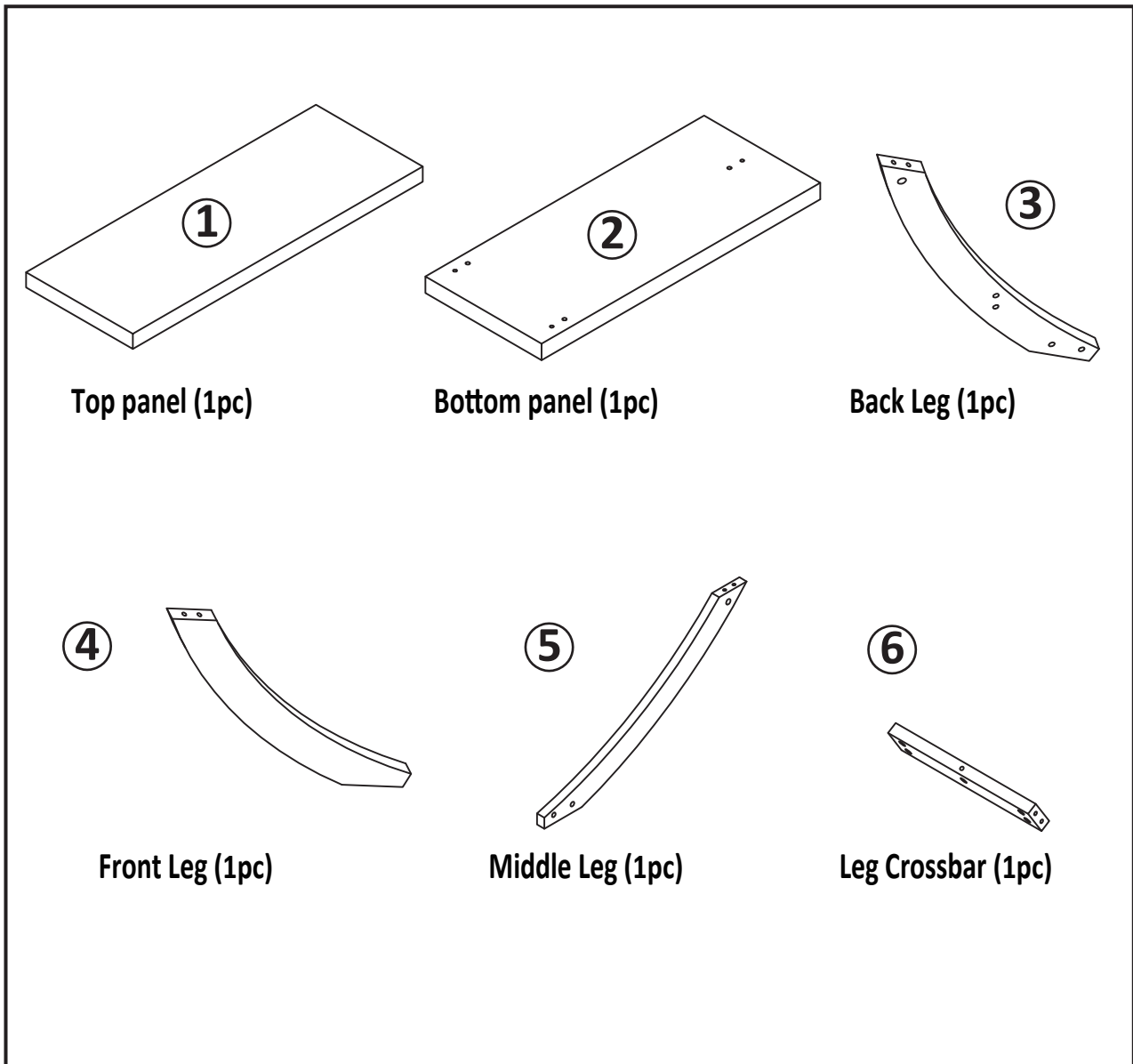
\*Excludes Holidays

This product's warranty is only valid through authorized dealers.

## Hardware List

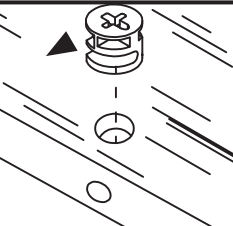
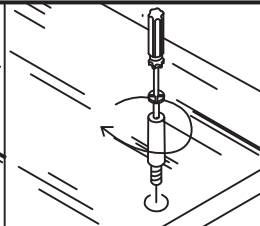
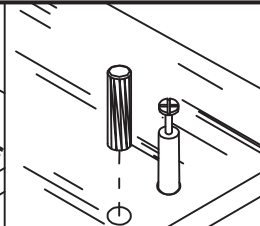
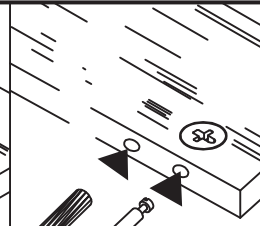
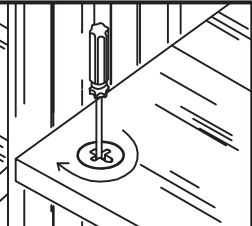
<b>A</b> 	<b>B</b>  $\Phi$ 15	<b>C</b>  $\Phi$ 8x30	<b>D</b>  $\Phi$ 20
Cambolt (8pcs)	Camlock (8pcs)	Wood dowel (3pcs)	Sticker (14pcs)
<b>E</b>  $\Phi$ 15	<b>F</b>  $\Phi$ 16x8x2	<b>G</b> 	<b>H</b> 
Foot Pin (4pcs)	Washer (6pcs)	Barrel Bolt (6pcs)	Barrel Nut (6pcs)
<b>I</b> 			
Allen wrench (1pcs)			

## Panel List

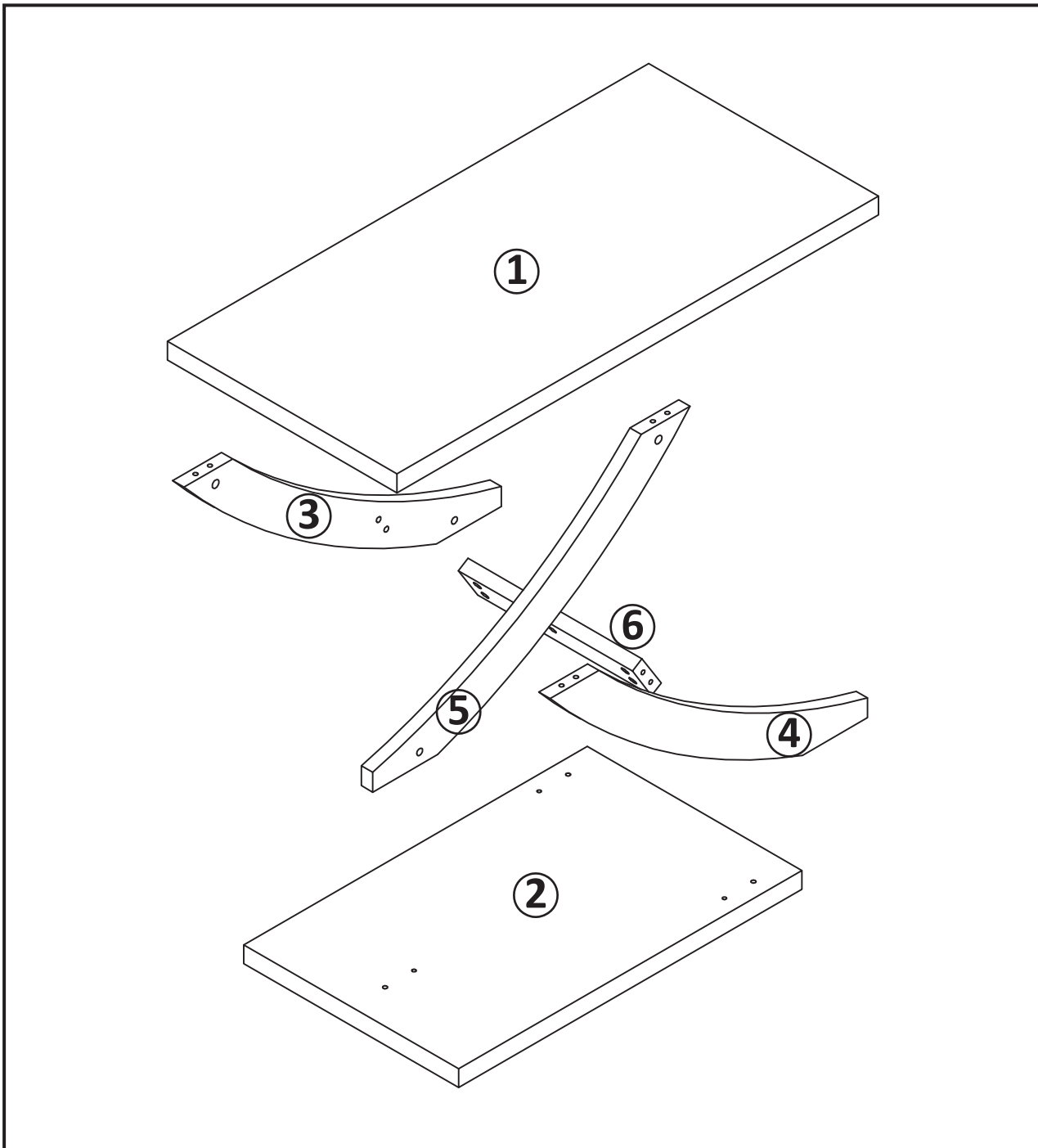


**\*Please count and verify all parts before assembly.\***

## Assembling the unit with camlocks and wood dowels.

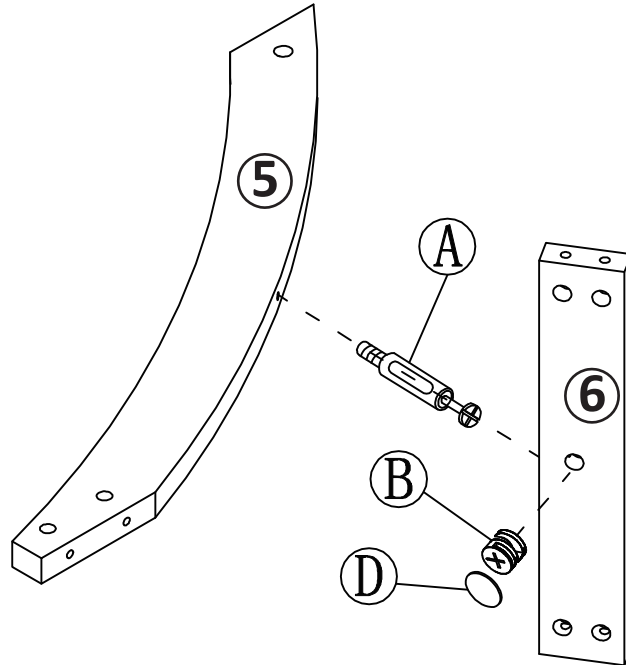
				
Insert camlock, camlock must face bolt hole	Gently screw cam Bolt into the threaded anchor	lightly glue one end of wood dowel and tap into hole.	lightly glue dowel and connect to second panel by inserting dowels into holes	Gently screw the cam clockwise into locked position. Do not overtighten.

## Exploded Views



## Step 1

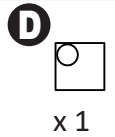
1. Screw cambolt (A) into middle leg(5).
2. Insert camlocks(B) into leg crossbar(6).
3. Connect middle leg(5) to leg crossbar(6) by gently tightening camlocks(B).
4. Cover camlocks(B) with stickers(D).



x 1



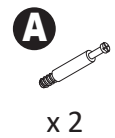
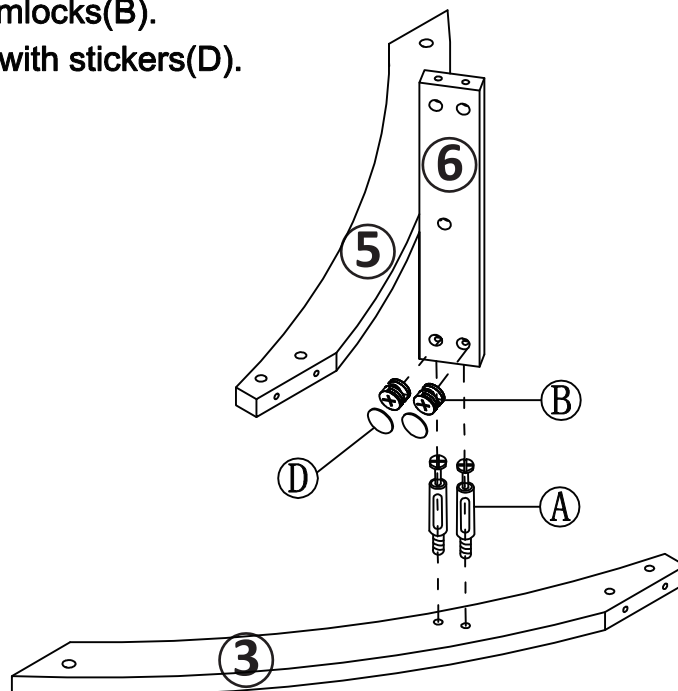
x 1



x 1

## Step 2

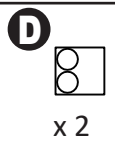
1. Screw cambolts (A) into back leg(3).
2. Insert camlocks(B) into leg crossbar(6).
3. Connect back leg(3) to leg crossbar(6) by gently tightening camlocks(B).
4. Cover camlocks(B) with stickers(D).



x 2



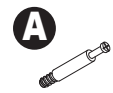
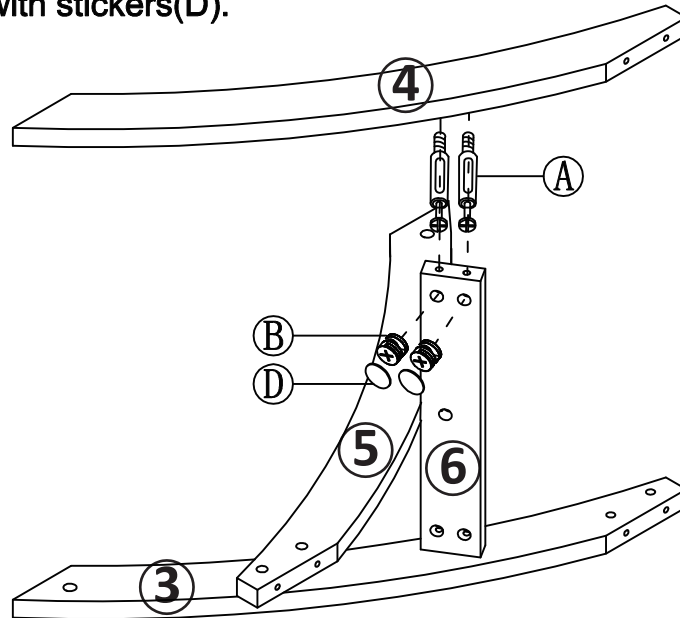
x 2



x 2

## Step 3

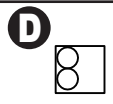
1. Screw cambolts(A) into front leg(4).
2. Insert camlocks(B) into leg crossbar(6).
3. Connect front leg(4) to leg crossbar(6) by gently tighten camlocks.
4. Cover camlocks with stickers(D).



x 2



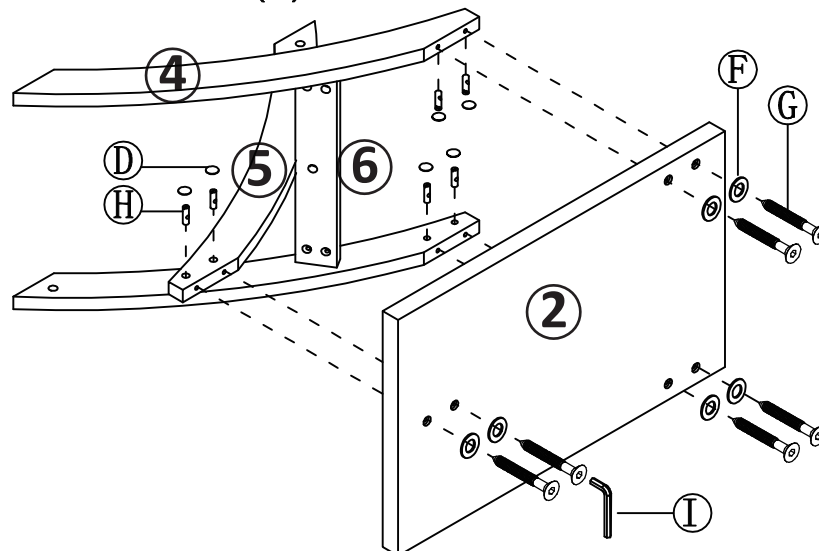
x 2



x 2

## Step 4

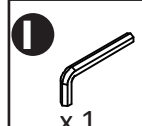
1. Insert barrel nuts (H) into front legs(4), back leg (3) and middle leg (5) as shown. Make sure thread on barrel nut faces bolt hole.
2. Attach bottom panel (2) to assembly using washer(F), barrel bolt(G), and allen wrench(I).
3. Cover barrel nuts with stickers(D).



x 6



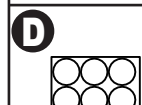
x 6



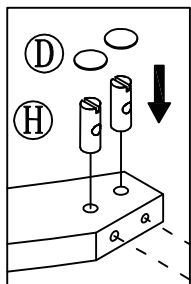
x 1



x 6

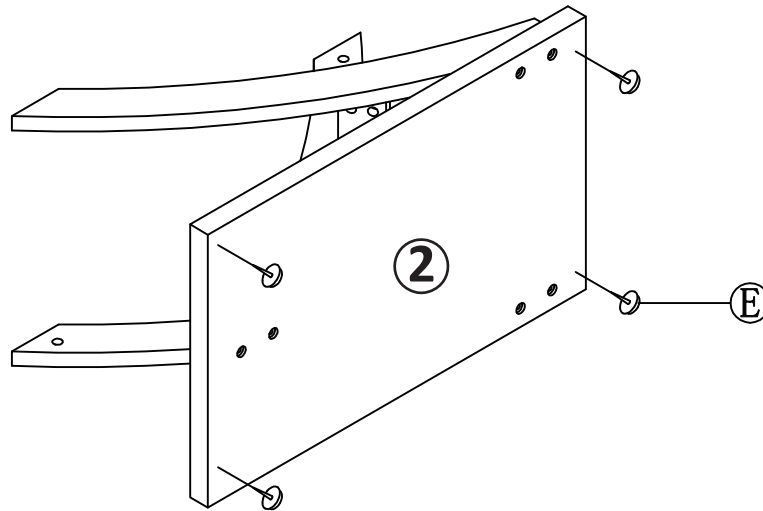


x 6



## Step 5

1. Gently tap foot pins(E) into bottom of bottom panel(2).



## Step 6

1. Screw cambolts(A) into Top panel (1).
2. Insert camlocks(B) and Dowels (C) into front legs(4), back leg (3) and middle leg (5) .
3. Connect top panel to front legs(4), back leg (3) and middle leg (5) by gently tighten camlocks ..
4. Cover camlocks with stickers(D).
5. Enjoy!

