

ASSEMBLY INSTRUCTION





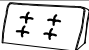

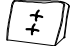








SECTIONAL SOFA WITH AN OTTOMAN

Thank you for purchasing this quality product. Be sure to check all packing material carefully for small parts, which may have come loose inside the carton during shipment. Identify and count all parts and compare with the **HARDWARE LIST** below.






Caution: Please read instructions thoroughly before unpacking assembly parts. Sharp, exposed staple tips can cause injury, therefore, for your production, please remove any exposed staples used in packing.

1. We recommend that you assemble this product with the assistance of another person; this will make assembly easier, and will help to eliminate damage to the product or injury to persons during assembly.
2. Please do not over tighten screws or bolt until the assembly is completed.
3. Please put all parts on a non-abrasive floor before assembly, and follow the assembly steps to assemble your sofa.

PARTS LIST

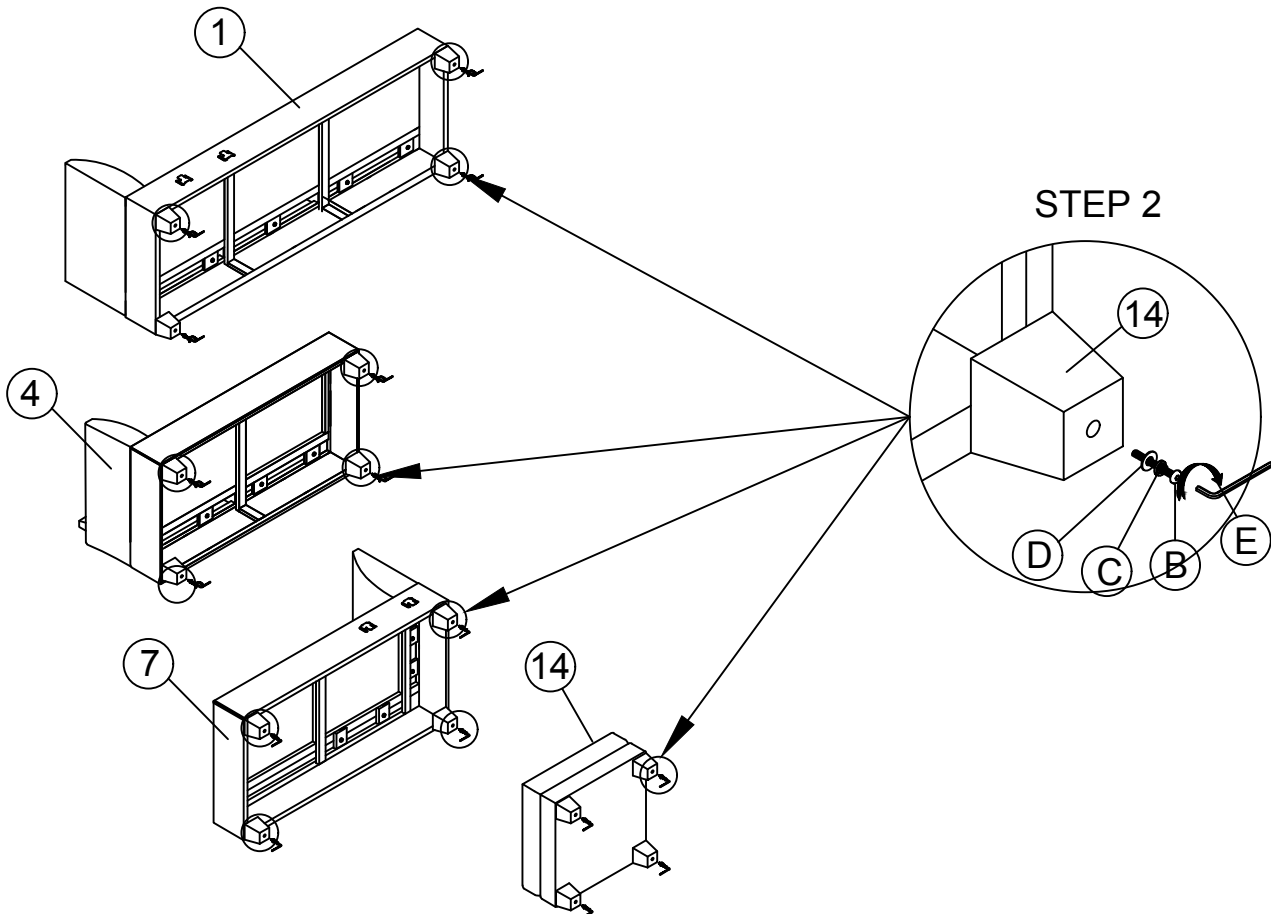
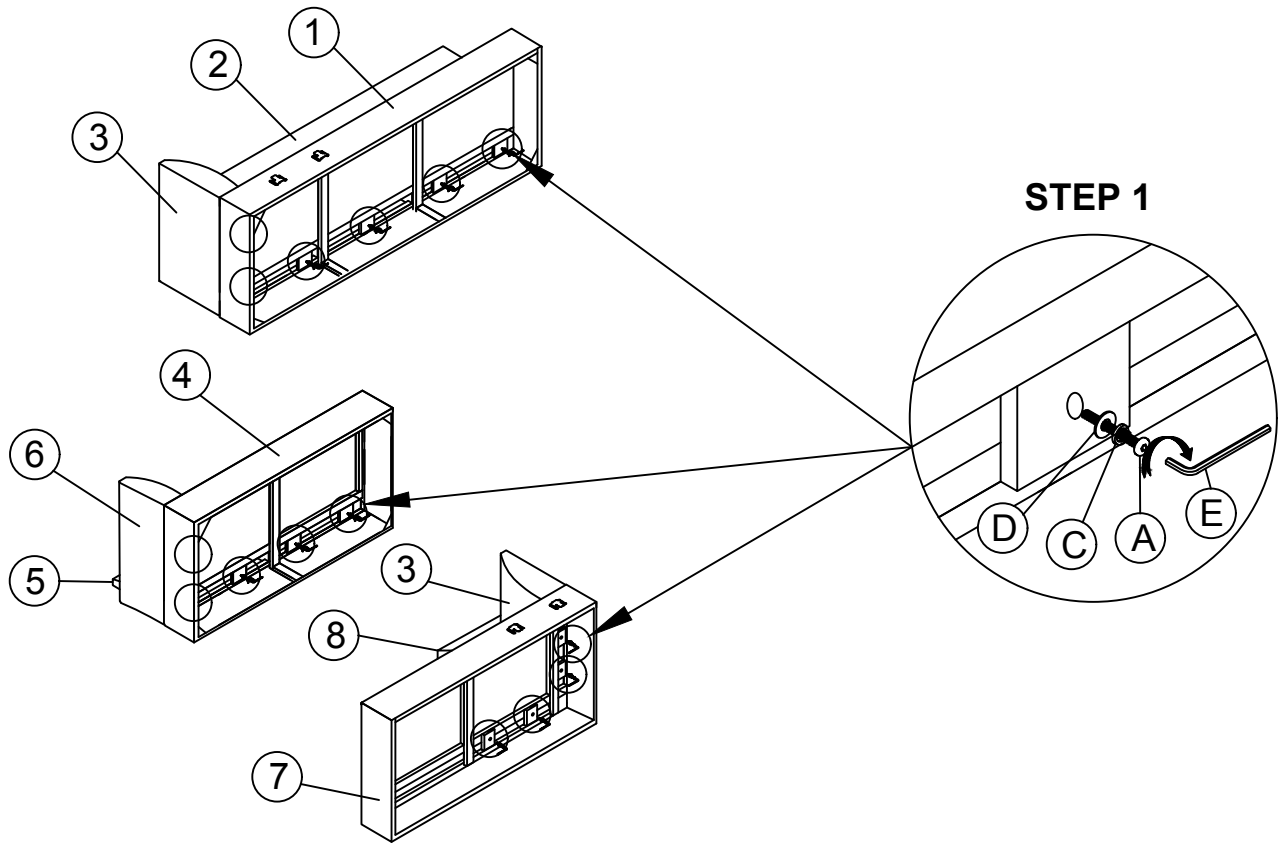
No	Description	Sketch	Q'ty				
				9	Seat Cushion		6PCS
1	Sofa Body		1PC	10	Big Seat Cushion		1PC
2	Sofa Back Frame		1PC	11	Back Cushion		5PCS
3	Short Back Frame		2PCS	12	Small Back Cushion		2PC
4	Loveseat Body		1PC	13	Ottoman		1PC
5	Loveseat Back Frame		1PC	14	Wooden legs		16PCS
6	Armrest Left		1PC	15	Pillow		2PCS
7	Chair Body		1PC				
8	Armrest Right		1PC				

HARDWARE LIST

No	Description	Sketch	Q'ty
A	Bolt 5/16x50mm		17 PCS
B	Bolt 5/16x60mm		16 PCS
C	Spring Washer 5/16		33 PCS
D	Flat Washer 5/16		33 PCS
E	Allen Key		4 PCS

ASSEMBLY INSTRUCTION

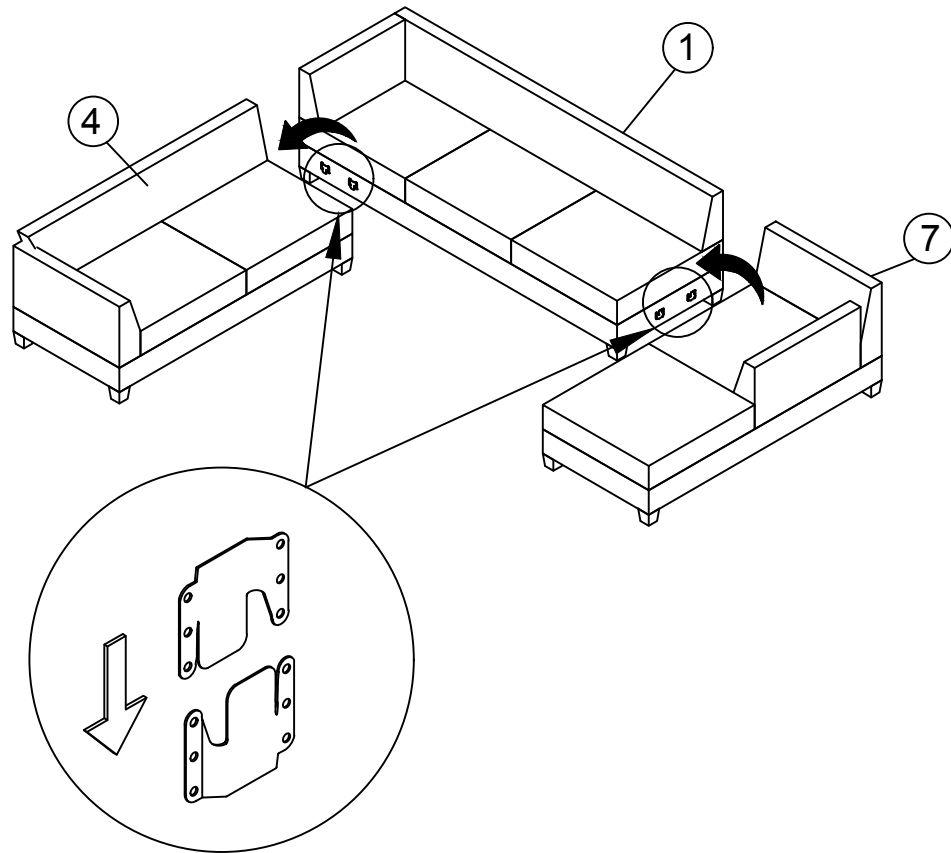
SECTIONAL SOFA WITH AN OTTOMAN



ASSEMBLY INSTRUCTION

SECTIONAL SOFA WITH AN OTTOMAN

STEP 3



STEP 4

