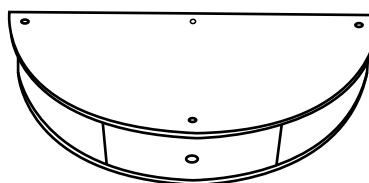


Note: A&B are assembled together when packing.
You should need to separate them in Step 1.

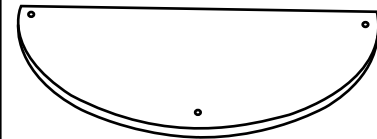
X3

C



X1

D



X1

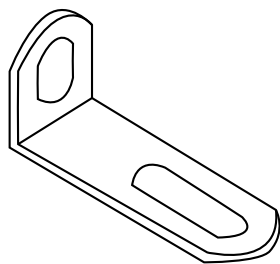
E



6*30MM

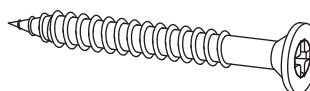
X1

F



X1

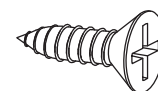
G



4*35MM

X1

H



4*12MM

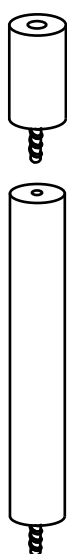
X1

①

Remove



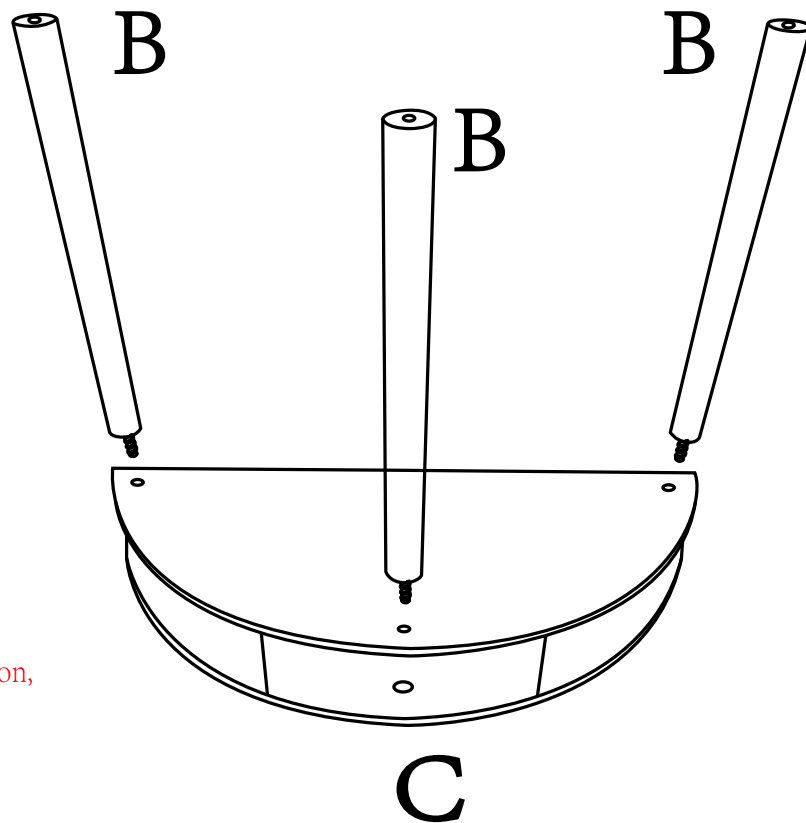
A



A

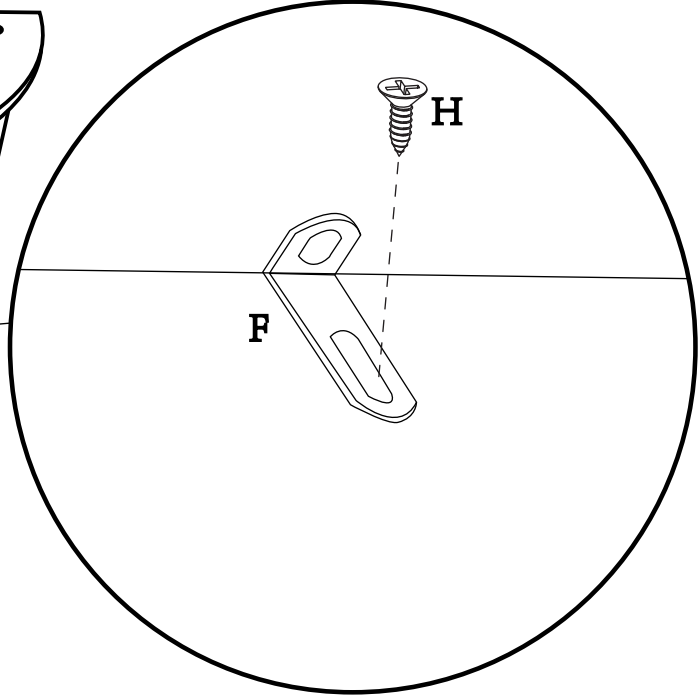
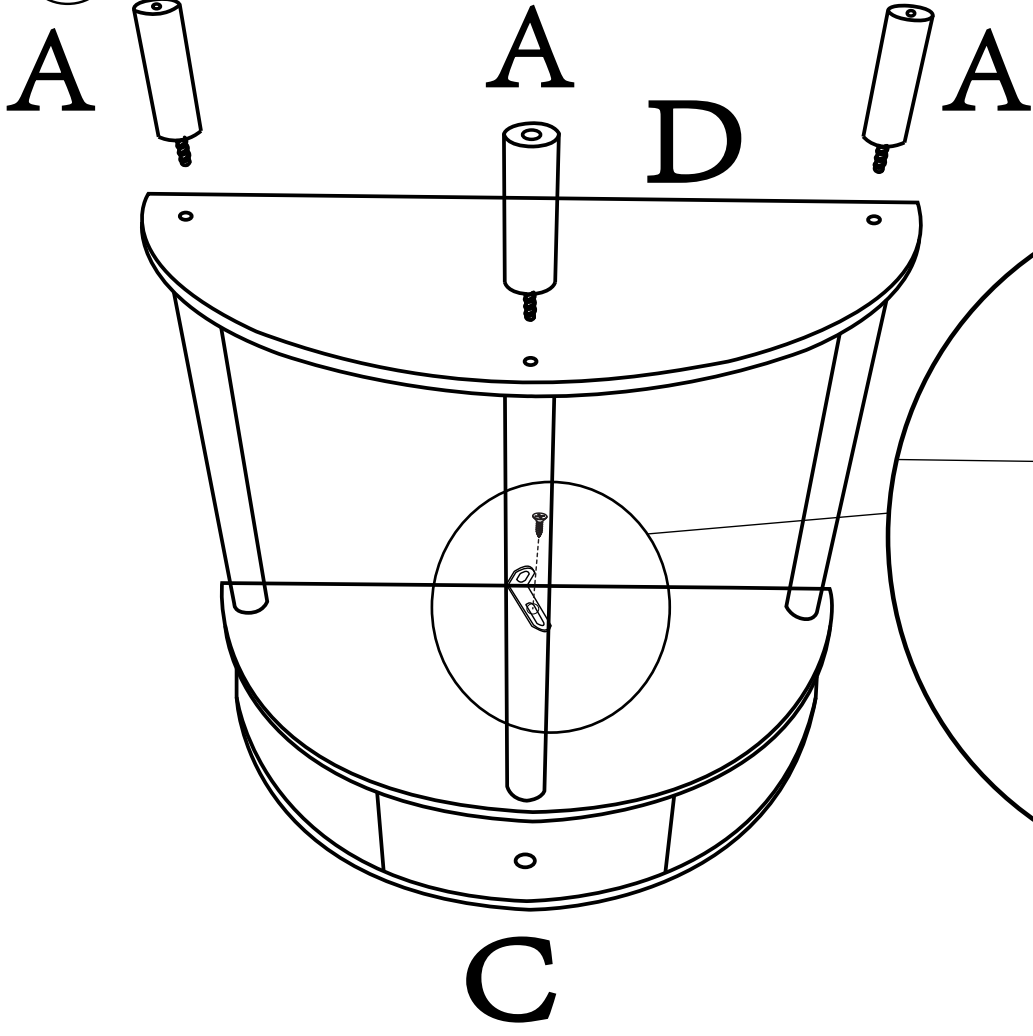
B

②



Note: In order to ensure the safety of part B during transportation,
We will fix A on B when packaging.
Assembly Step 1: Remove leg A, divide into A and B.

3



4

